



US00D829845S

(12) **United States Design Patent**  
**Oglesby**

(10) **Patent No.:** **US D829,845 S**

(45) **Date of Patent:** **\*\* Oct. 2, 2018**

(54) **FLUTED BARREL**

(71) Applicant: **Paul A. Oglesby**, Darley (GB)

(72) Inventor: **Paul A. Oglesby**, Darley (GB)

(\*\*) Term: **15 Years**

(21) Appl. No.: **29/623,928**

(22) Filed: **Oct. 27, 2017**

**Related U.S. Application Data**

(63) Continuation-in-part of application No. 29/606,087, filed on Jun. 1, 2017, which is a continuation of application No. 29/597,721, filed on Mar. 20, 2017.

(51) **LOC (11) Cl.** ..... **22-01**

(52) **U.S. Cl.**  
USPC ..... **D22/108**

(58) **Field of Classification Search**  
USPC ..... D22/100, 101, 103, 104, 108-110;  
D7/566; D9/641; D25/126, 128, 129;  
215/400; D26/46, 49, 37, 38, 40, 51;  
D8/83  
CPC ..... F41A 21/325; F41A 21/00; F41A 31/00;  
F41A 21/30; F41B 5/00; F41C 27/00  
See application file for complete search history.

(56) **References Cited**

**U.S. PATENT DOCUMENTS**

D279,812 S *	7/1985	Cellini	89/14.3
D349,147 S *	7/1994	Gwinn, Jr.	D22/108
D378,186 S *	2/1997	Braun	D8/107
D393,318 S *	4/1998	Wolter	D24/133
6,425,310 B1 *	7/2002	Champion	F41A 21/30
			89/14.3
D471,096 S *	3/2003	Thorne	D9/641
D473,961 S *	4/2003	Galli	D26/49
D557,844 S *	12/2007	Shiu	D26/44

(Continued)

**OTHER PUBLICATIONS**

Volquartsen I-Fluted Barrel, MidwayUSA.com, [online], [site visited Apr. 16, 2018]. <URL: <https://www.midwayusa.com/product/>

1018548415/volquartsen-i-fluted-barrel-s-and-w-sw22-victory-22-long-rifle-6-1-2-28-threaded-muzzle-with-forward-blow-comp-stainless-steel> (Year: 2018).\*

(Continued)

*Primary Examiner* — T Chase Nelson

*Assistant Examiner* — Jonathan J. Han

(74) *Attorney, Agent, or Firm* — Shaddock Law Group, PC

(57) **CLAIM**

The ornamental design for a fluted barrel, as shown and described.

**DESCRIPTION**

FIG. 1 is an upper, right, front perspective view of an exemplary embodiment of the fluted barrel, showing my new design;

FIG. 2 is an upper, left, front perspective view thereof;

FIG. 3 is an upper, right, rear perspective view thereof;

FIG. 4 is an lower, left, rear perspective view thereof;

FIG. 5 is a right side view thereof;

FIG. 6 is a left side view thereof;

FIG. 7 is a top plan view thereof;

FIG. 8 is a bottom plan view thereof;

FIG. 9 is a front, cross-sectional view taken along line 9-9 of FIG. 5;

FIG. 10 is a front, cross-sectional view taken along line 10-10 of FIG. 5;

FIG. 11 is a rear, cross-sectional view taken along line 11-11 of FIG. 6;

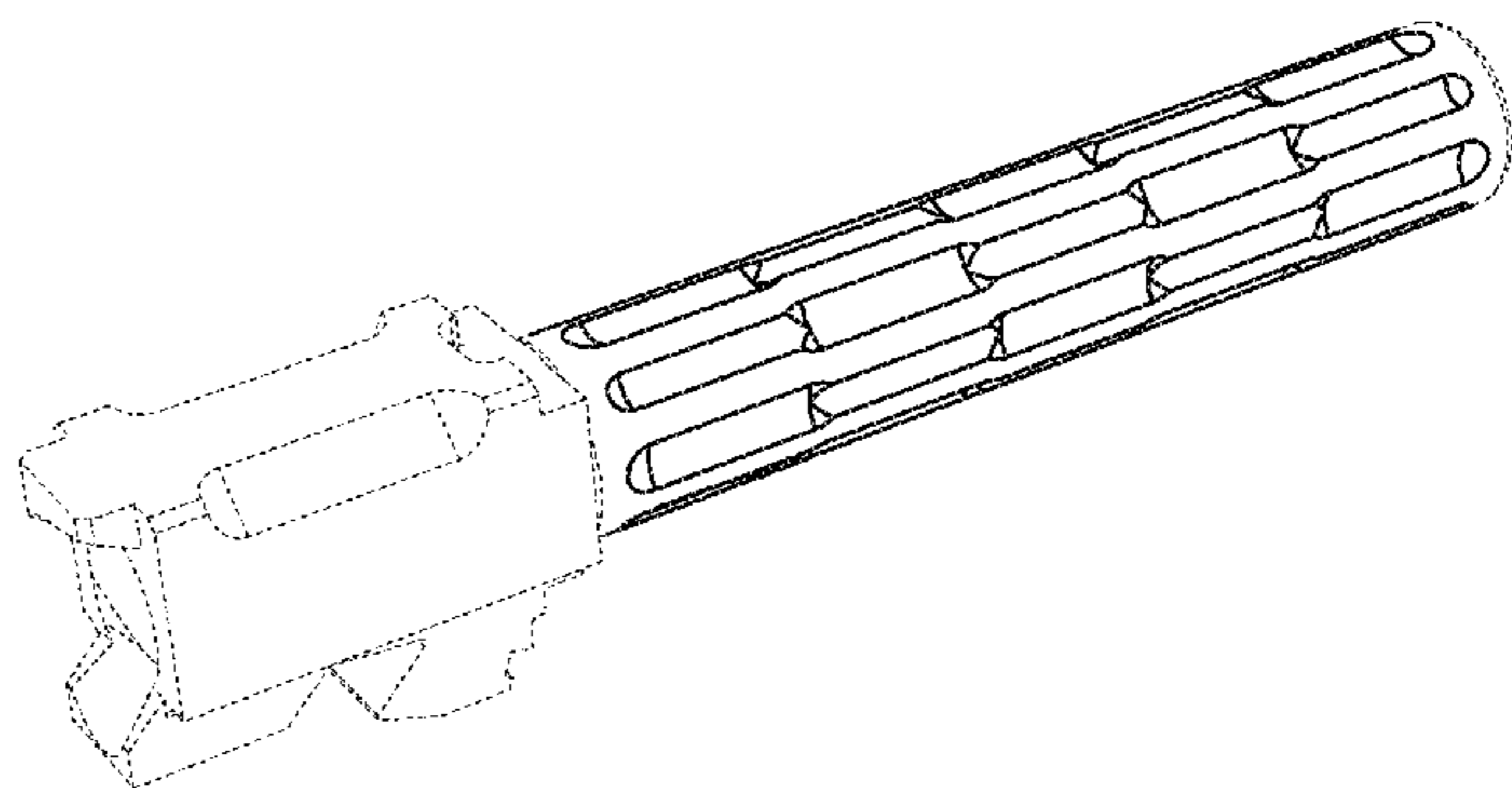
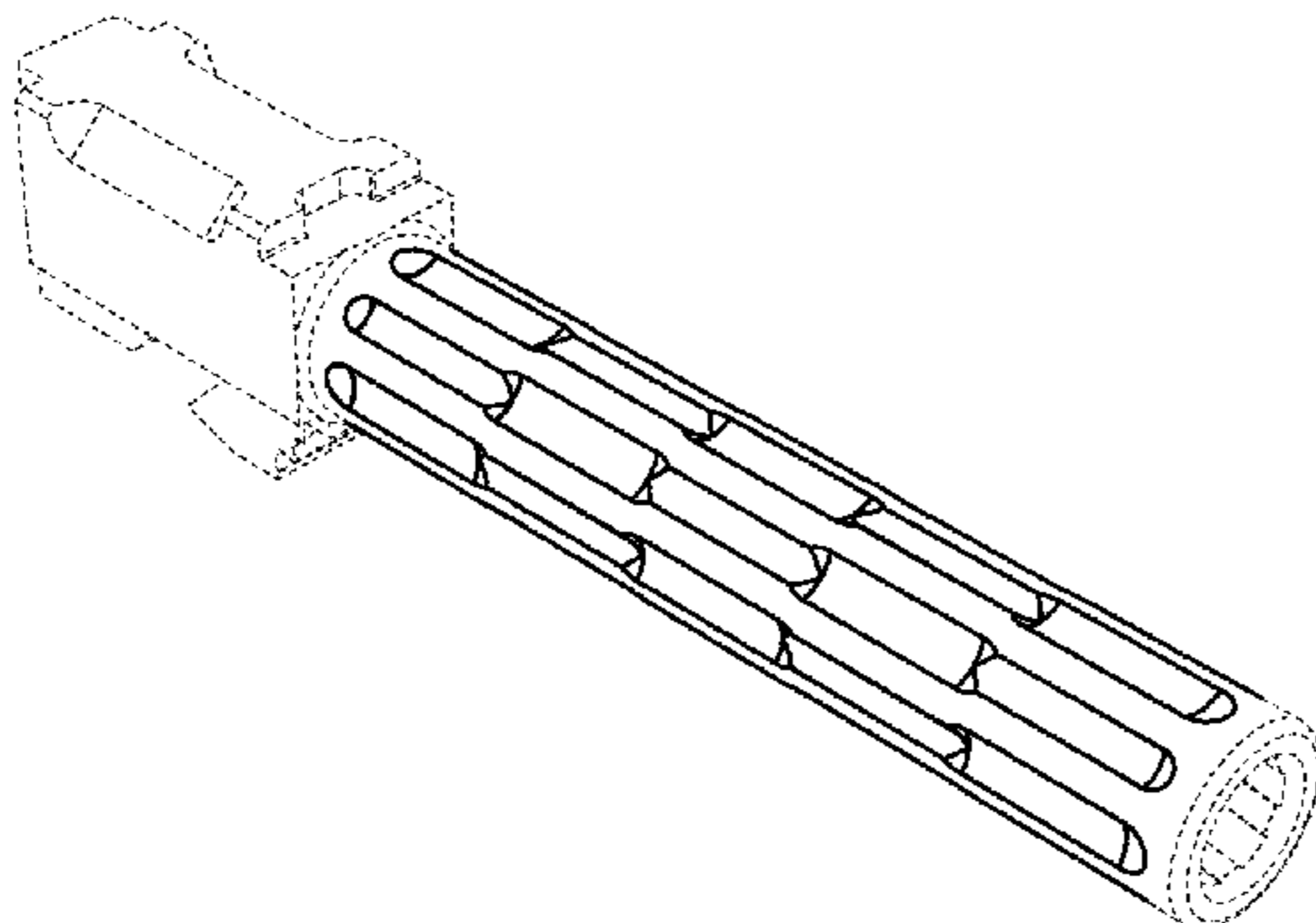
FIG. 12 is a rear, cross-sectional view taken along line 12-12 of FIG. 6;

FIG. 13 is a front view thereof; and,

FIG. 14 is a front view thereof.

The broken lines shown throughout the various figures depict additional structures that form no part of the claimed design.

**1 Claim, 7 Drawing Sheets**



(56)

References Cited

U.S. PATENT DOCUMENTS

D577,843 S \* 9/2008 Couture ..... D26/49  
 D606,687 S \* 12/2009 Kim ..... D26/46  
 D682,974 S \* 5/2013 Honigmann ..... D22/108  
 D702,982 S \* 4/2014 DeMaria ..... D7/301  
 D720,420 S \* 12/2014 Chvala ..... D22/108  
 D738,985 S \* 9/2015 Montes ..... D22/108  
 D754,899 S \* 4/2016 Cooper ..... D26/44  
 D764,621 S \* 8/2016 Dueck ..... D22/108  
 D767,706 S \* 9/2016 Shults ..... D22/108  
 9,513,078 B1 \* 12/2016 Fulton ..... F41A 21/30  
 D780,356 S \* 2/2017 Nguyen ..... D26/49  
 D780,875 S \* 3/2017 Sylvester ..... D22/108  
 D792,549 S \* 7/2017 McKillips ..... D22/108  
 D795,986 S \* 8/2017 Frederickson ..... D22/108  
 D808,472 S \* 1/2018 Chen ..... D21/573  
 D809,084 S \* 1/2018 Geissele ..... D22/108  
 D811,636 S \* 2/2018 Galli ..... D26/49  
 2002/0023522 A1 \* 2/2002 Layaou ..... B25B 13/102  
 81/124.5  
 2010/0139145 A1 \* 6/2010 Brittingham ..... F41A 21/325  
 42/90  
 2010/0192932 A1 \* 8/2010 Brewster ..... F41B 5/1407  
 124/89  
 2013/0180150 A1 \* 7/2013 Dueck ..... F41A 21/325  
 42/90  
 2014/0231168 A1 \* 8/2014 Dueck ..... F41A 21/325  
 181/223  
 2014/0237881 A1 \* 8/2014 Mack ..... F41A 21/325  
 42/90  
 2016/0216055 A1 \* 7/2016 Wilkinson ..... F41A 5/28  
 2017/0038172 A1 \* 2/2017 Palu ..... F41A 21/30

OTHER PUBLICATIONS

M&P Full Size Flame Fluted Barrel, FaxonFirearms.com, [online], [site visited Apr. 16, 2018]. <URL: <http://faxonfirearms.com/m-p-full-size-flame-fluted-barrel-9mm-416-r-nitride-non-threaded-rainbow-coated/>> (Year: 2018).\*

Volquartsen Barrels for SW22 Pistol, TheFirearmBlog.com, Posted Jan. 13, 2016 by Richard Johnson, [online], [site visited Apr. 16, 2018]. <URL: <http://www.thefirearmblog.com/blog/2016/01/13/volquartsen-barrels-for-sw22-pistol/>> (Year: 2016).\*

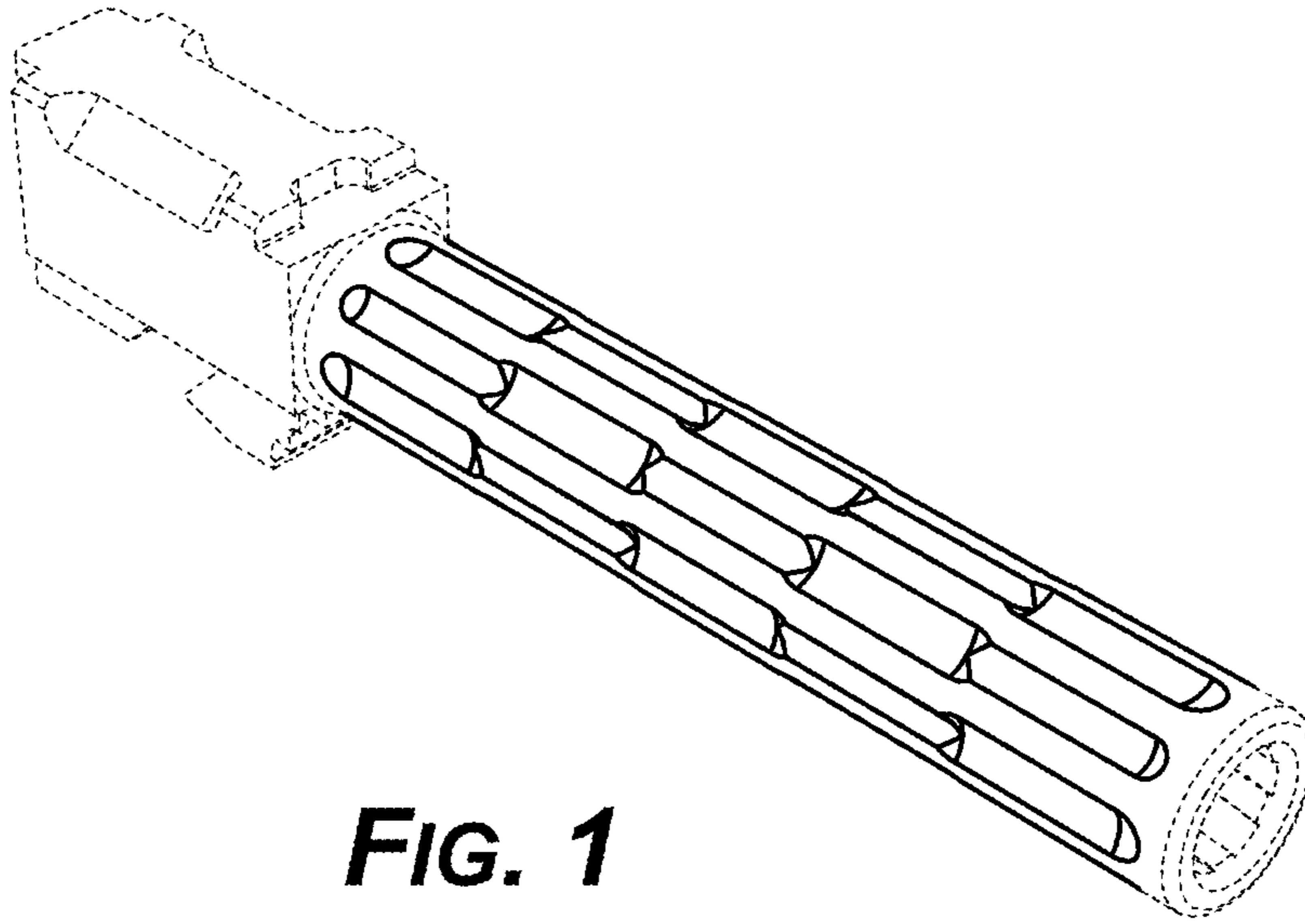
True Precision Glock 26 Match Grade X-Fluted Barrel, WingTactical.com, [online], [site visited Apr. 16, 2018]. <URL: <https://www.wingtactical.com/firearm-parts/handgun/handgun-barrels-accessories/glock-barrels/true-precision-glock-26-match-grade-x-fluted-barrel/>> (Year: 2018).\*

Glock 9INE G19 Non-Threaded Upgrade Barrel (Black), Lantac-USA.com, [online], [site visited Apr. 16, 2018]. <URL: <https://www.lantac-usa.com/product-page/glock-9ine-g19-non-threaded-barrel/>> (Year: 2018).\*

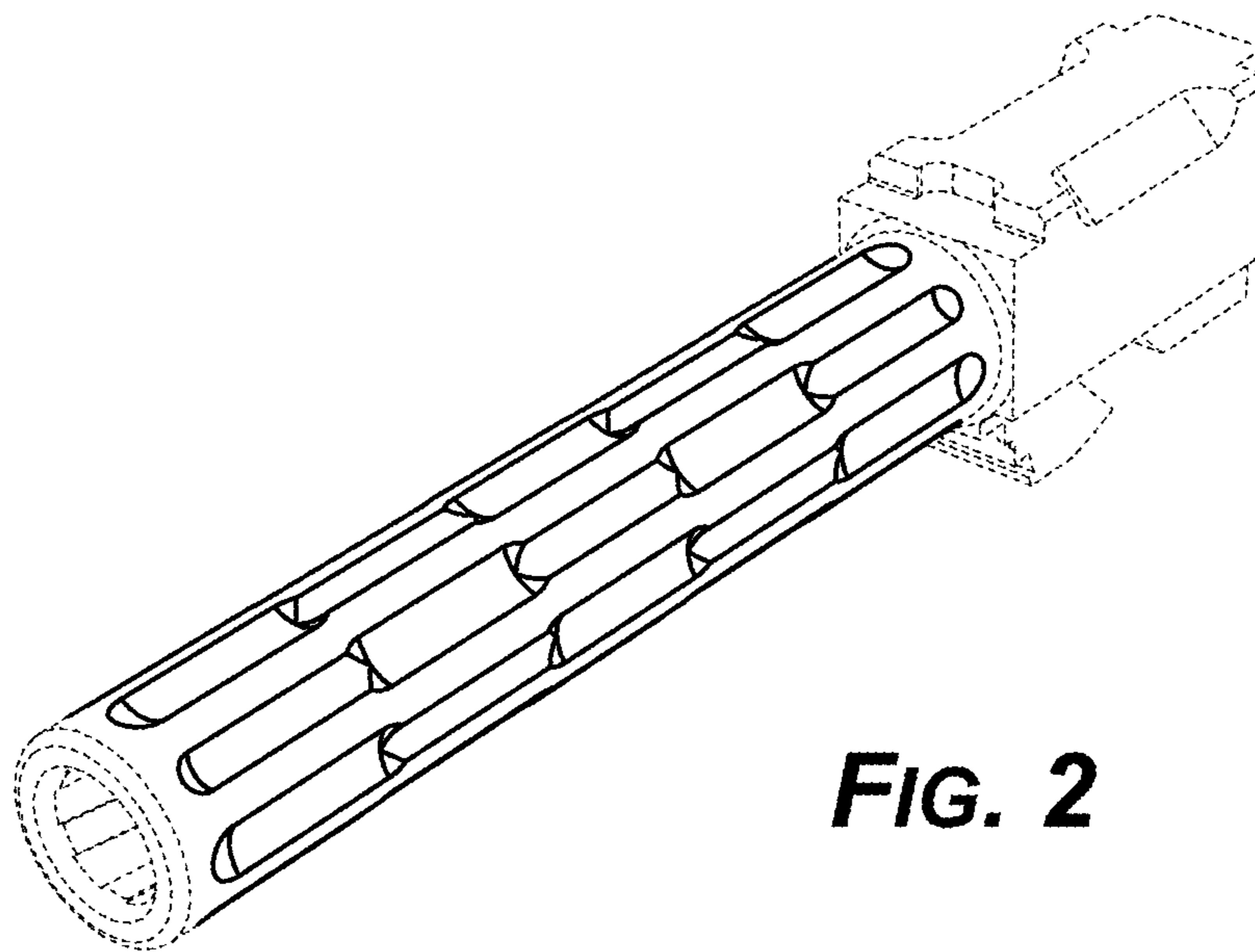
Glock 9INE G17 Threaded Upgrade Barrel (Stainless), Lantac-USA.com, [online], [site visited Apr. 16, 2018]. <URL: <https://www.lantac-usa.com/product-page/glock-9ine-g17-threaded-stainless/>> (Year: 2018).\*

We Need to Talk about the Lantac Glock Barrel, YouTube.com, Tactical Toolbox, Published on Dec. 12, 2017, [online], [site visited Apr. 16, 2018]. <URL: [https://www.youtube.com/watch?v=GpUhmF\\_CFrS](https://www.youtube.com/watch?v=GpUhmF_CFrS)> (Year: 2017).\*

\* cited by examiner

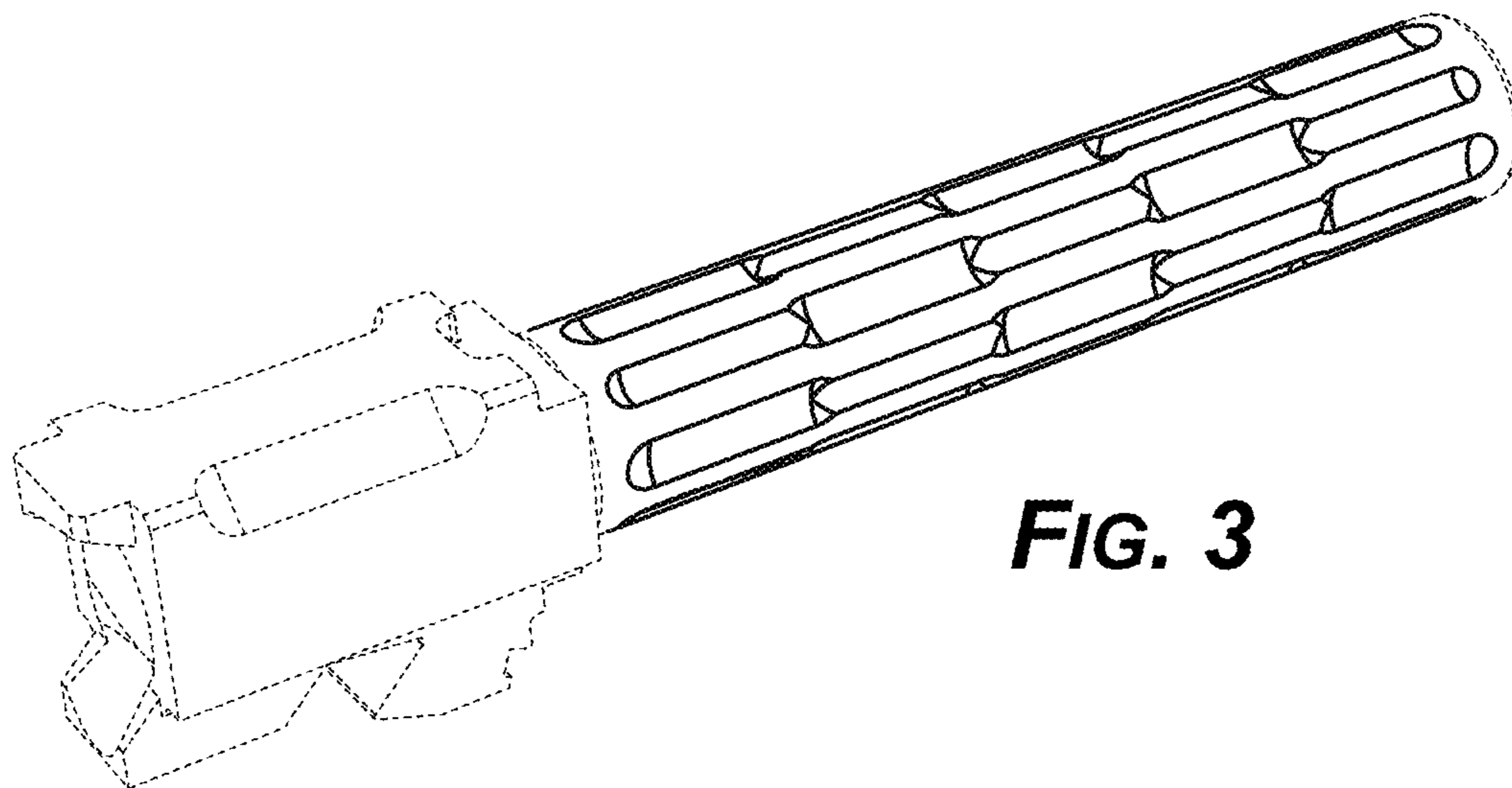


**FIG. 1**

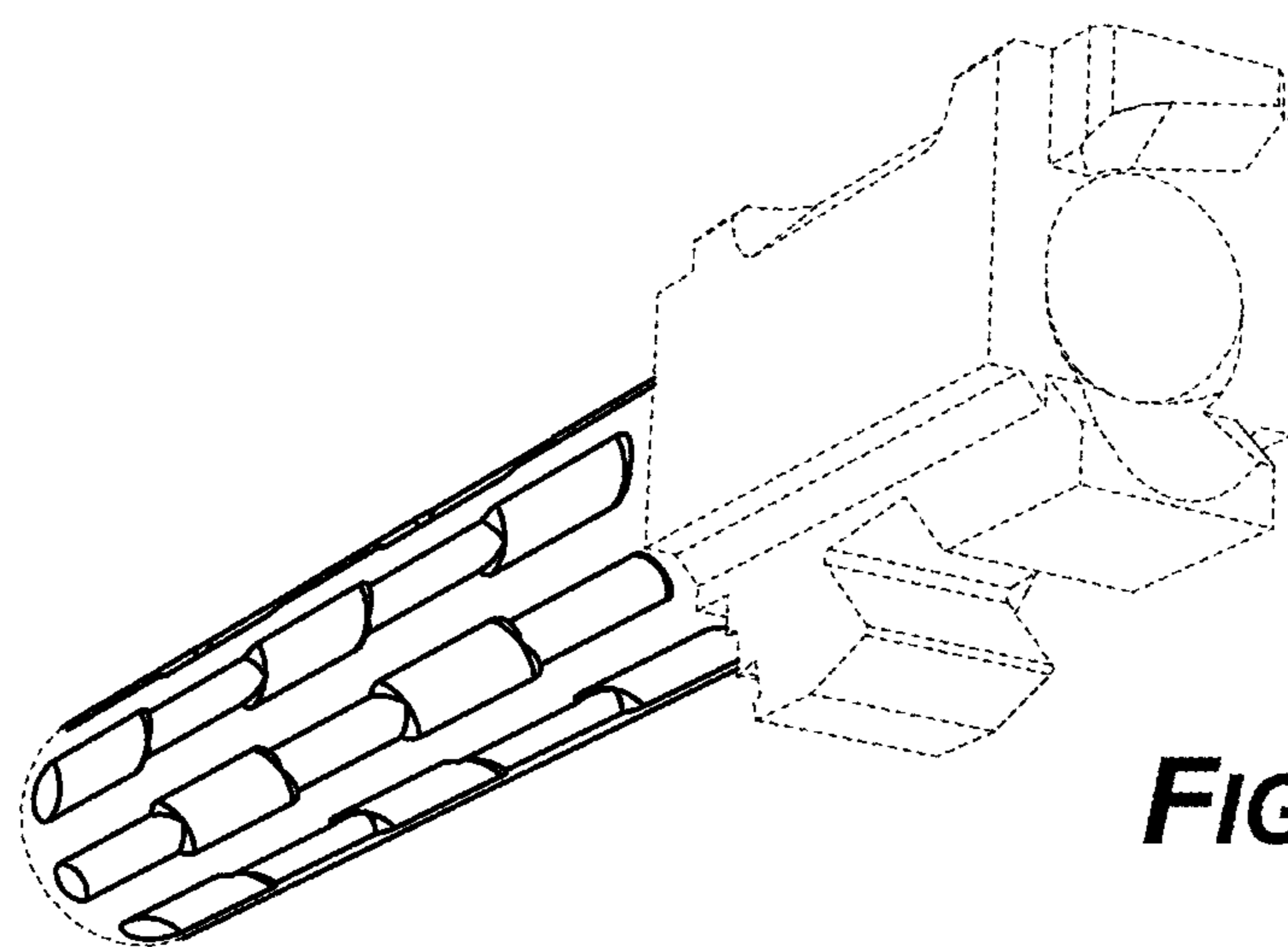


**FIG. 2**

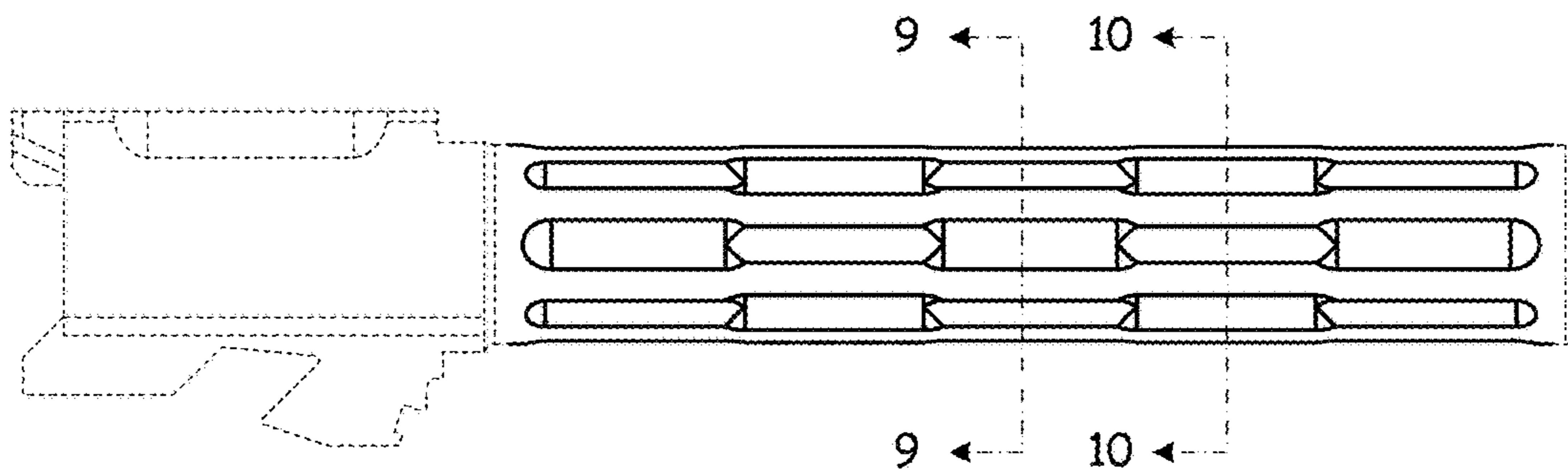




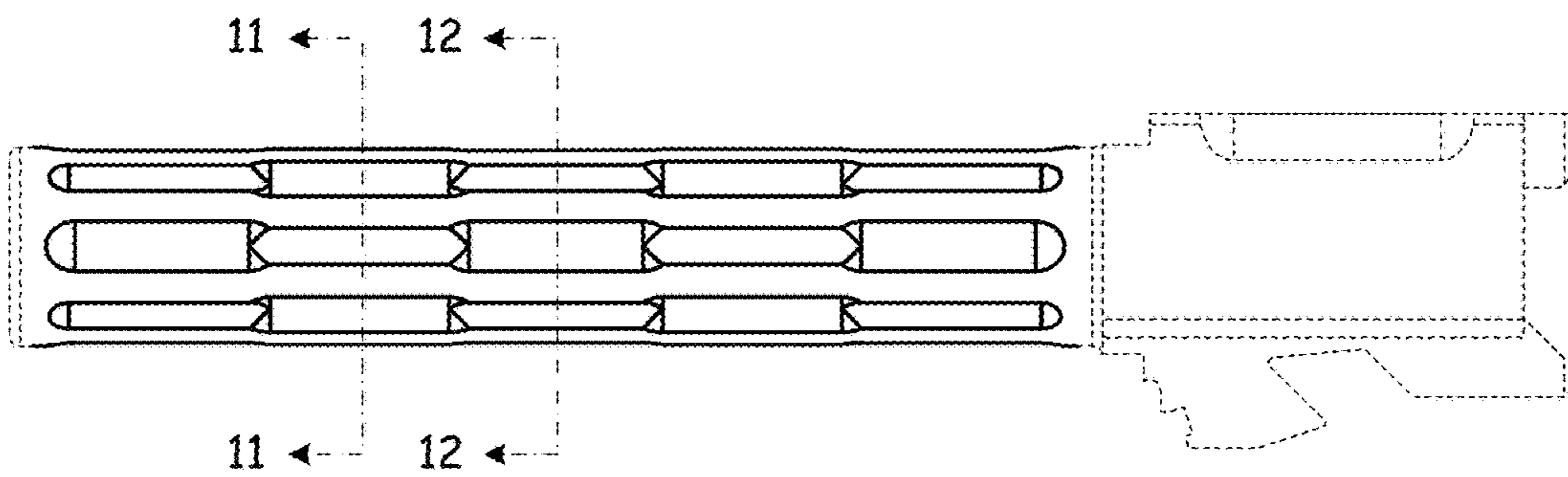
**FIG. 3**



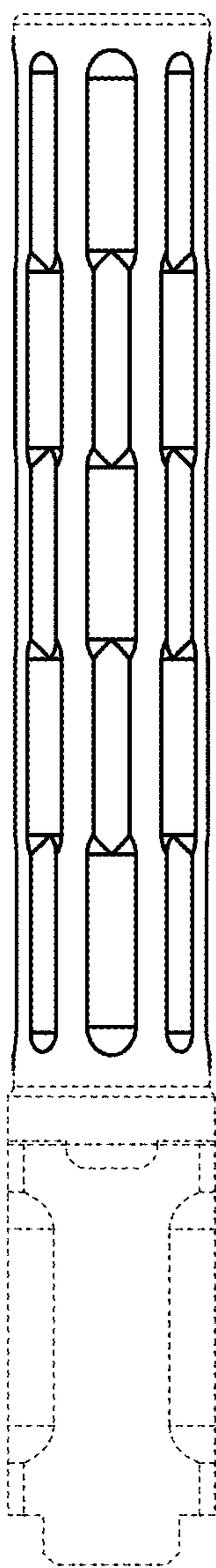
**FIG. 4**



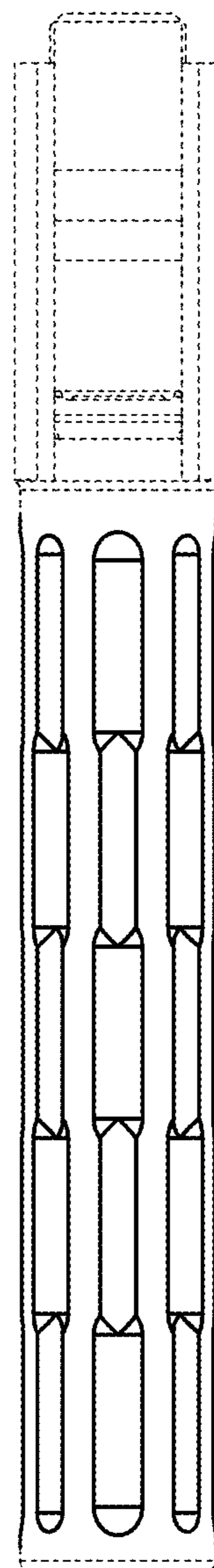
**FIG. 5**



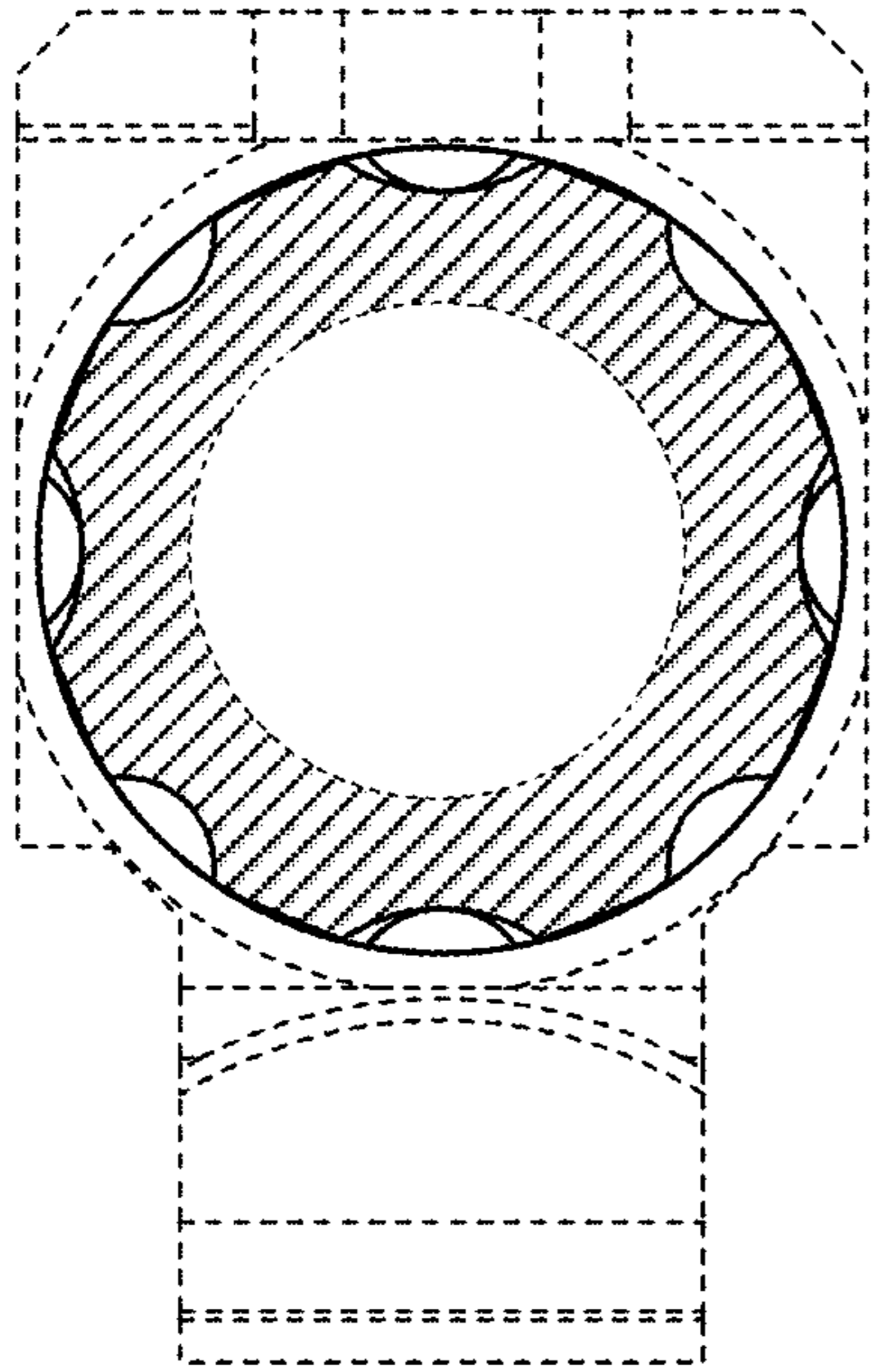
**FIG. 6**



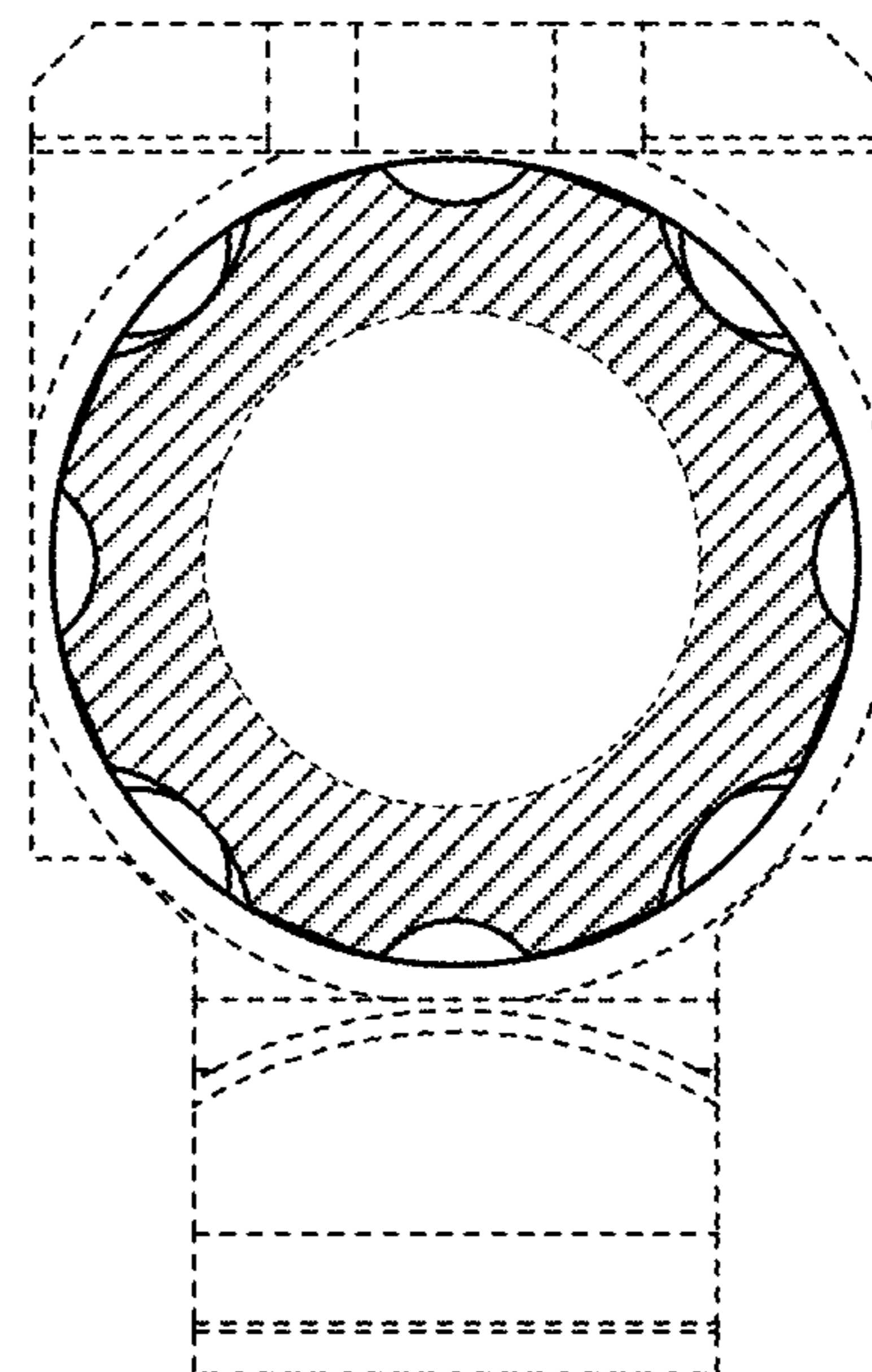
**FIG. 7**



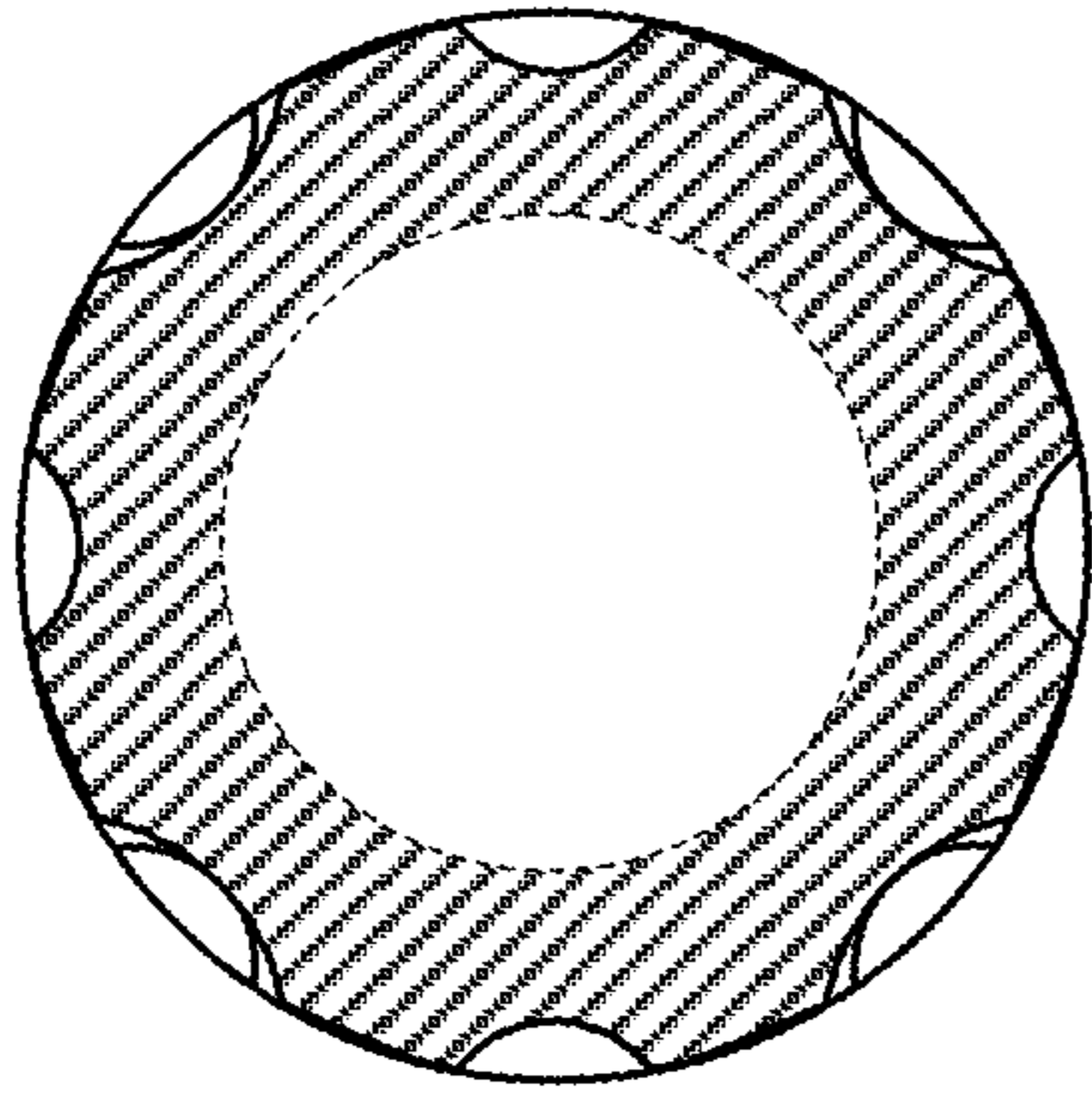
**FIG. 8**



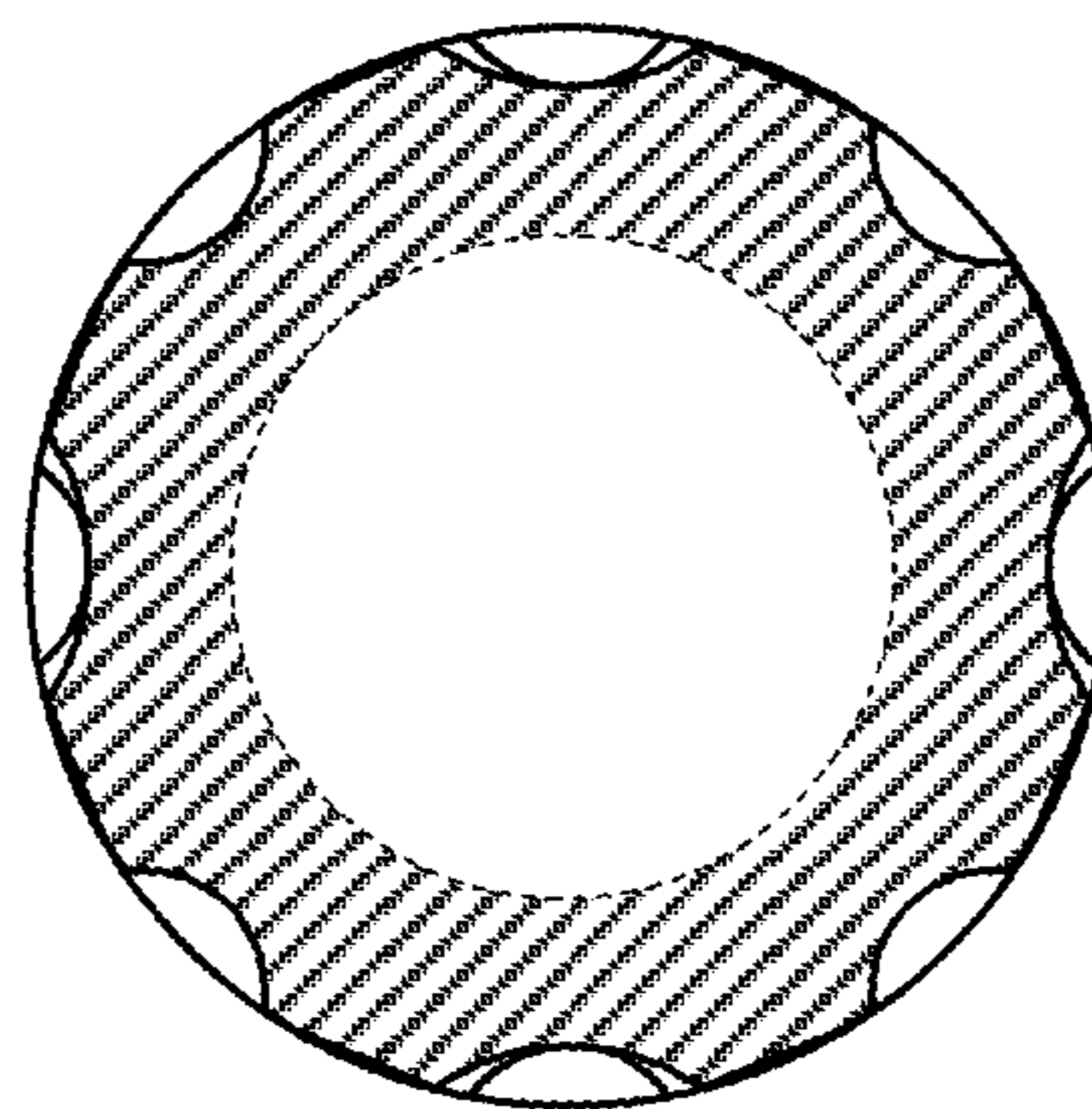
**FIG. 9**



**FIG. 10**

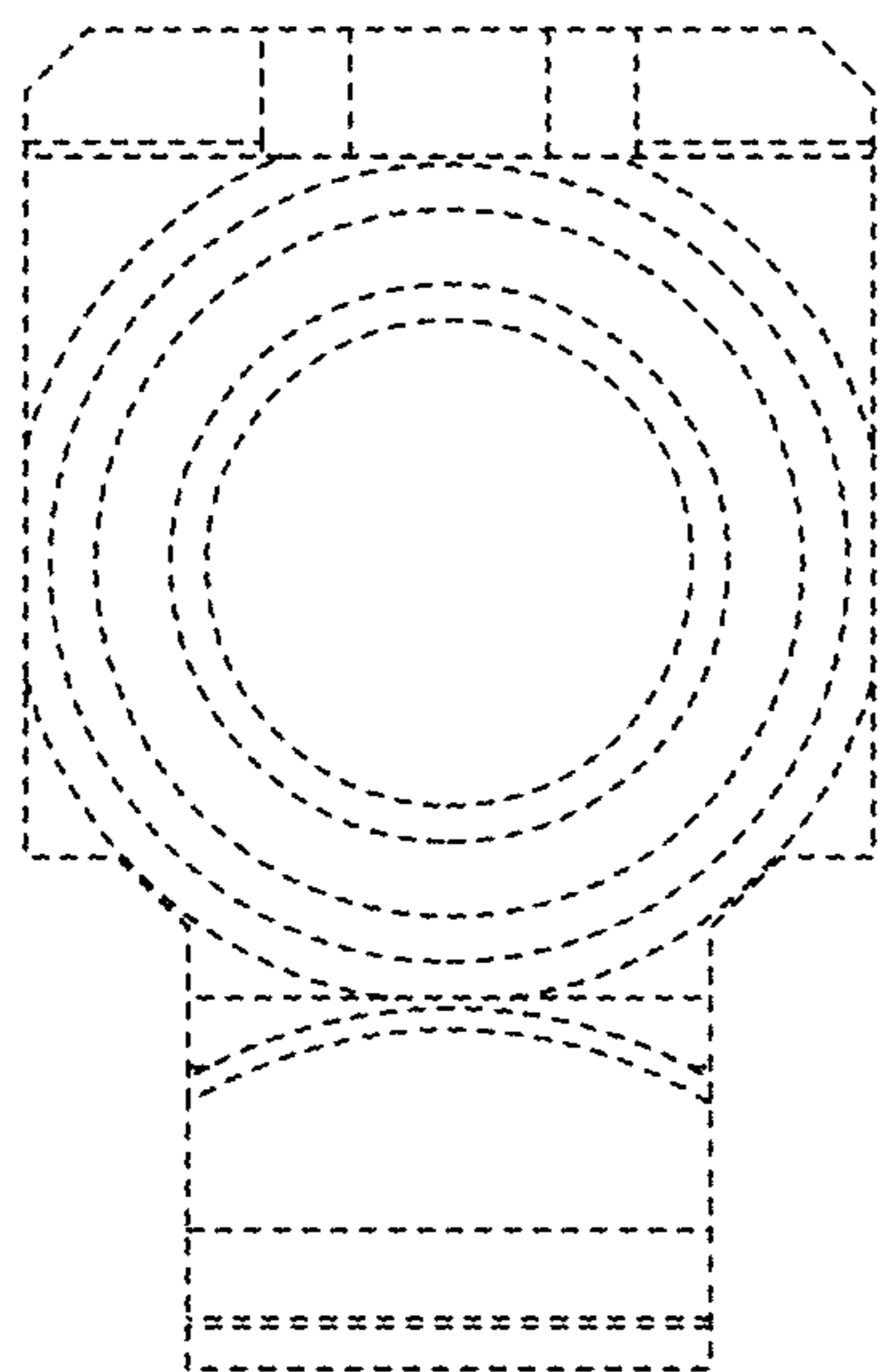


**FIG. 11**

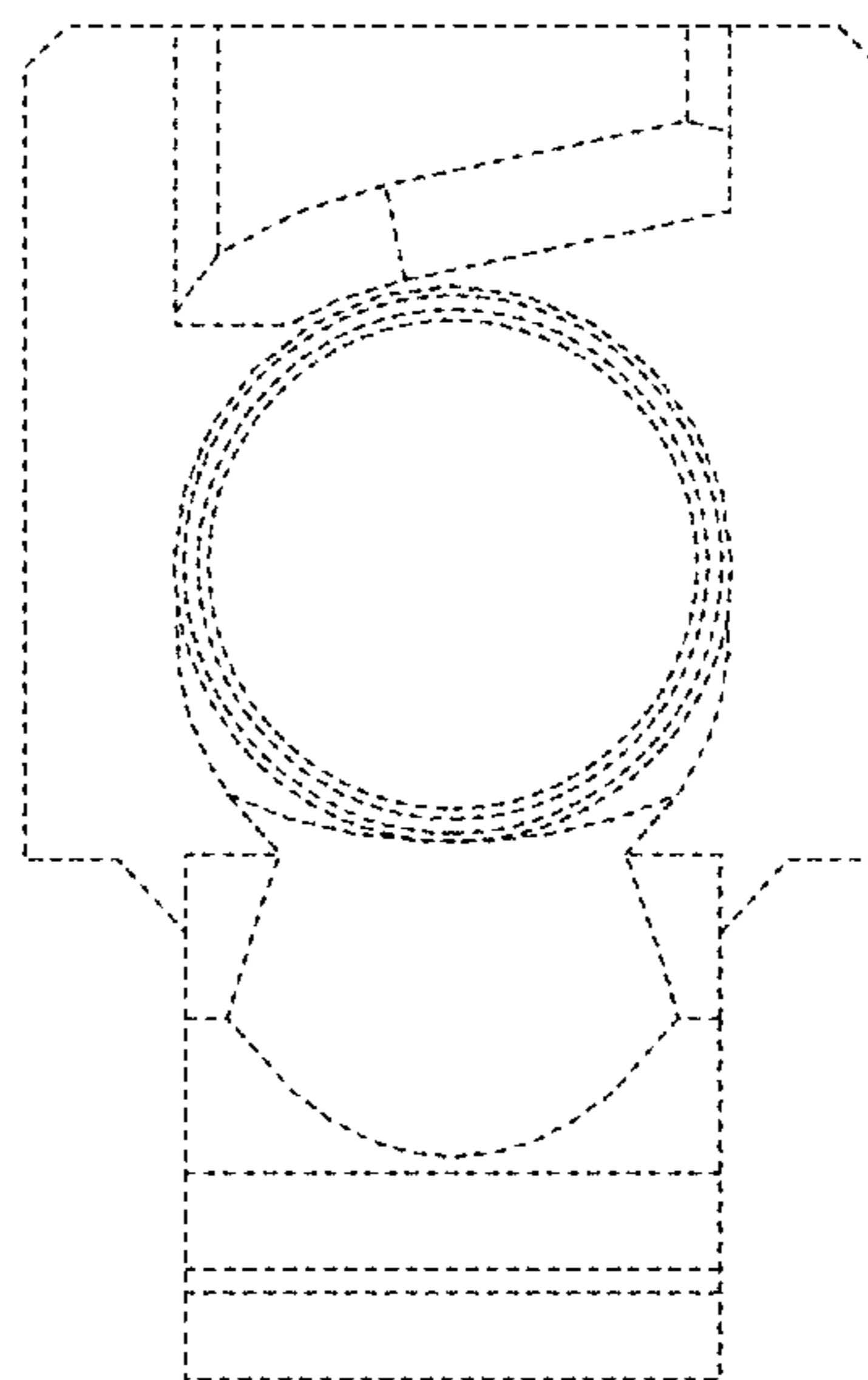


**FIG. 12**





**FIG. 13**



**FIG. 14**