



US00D829843S

(12) **United States Design Patent**
Oglesby

(10) **Patent No.:** **US D829,843 S**

(45) **Date of Patent:** **** Oct. 2, 2018**

(54) **BARREL WITH FLUTING PATTERN**

(71) Applicant: **Paul A. Oglesby**, Darley (GB)

(72) Inventor: **Paul A. Oglesby**, Darley (GB)

(**) Term: **15 Years**

(21) Appl. No.: **29/606,087**

(22) Filed: **Jun. 1, 2017**

Related U.S. Application Data

(63) Continuation-in-part of application No. 29/597,721, filed on Mar. 20, 2017.

(51) **LOC (11) Cl.** **22-01**

(52) **U.S. Cl.**
USPC **D22/108**

(58) **Field of Classification Search**
USPC D22/100, 101, 103, 104, 108-110;
D7/566; D9/641; D25/126, 128, 129;
215/400; D26/46, 49, 37, 38, 40, 51;
D8/83
CPC F41A 21/325; F41A 21/00; F41A 31/00;
F41A 21/30; F41B 5/00; F41C 27/00
See application file for complete search history.

(56) **References Cited**

U.S. PATENT DOCUMENTS

D279,812 S *	7/1985	Cellini	89/14.3
D349,147 S *	7/1994	Gwinn, Jr.	D22/108
D378,186 S *	2/1997	Braun	D8/107
D393,318 S *	4/1998	Wolter	D24/133
6,425,310 B1 *	7/2002	Champion	F41A 21/30 89/14.3
D471,096 S *	3/2003	Thorne	D9/641
D473,961 S *	4/2003	Galli	D26/49

(Continued)

OTHER PUBLICATIONS

Volquartsen I-Fluted Barrel, MidwayUSA.com, [online], [site visited Apr. 16, 2018]. <URL: <https://www.midwayusa.com/product/>>

1018548415/volquartsen-i-fluted-barrel-s-and-w-sw22-victory-22-long-rifle-6-1-2-28-threaded-muzzle-with-forward-blow-comp-stainless-steel> (Year: 2018).*

(Continued)

Primary Examiner — T Chase Nelson

Assistant Examiner — Jonathan J. Han

(74) *Attorney, Agent, or Firm* — Shaddock Law Group, PC

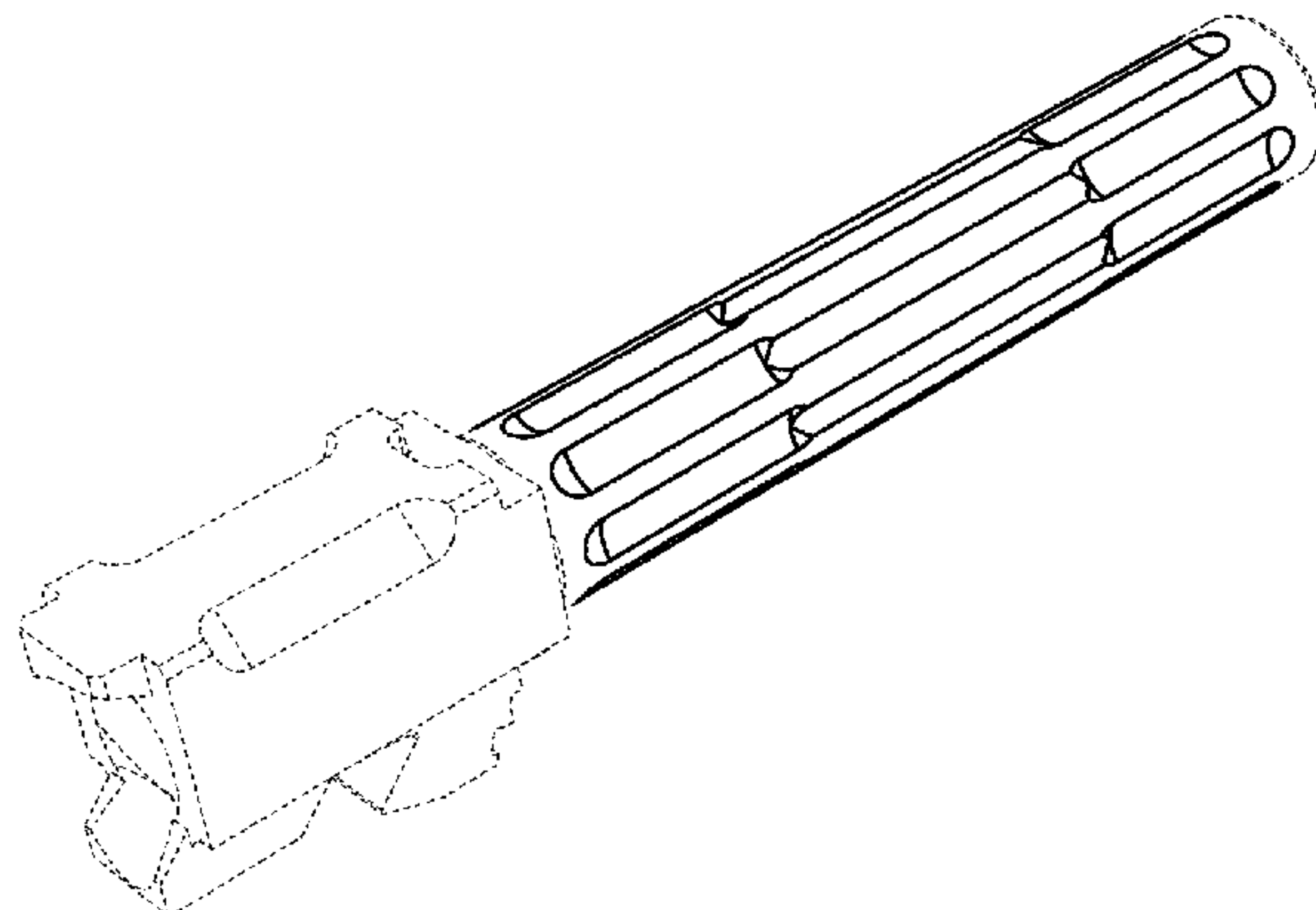
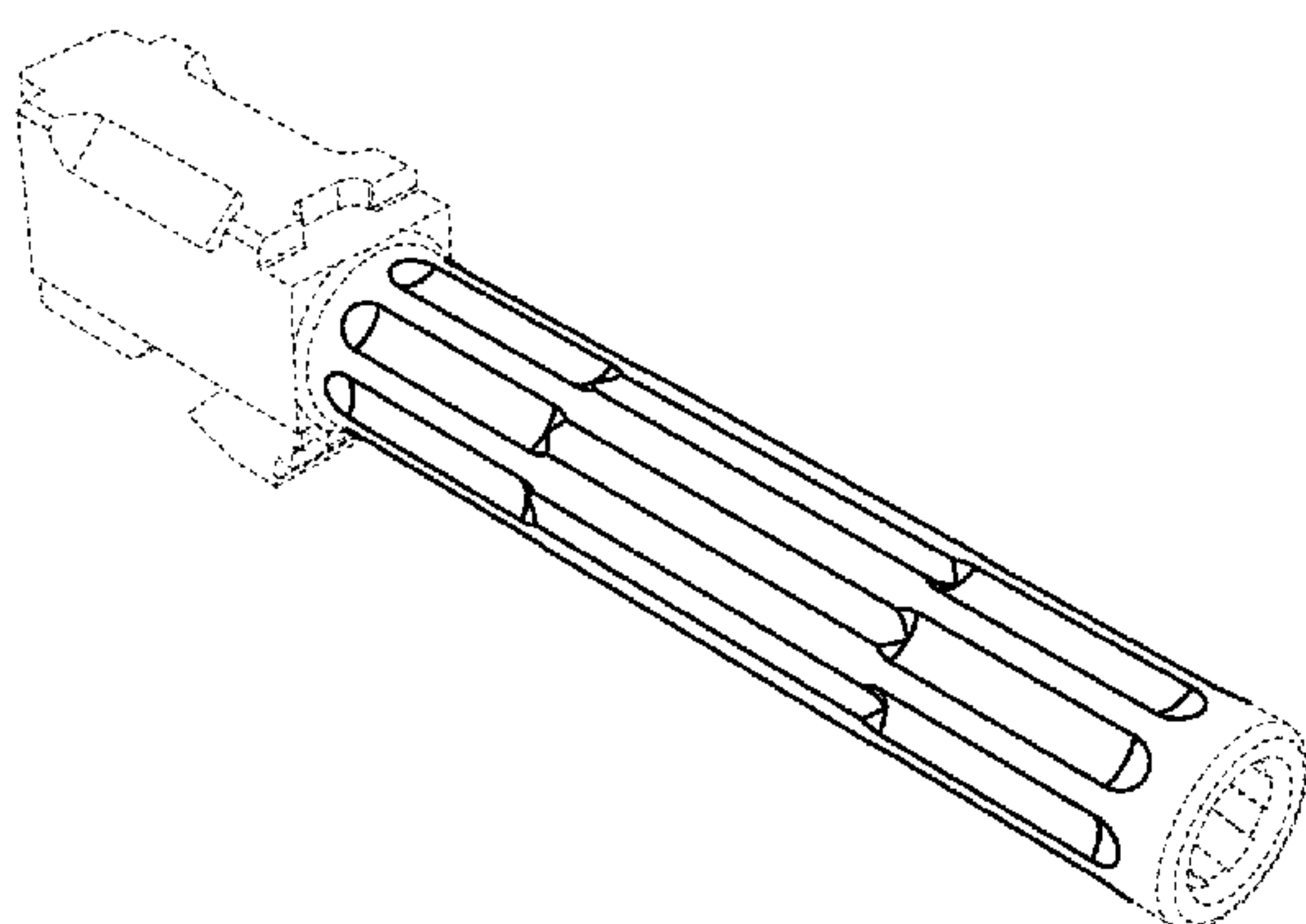
(57) **CLAIM**

The ornamental design for a barrel with fluting pattern, as shown and described.

DESCRIPTION

FIG. 1 is an upper, right, front perspective view of an exemplary embodiment of the barrel with fluting pattern, showing my new design;
FIG. 2 is an upper, left, front perspective view thereof;
FIG. 3 is an upper, right, rear perspective view thereof;
FIG. 4 is an upper, left, rear perspective view thereof;
FIG. 5 is a right side view thereof;
FIG. 6 is a left side view thereof;
FIG. 7 is a top plan view thereof;
FIG. 8 is a bottom plan view thereof;
FIG. 9 is a front, cross-sectional view taken along line 9-9 of FIG. 5;
FIG. 10 is a front, cross-sectional view taken along line 10-10 of FIG. 5;
FIG. 11 is a front, cross-sectional view taken along line 11-11 of FIG. 5;
FIG. 12 is a rear, cross-sectional view taken along line 12-12 of FIG. 6;
FIG. 13 is a rear, cross-sectional view taken along line 13-13 of FIG. 6; and,
FIG. 14 is a rear, cross-sectional view taken along line 14-14 of FIG. 6.
The broken lines shown throughout the various figures depict additional structures that form no part of the claimed design.

1 Claim, 6 Drawing Sheets



(56)

References Cited

U.S. PATENT DOCUMENTS

D557,844 S * 12/2007 Shiu D26/44
 D577,843 S * 9/2008 Couture D26/49
 D606,687 S * 12/2009 Kim D26/46
 D682,974 S * 5/2013 Honigmann D22/108
 D702,982 S * 4/2014 DeMaria D7/301
 D720,420 S * 12/2014 Chvala D22/108
 D738,985 S * 9/2015 Montes D22/108
 D754,899 S * 4/2016 Cooper D26/44
 D764,621 S * 8/2016 Dueck D22/108
 D767,706 S * 9/2016 Shults D22/108
 9,513,078 B1 * 12/2016 Fulton F41A 21/30
 D780,356 S * 2/2017 Nguyen D26/49
 D780,875 S * 3/2017 Sylvester D22/108
 D792,549 S * 7/2017 McKillips D22/108
 D795,986 S * 8/2017 Frederickson D22/108
 D808,472 S * 1/2018 Chen D21/573
 D809,084 S * 1/2018 Geissele D22/108
 D811,636 S * 2/2018 Galli D26/49
 2002/0023522 A1 * 2/2002 Layaou B25B 13/102
 81/124.5
 2010/0139145 A1 * 6/2010 Brittingham F41A 21/325
 42/90
 2010/0192932 A1 * 8/2010 Brewster F41B 5/1407
 124/89
 2013/0180150 A1 * 7/2013 Dueck F41A 21/325
 42/90
 2014/0231168 A1 * 8/2014 Dueck F41A 21/325
 181/223
 2014/0237881 A1 * 8/2014 Mack F41A 21/325
 42/90
 2016/0216055 A1 * 7/2016 Wilkinson F41A 5/28
 2017/0038172 A1 * 2/2017 Palu F41A 21/30

OTHER PUBLICATIONS

M&P Full Size Flame Fluted Barrel, FaxonFirearms.com, [online], [site visited Apr. 16, 2018]. <URL: <http://faxonfirearms.com/m-p-full-size-flame-fluted-barrel-9mm-416-r-nitride-non-threaded-rainbow-coated/>> (Year: 2018).*

Volquartsen Barrels for SW22 Pistol, TheFirearmBlog.com, Posted Jan. 13, 2016 by Richard Johnson, [online], [site visited Apr. 16, 2018]. <URL: <http://www.thefirearmblog.com/blog/2016/01/13/volquartsen-barrels-for-sw22-pistol/>> (Year: 2016).*

True Precision Glock 26 Match Grade X-Fluted Barrel, WingTactical.com, [online], [site visited Apr. 16, 2018]. <URL: <https://www.wingtactical.com/firearm-parts/handgun/handgun-barrels-accessories/glock-barrels/true-precision-glock-26-match-grade-x-fluted-barrel/>> (Year: 2018).*

Glock 9INE G19 Non-Threaded Upgrade Barrel (Black), Lantac-USA.com, [online], [site visited Apr. 16, 2018]. <URL: <https://www.lantac-usa.com/product-page/glock-9ine-g19-non-threaded-barrel/>> (Year: 2018).*

Glock 9INE G17 Threaded Upgrade Barrel (Stainless), Lantac-USA.com, [online], [site visited Apr. 16, 2018]. <URL: <https://www.lantac-usa.com/product-page/glock-9ine-g17-threaded-stainless/>> (Year: 2018).*

We Need to Talk about the Lantac Glock Barrel, YouTube.com, Tactical Toolbox, Published on Dec. 12, 2017, [online], [site visited Apr. 16, 2018]. <URL: https://www.youtube.com/watch?v=GpUhmF_CFrS> (Year: 2017).*

* cited by examiner

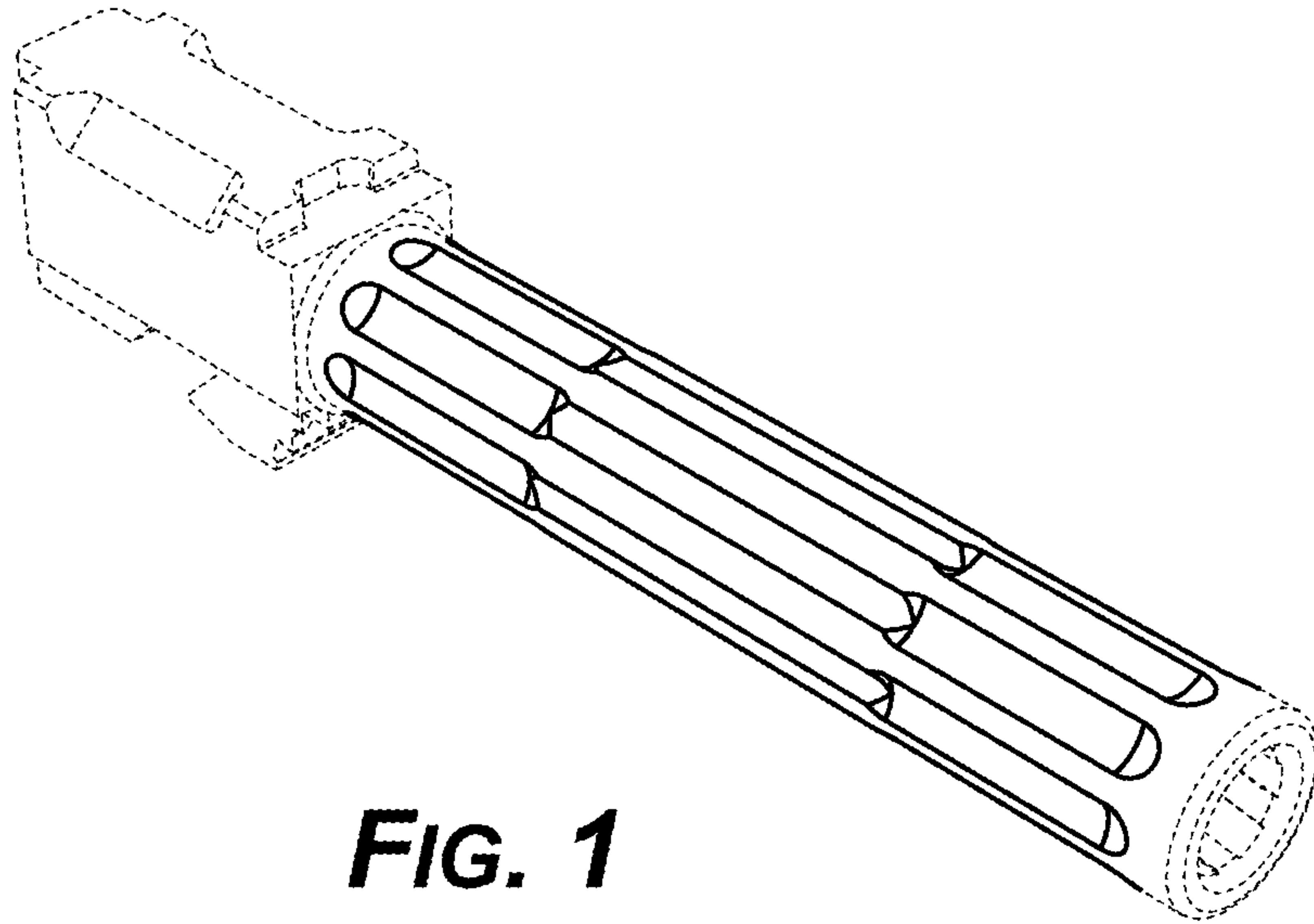


FIG. 1

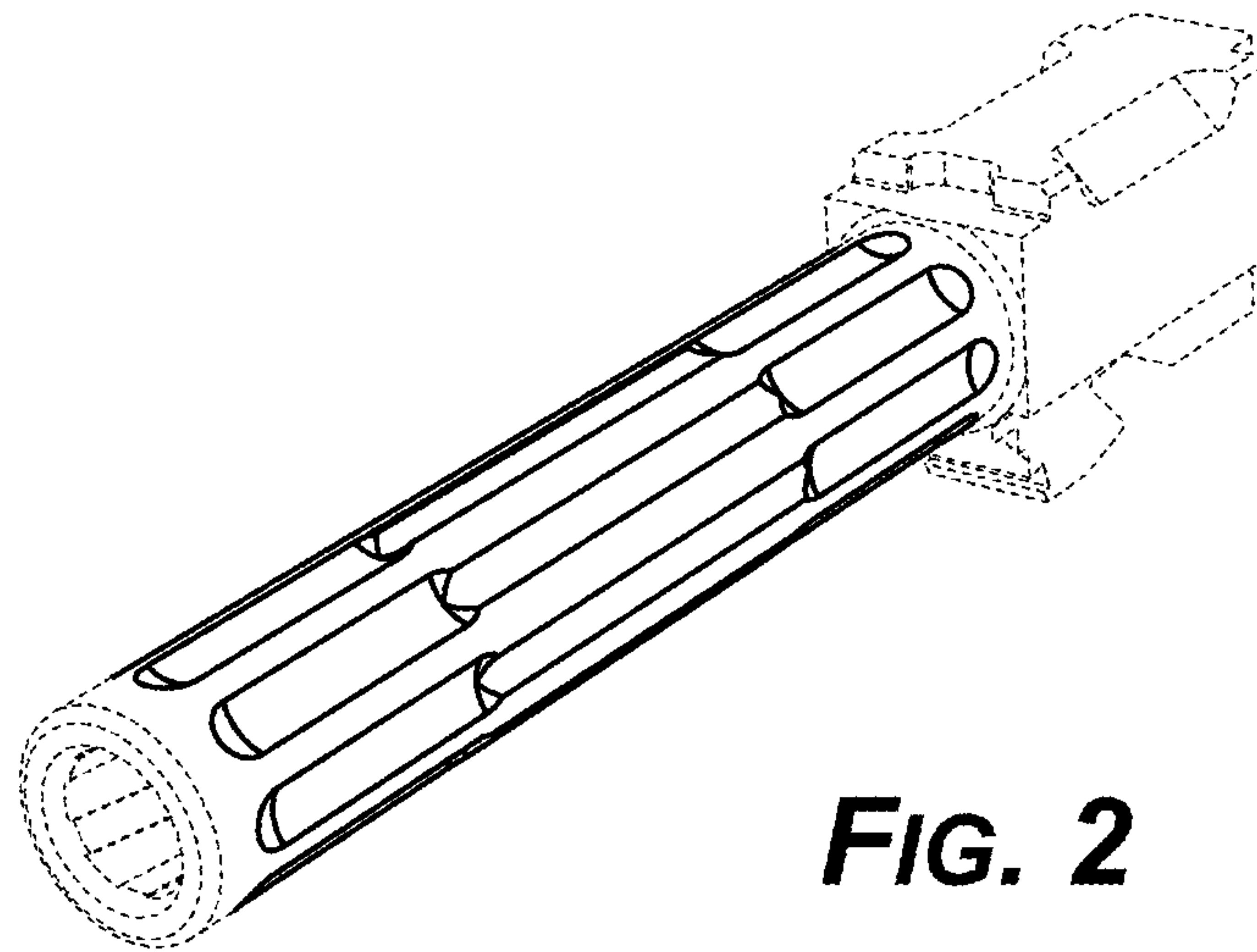


FIG. 2

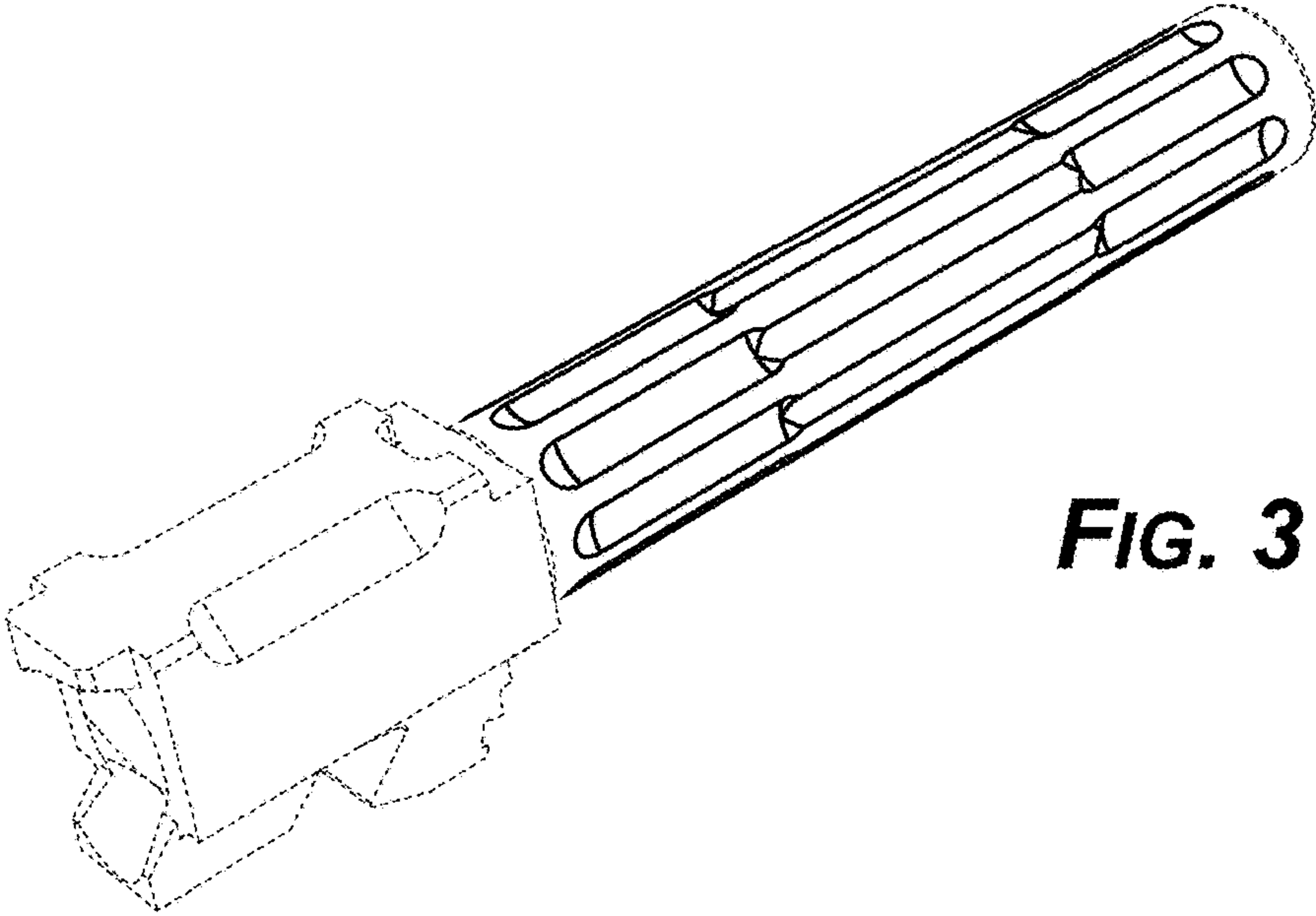


FIG. 3

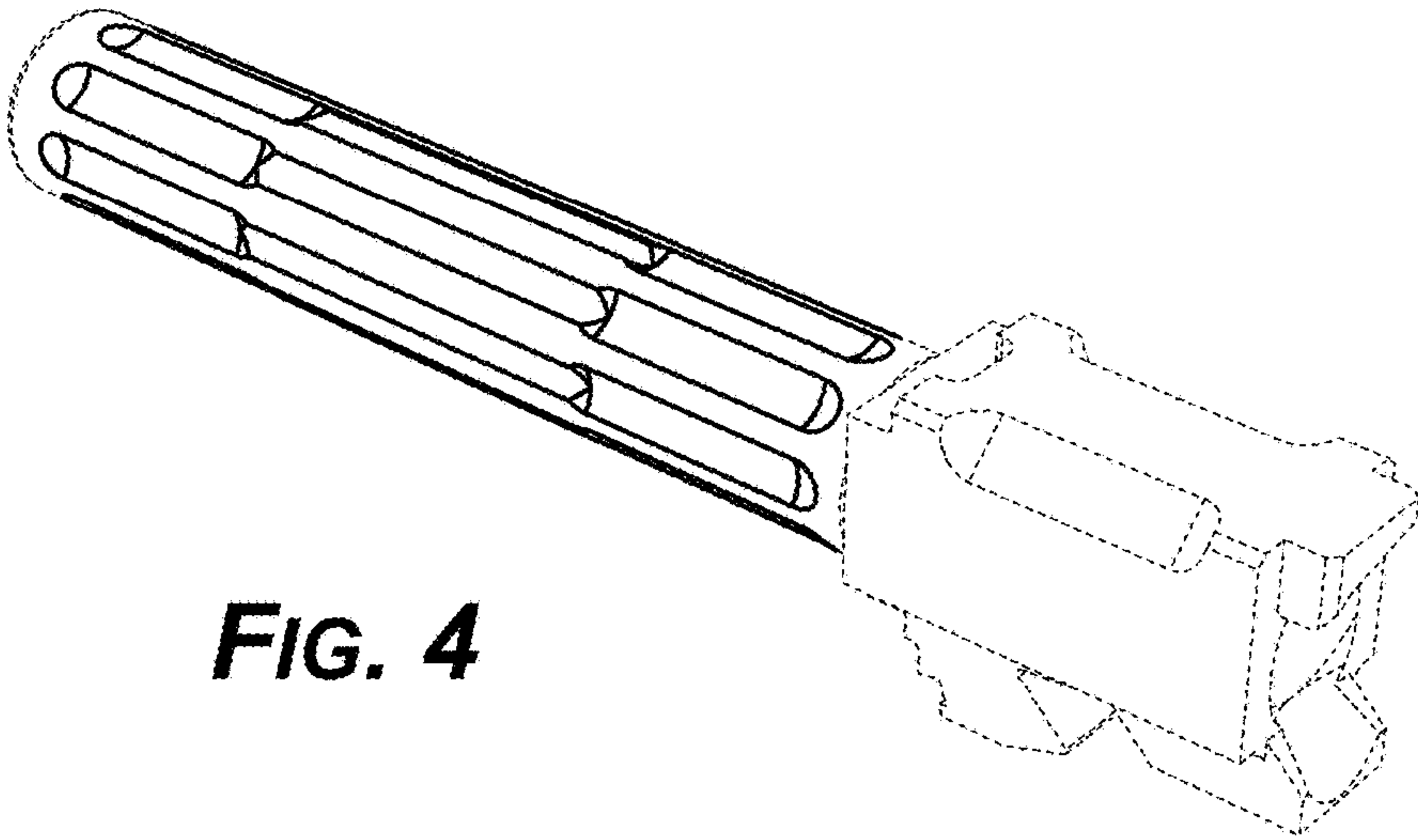


FIG. 4

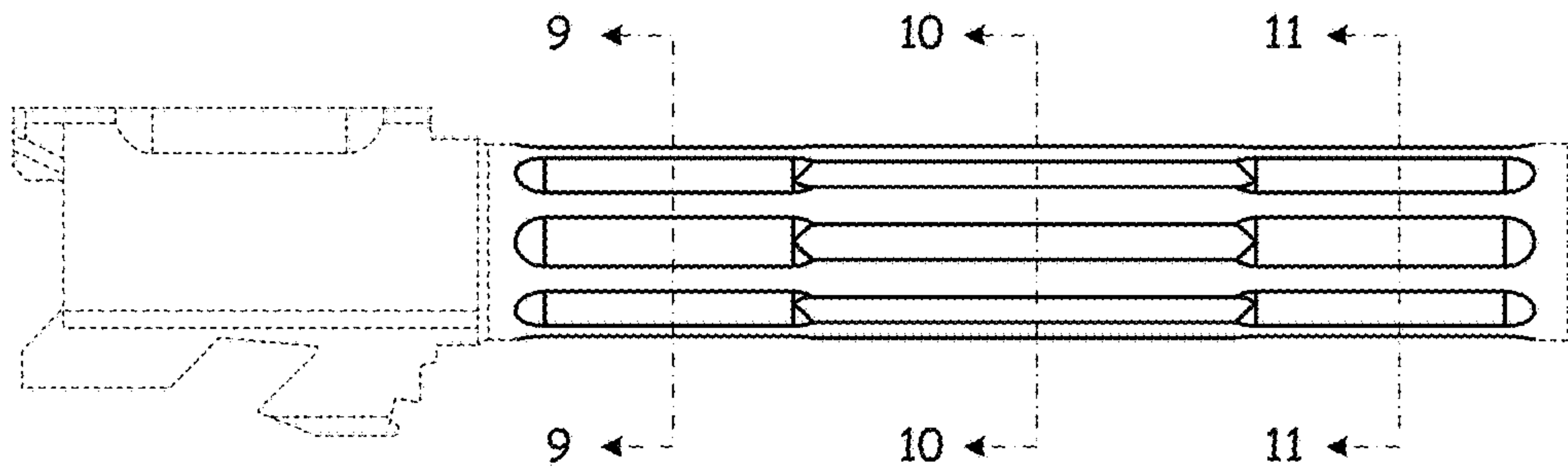


FIG. 5

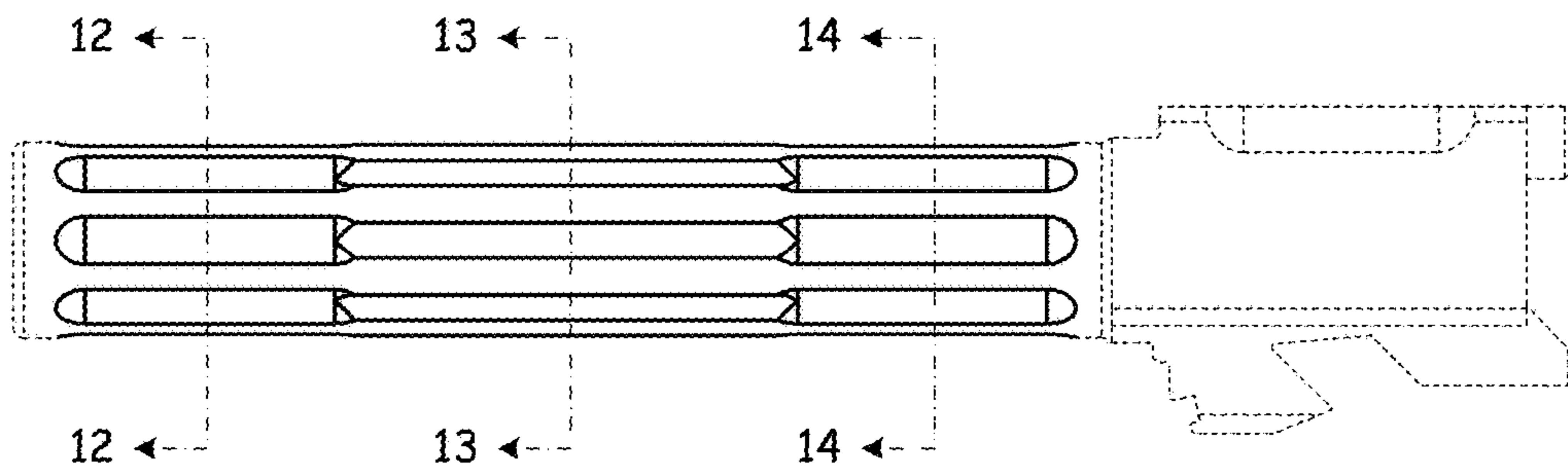


FIG. 6

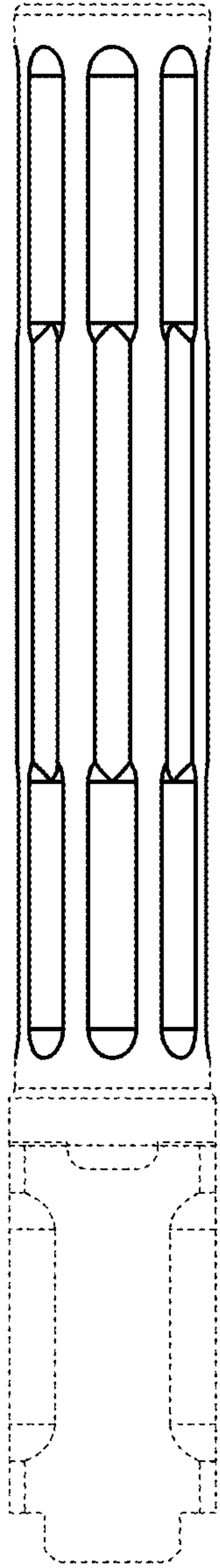


FIG. 7

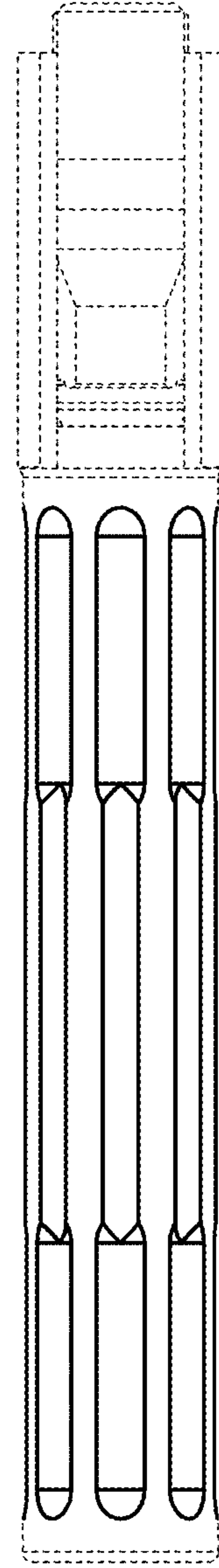


FIG. 8

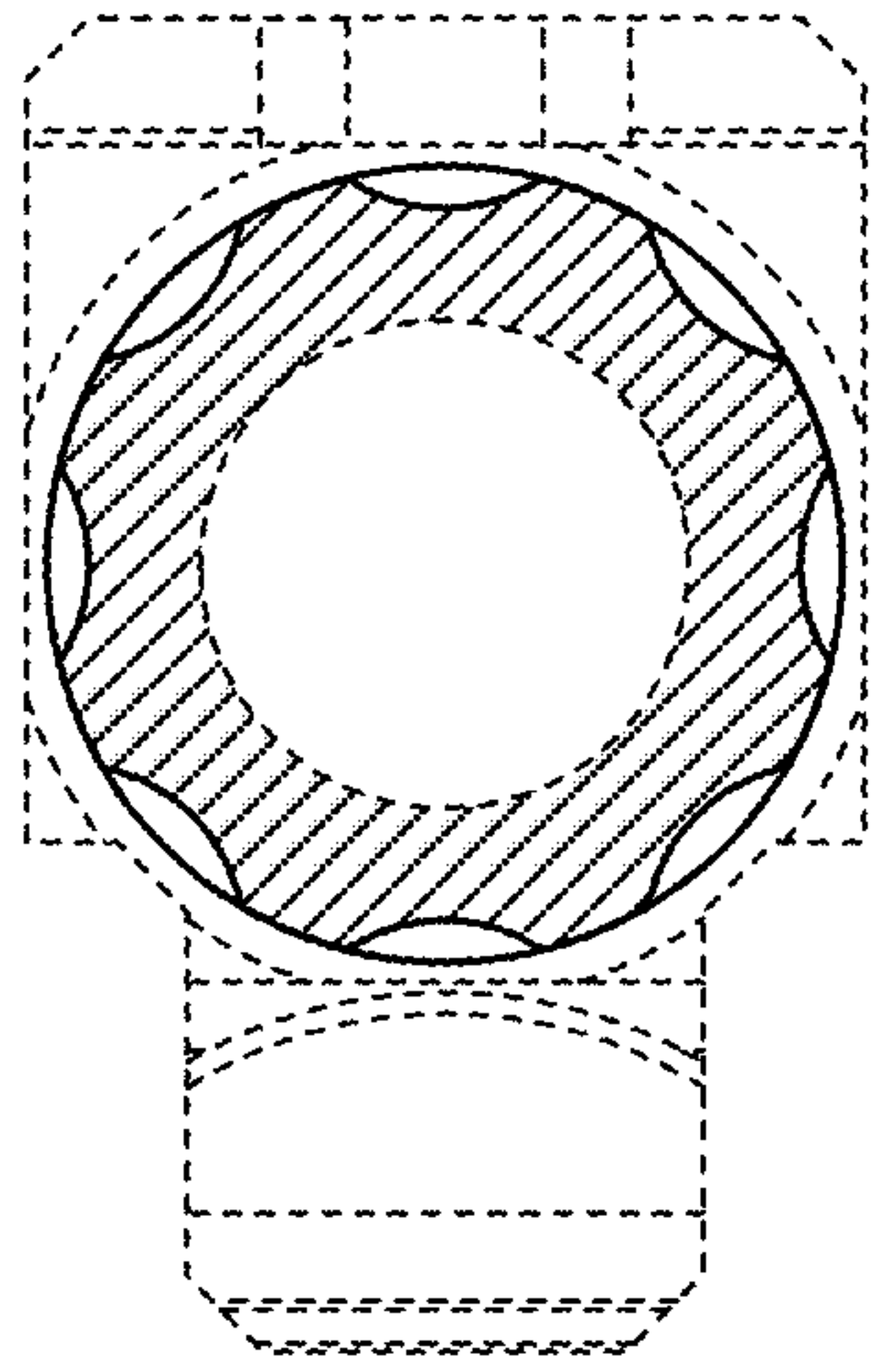


FIG. 9

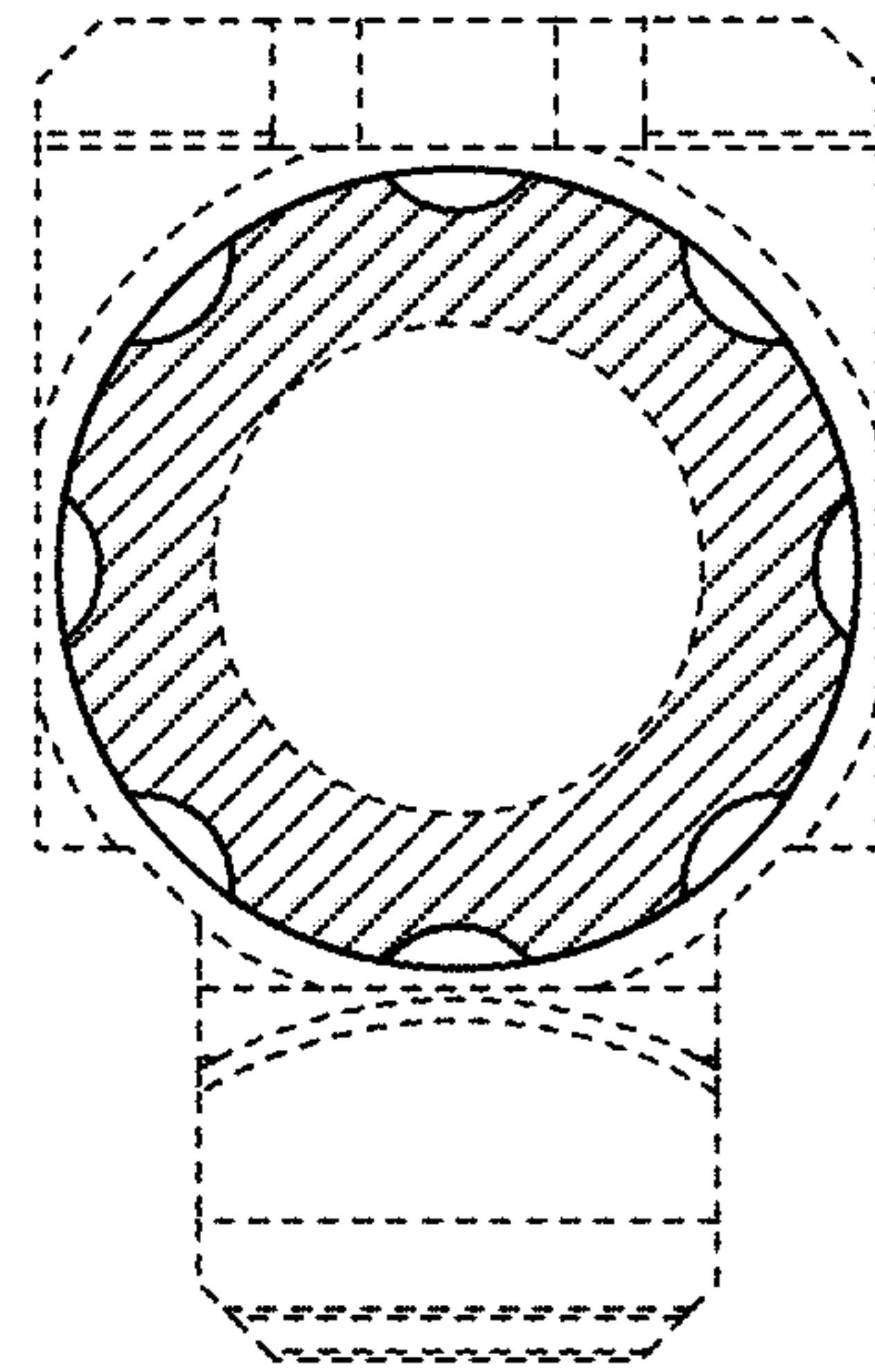


FIG. 10

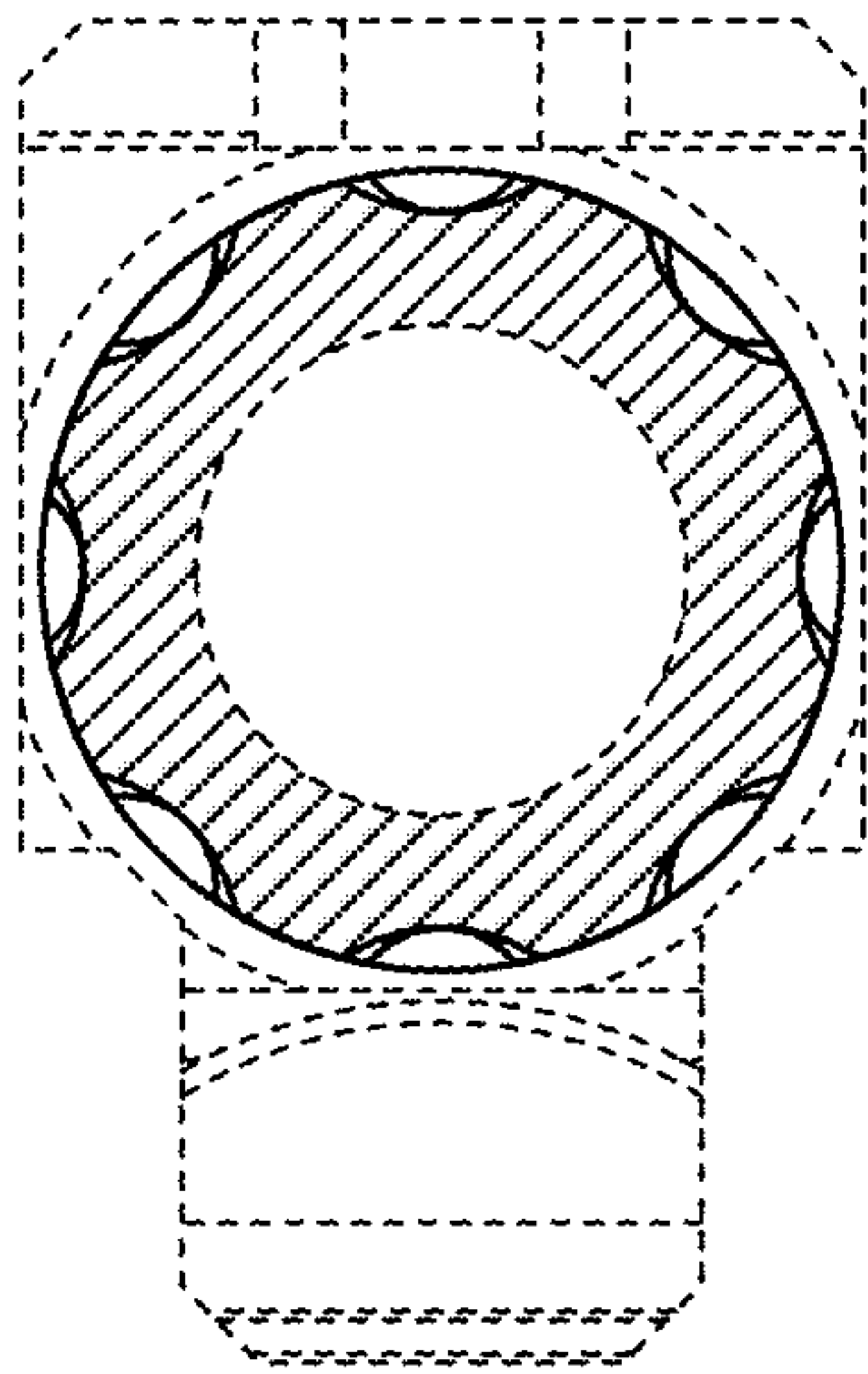


FIG. 11

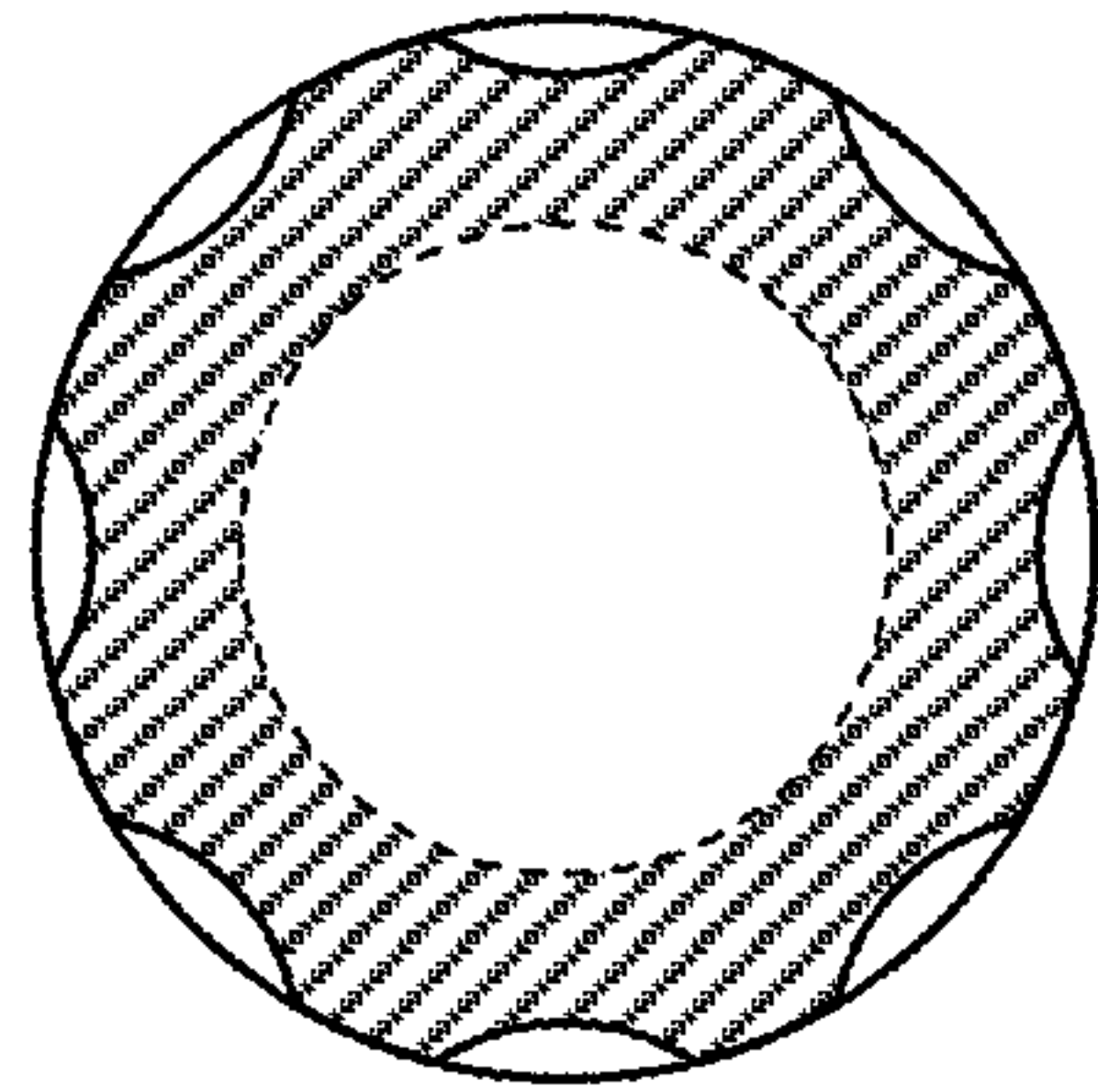


FIG. 12

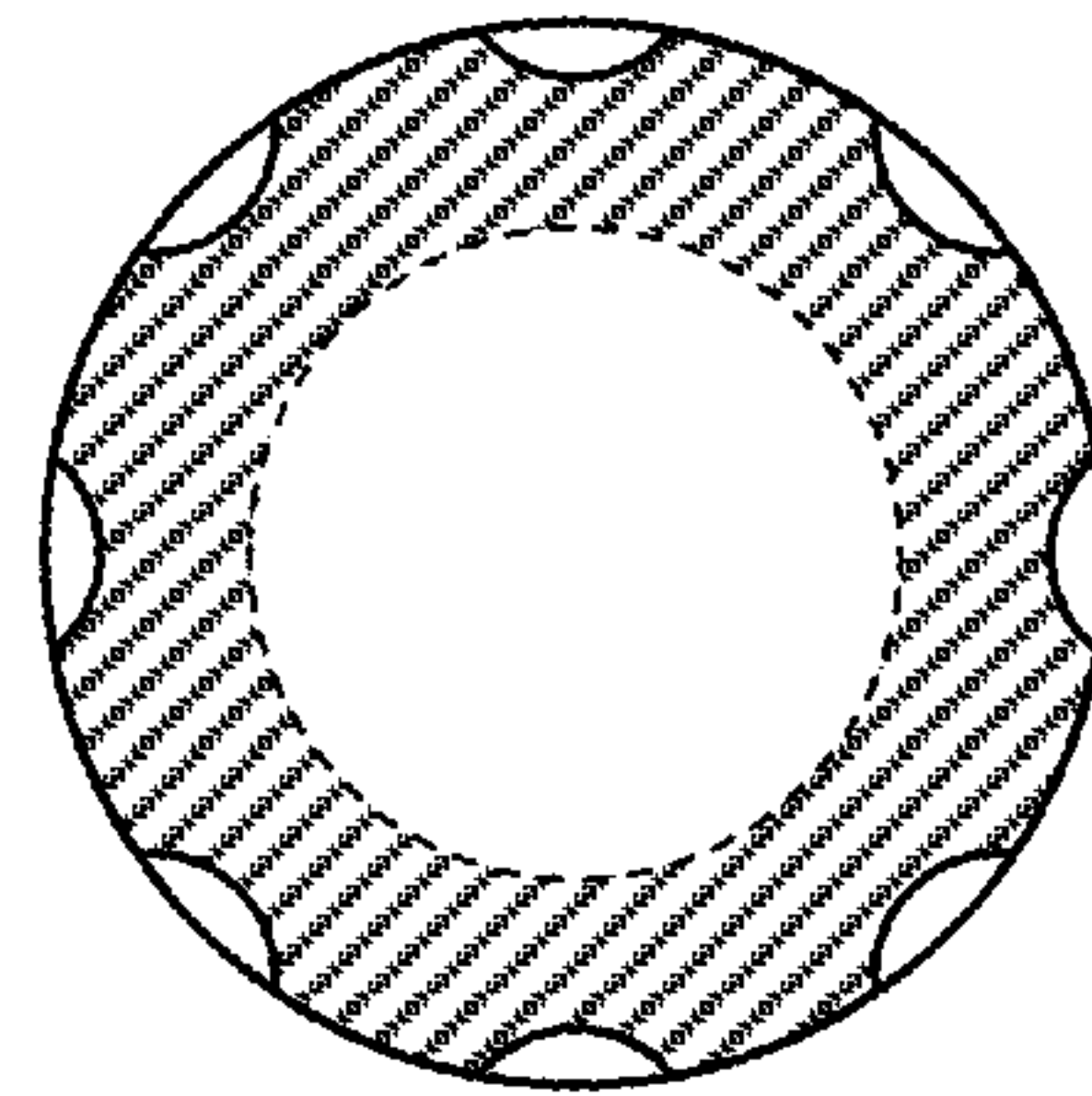


FIG. 13

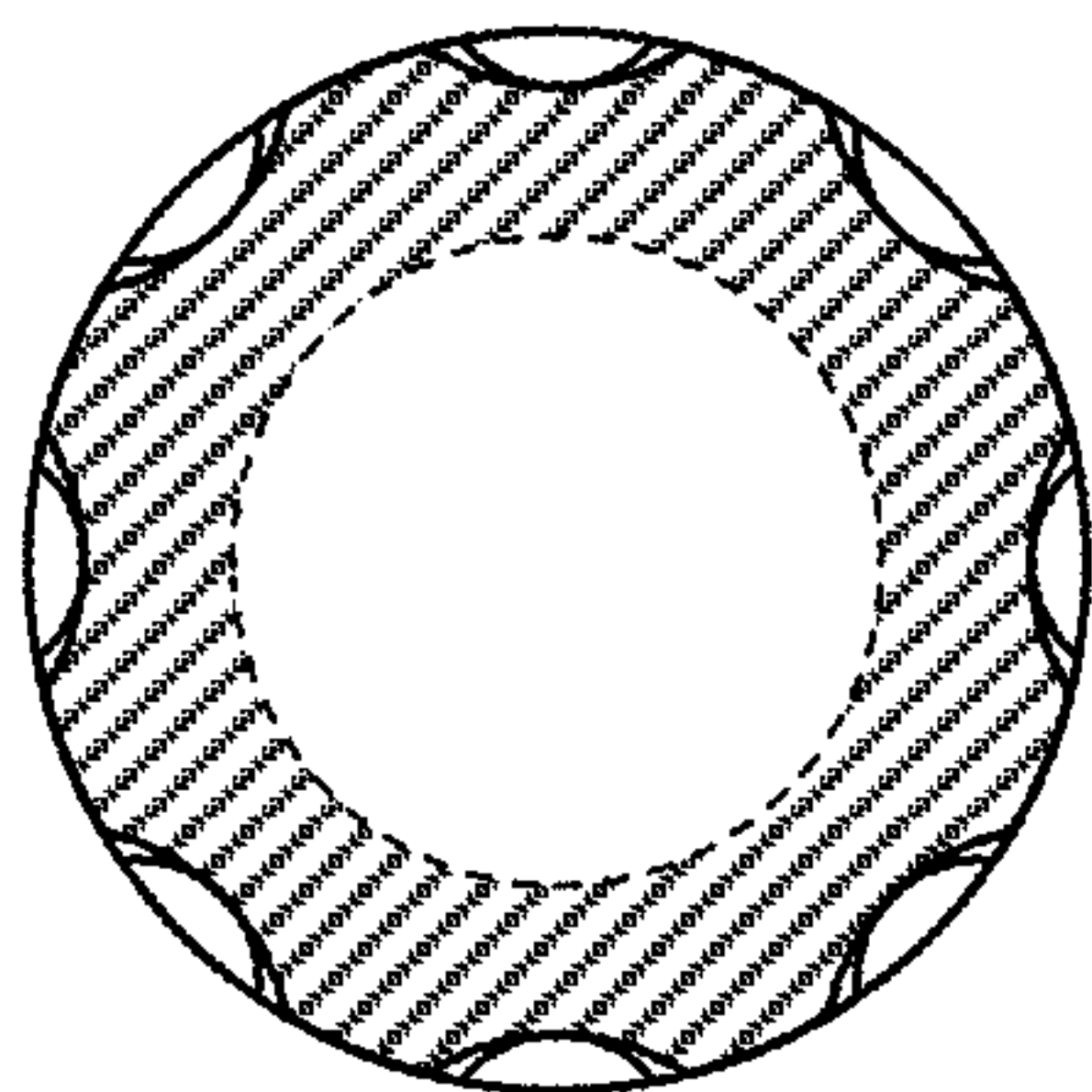


FIG. 14