



US00D829842S

(12) **United States Design Patent**  
**Silver**

(10) **Patent No.:** **US D829,842 S**

(45) **Date of Patent:** **\*\* Oct. 2, 2018**

(54) **SAFETY ROUND**

(71) Applicant: **Safe Tech, Inc.**, Knoxville, TN (US)

(72) Inventor: **H. Steven Silver**, Knoxville, TN (US)

(73) Assignee: **SAFE TECH, INC.**, Knoxville, TN (US)

(\*\*) Term: **15 Years**

(21) Appl. No.: **29/577,778**

(22) Filed: **Sep. 15, 2016**

(51) **LOC (11) Cl.** ..... **22-01**

(52) **U.S. Cl.**  
USPC ..... **D22/108**

(58) **Field of Classification Search**  
USPC ..... D22/108  
CPC ..... F41A 17/44  
See application file for complete search history.

(56) **References Cited**

**U.S. PATENT DOCUMENTS**

1,292,359	A	1/1919	Nelson	
2,294,822	A	9/1942	Albree	
3,371,440	A	3/1968	Cassell	
3,382,596	A	5/1968	Rockwood	
3,678,609	A	7/1972	Fazio	
4,092,794	A	6/1978	Moren	
4,603,498	A	8/1986	Johnson	
4,776,123	A	10/1988	Ascroft	
4,802,298	A	2/1989	Baugus	
4,819,289	A	4/1989	Gibbs	
4,835,894	A	6/1989	Libassi	
4,965,952	A	10/1990	Miller et al.	
5,097,613	A	3/1992	Miller et al.	
5,416,940	A	5/1995	Bandera	
5,664,358	A *	9/1997	Haber	F41A 17/44 42/44
6,250,008	B1	6/2001	Silver	

6,470,615	B1	10/2002	Peterken	
6,560,910	B1 *	5/2003	McLaren	F41A 17/04 42/70.11
6,615,528	B1 *	9/2003	Lindskog	F41A 17/00 42/70.01
6,785,994	B2	9/2004	Christiansen	
6,796,071	B2 *	9/2004	Lane	F41A 17/44 42/70.01
6,904,634	B2	6/2005	Smith	
7,150,122	B1 *	12/2006	Ha	F41A 17/44 42/70.11
7,637,049	B1	12/2009	Samson et al.	
7,841,118	B2 *	11/2010	VanVlymen	F41A 3/12 42/70.08
D701,282	S *	3/2014	Ferguson, II	D22/108
8,850,738	B2	10/2014	Silver	
8,943,866	B2 *	2/2015	Fernandez	F41A 17/38 42/49.01
8,979,537	B2 *	3/2015	Stone	F41A 17/44 434/21

(Continued)

*Primary Examiner* — Michael A. Pratt

(74) *Attorney, Agent, or Firm* — Luedeka Neely Group, PC

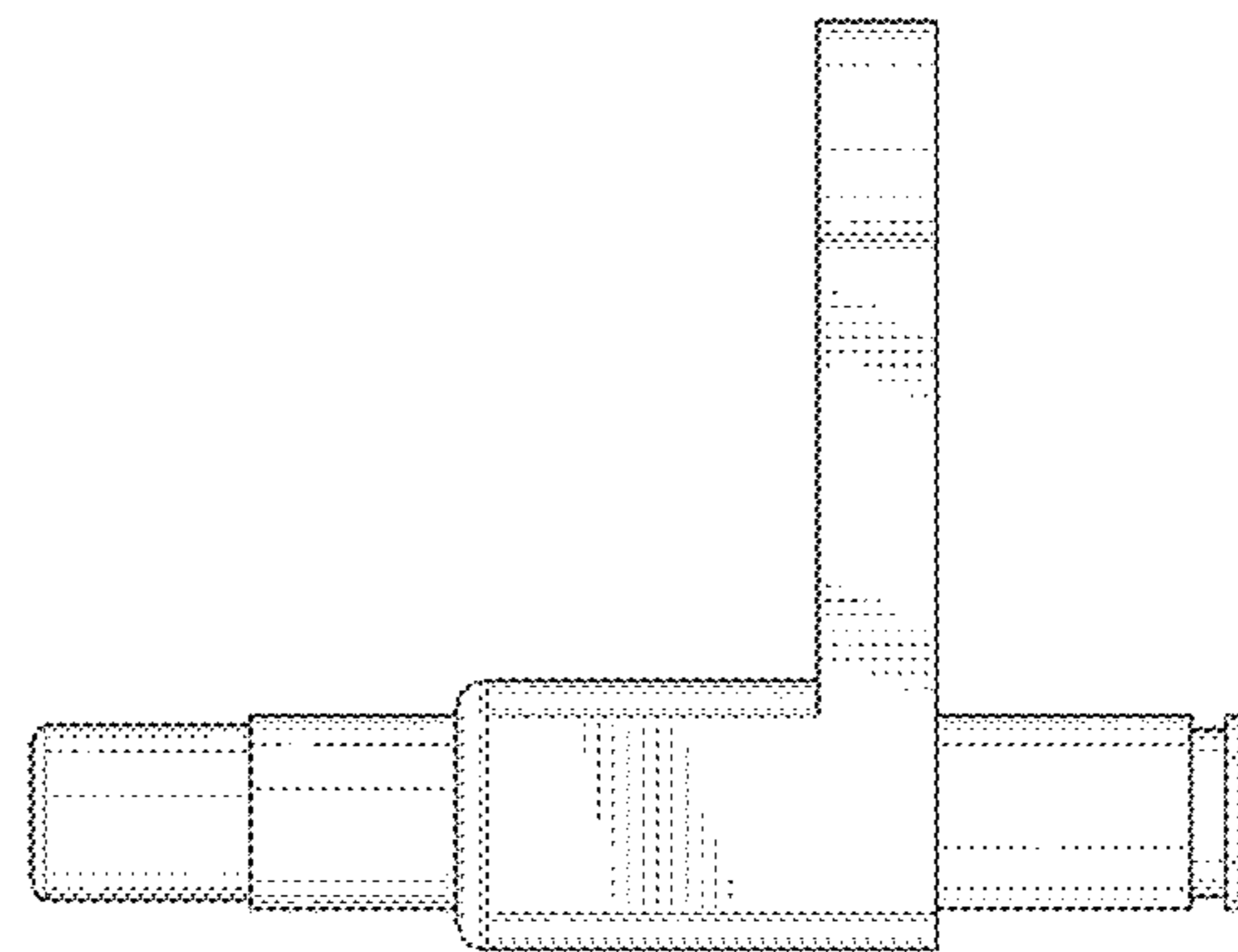
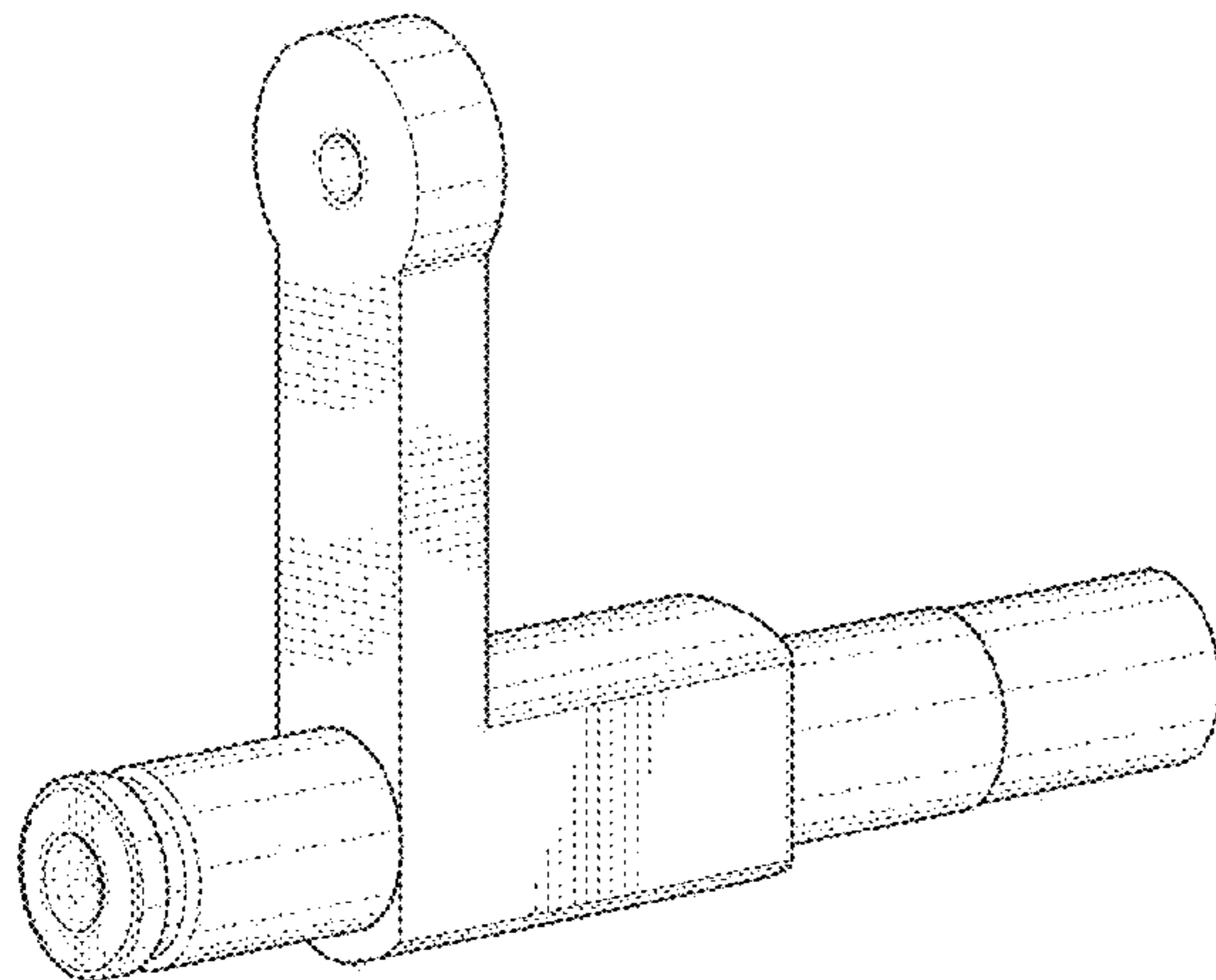
(57) **CLAIM**

The ornamental design for a safety round, as shown and described.

**DESCRIPTION**

FIG. 1 is a perspective view of a safety round of my new design; FIG. 2 is a rear end view of the safety round of FIG. 1; FIG. 3 is a front end view of the safety round of FIG. 1; FIG. 4 is a top plan view of the safety round of FIG. 1; FIG. 5 is a bottom plan view of the safety round of FIG. 1; FIG. 6 is a right side view of the safety round of FIG. 1; FIG. 7 is a left side view of the safety round of FIG. 1; and, FIG. 8 is another view of the safety round of FIG. 1.

**1 Claim, 5 Drawing Sheets**



(56)

**References Cited**

U.S. PATENT DOCUMENTS

9,347,724 B2 \* 5/2016 Stone ..... F41A 17/44  
2009/0199345 A1 8/2009 Morgan  
2011/0283588 A1 11/2011 Samson et al.

\* cited by examiner

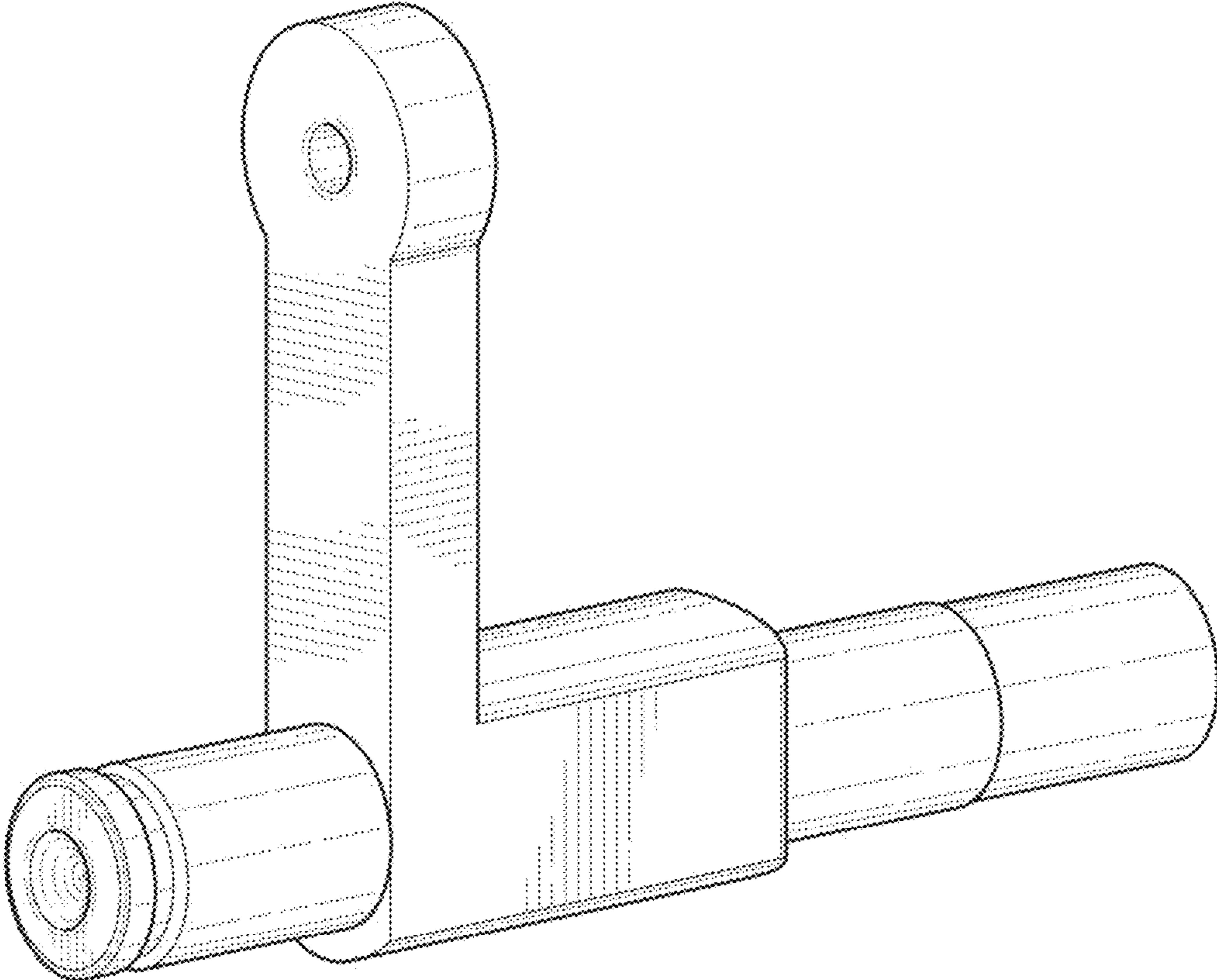
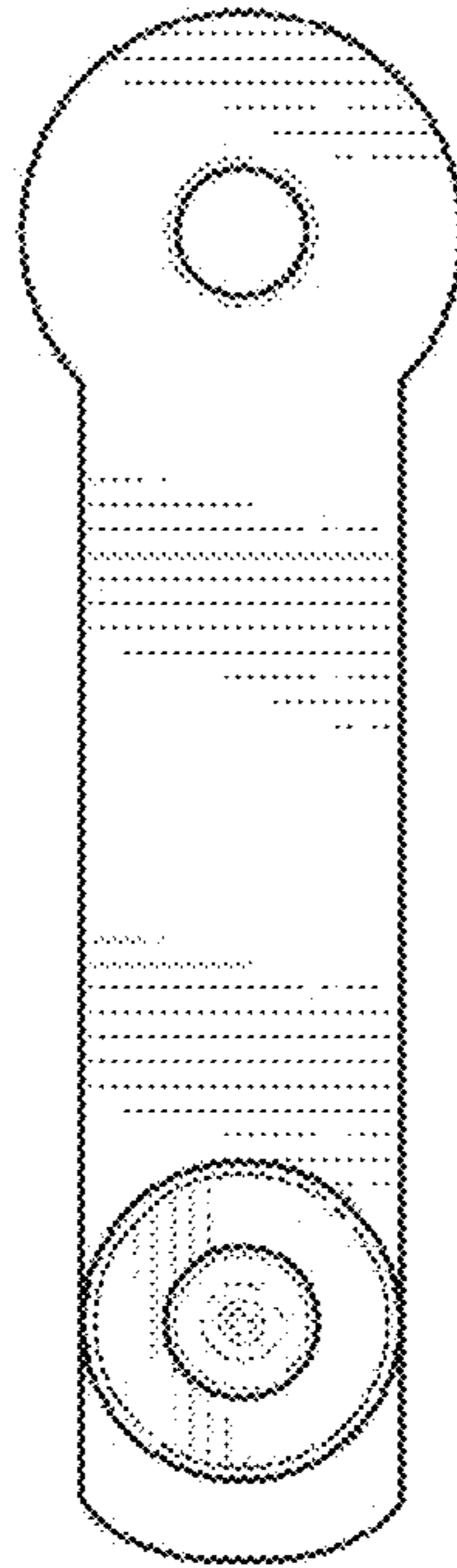
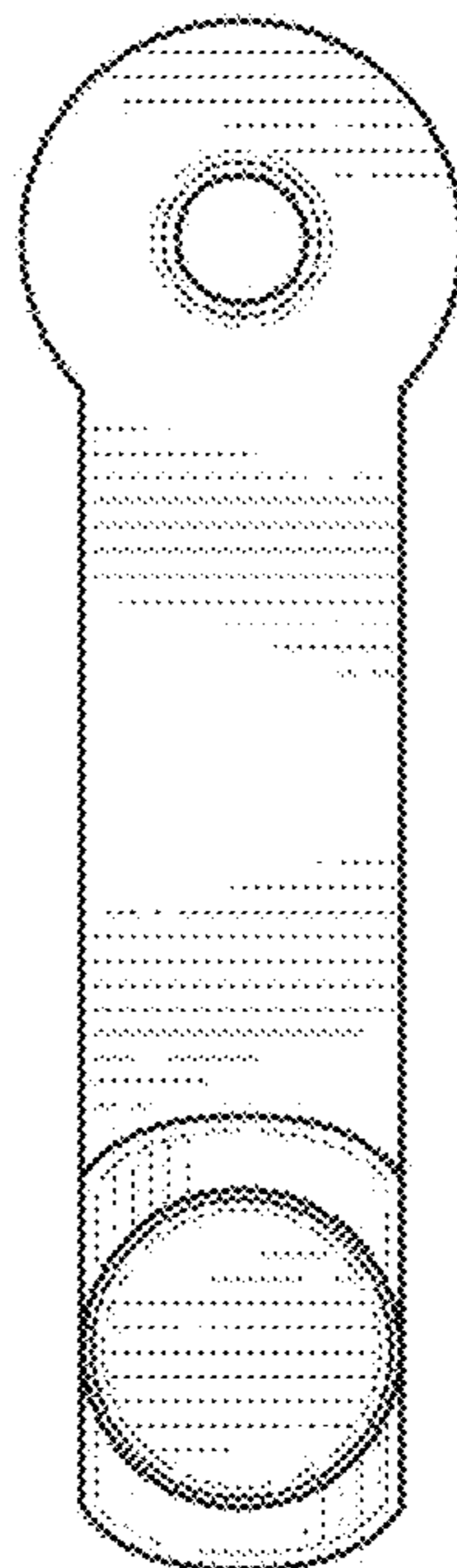


FIG. 1



**FIG. 2**



**FIG. 3**

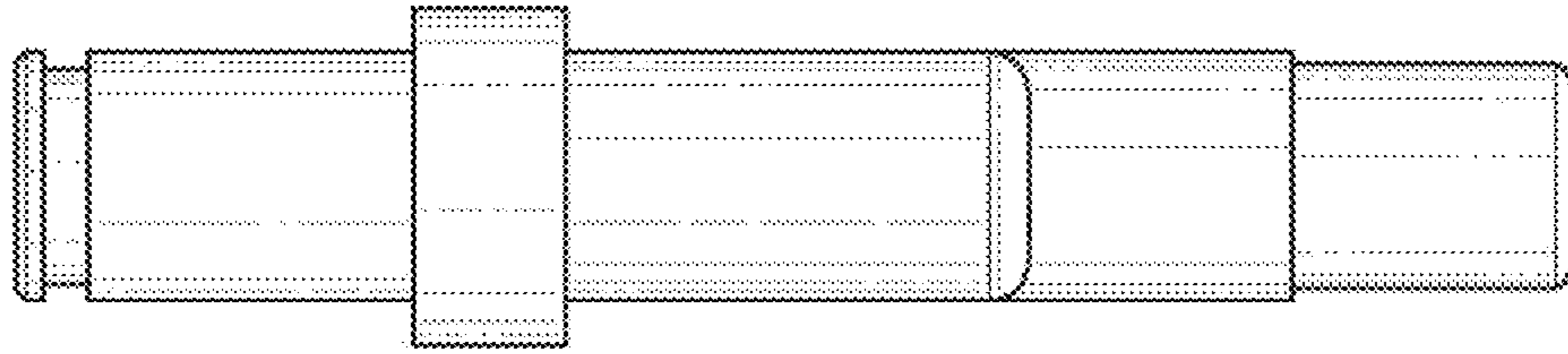


FIG. 4

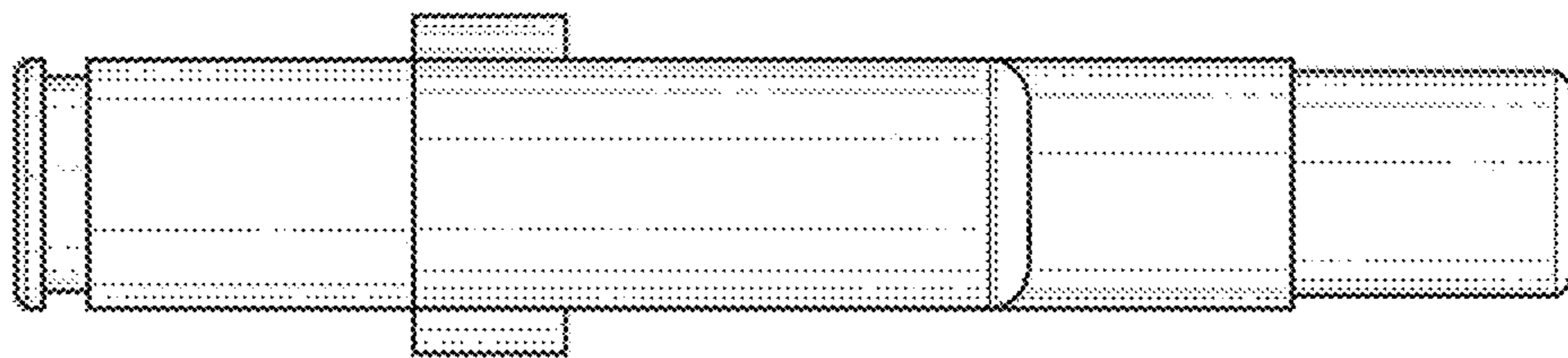


FIG. 5

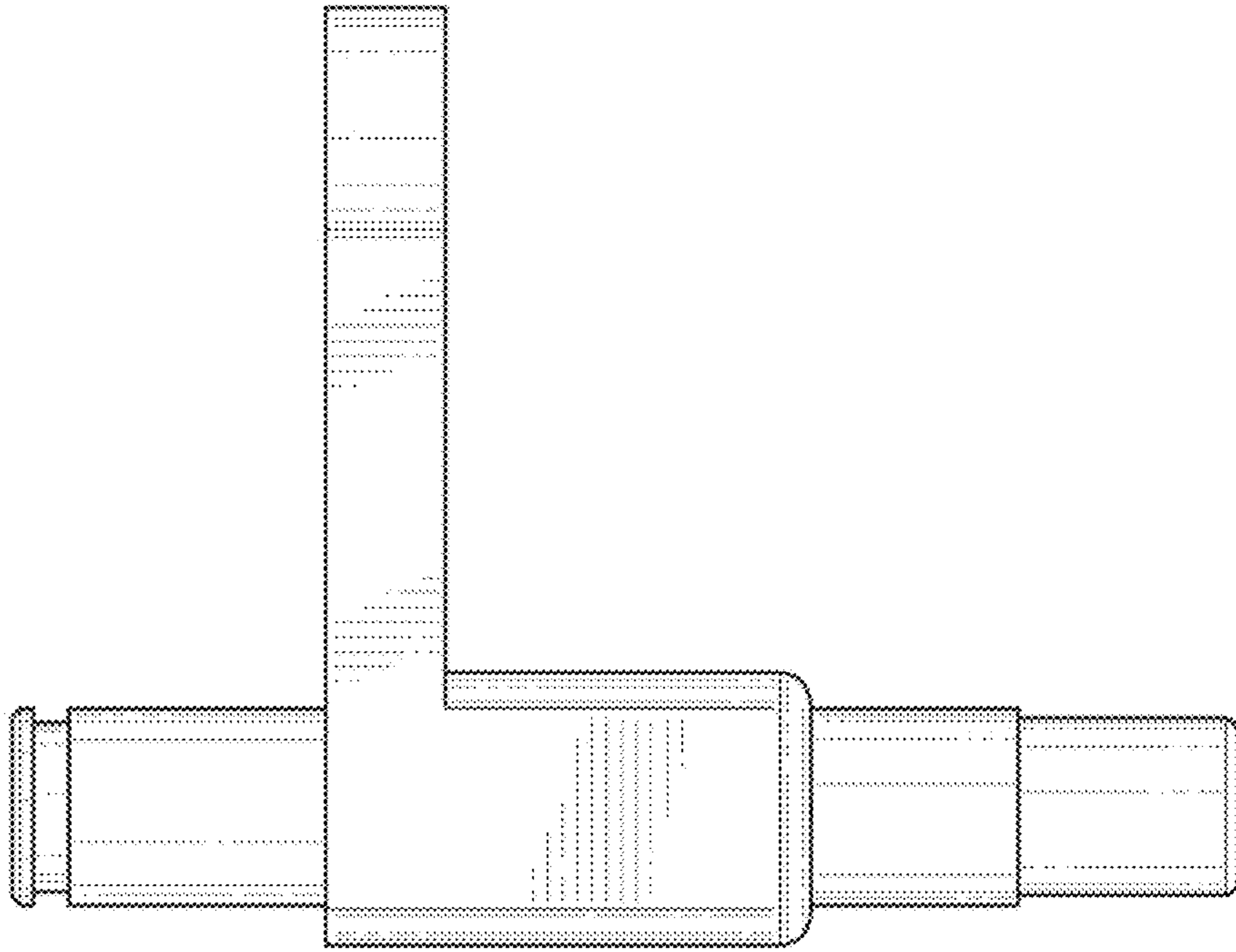


FIG. 6

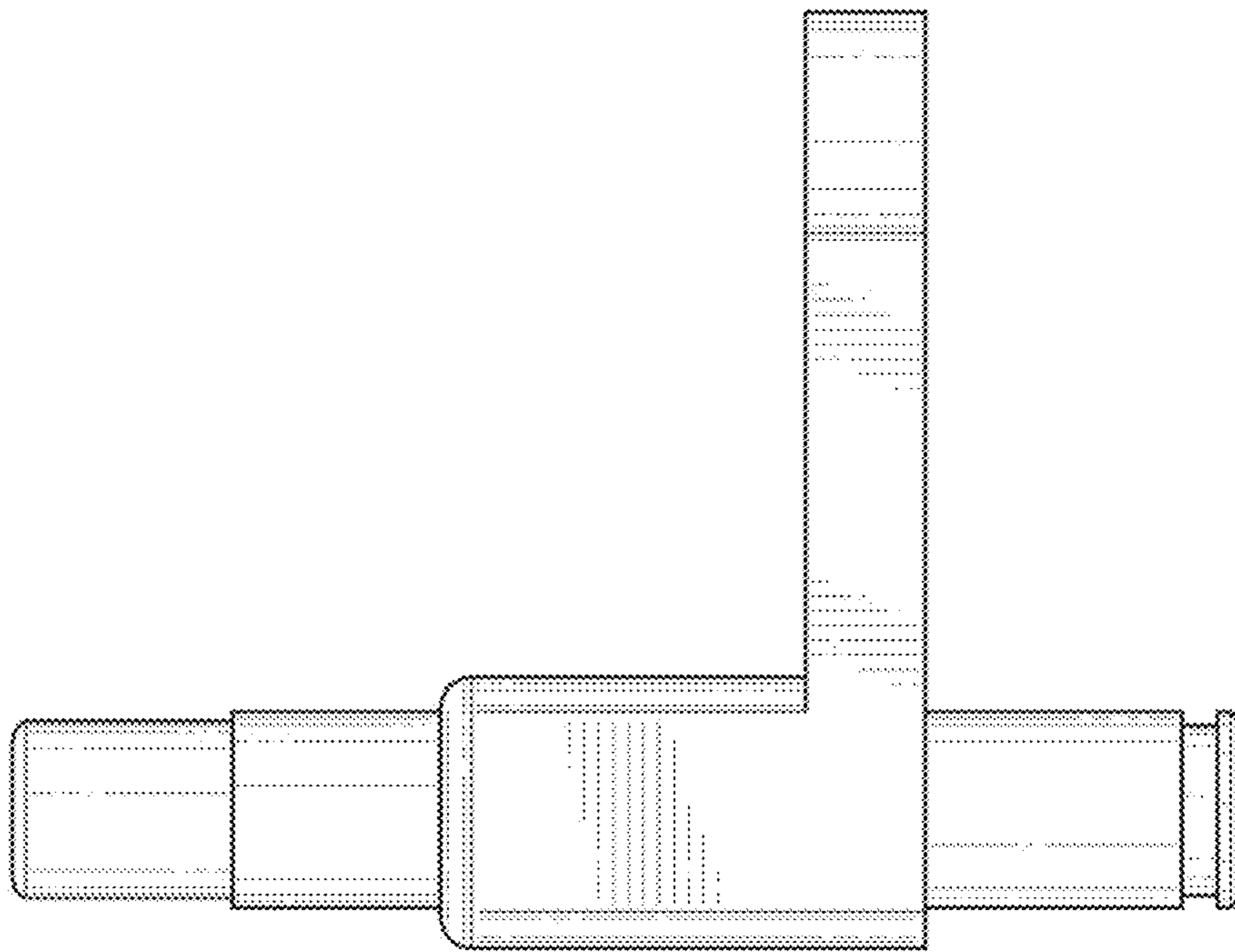


FIG. 7

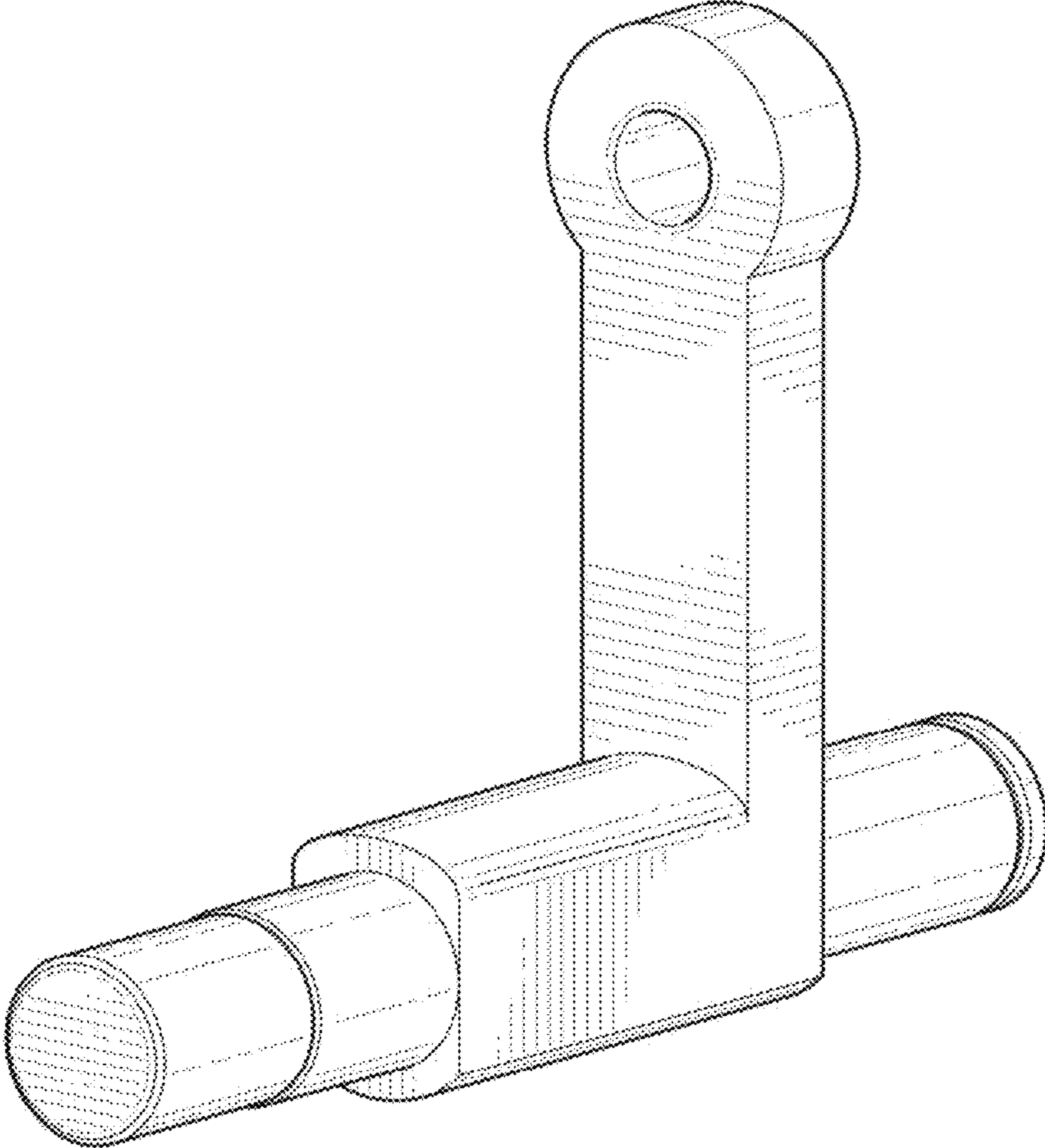


FIG. 8