



US00D829841S

(12) **United States Design Patent**  
**Galli**

(10) **Patent No.:** **US D829,841 S**

(45) **Date of Patent:** **\*\* \*Oct. 2, 2018**

(54) **WEAPON MOUNTED LIGHT**

(71) Applicant: **Emissive Energy Corp.**, North Kingstown, RI (US)

(72) Inventor: **Robert D. Galli**, North Kingstown, RI (US)

(73) Assignee: **EMISSIVE ENERGY CORP.**, North Kingstown, RI (US)

(\*) Notice: This patent is subject to a terminal disclaimer.

(\*\*) Term: **15 Years**

(21) Appl. No.: **29/573,800**

(22) Filed: **Aug. 10, 2016**

(51) **LOC (11) Cl.** ..... **22-01**

(52) **U.S. Cl.**  
USPC ..... **D22/108**

(58) **Field of Classification Search**  
USPC ..... D22/108-109; D26/24-27, 38, 40, 42, D26/46-47, 51, 60, 113, 118, 130-133, D26/136

CPC ..... F41G 1/35; F41G 1/345  
See application file for complete search history.

(56) **References Cited**

U.S. PATENT DOCUMENTS

D567,894 S \* 4/2008 Sterling ..... D22/108  
D674,858 S \* 1/2013 Galli ..... D22/108

D709,158 S \* 7/2014 Wells ..... D22/108  
8,960,942 B2 \* 2/2015 Galli ..... F41G 11/004  
315/210  
D800,362 S \* 10/2017 Galli ..... D26/60  
9,810,411 B2 \* 11/2017 Galli ..... F21V 23/0414  
9,841,258 B1 \* 12/2017 Galli ..... F41G 11/003

FOREIGN PATENT DOCUMENTS

WO 2012075395 A2 6/2012

\* cited by examiner

*Primary Examiner* — Michael Aaron Pratt

(74) *Attorney, Agent, or Firm* — Barlow, Josephs & Holmes, Ltd.

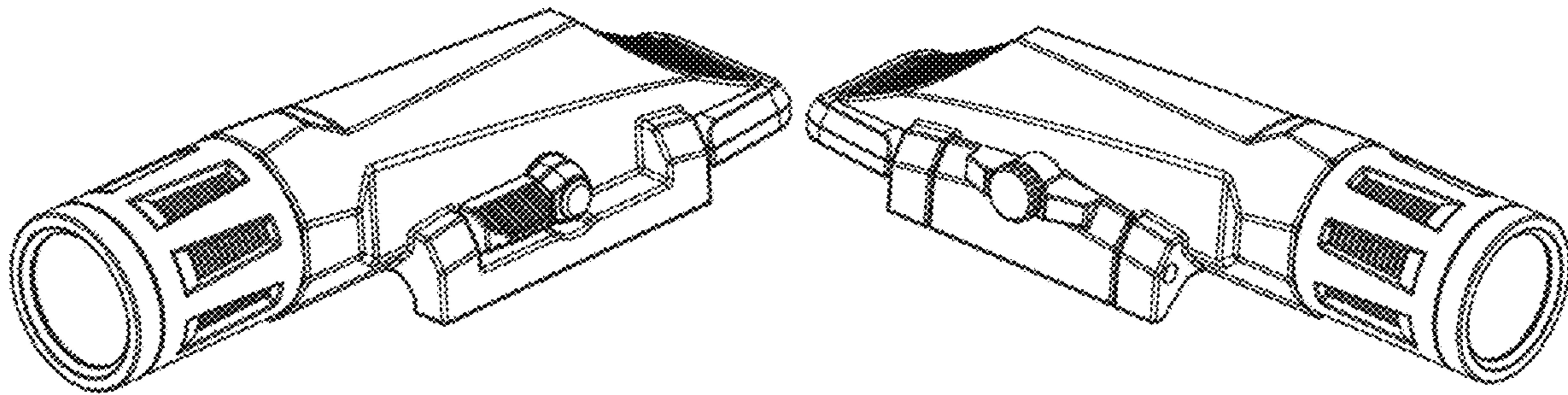
(57) **CLAIM**

The ornamental design for a weapon mounted light, as shown and described.

**DESCRIPTION**

FIG. 1 is a first perspective view of the weapon mounted light in accordance with the present design; FIG. 2 is another perspective view thereof; FIG. 3 is a top view thereof; FIG. 4 is a left side view thereof; FIG. 5 is a right side view thereof; FIG. 6 is a front view thereof; and, FIG. 7 is a rear view thereof.

**1 Claim, 3 Drawing Sheets**



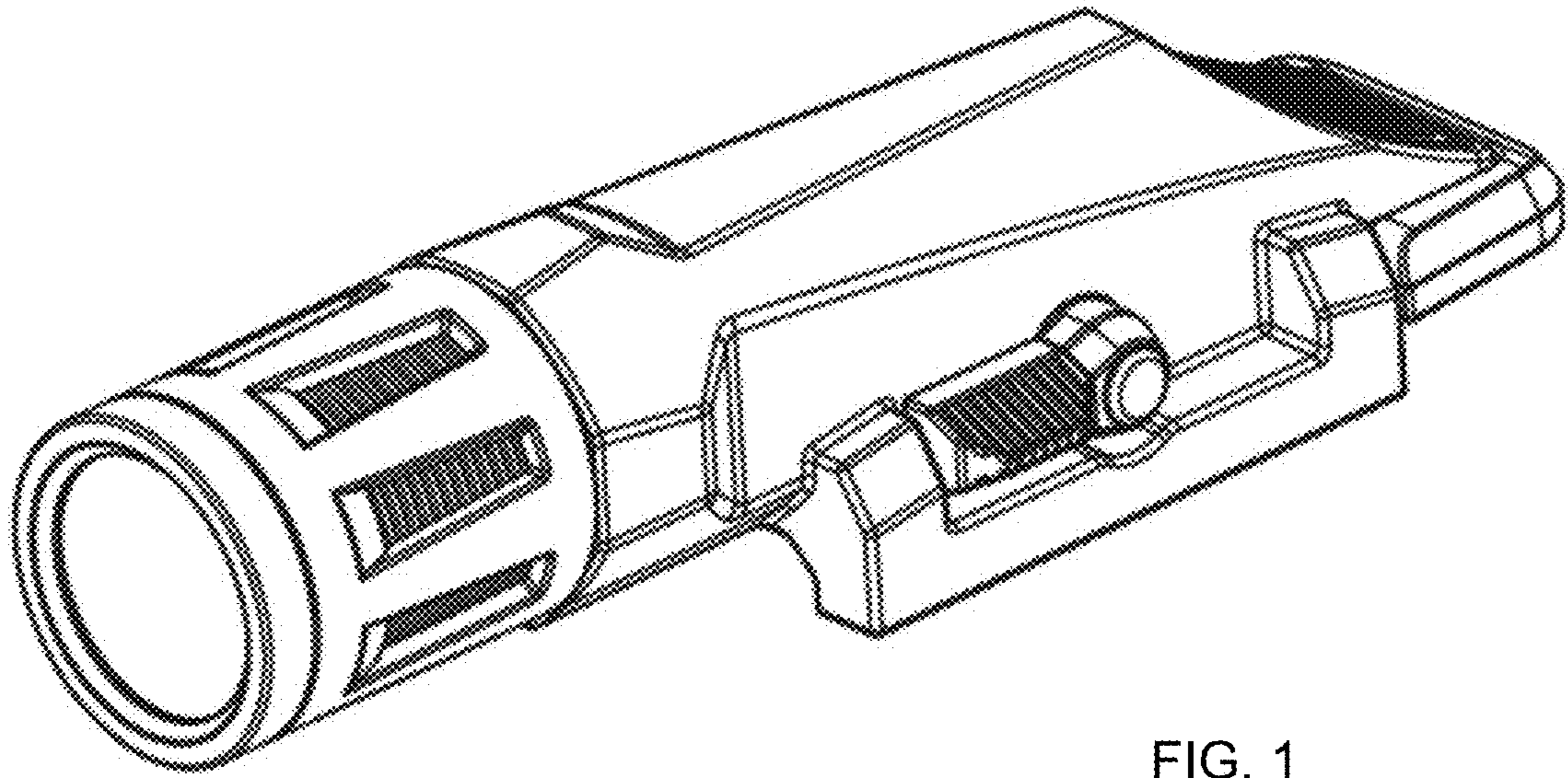


FIG. 1

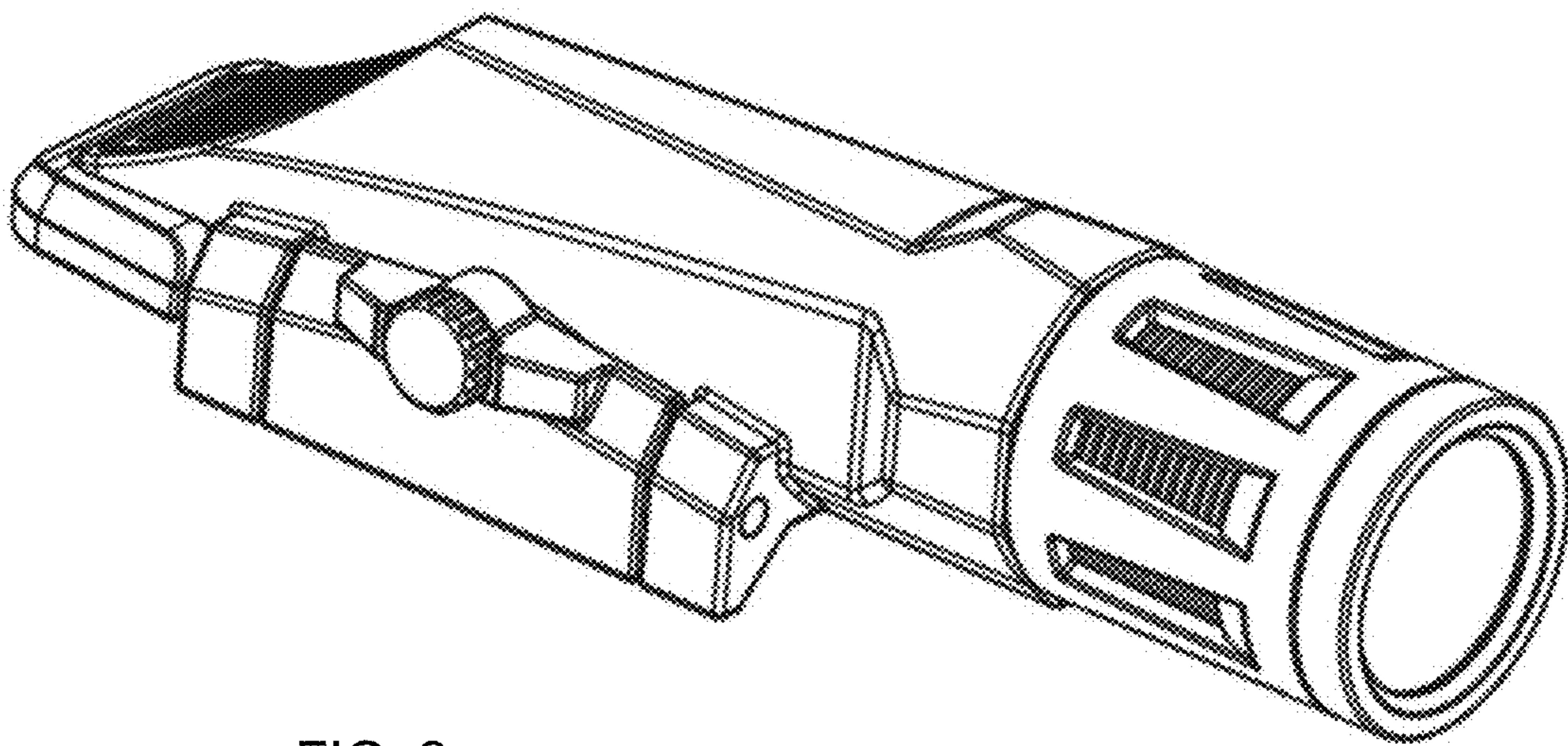


FIG. 2



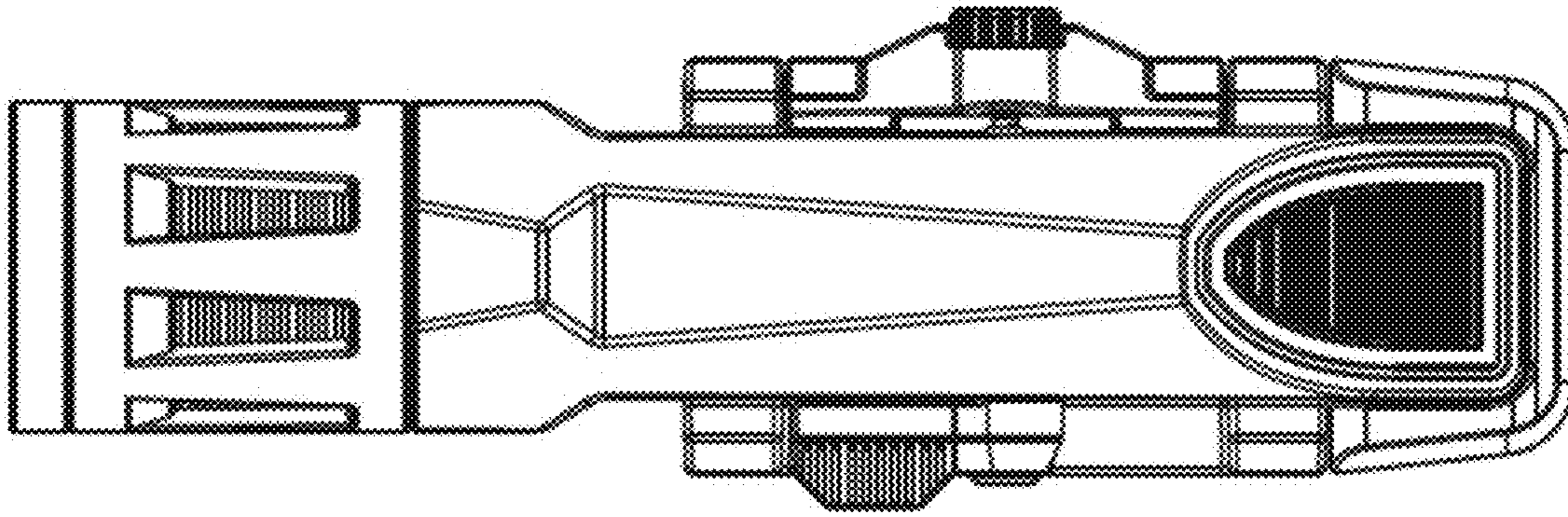


FIG. 3

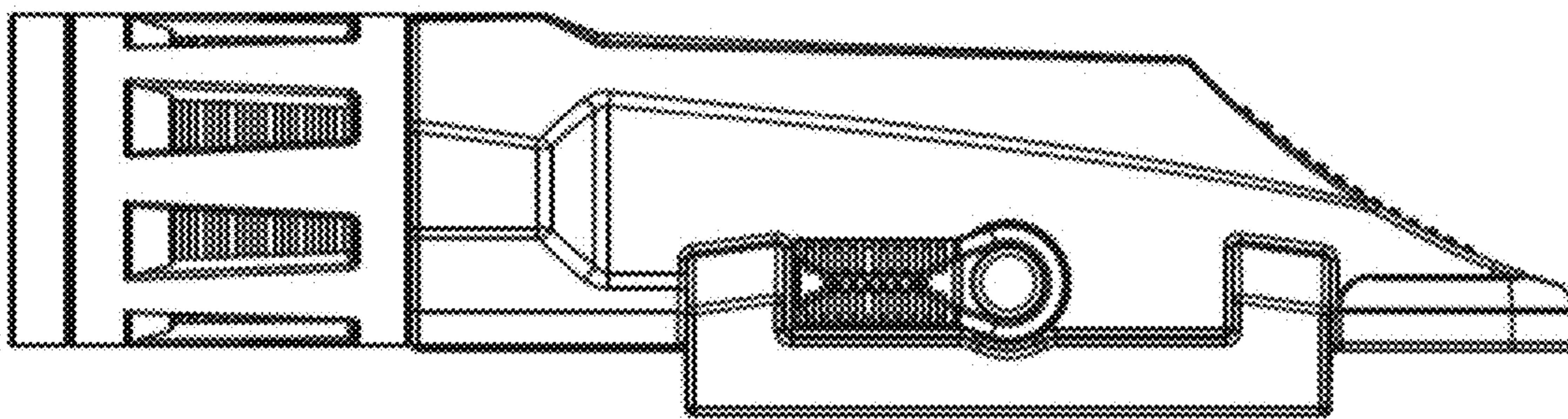


FIG. 4

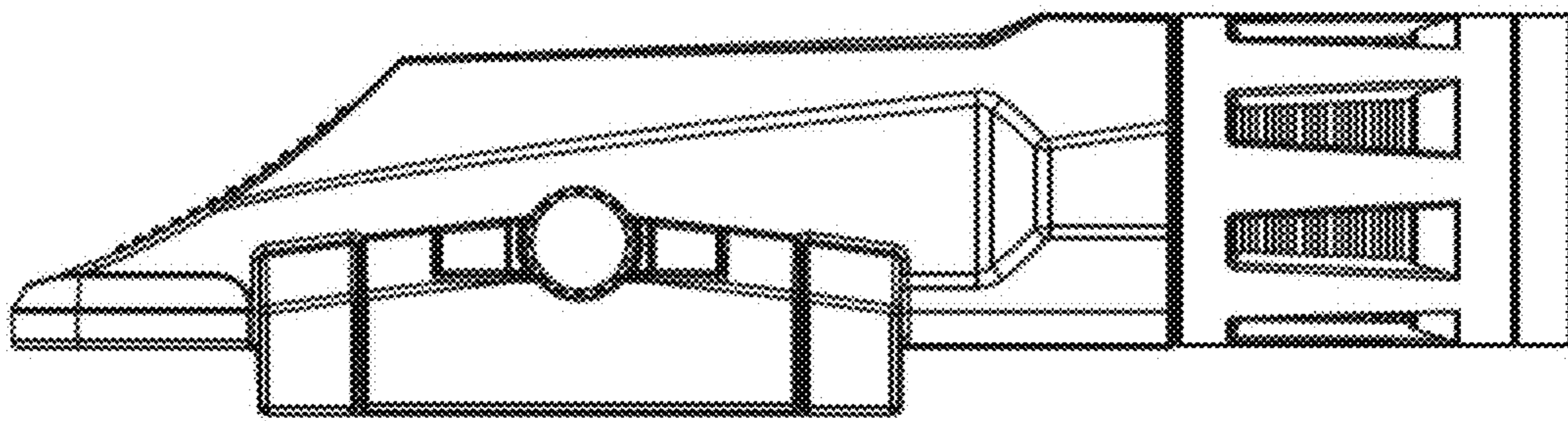


FIG. 5

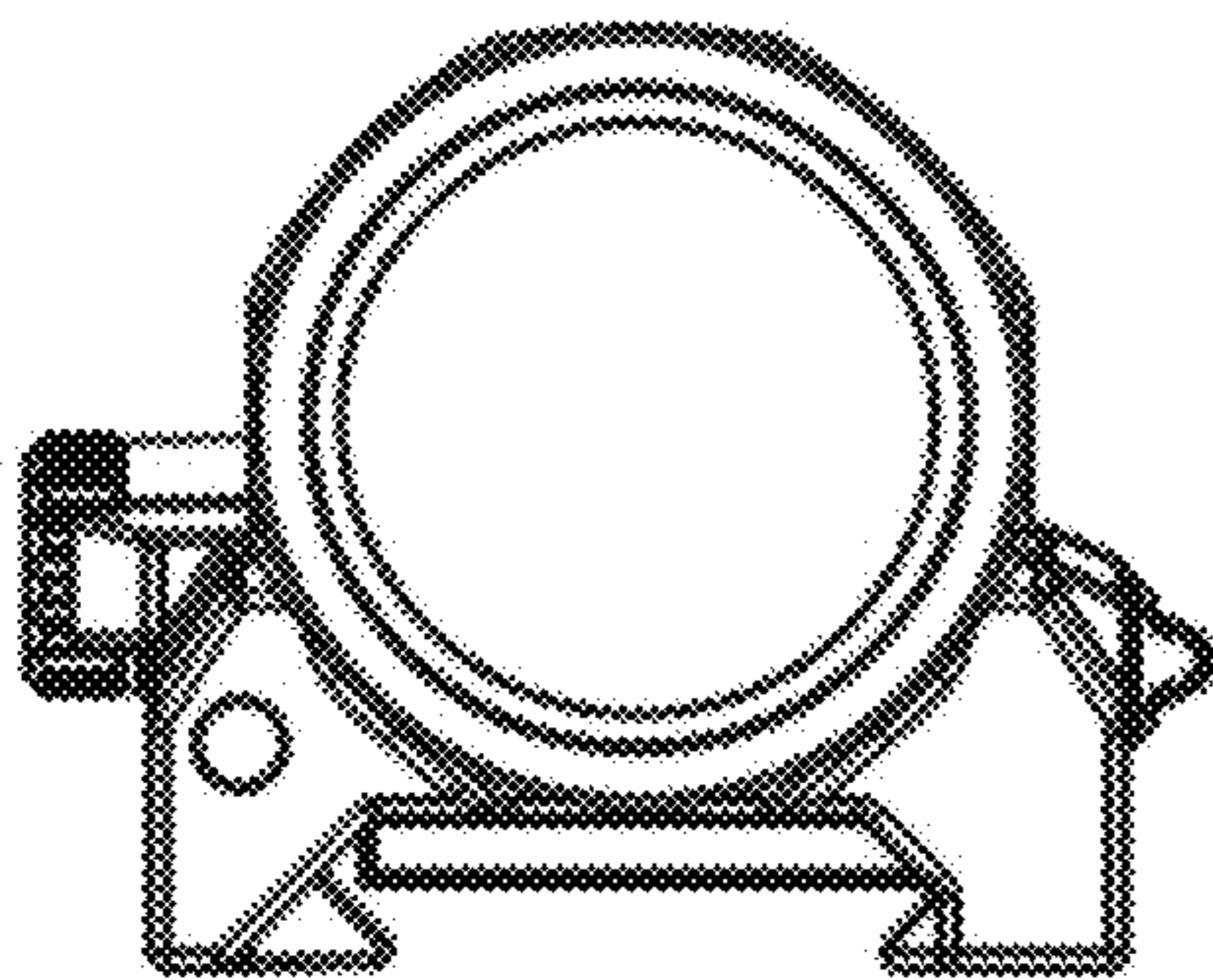


FIG. 6

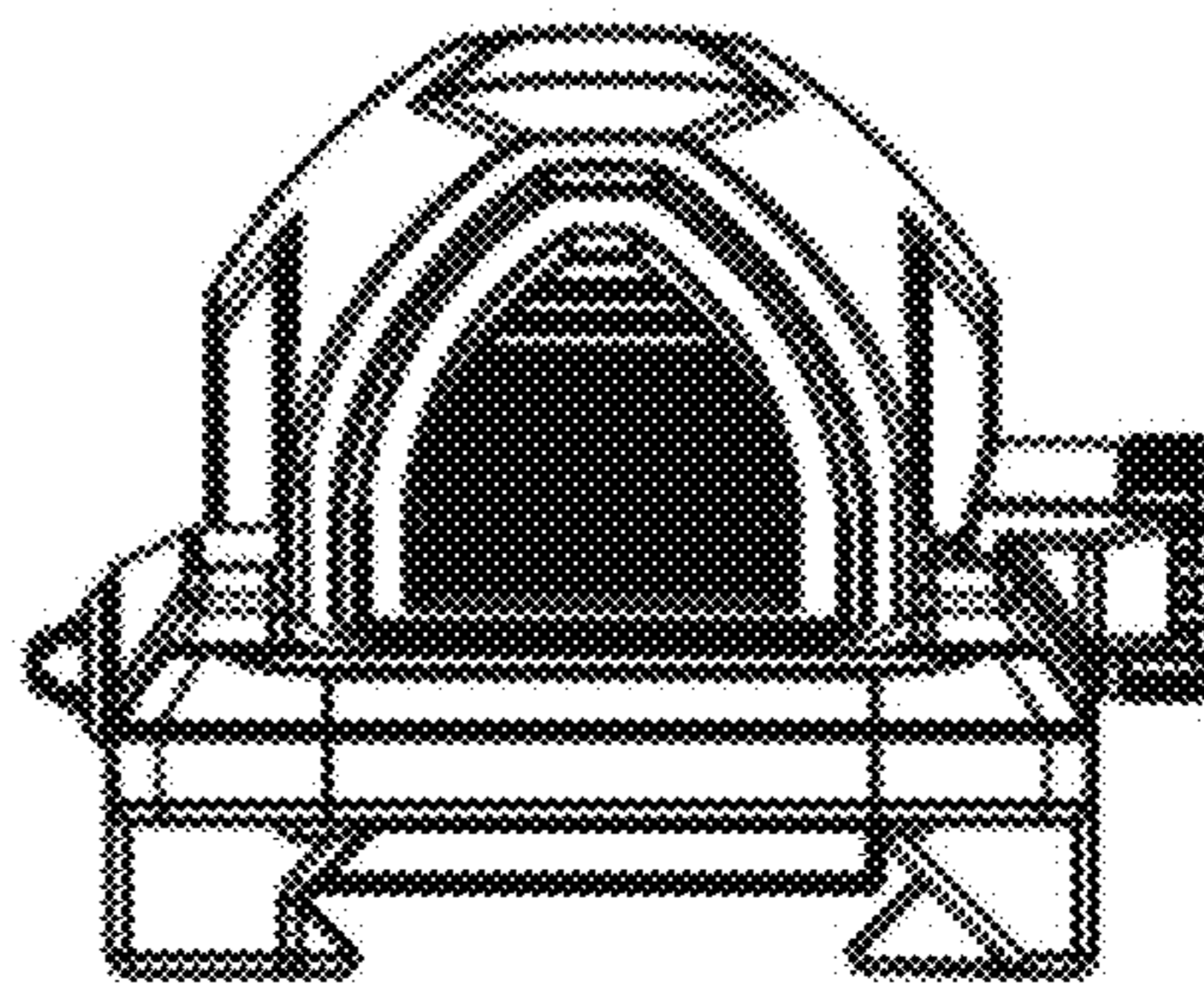


FIG. 7