



US00D829839S

(12) **United States Design Patent**
Crimi

(10) **Patent No.:** **US D829,839 S**
(45) **Date of Patent:** **** Oct. 2, 2018**

- (54) **SUN SHADE**
- (71) Applicant: **Charles Crimi**, Boynton Beach, FL (US)
- (72) Inventor: **Charles Crimi**, Boynton Beach, FL (US)
- (**) Term: **15 Years**
- (21) Appl. No.: **29/594,041**
- (22) Filed: **Feb. 15, 2017**
- (51) **LOC (11) Cl.** **21-04**
- (52) **U.S. Cl.**
USPC **D21/834**
- (58) **Field of Classification Search**
USPC D21/834, 835, 836, 837, 838, 839, 840
CPC E04H 15/00; E04H 15/02; E04H 15/18;
E04H 15/28; E04H 15/32; E04H 15/34;
E04H 15/40; E04H 15/42; E04H 15/425;
E04H 15/50
See application file for complete search history.

6,206,020	B1 *	3/2001	Lynch	E04H 15/50 135/128
7,296,584	B2 *	11/2007	Goldwitz	E04H 15/44 135/121
7,395,830	B2 *	7/2008	Seo	E04H 15/46 135/120.3
8,220,477	B2 *	7/2012	Park	E04H 15/50 135/131
8,776,816	B2 *	7/2014	Danziger	E04H 15/48 135/139
9,243,422	B2 *	1/2016	Hunt	E04H 15/18
9,869,110	B2 *	1/2018	Krenzel	E04H 15/18
2012/0291830	A1 *	11/2012	Crimi	E04H 15/58 135/117

* cited by examiner

Primary Examiner — Robin Valery Webster
Assistant Examiner — Keith J Wilson
(74) *Attorney, Agent, or Firm* — Allen F. Bennett;
Bennett Intellectual Property

(57) **CLAIM**

The ornamental design for a sun shade, as shown and described.

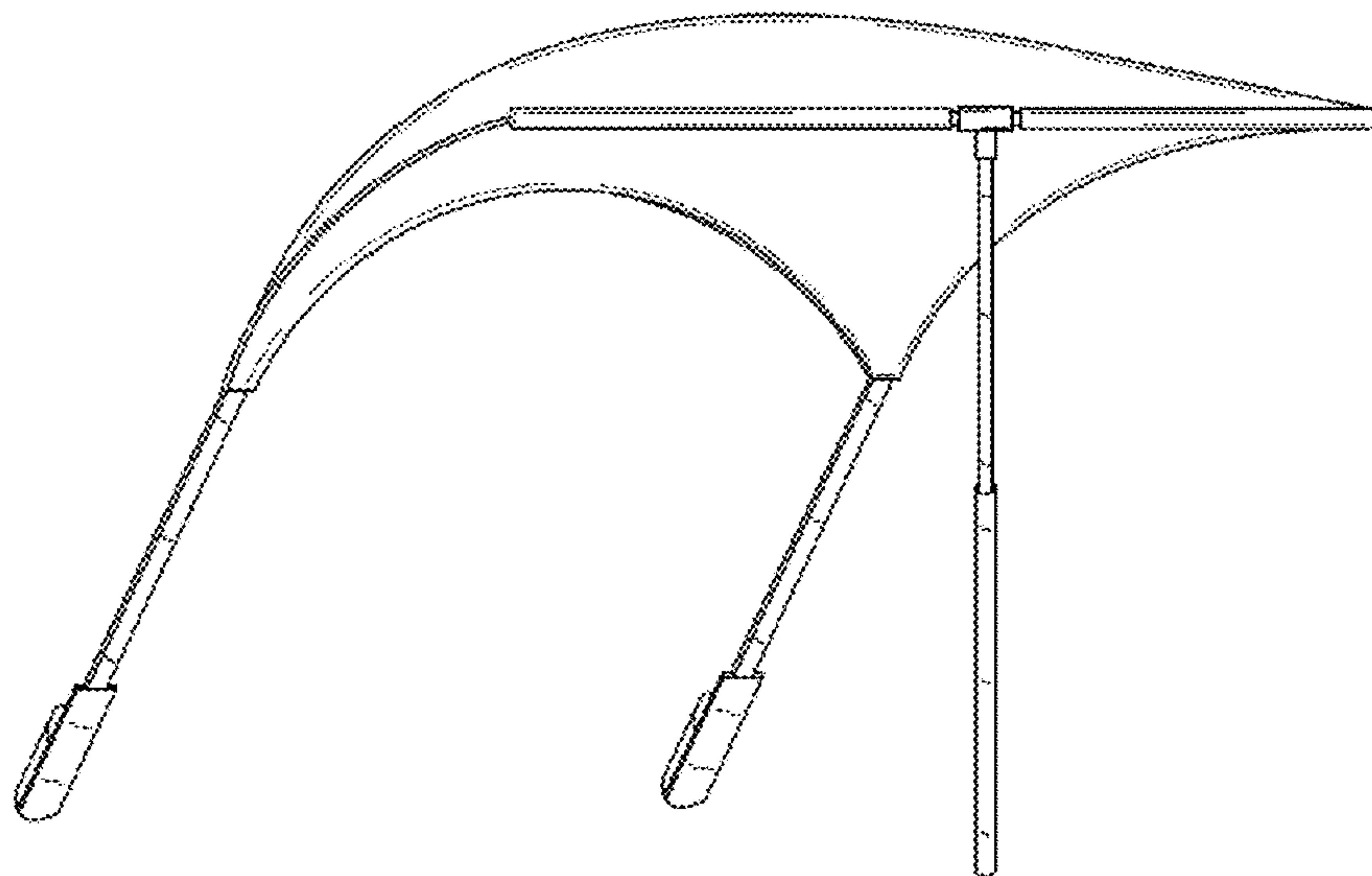
DESCRIPTION

FIG. 1 is a perspective view of a sunshade;
FIG. 2 is a front elevation view of the sunshade;
FIG. 3 is a back elevation view of the sunshade;
FIG. 4 is a right side elevation view of the sunshade;
FIG. 5 is a left side elevation view of the sunshade;
FIG. 6 is a top plan view of the sunshade;
FIG. 7 is a bottom plan view of the sunshade;
FIG. 8 is a perspective view of a sunshade having back supports attached; and,
FIG. 9 is a left side elevation view of a sunshade having back supports attached.

1 Claim, 5 Drawing Sheets

(56) **References Cited**
U.S. PATENT DOCUMENTS

4,286,612	A *	9/1981	Neal	A01K 1/033 135/115
4,641,676	A *	2/1987	Lynch	E04H 15/50 135/115
4,793,371	A *	12/1988	O'Ferrell	E04H 15/44 135/118
5,224,507	A *	7/1993	Vosse	E04H 15/58 135/115
5,421,356	A *	6/1995	Lynch	E04H 15/50 135/145
5,944,040	A *	8/1999	Jang	E04H 15/50 135/126



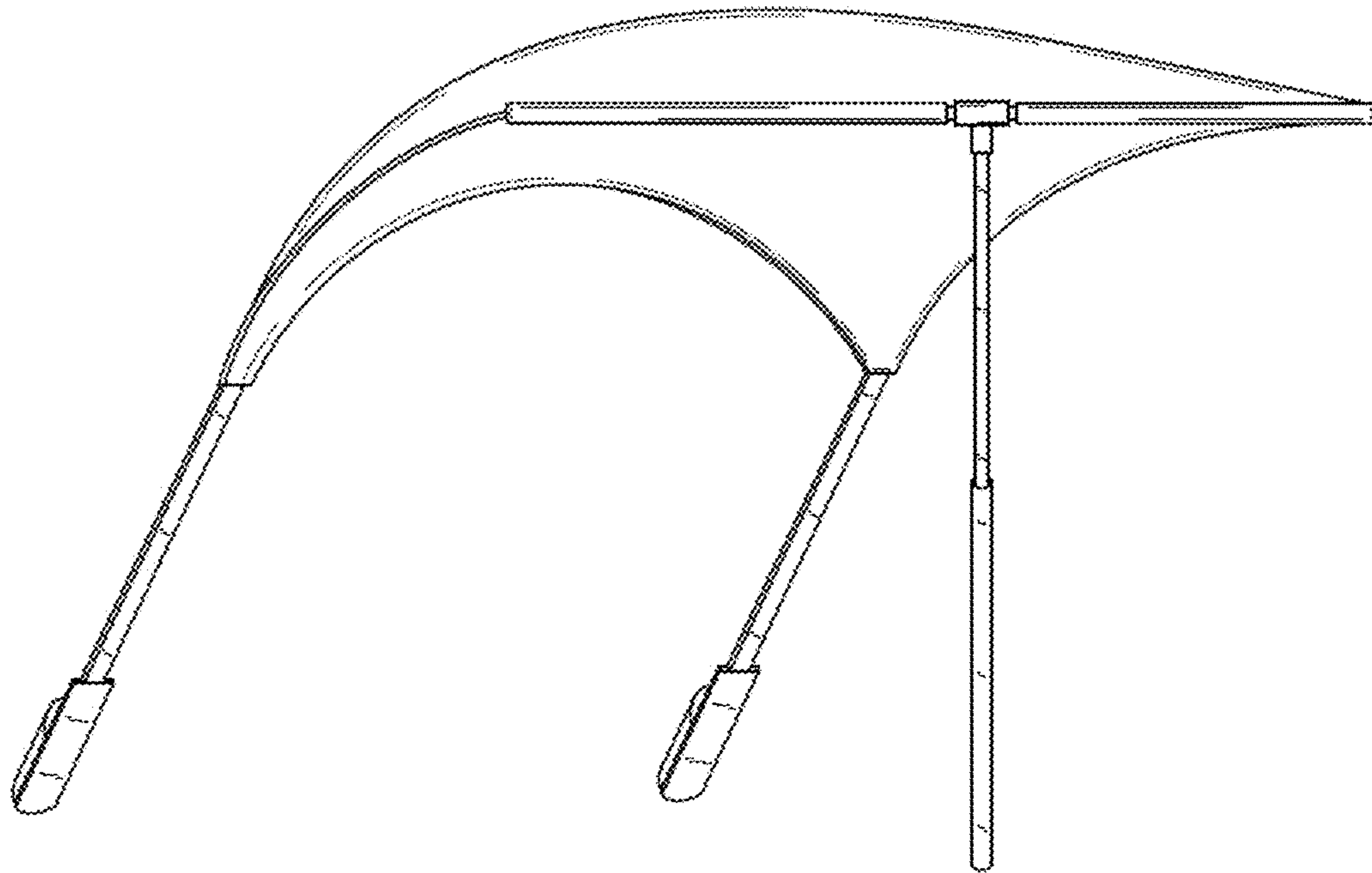


FIG. 1

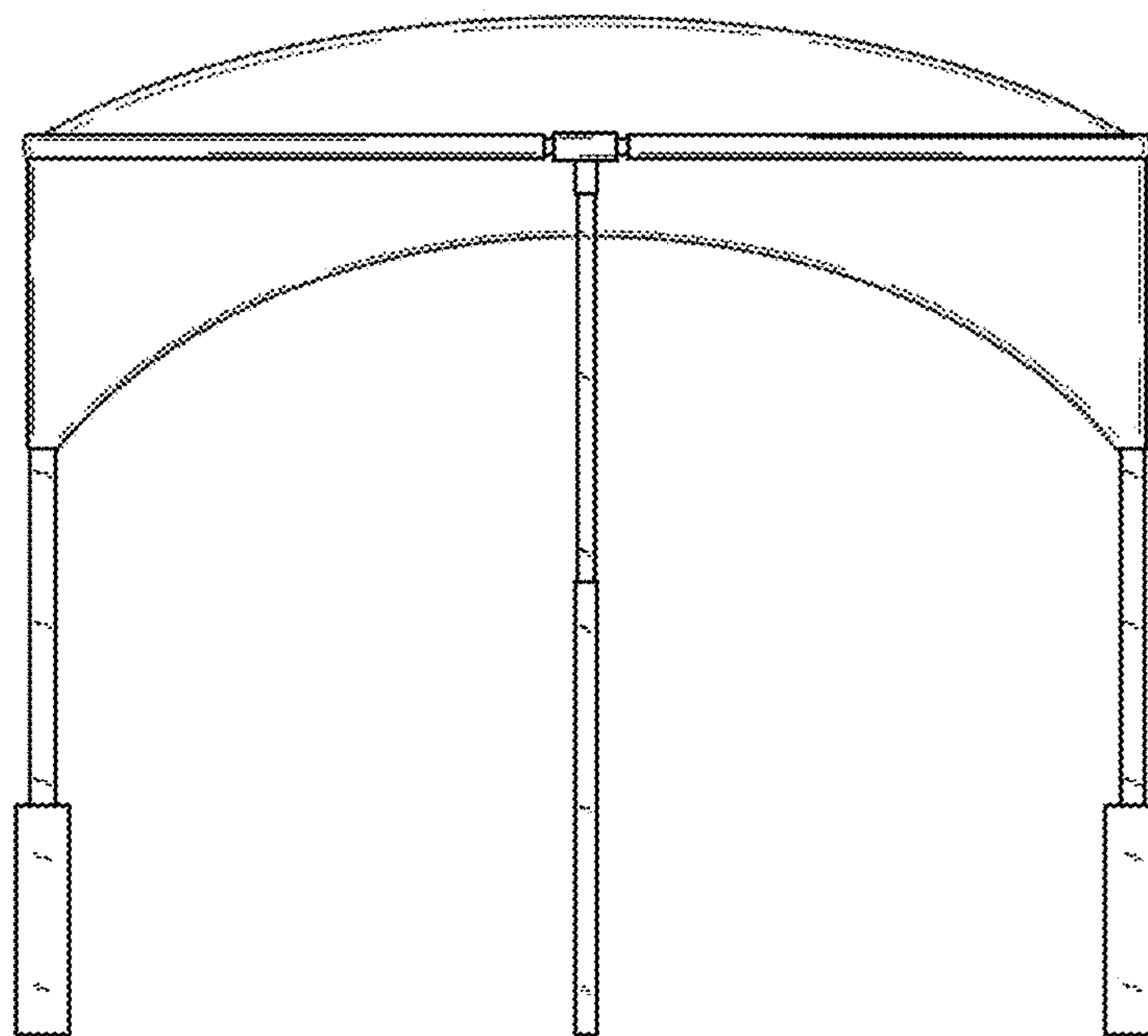


FIG. 2

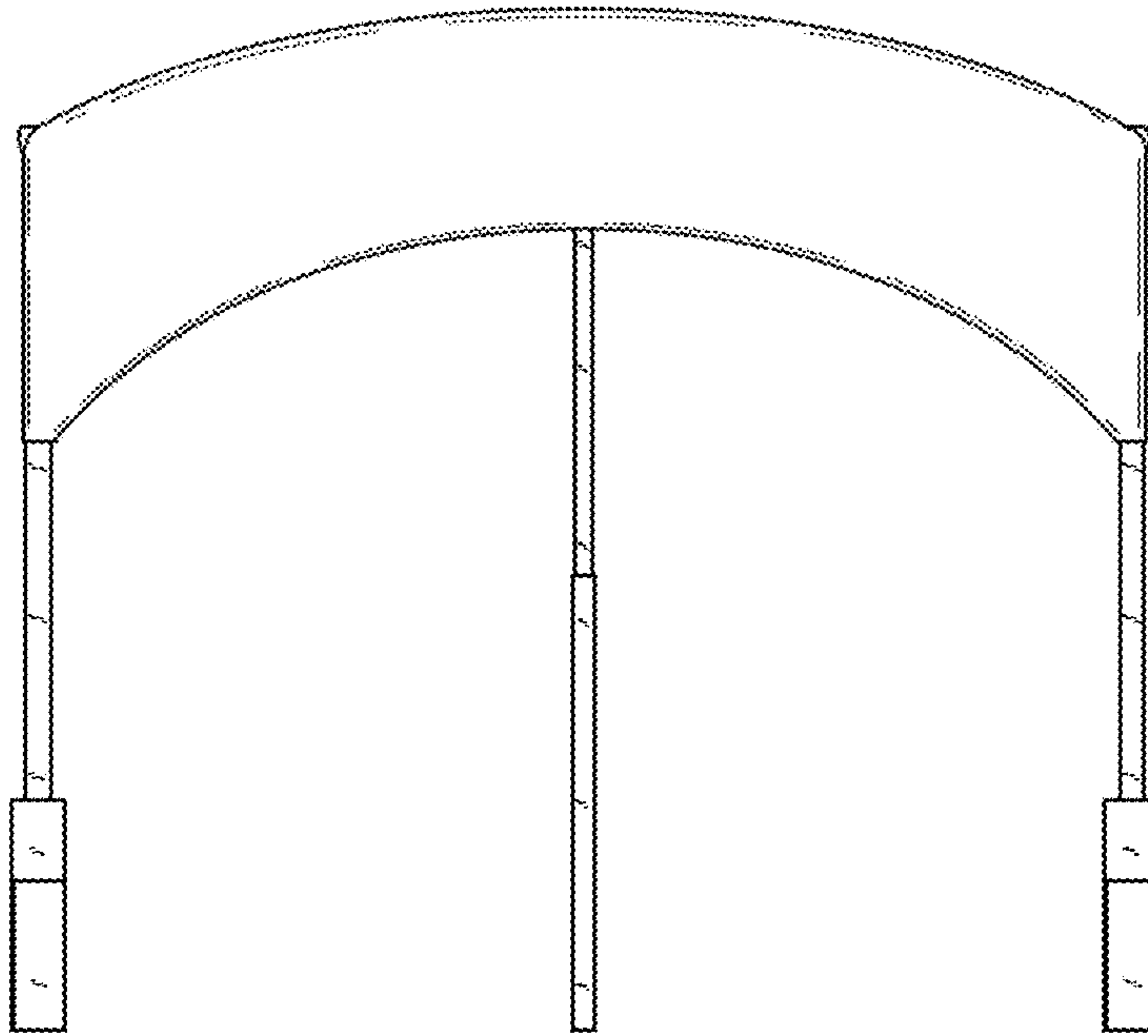


FIG. 3

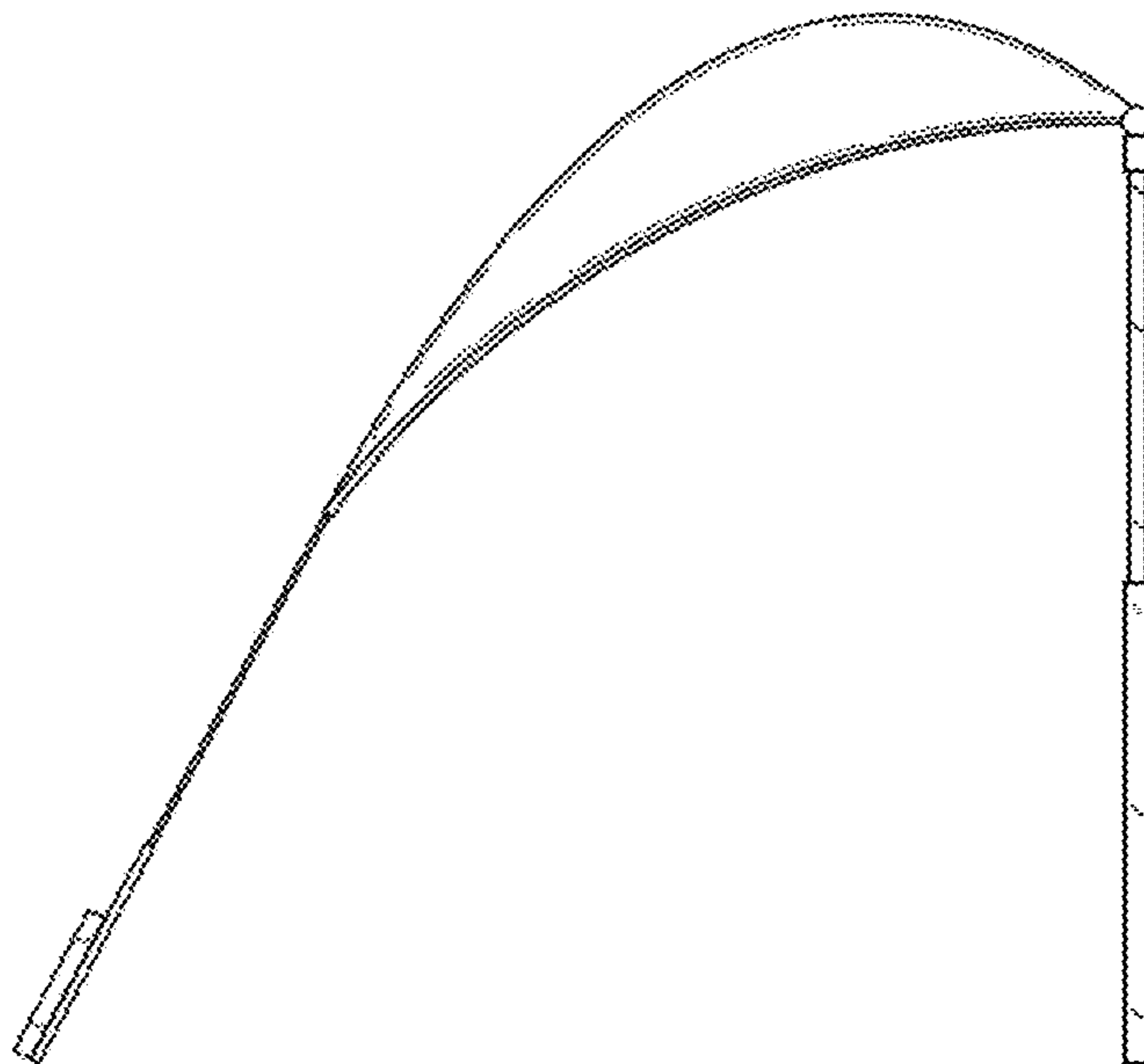


FIG. 4

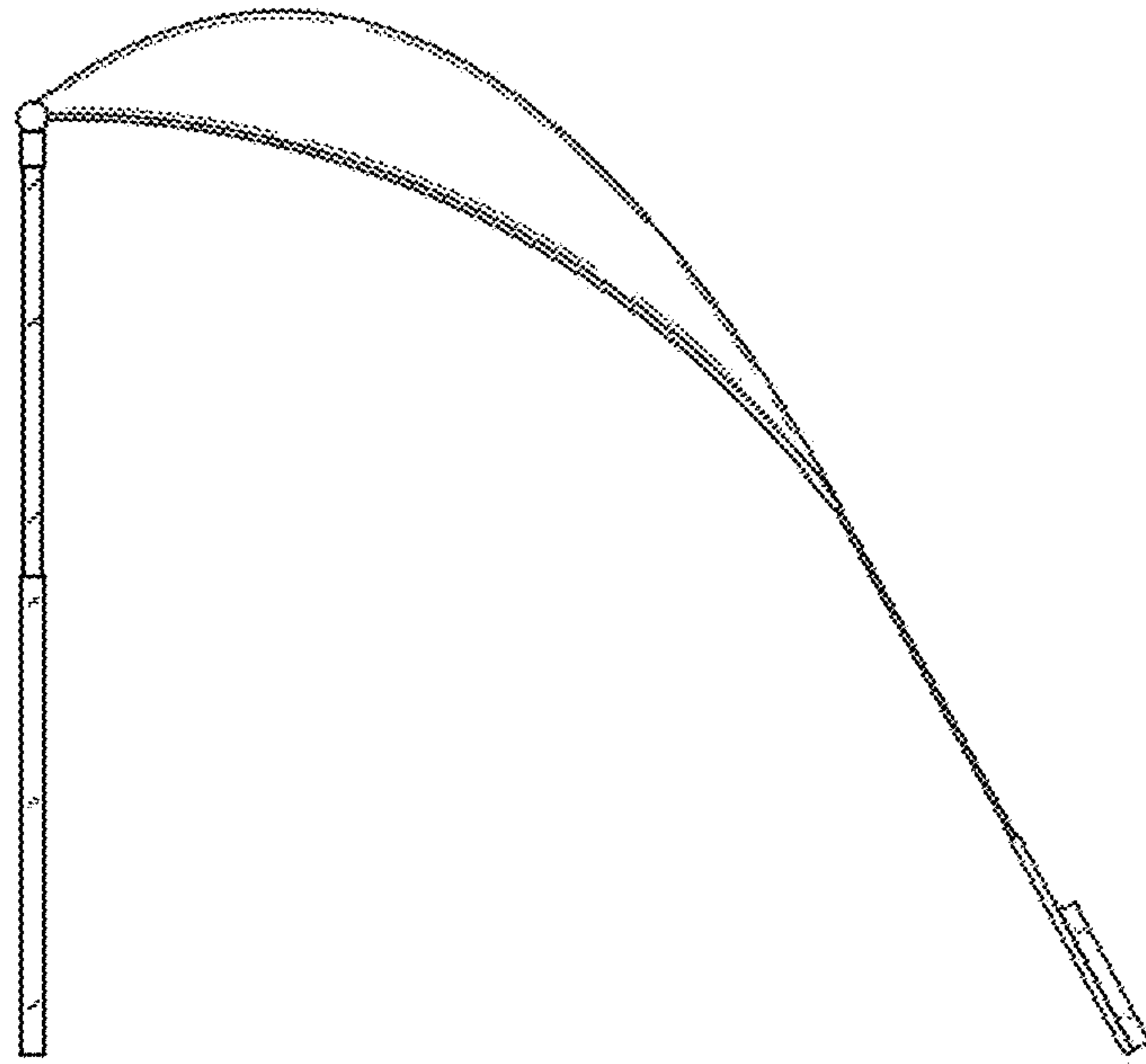


FIG. 5

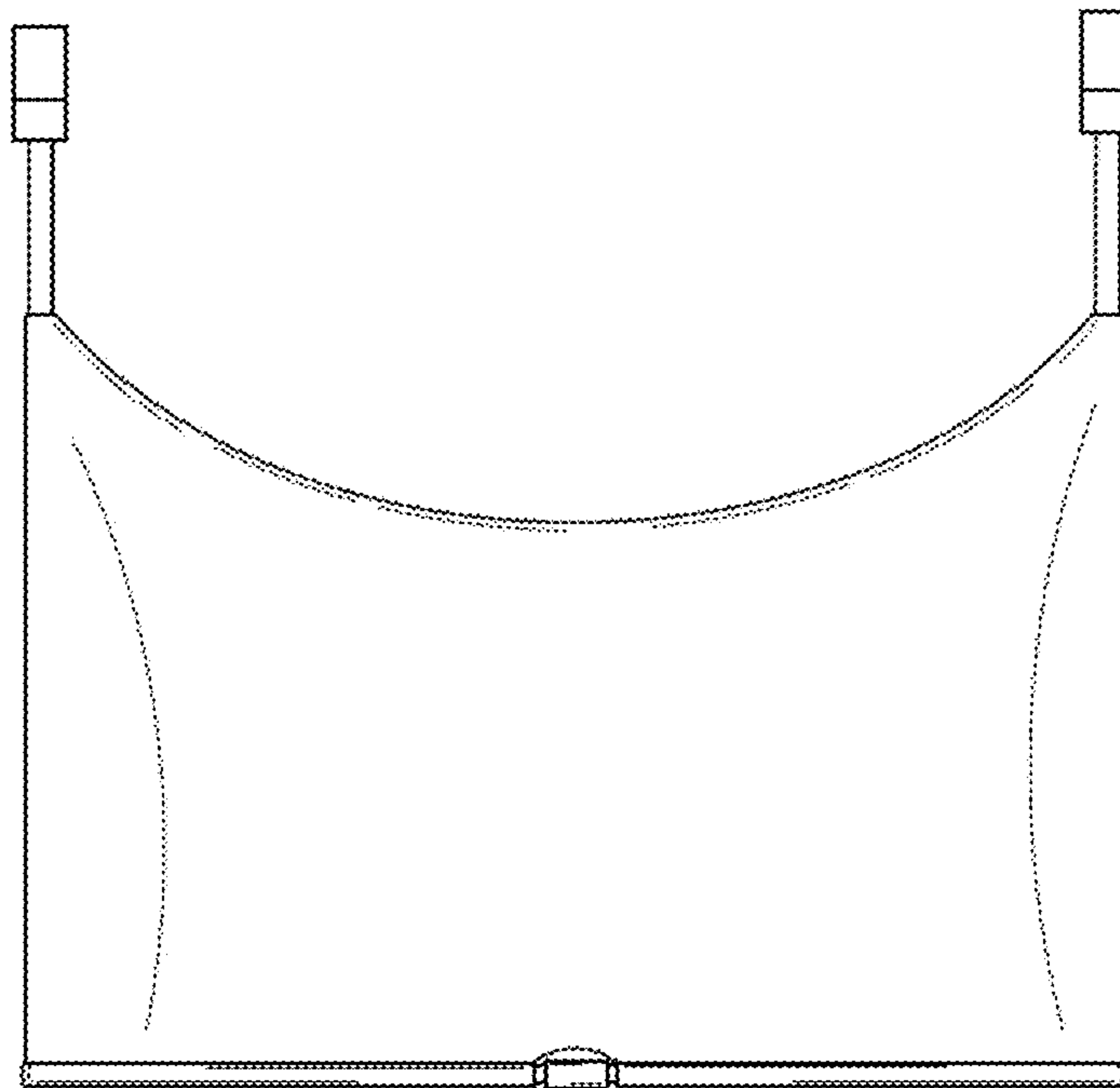


FIG. 6

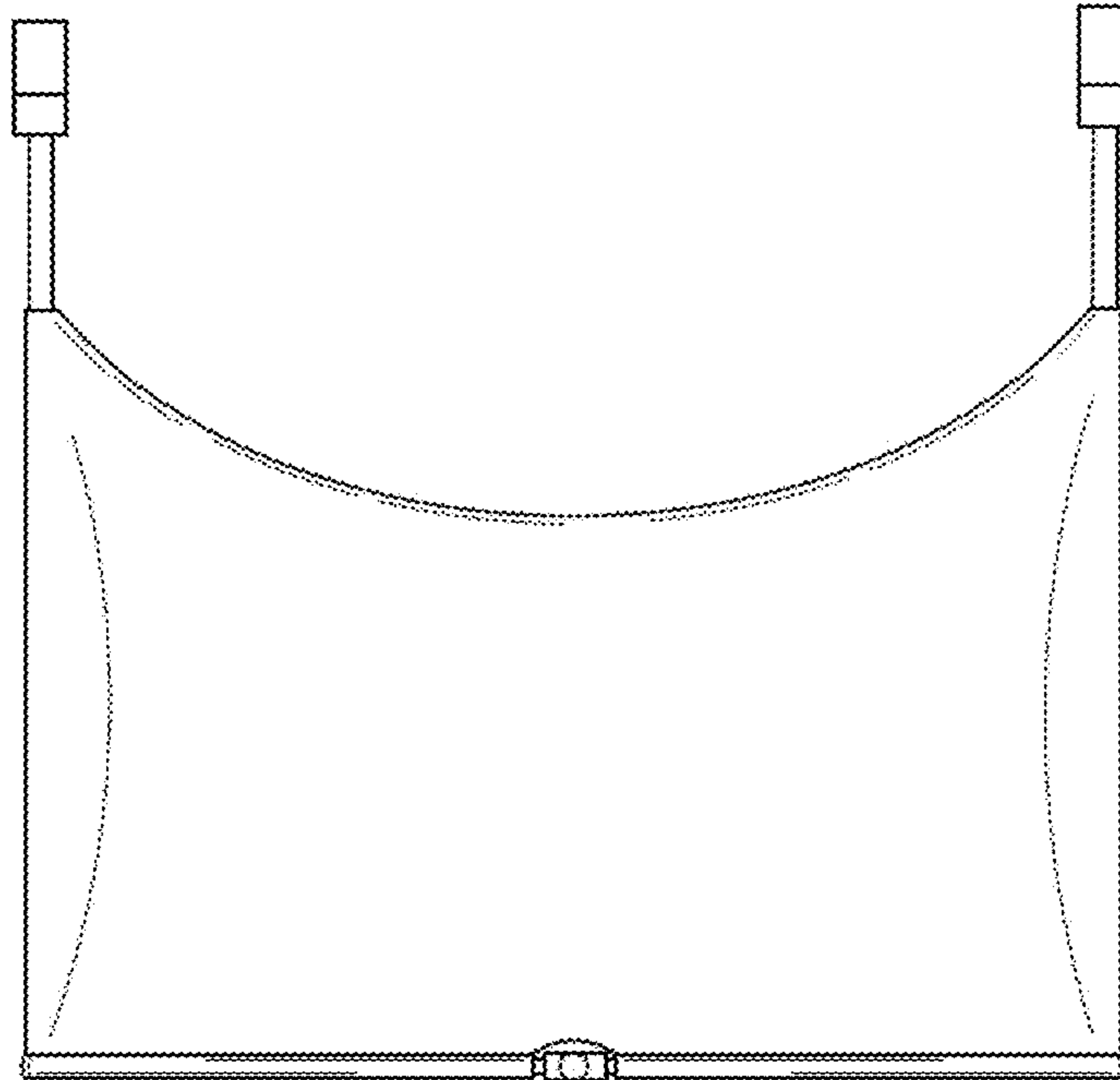


FIG. 7

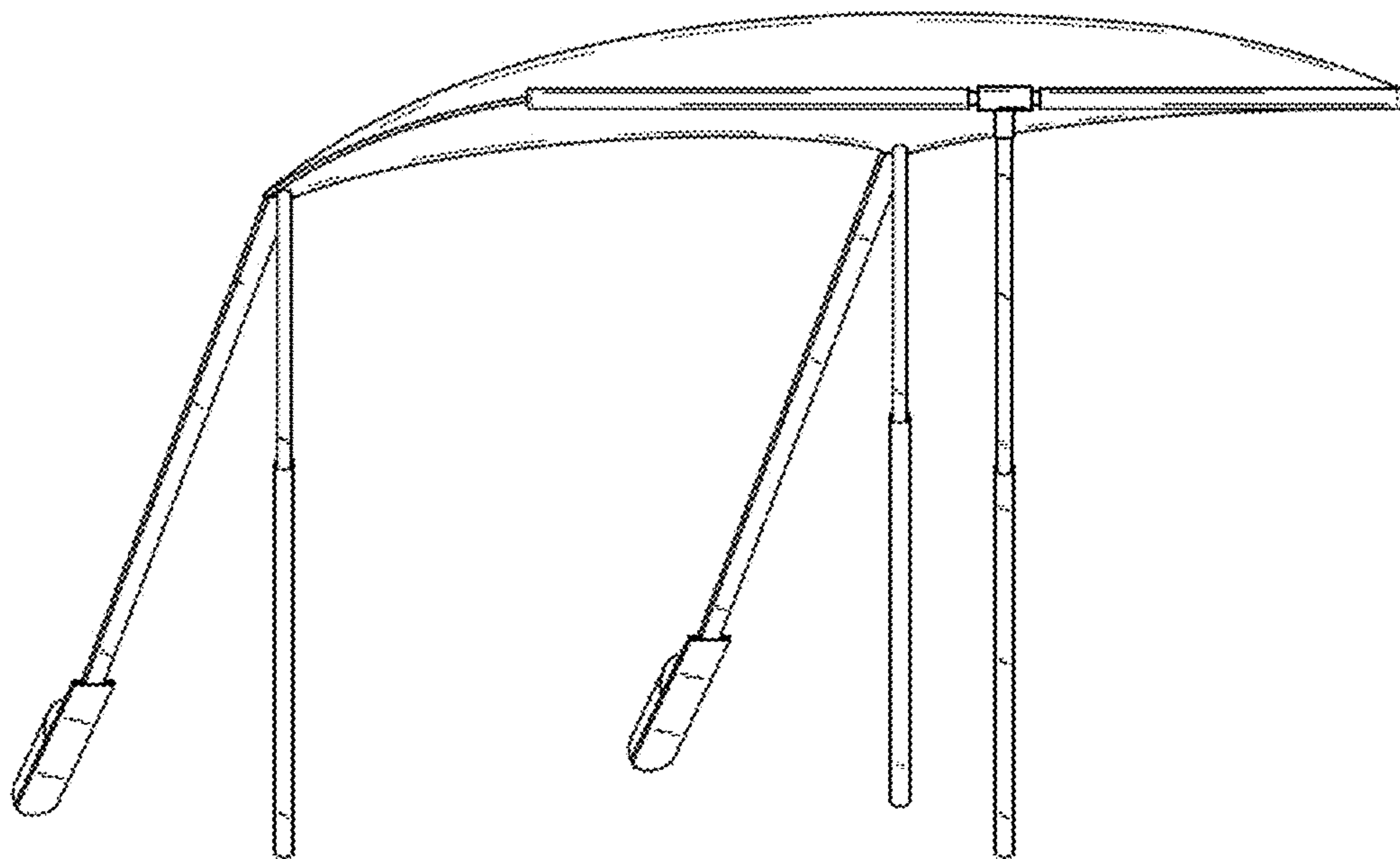


FIG. 8

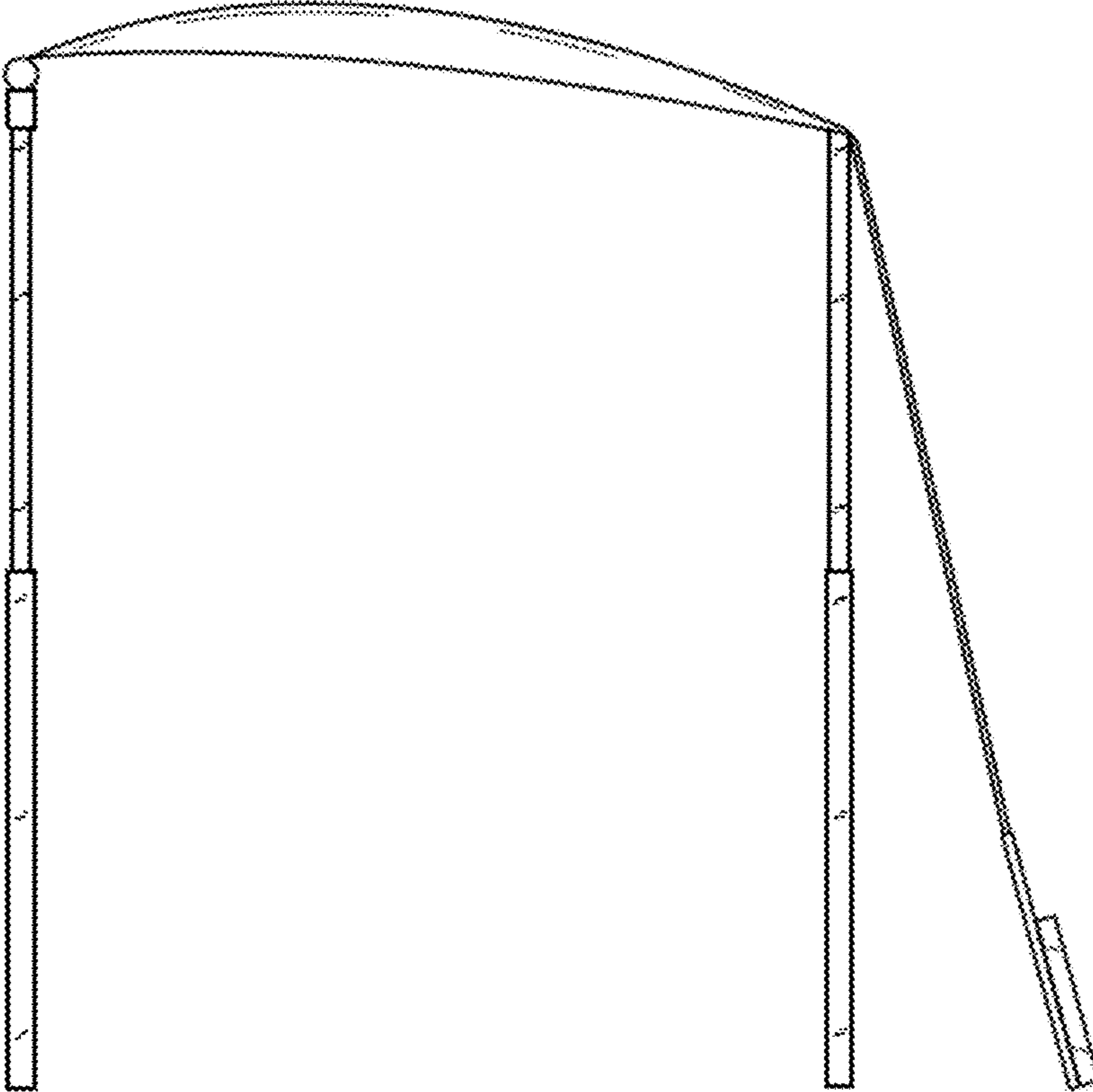


FIG. 9