



US00D829838S

(12) **United States Design Patent** (10) **Patent No.:** **US D829,838 S**
Huang (45) **Date of Patent:** **** Oct. 2, 2018**

- (54) **POWERED WHEELED BOARD**
- (71) Applicant: **RAZOR USA LLC**, Cerritos, CA (US)
- (72) Inventor: **Joey Chih-Wei Huang**, Temple City, CA (US)
- (73) Assignee: **Razor USA LLC**, Cerritos, CA (US)
- (**) Term: **15 Years**
- (21) Appl. No.: **29/633,000**
- (22) Filed: **Jan. 11, 2018**

- D246,065 S 10/1977 Saul
 - 4,060,253 A 11/1977 Oldendorf
 - 4,076,267 A 2/1978 Lipscomb
 - 4,082,306 A 4/1978 Sheldon
 - 4,092,033 A 5/1978 Swain
 - 4,093,252 A 6/1978 Rue
- (Continued)

FOREIGN PATENT DOCUMENTS

- GB 2318519 4/1998
 - GB 2464676 4/2010
- (Continued)

OTHER PUBLICATIONS

Micelle' Electric Wave Board [XinCheJian], URL-<http://xinchejian.com/2011/05/07/miclles-electric-wave-board/>.

(Continued)

Primary Examiner — Cynthia M. Chin
 (74) *Attorney, Agent, or Firm* — Knobbe, Martens, Olson & Bear, LLP

Related U.S. Application Data

- (63) Continuation of application No. 29/576,467, filed on Sep. 2, 2016.
- (51) **LOC (11) Cl.** **21-02**
- (52) **U.S. Cl.**
USPC **D21/765**
- (58) **Field of Classification Search**
USPC D21/419, 421, 423, 426, 760, 765, 766, D21/769, 771, 776, 803; 280/7.14, 280/11.115, 11.19, 11.27, 11.28, 14.21, 280/87.01, 87.021, 87.03, 87.041, 87.042, 280/607, 608, 609, 809; 180/180, 181, 180/167; 434/247, 253, 258
CPC A63C 17/01; A63C 17/011; A63C 17/012; A63C 17/014; A63C 17/015; A63C 17/02; A63C 17/26; A63C 5/003; A63B 69/0022; B60Q 1/326; B62K 3/001
See application file for complete search history.

(57) **CLAIM**

The ornamental design for a powered wheeled board, as shown and described.

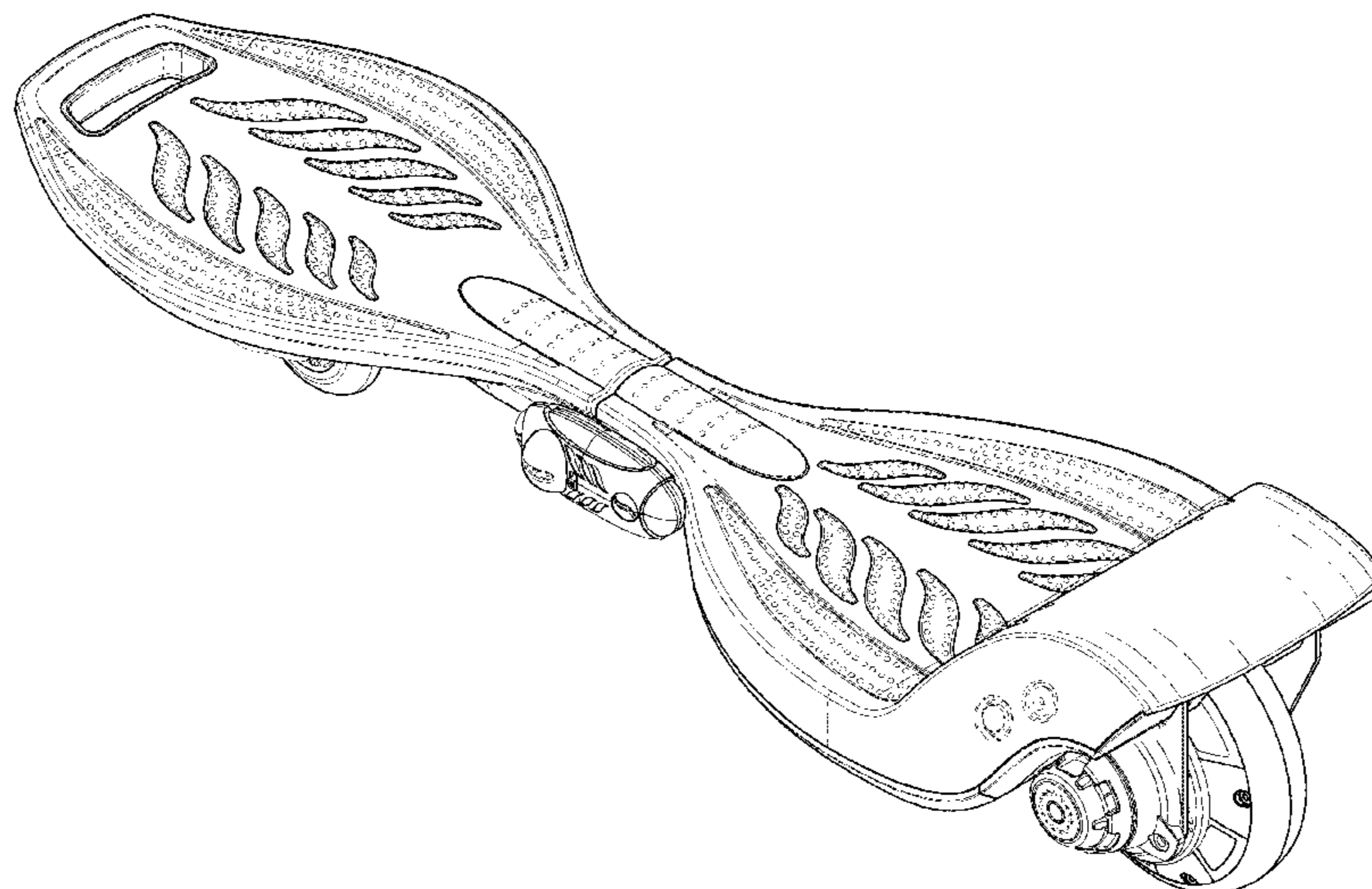
DESCRIPTION

FIG. 1 is a top, rear, left-side perspective view showing powered wheeled board of my design;
 FIG. 2 is a bottom, rear, left-side perspective view thereof;
 FIG. 3 is a top view thereof;
 FIG. 4 is a bottom view thereof;
 FIG. 5 is a left-side view thereof;
 FIG. 6 is a right-side view thereof;
 FIG. 7 is a front view thereof; and,
 FIG. 8 is a rear view thereof.

The broken lines illustrate portions of the powered wheeled board that form no part of the claim.

1 Claim, 6 Drawing Sheets

- (56) **References Cited**
U.S. PATENT DOCUMENTS
- | | | |
|-------------|--------|----------|
| 2,051,762 A | 8/1936 | Vincent |
| 3,399,906 A | 9/1968 | Portnoff |
| 3,982,766 A | 9/1976 | Budge |
| D243,206 S | 1/1977 | Sherwood |



(56)

References Cited

U.S. PATENT DOCUMENTS

D250,492 S 12/1978 Kish
 4,140,326 A 2/1979 Huber
 4,245,848 A 1/1981 Dudouyt
 4,295,656 A 10/1981 Moore
 4,411,442 A 10/1983 Rills
 4,915,403 A 4/1990 Wild
 4,921,513 A 5/1990 Parten
 4,930,794 A 6/1990 Chan
 4,955,626 A 9/1990 Smith
 5,098,087 A 3/1992 Matile
 5,160,155 A 11/1992 Barachet
 5,267,743 A 12/1993 Smisek
 D345,406 S 3/1994 Shankland
 D346,418 S 4/1994 Fischbach
 5,330,026 A 7/1994 Hsu et al.
 5,419,570 A 5/1995 Bollotte
 5,458,351 A 10/1995 Yu
 5,505,474 A 4/1996 Yeh
 5,540,455 A 7/1996 Chambers
 5,549,331 A 8/1996 Yun
 5,566,956 A 10/1996 Wang
 5,601,299 A 2/1997 Yun
 5,622,759 A 4/1997 Fuster
 5,707,068 A 1/1998 Bradfield
 5,826,895 A 10/1998 Bradfield
 5,853,182 A 12/1998 Finkle
 5,855,385 A 1/1999 Hambsch
 5,893,425 A 4/1999 Finkle
 D410,515 S 6/1999 Alexander
 D413,954 S 9/1999 Gerlach
 5,984,328 A 11/1999 Tipton
 D422,661 S 4/2000 Edward et al.
 D422,662 S 4/2000 Edwards et al.
 6,059,303 A 5/2000 Bradfield
 6,102,415 A 8/2000 Stewardson
 6,193,249 B1 2/2001 Buscaglia
 6,206,389 B1 3/2001 Yagi
 6,254,113 B1 7/2001 Dornan
 D456,047 S 4/2002 Mandic
 6,494,467 B1 12/2002 Menges
 6,502,850 B1 1/2003 Schaller et al.
 6,669,215 B2 12/2003 Laporte
 D503,763 S 4/2005 Morgan
 D506,427 S 6/2005 Weber
 6,910,698 B2 6/2005 Turner et al.
 6,979,006 B2 12/2005 Pierron
 7,044,486 B2 5/2006 Wright
 7,083,178 B2 8/2006 Potter
 7,195,259 B2 3/2007 Gang
 7,198,280 B2 4/2007 Hara
 D552,201 S 10/2007 Kwak
 D556,283 S 11/2007 Hamborg et al.
 D564,613 S 3/2008 Hamborg
 7,338,056 B2 3/2008 Chen et al.
 7,367,572 B2* 5/2008 Jiang A63C 17/01
 280/87.021
 D572,332 S 7/2008 Sramek et al.
 D577,789 S 9/2008 Mazur
 D607,521 S 1/2010 Chables et al.
 D607,524 S 1/2010 Marciano
 D608,851 S 1/2010 Hillman
 D614,714 S 4/2010 Walworth
 7,775,534 B2 8/2010 Chen et al.
 D623,701 S* 9/2010 Dalgaard D21/423
 D638,494 S 5/2011 Scolari et al.
 8,047,556 B2* 11/2011 Jang A63C 17/0033
 280/87.041
 8,118,319 B2* 2/2012 Hsieh A63C 17/0033
 280/87.021
 D655,772 S 3/2012 Bin
 D673,233 S 12/2012 Baggett
 8,408,565 B2* 4/2013 An A63C 17/0033
 280/87.042

8,414,000 B2 4/2013 Chen
 8,469,376 B2 6/2013 Kristiansen
 D692,079 S 10/2013 Mackay
 D692,080 S 10/2013 Hamborg et al.
 8,632,084 B2 1/2014 Lovley, II et al.
 D698,881 S 2/2014 Hamborg
 D699,803 S 2/2014 Yamabe
 D705,372 S 5/2014 Harris
 8,857,831 B1 10/2014 Rotondo
 8,915,506 B2 12/2014 Piacieski et al.
 D724,166 S 3/2015 Hamborg et al.
 D728,048 S 4/2015 Stover
 D739,906 S 9/2015 Chen
 9,186,570 B1 11/2015 Wells
 D770,585 S 11/2016 Desberg
 D785,115 S 4/2017 Ying
 D790,015 S 6/2017 Tan
 9,682,309 B2 6/2017 Huang
 D792,931 S 7/2017 Desberg
 2002/0043774 A1 4/2002 Chou
 2002/0149166 A1 10/2002 Potter
 2003/0124923 A1 7/2003 Mercer
 2003/0155733 A1 8/2003 Tan et al.
 2004/0262872 A1 12/2004 Kang
 2006/0049595 A1 3/2006 Crigler
 2006/0055137 A1 3/2006 Jiang
 2006/0163830 A1 7/2006 Kwak
 2007/0001414 A1 1/2007 Kang
 2007/0132199 A1* 6/2007 Smith A63C 5/03
 280/14.21
 2007/0272465 A1 11/2007 Su
 2007/0273118 A1 11/2007 Conrad
 2009/0058028 A1* 3/2009 Chen A63C 17/0033
 280/87.042
 2009/0200764 A1 8/2009 Jang et al.
 2011/0037238 A1 2/2011 Devine
 2012/0007331 A1 1/2012 Hsieh
 2012/0187648 A1 7/2012 Chen
 2013/0001910 A1 1/2013 Hsu
 2014/0210175 A1 7/2014 Hsu
 2018/0015354 A1 1/2018 Huang

FOREIGN PATENT DOCUMENTS

JP H01-117385 U 8/1989
 JP 2001-029663 2/2001
 KR 1020050060368 6/2005
 KR 200410530 3/2006
 SU 1405865 4/1986
 WO WO 1993/01870 A1 2/1993
 WO WO 2002/040116 5/2002
 WO WO 2004/105901 A1 12/2004
 WO WO 2006/022472 3/2006
 WO WO 2007/102645 9/2007
 WO WO 2007/117092 10/2007
 WO WO 2009/036074 3/2009
 WO WO 2016/086066 6/2016

OTHER PUBLICATIONS

About: Skateboarding; The Wave <http://skateboard.about.com/cs/fringeboarding/gr/XBoard.html>.
 The Wave, Streetsurfing, <http://www.street surfing .com/wave/ skating .html>.
 "About: Skateboarding; Other Boardsports", <http://skateboard.about .corn/cs/fringeboarding/gr/?once-true&>.
 PCT Search Report and Written Opinion for International Application No. PCT/US2015/062534 dated Feb. 15, 2016.
 International Preliminary Report on Patentability for International Application No. PCT/US2015/062534, dated Jun. 8, 2017, in 8 pages.

* cited by examiner

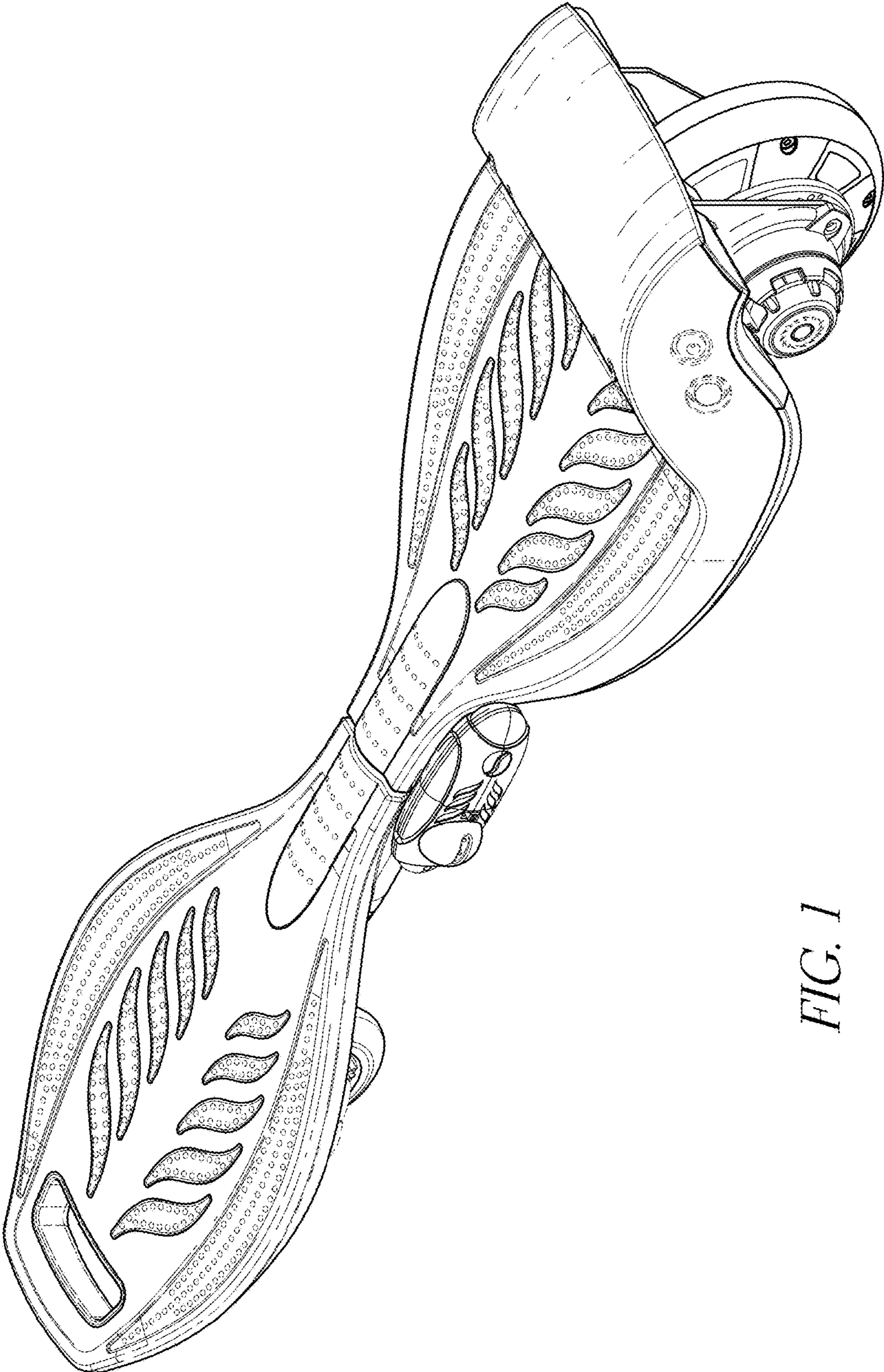


FIG. 1

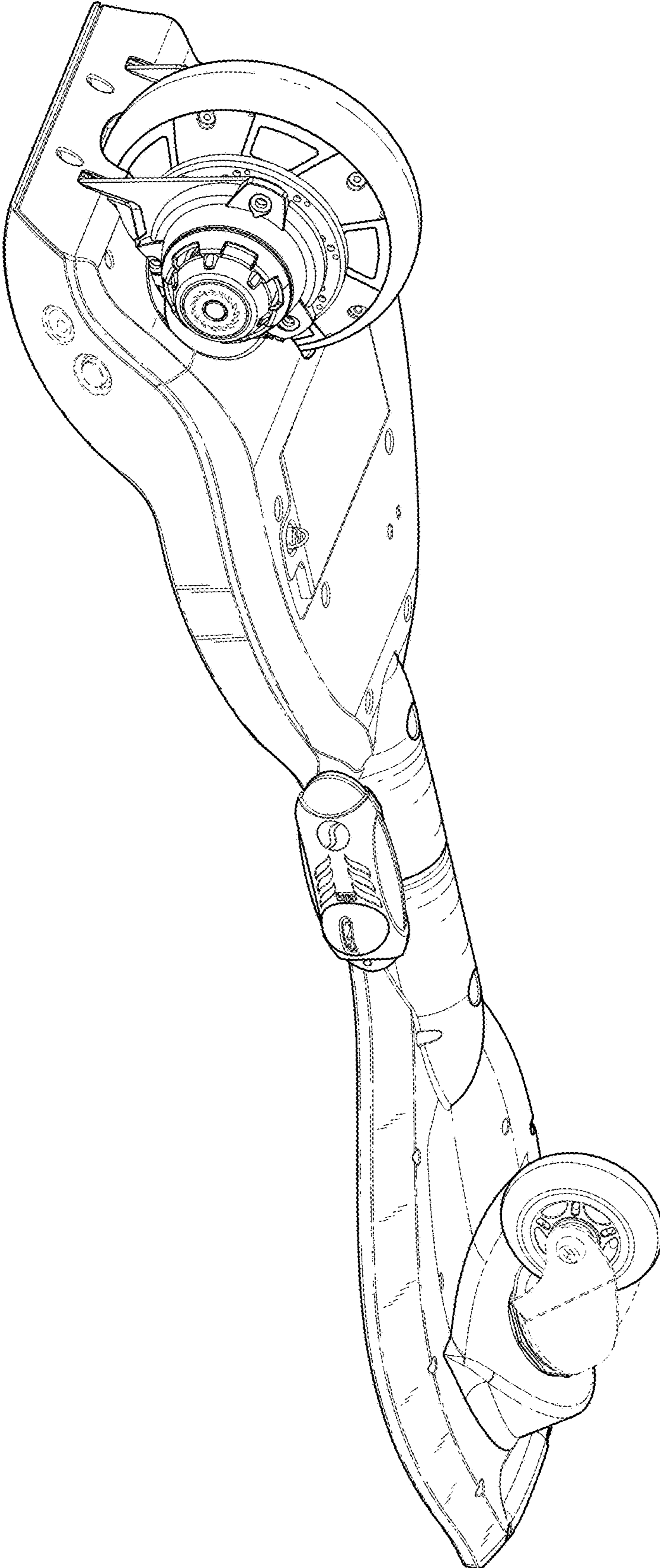


FIG. 2

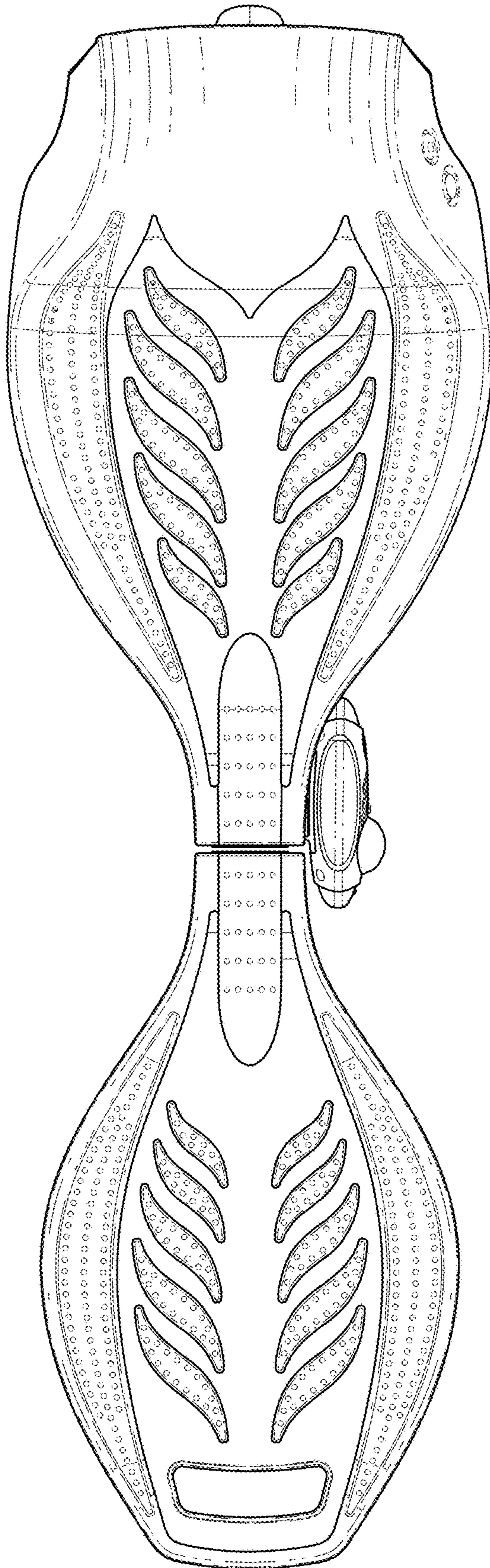


FIG. 3

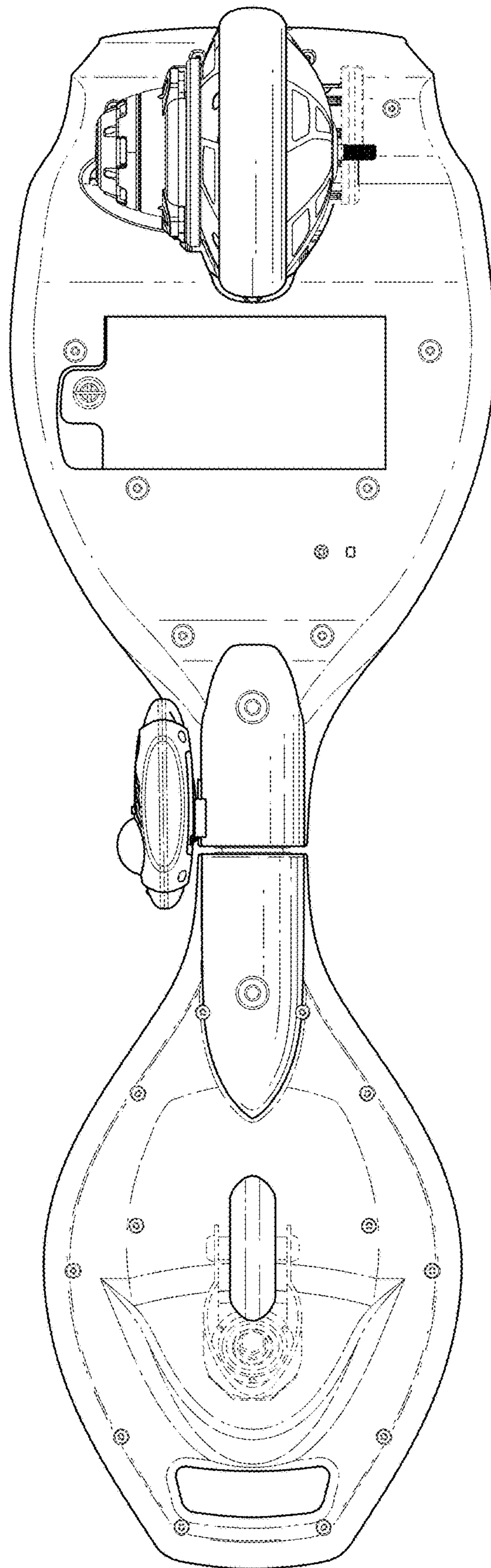


FIG. 4

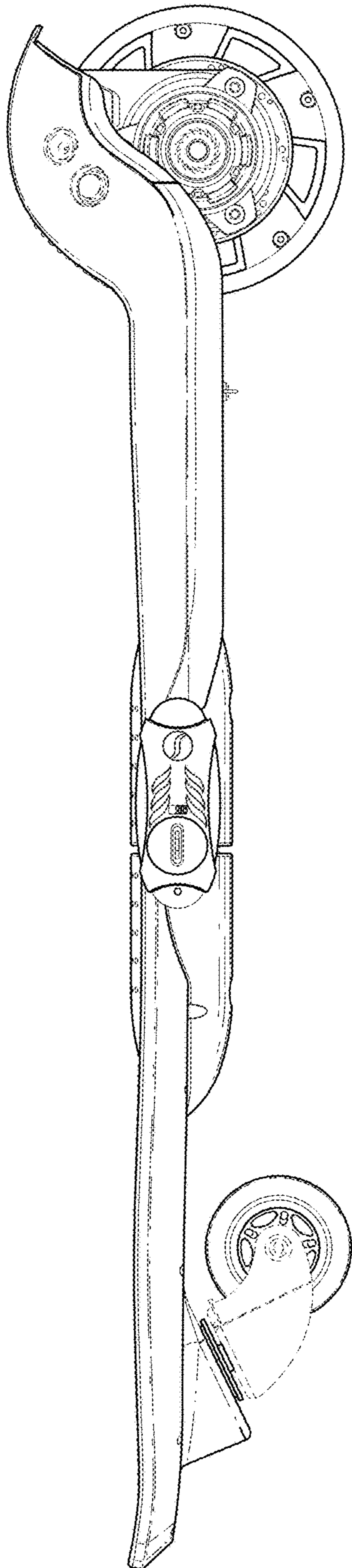


FIG. 5

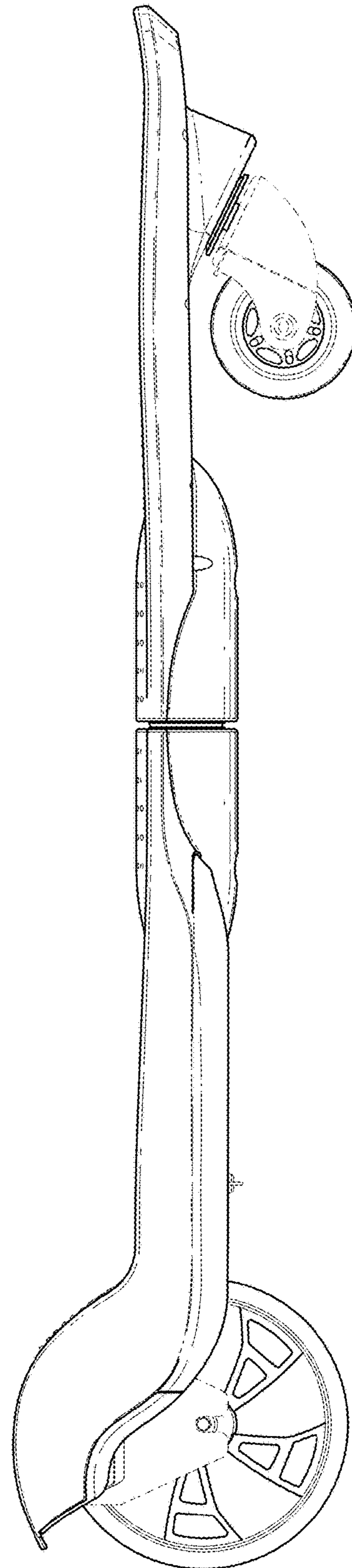


FIG. 6

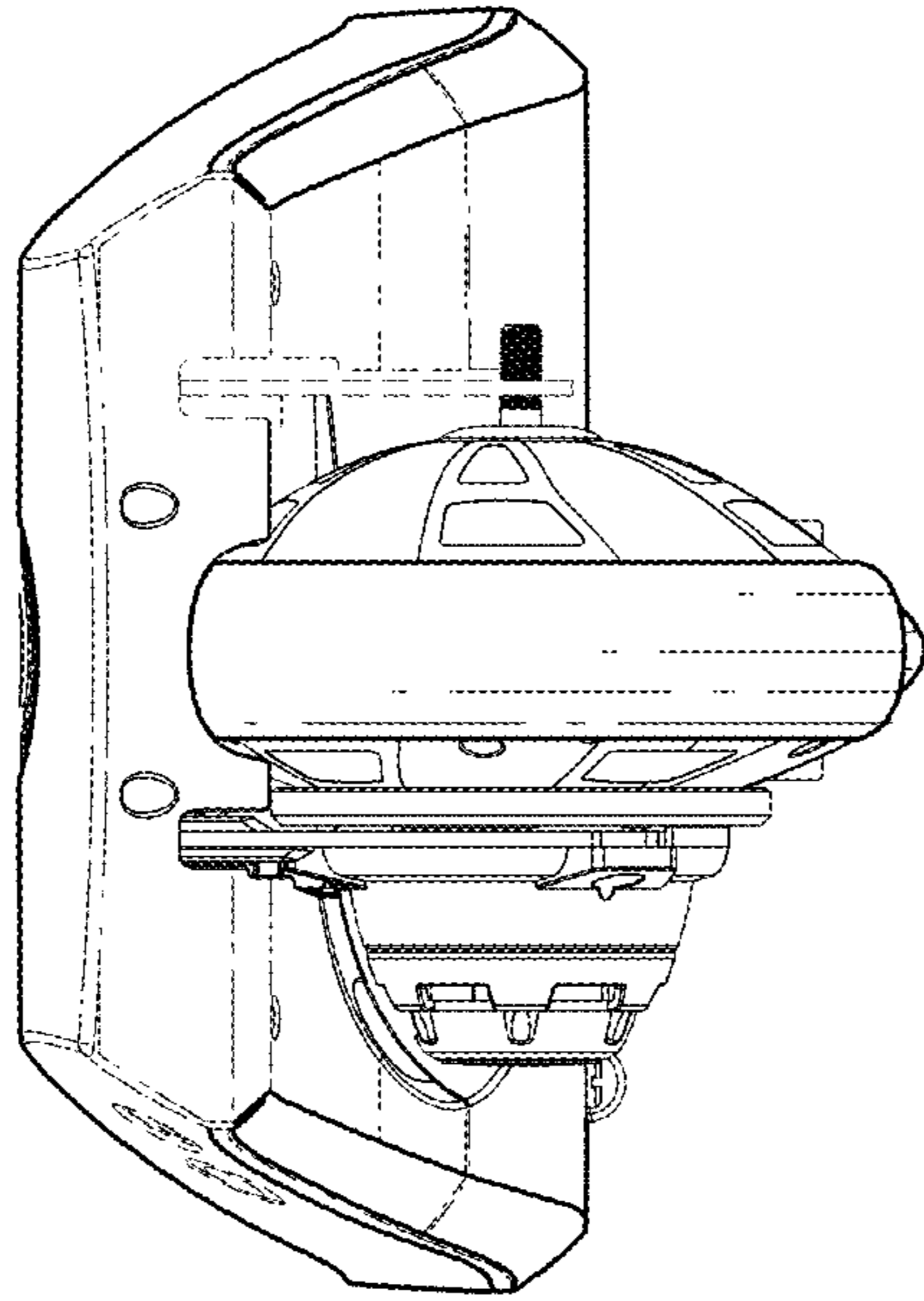


FIG. 8

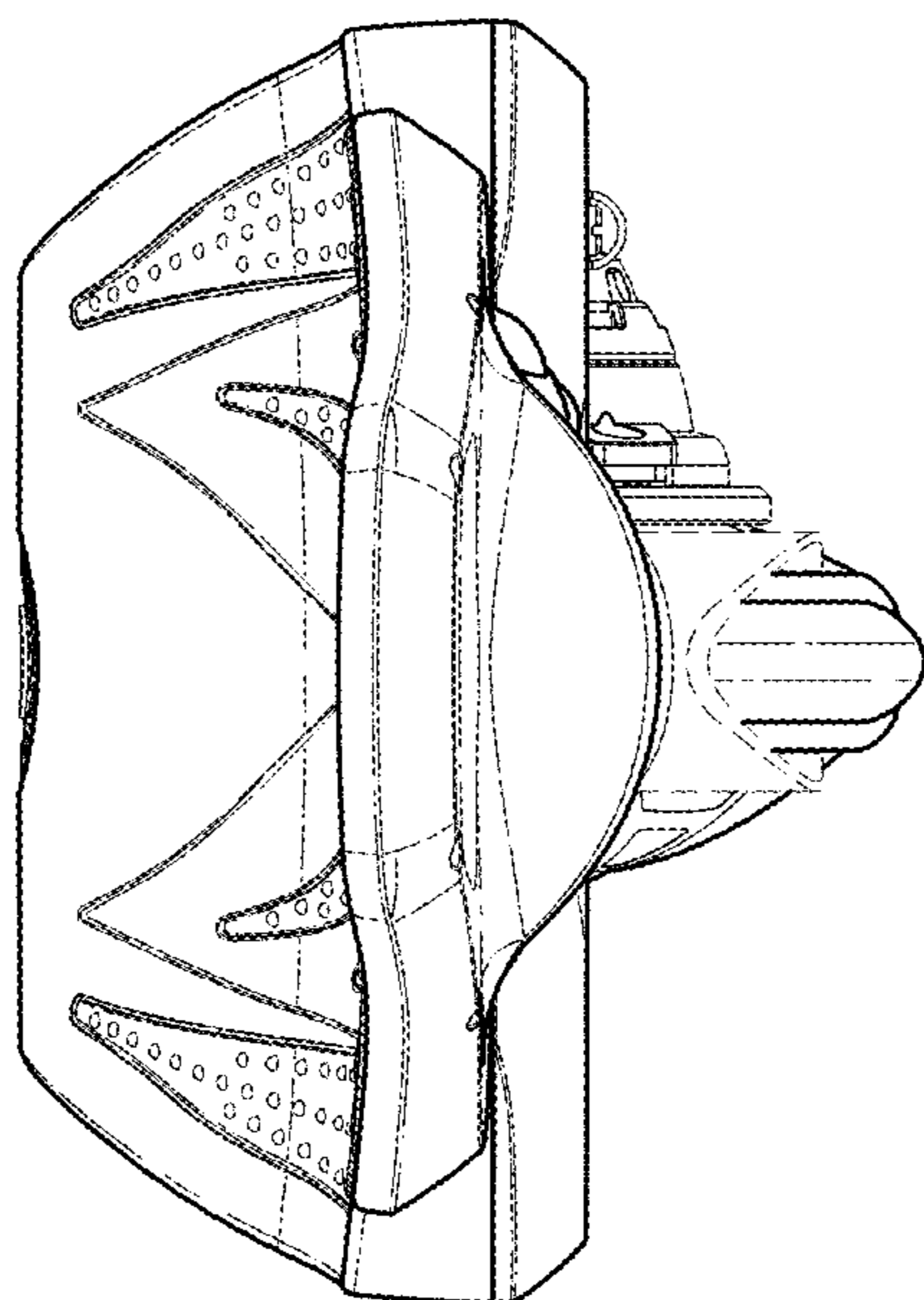


FIG. 7