



US00D829833S

(12) **United States Design Patent** (10) **Patent No.:** **US D829,833 S**
Snyder et al. (45) **Date of Patent:** **** Oct. 2, 2018**

(54) **TRANSMITTER**
(71) Applicant: **HORIZON HOBBY, LLC**,
Champaign, IL (US)
(72) Inventors: **Danny Snyder**, Champaign, IL (US);
Mirco Pecorari, Modena (IT)
(73) Assignee: **HORIZON HOBBY, LLC**,
Champaign, IL (US)
(**) Term: **15 Years**
(21) Appl. No.: **29/575,251**
(22) Filed: **Aug. 23, 2016**
(51) **LOC (11) Cl.** **21-01**
(52) **U.S. Cl.**
USPC **D21/566**
(58) **Field of Classification Search**
USPC D21/324, 328, 332, 333, 566
CPC G08C 17/02; G08C 2201/00; G08C
2201/30; G08C 2201/32; A63H 30/00;
A63H 30/02; A63H 30/04; G05G 9/04;
G05G 9/047
See application file for complete search history.

(56) **References Cited**
U.S. PATENT DOCUMENTS
D514,172 S * 1/2006 Jinno D21/566
D517,129 S * 3/2006 Yamamoto D21/566
D521,573 S * 5/2006 Jinno D21/566

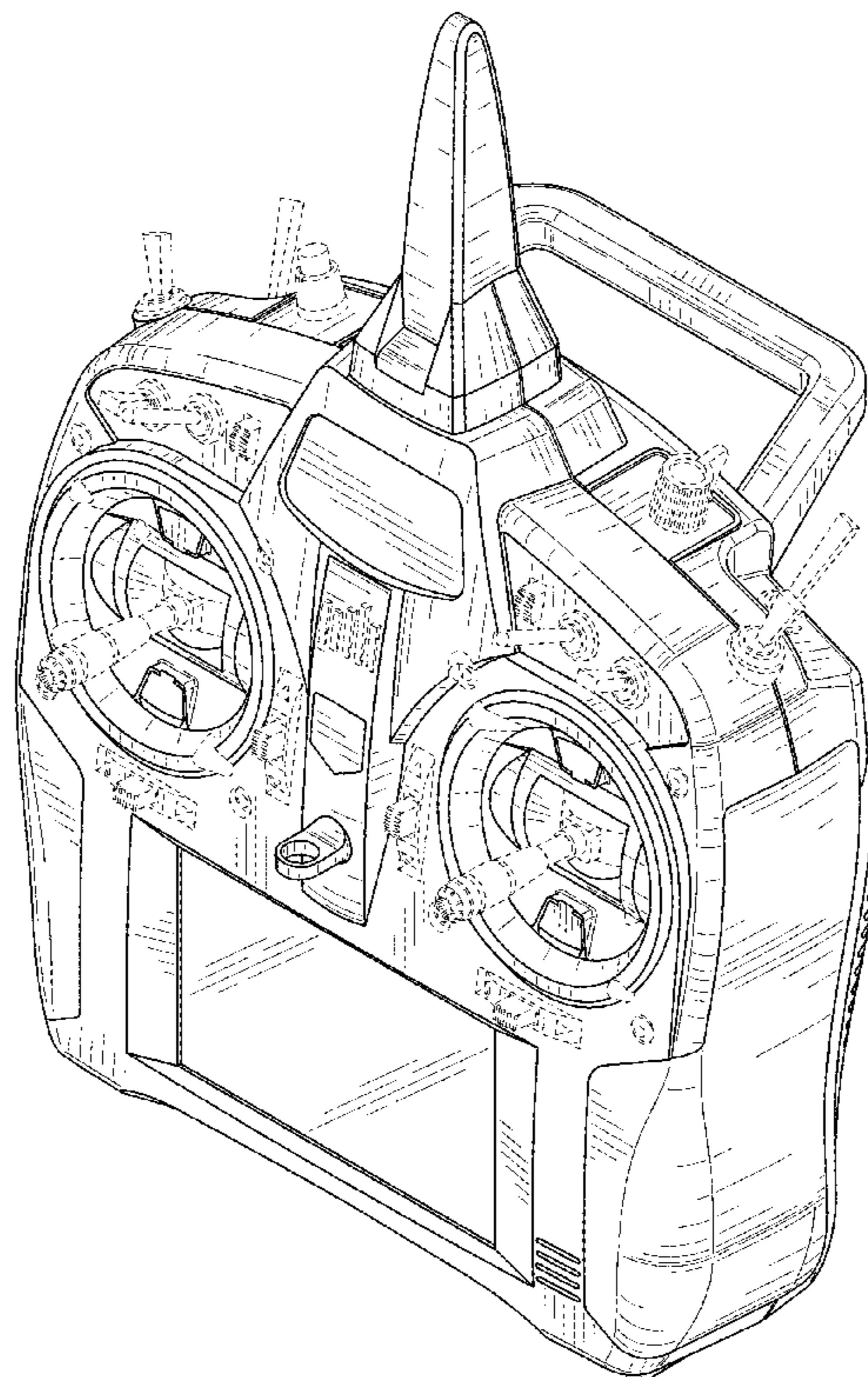
D546,905 S * 7/2007 Arai D21/566
D573,204 S * 7/2008 Arai D21/566
D594,071 S * 6/2009 Jinno D21/566
D636,825 S * 4/2011 Tanaka D21/566
D650,021 S * 12/2011 Suzuki D21/566
D670,768 S * 11/2012 Isono D21/566
D740,708 S * 10/2015 Pecorari D21/566
D774,933 S * 12/2016 Pecorari D10/104.1
D780,269 S * 2/2017 Isono D21/566

* cited by examiner
Primary Examiner — George D Kirschbaum
Assistant Examiner — Joseph J Kukella
(74) *Attorney, Agent, or Firm* — Baker Botts L.L.P.

(57) **CLAIM**
The ornamental design for a transmitter, as shown and described.

DESCRIPTION
FIG. 1 is a perspective view of the new design for a transmitter;
FIG. 2 is a front view thereof;
FIG. 3 is a rear view thereof;
FIG. 4 is a right side view thereof;
FIG. 5 is a left side view thereof;
FIG. 6 is a top view thereof;
FIG. 7 is a bottom view thereof; and,
FIG. 8 is a perspective view of thereof.
The broken lines illustrate portions of the transmitter that form no part of the claimed design.

1 Claim, 7 Drawing Sheets



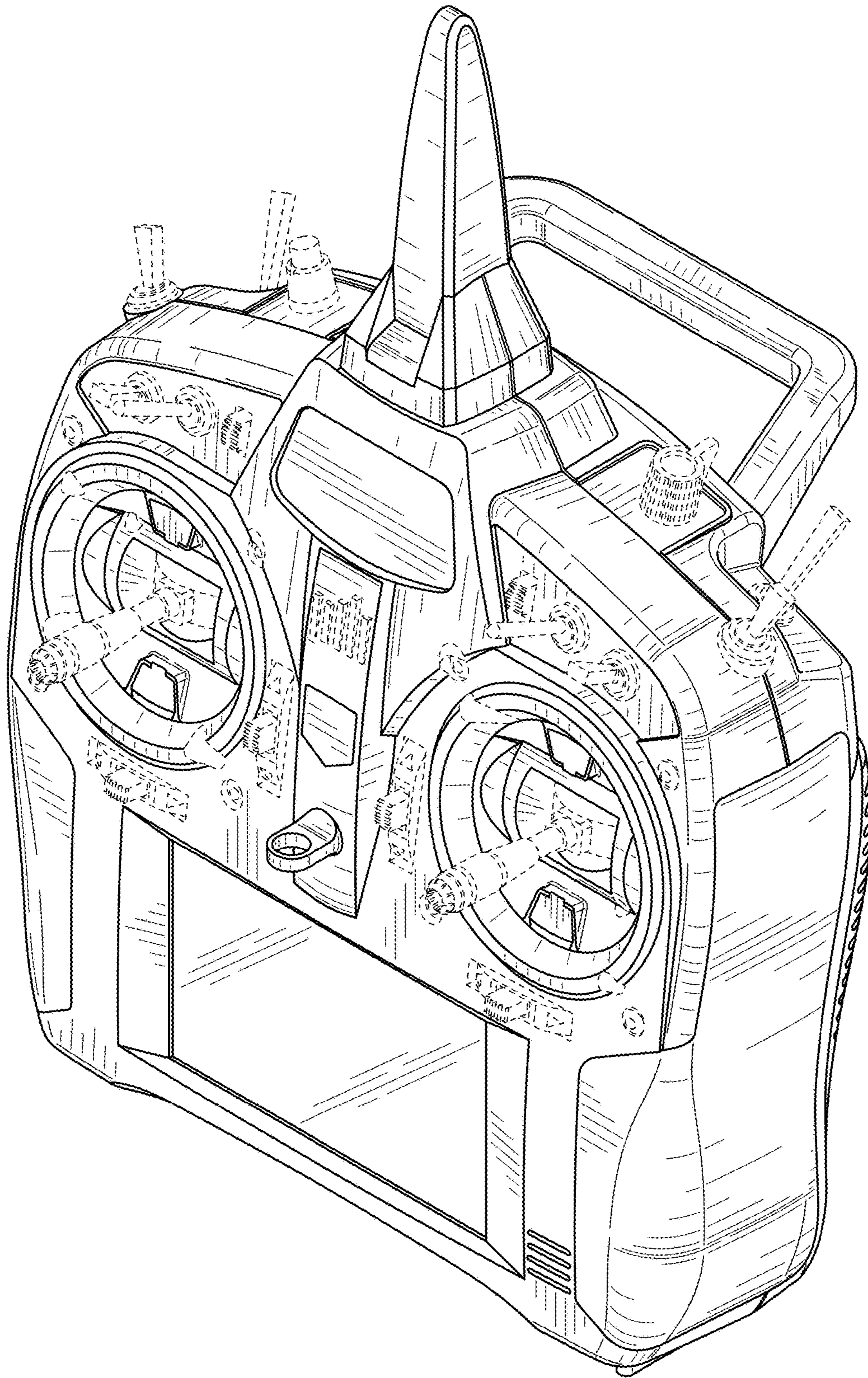


FIG. 1

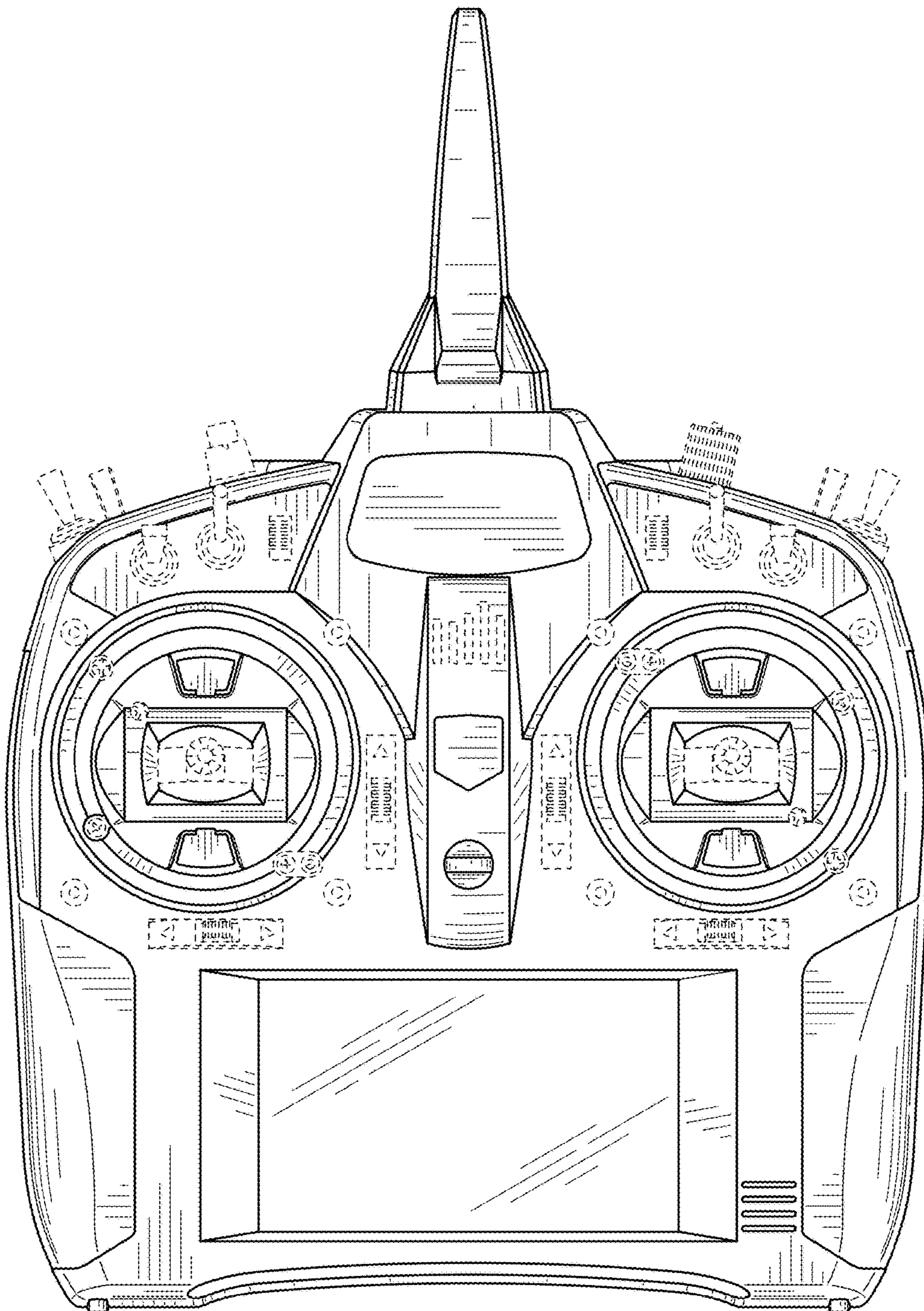


FIG. 2

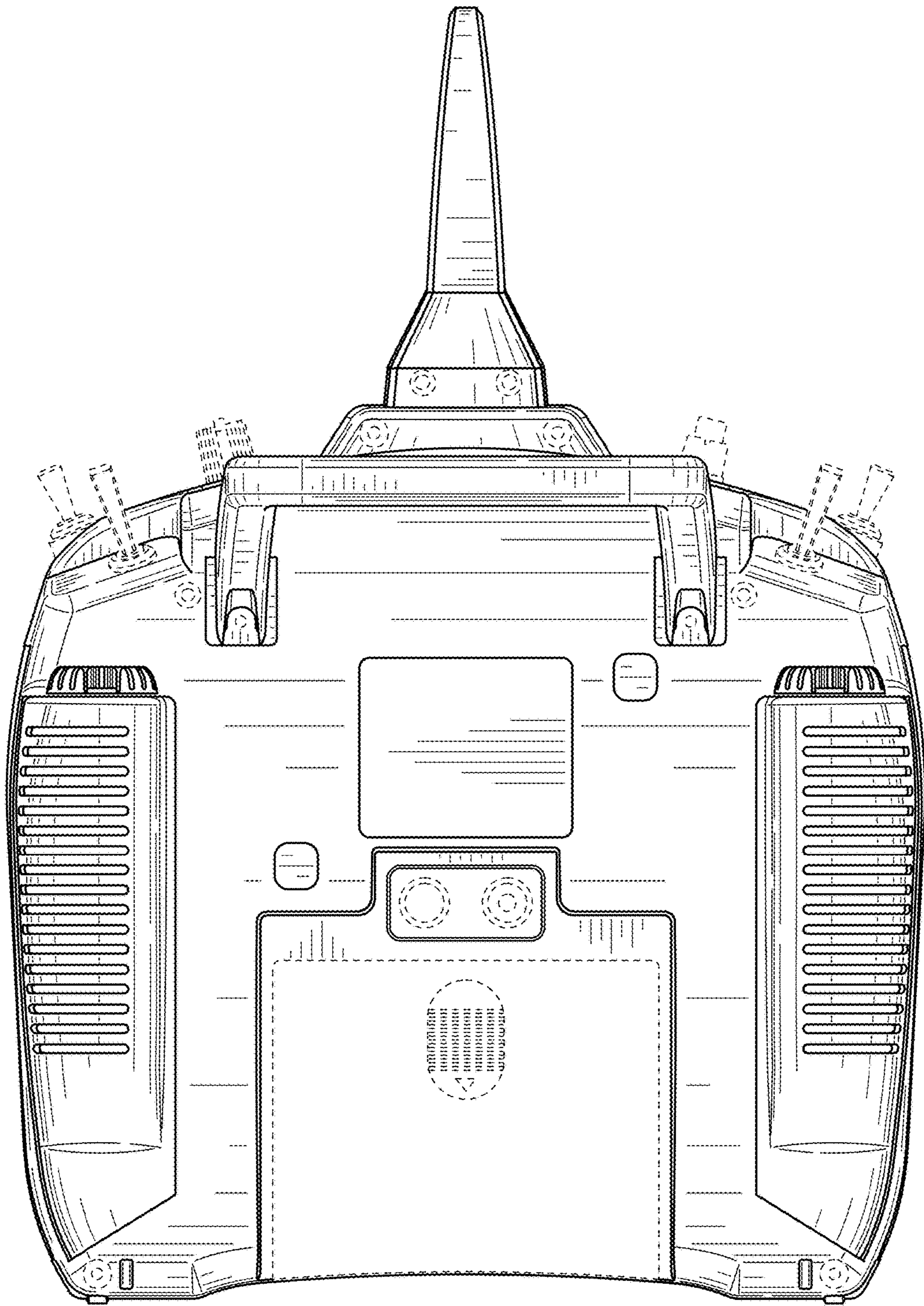


FIG. 3

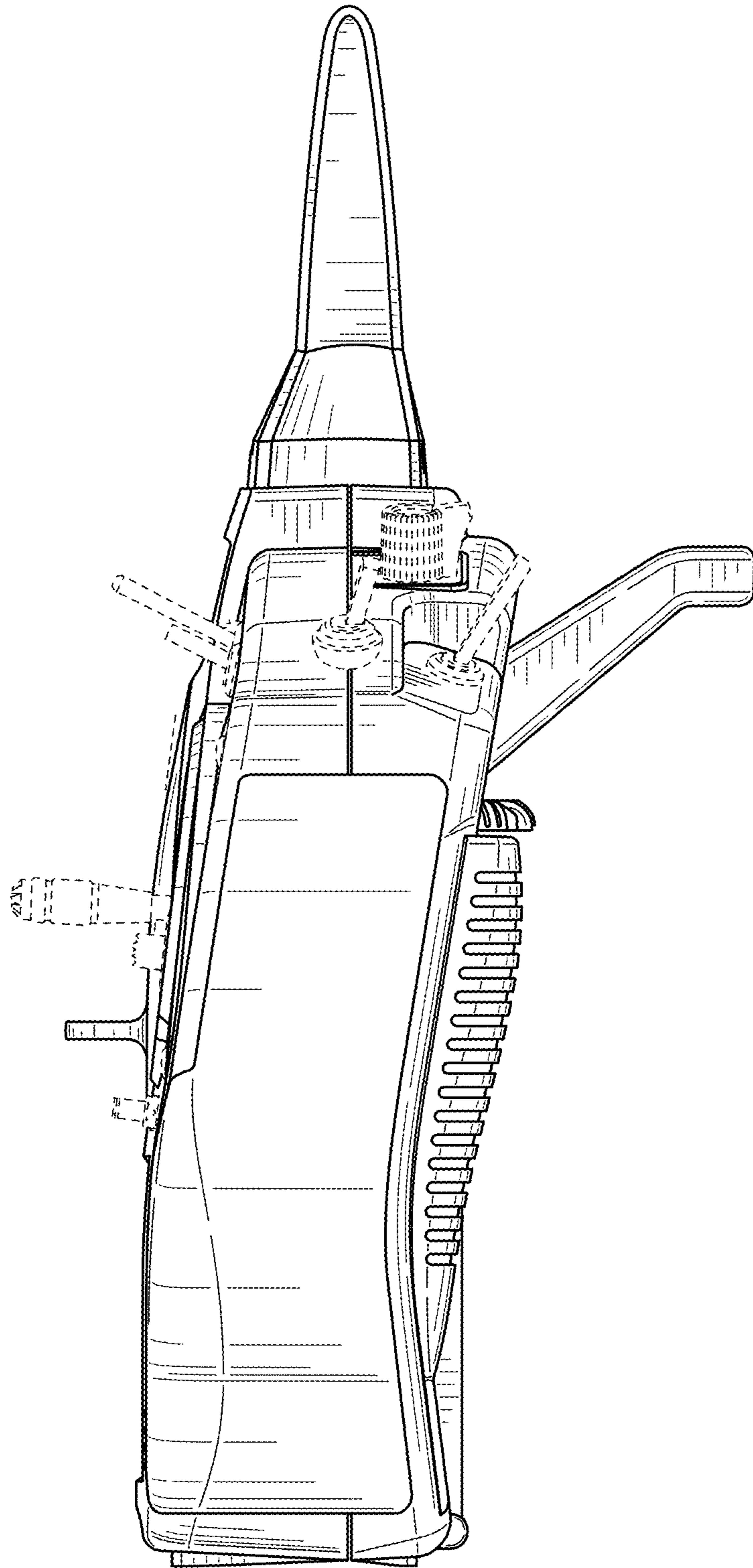


FIG. 4

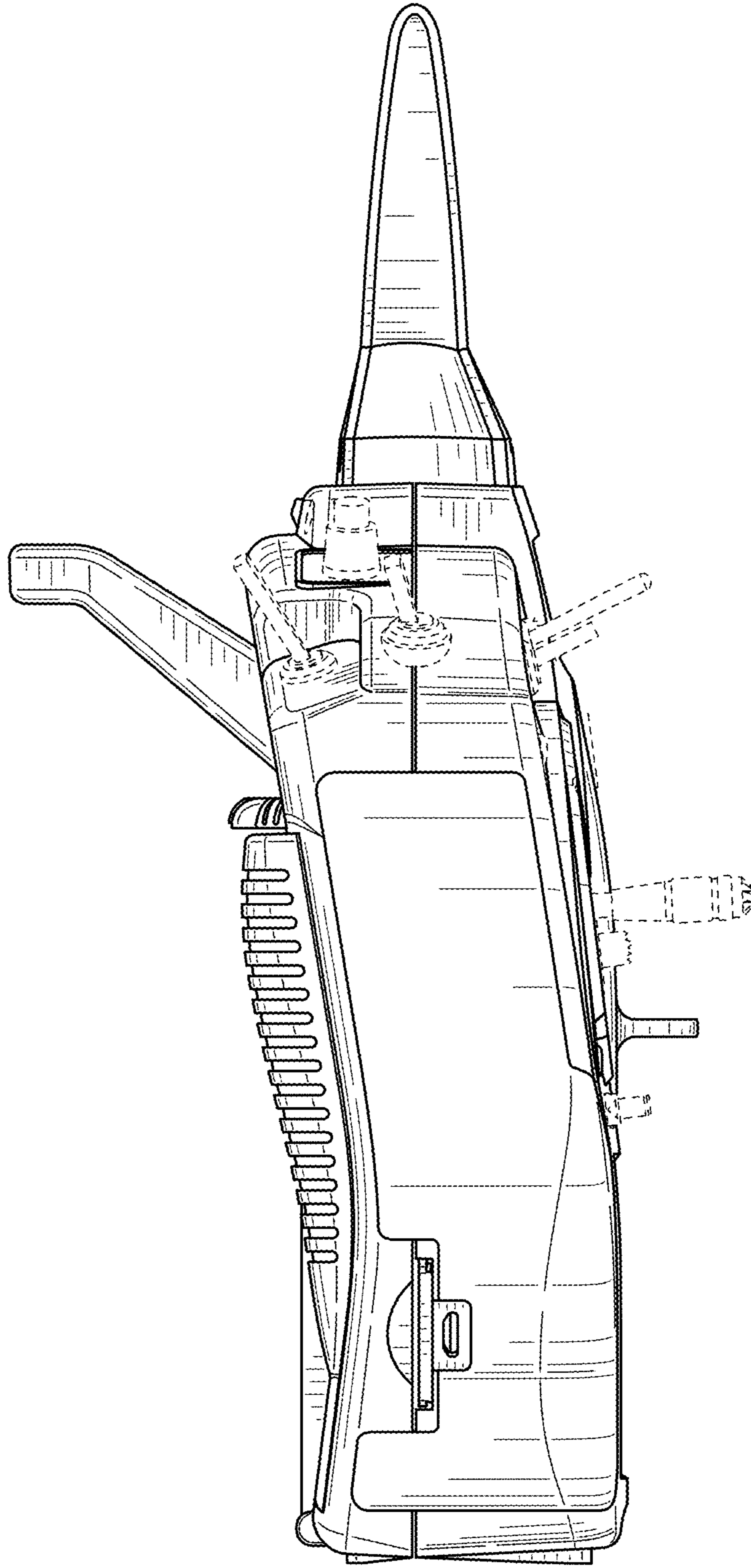


FIG. 5

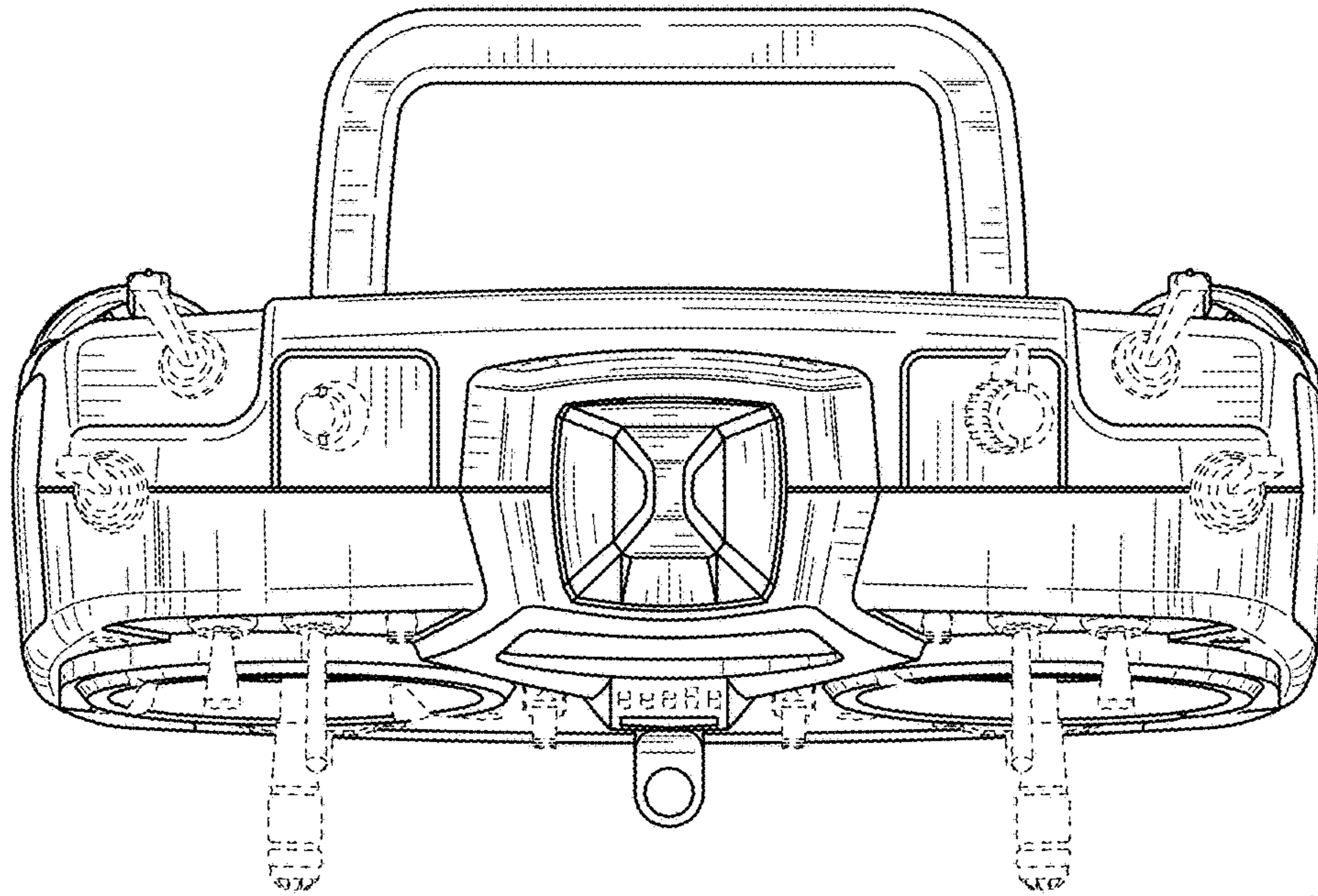


FIG. 6

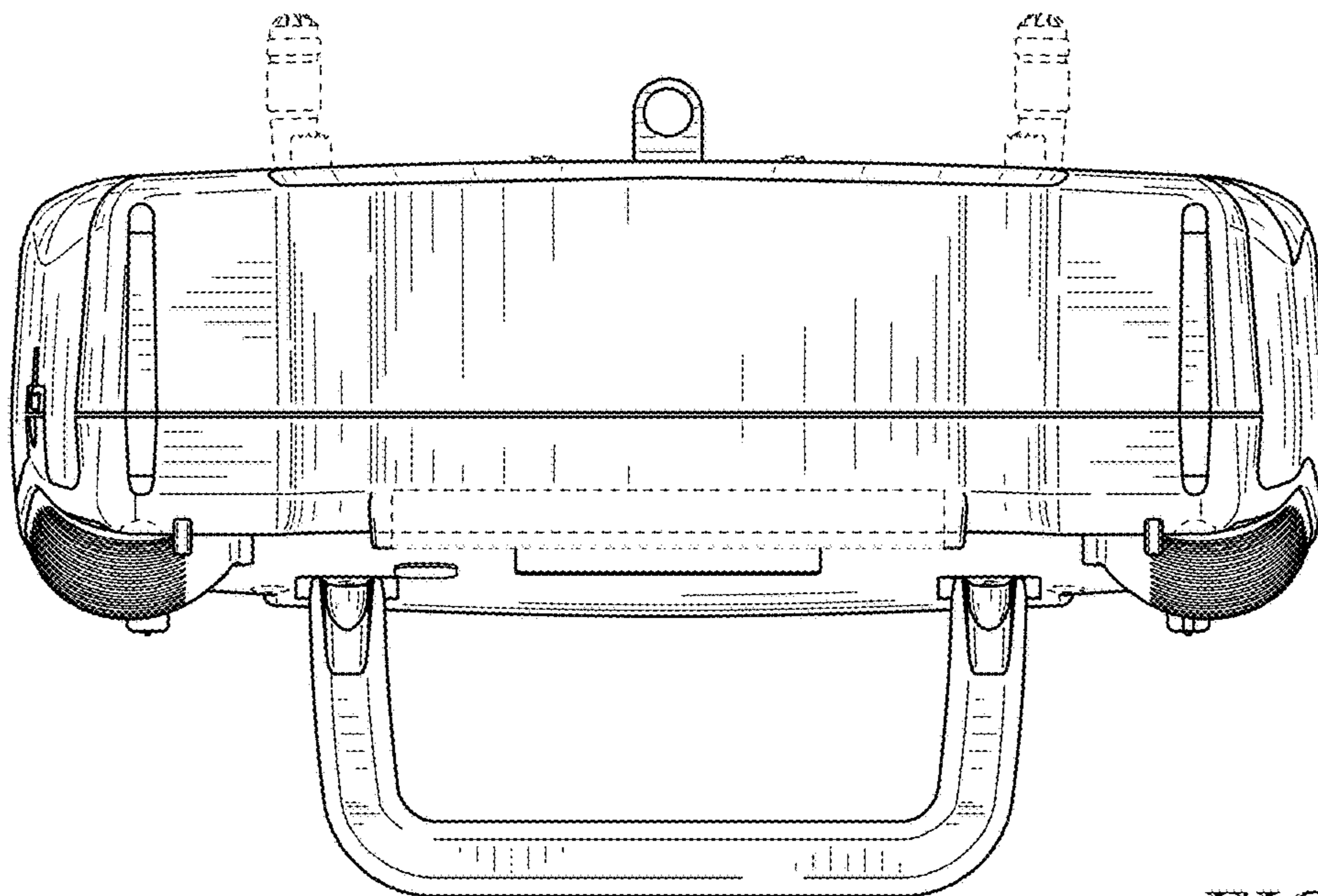


FIG. 7

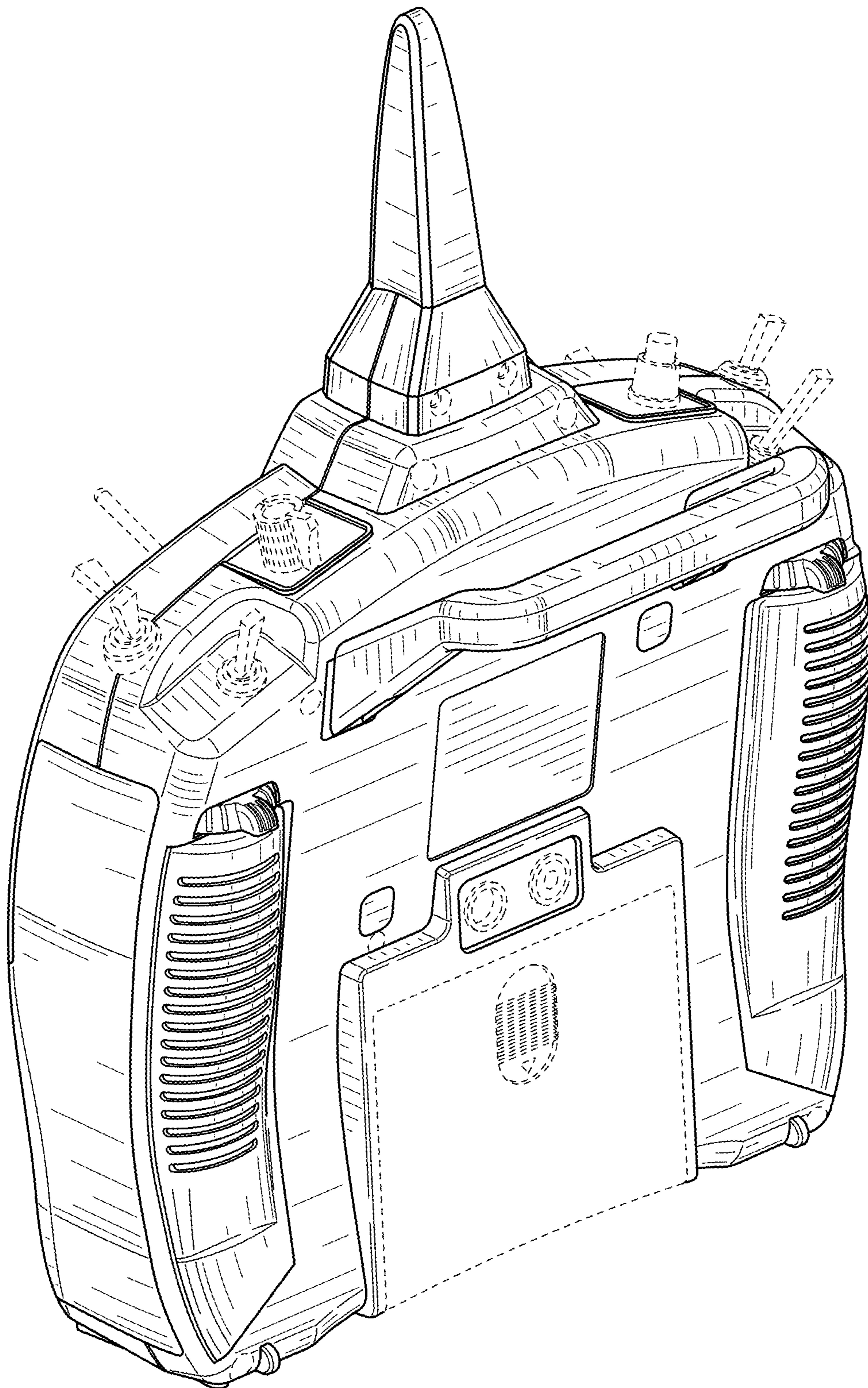


FIG. 8