



US00D829832S

(12) **United States Design Patent**  
**Snyder et al.**

(10) **Patent No.:** **US D829,832 S**  
(45) **Date of Patent:** **\*\* Oct. 2, 2018**

- (54) **TRANSMITTER**
- (71) Applicant: **HORIZON HOBBY, LLC**,  
Champaign, IL (US)
- (72) Inventors: **Danny Snyder**, Champaign, IL (US);  
**Mirco Pecorari**, Modena (IT)
- (73) Assignee: **Horizon Hobby, LLC**, Champaign, IL  
(US)
- (\*\*) Term: **15 Years**
- (21) Appl. No.: **29/572,391**
- (22) Filed: **Jul. 27, 2016**
- (51) **LOC (11) Cl.** ..... **21-01**
- (52) **U.S. Cl.**  
USPC ..... **D21/566**
- (58) **Field of Classification Search**  
USPC ..... D21/324, 328, 332, 333, 566  
CPC ..... G08C 17/02; G08C 2201/00; G08C  
2201/30; G08C 2201/32; A63H 30/00;  
A63H 30/02; A63H 30/04; G05G 9/04;  
G05G 9/047  
See application file for complete search history.

- D650,021 S \* 12/2011 Suzuki ..... D21/566
- D670,768 S \* 11/2012 Isono ..... D21/566
- D740,708 S \* 10/2015 Pecorari ..... D21/566
- D774,933 S \* 12/2016 Pecorari ..... D10/104.1
- D780,269 S \* 2/2017 Isono ..... D21/566
- 2018/0067514 A1\* 3/2018 Snyder ..... G05G 9/047

\* cited by examiner

*Primary Examiner* — George D Kirschbaum

*Assistant Examiner* — Joseph J Kukella

(74) *Attorney, Agent, or Firm* — Baker Botts L.L.P.

(57) **CLAIM**

The ornamental design for a transmitter, as shown and described.

**DESCRIPTION**

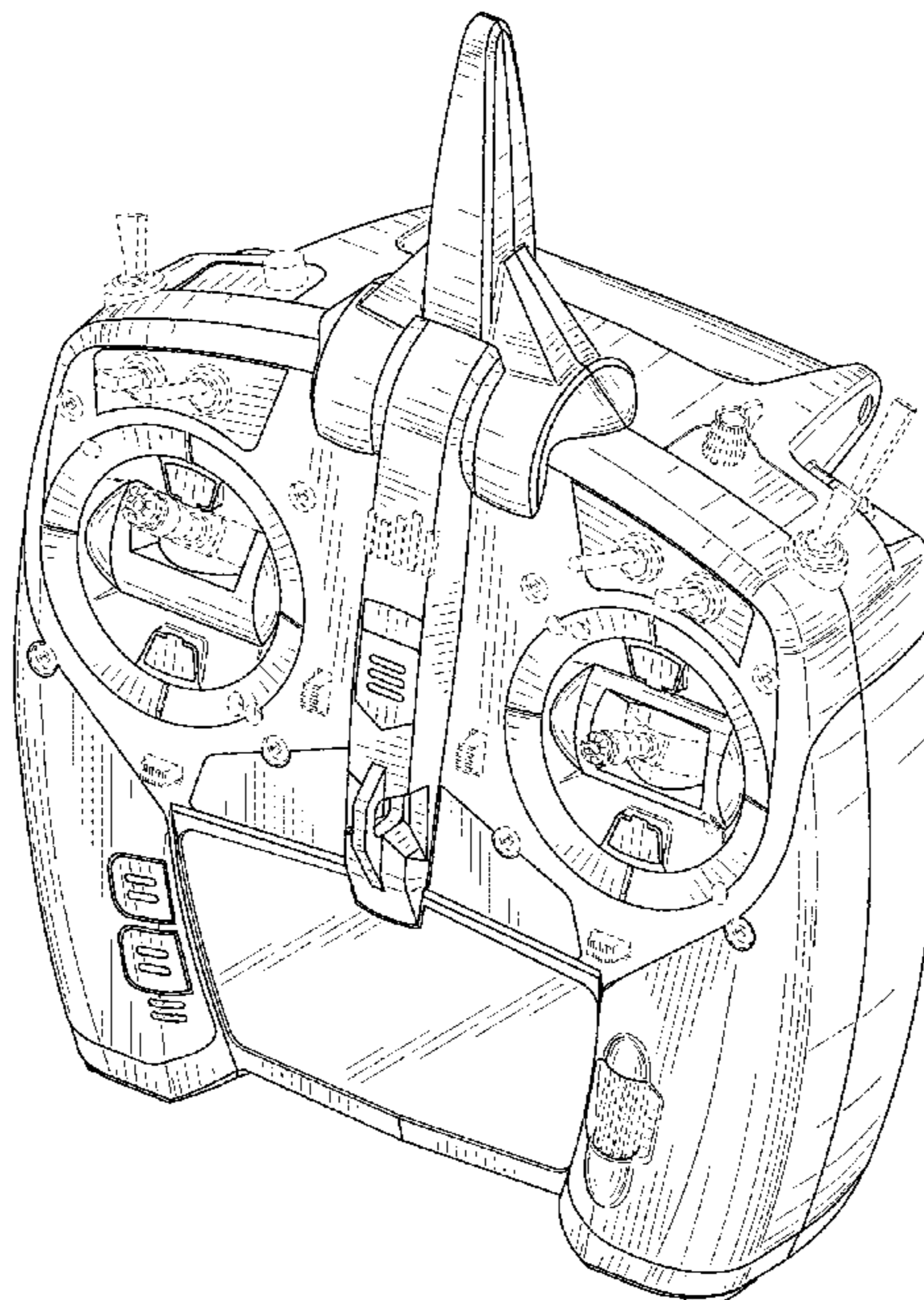
FIG. 1 is a top perspective view of the new design for a transmitter;  
 FIG. 2 is a front view thereof;  
 FIG. 3 is a rear view thereof;  
 FIG. 4 is a right side view thereof;  
 FIG. 5 is a left side view thereof;  
 FIG. 6 is a top view thereof;  
 FIG. 7 is a bottom view thereof;  
 FIG. 8 is a bottom perspective view thereof;  
 FIG. 9 is a top perspective view thereof with a lever in a first position; and,  
 FIG. 10 is a top perspective view thereof with the lever in a second position.  
 The broken lines illustrate portions of the transmitter that form no part of the claimed design.

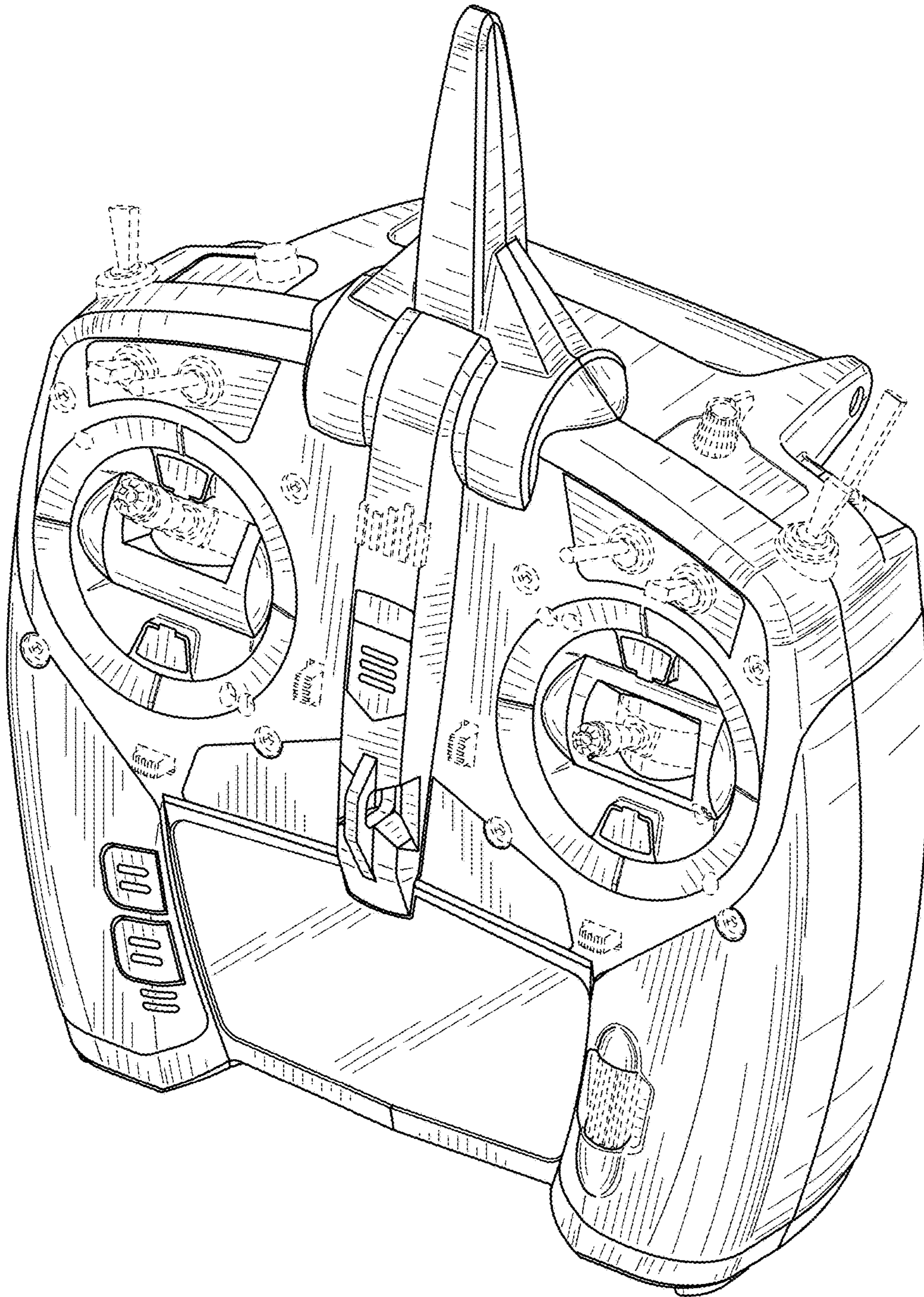
**1 Claim, 8 Drawing Sheets**

(56) **References Cited**

**U.S. PATENT DOCUMENTS**

- D514,172 S \* 1/2006 Jinno ..... G05G 9/047  
D21/566
- D517,129 S \* 3/2006 Yamamoto ..... D21/566
- D521,573 S \* 5/2006 Jinno ..... D21/566
- D546,905 S \* 7/2007 Arai ..... D21/566
- D573,204 S \* 7/2008 Arai ..... D21/566
- D594,071 S \* 6/2009 Jinno ..... D21/566
- D636,825 S \* 4/2011 Tanaka ..... D21/566





*FIG. 1*

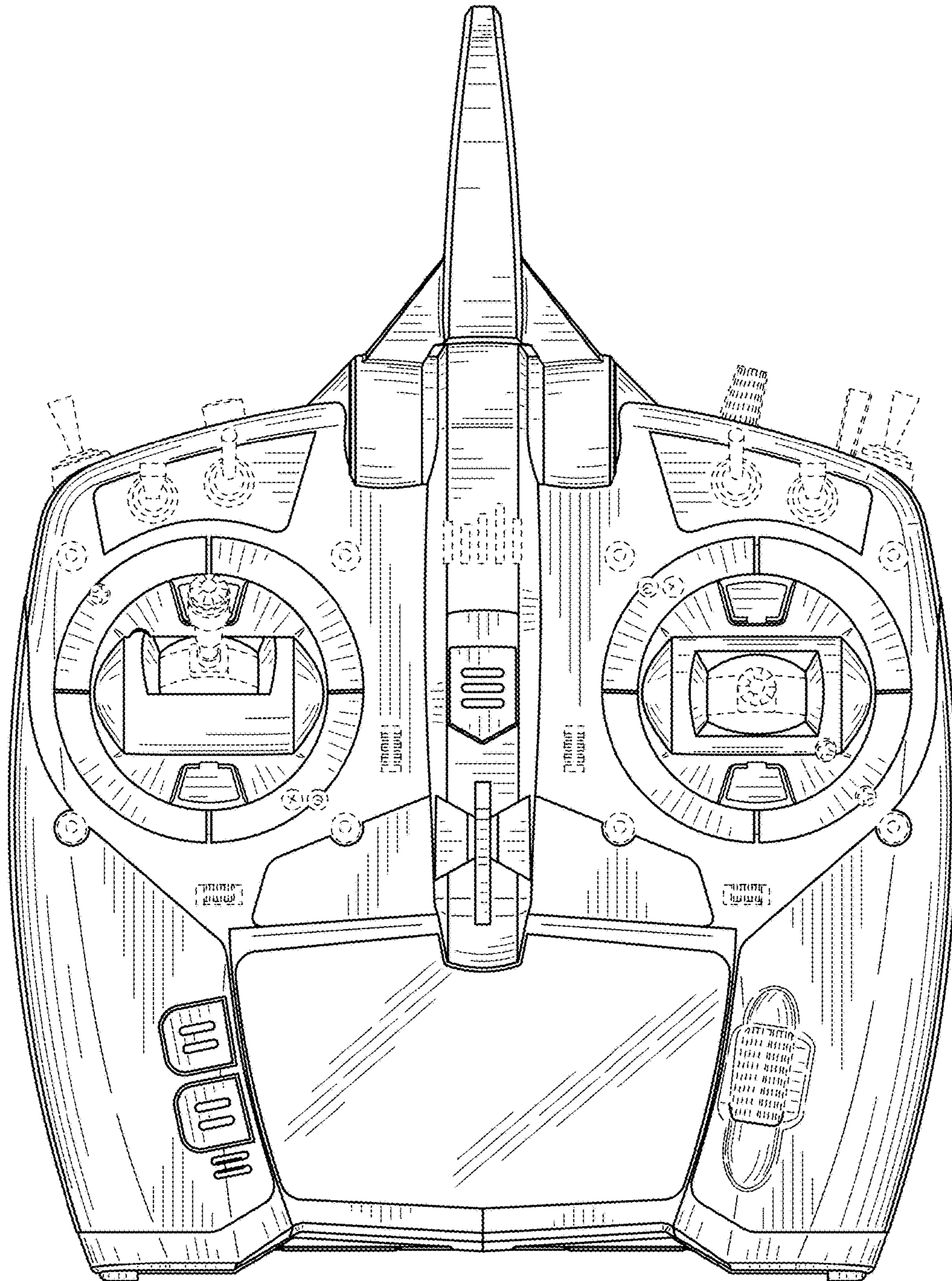
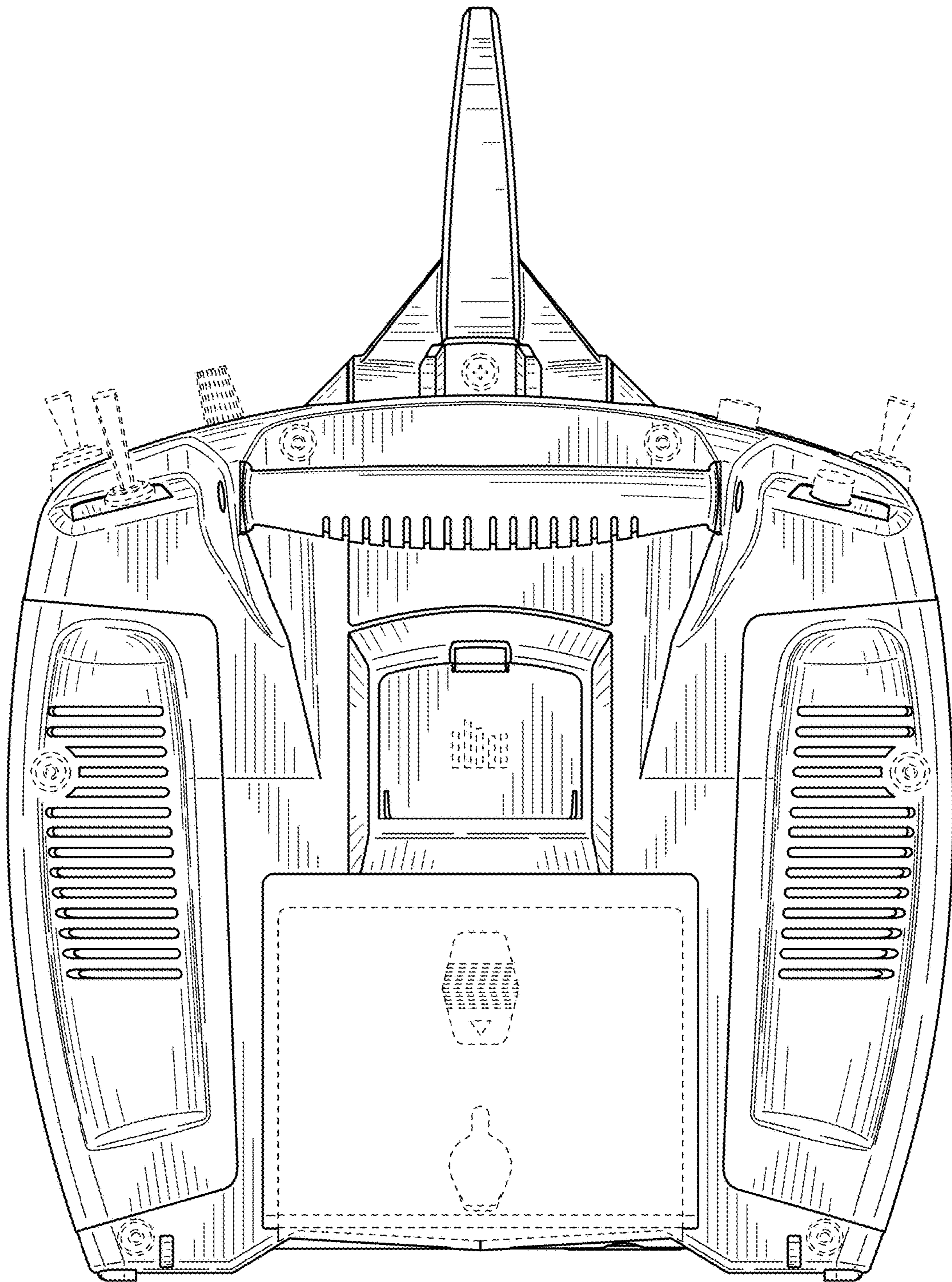


FIG. 2



*FIG. 3*

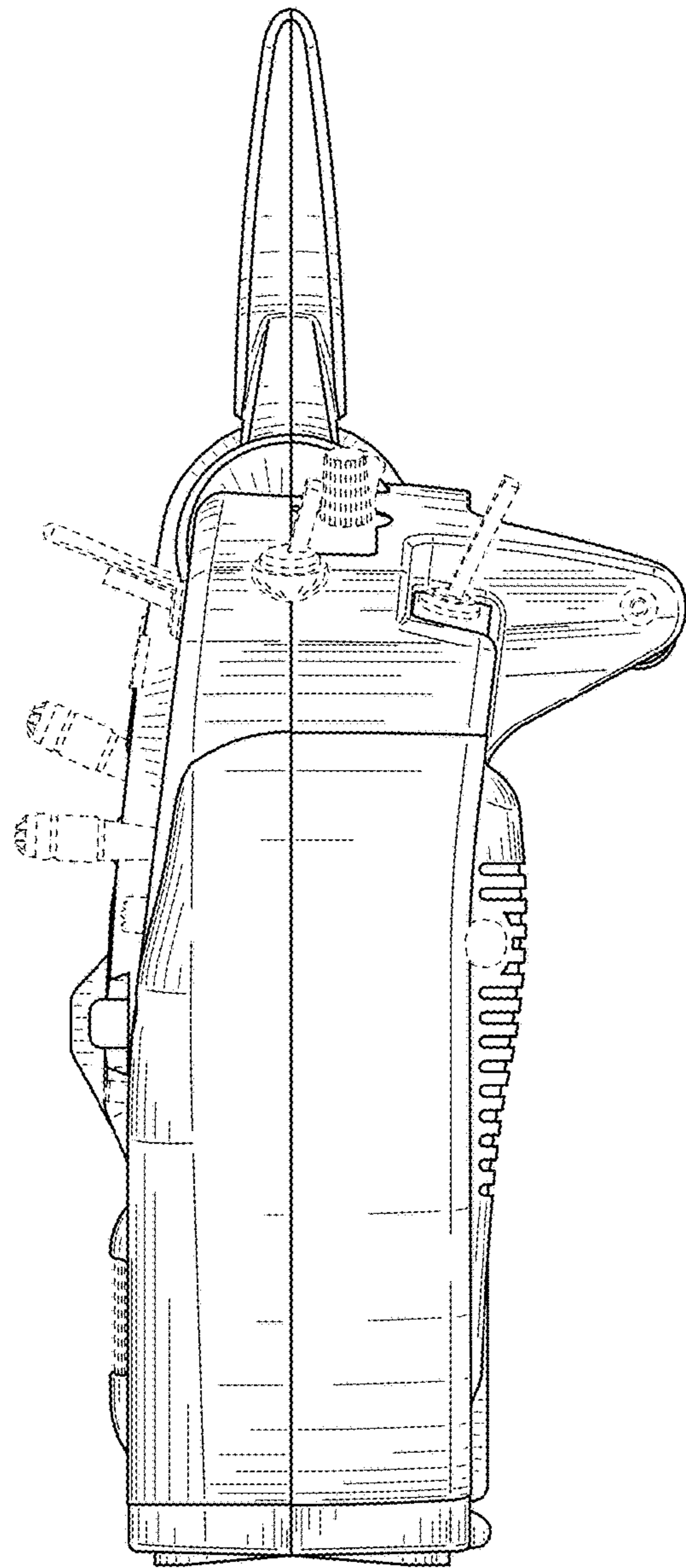


FIG. 4

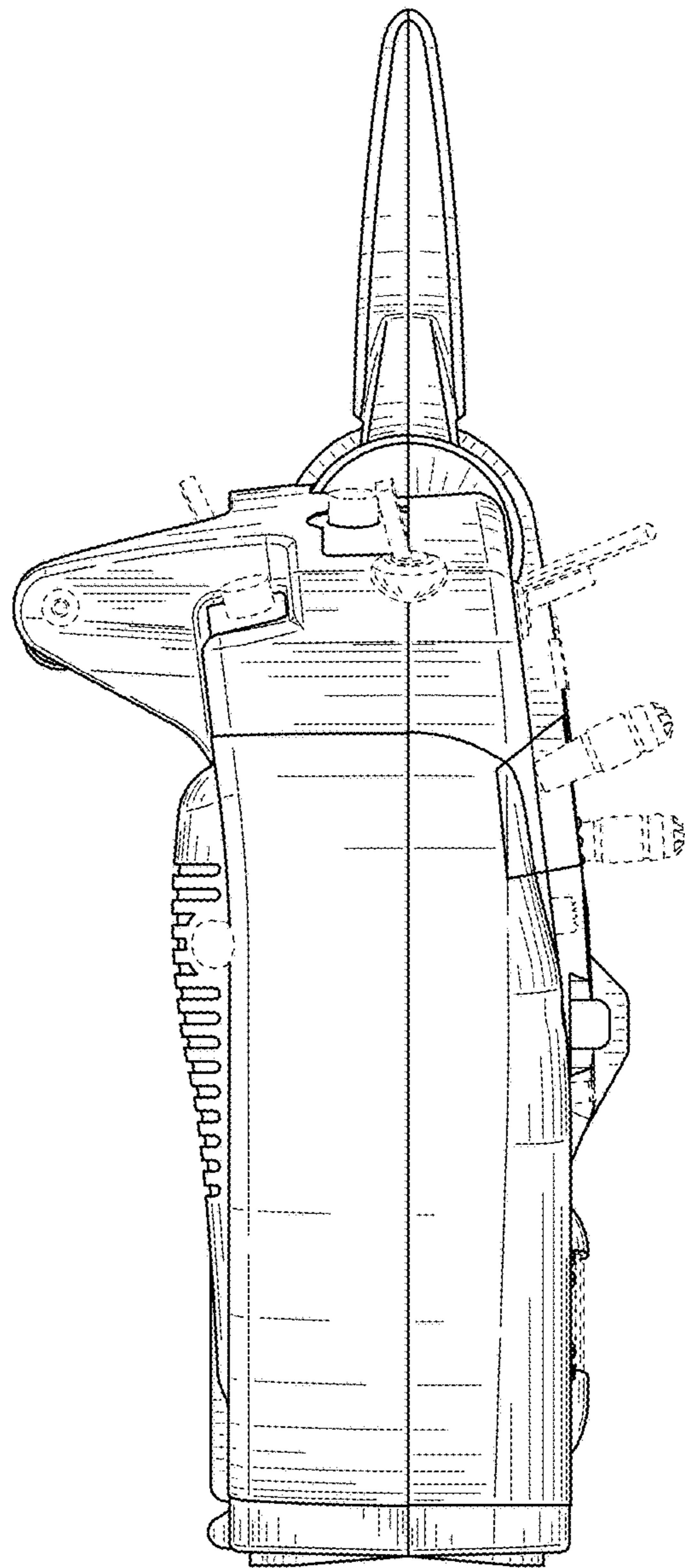
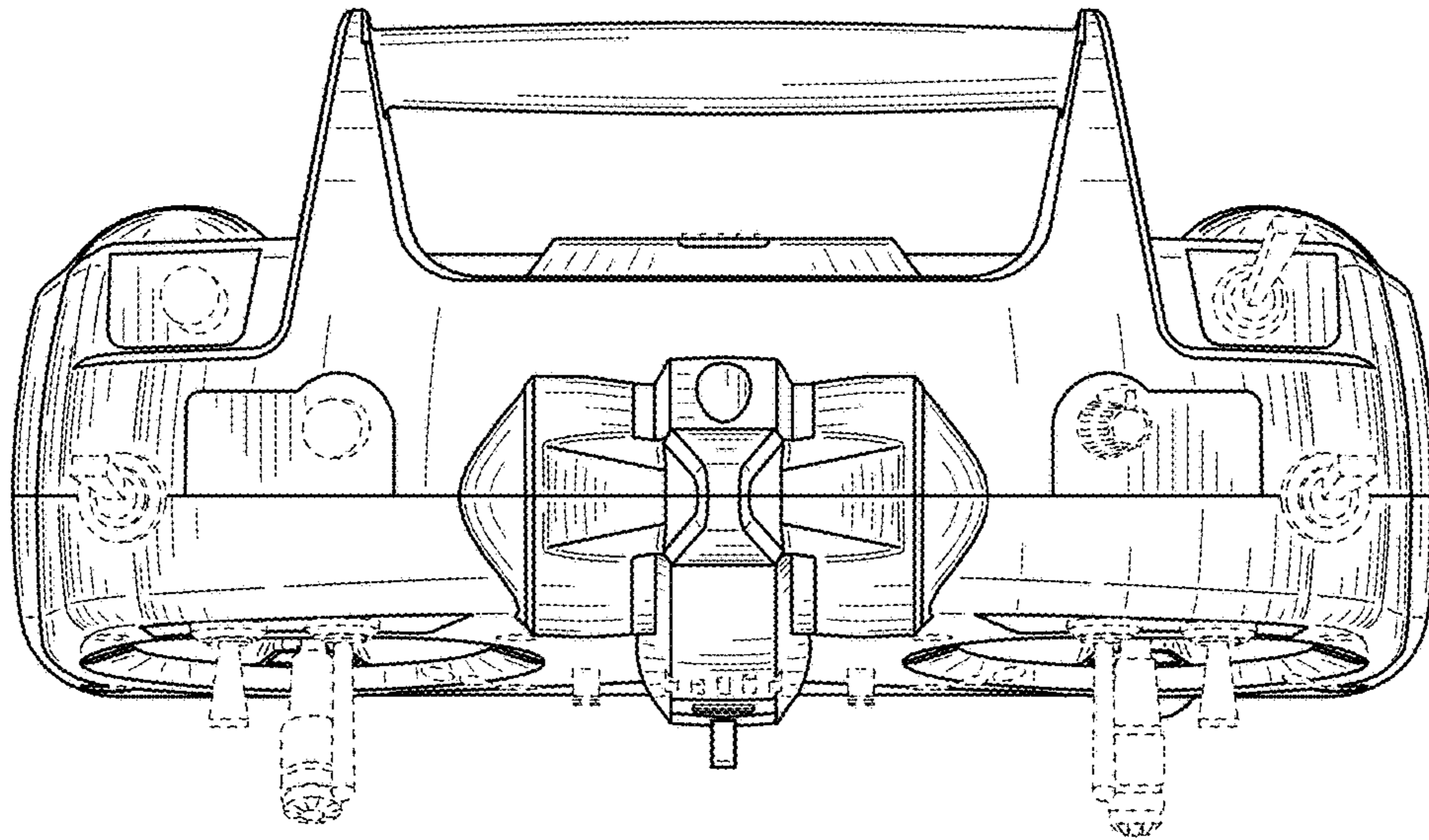
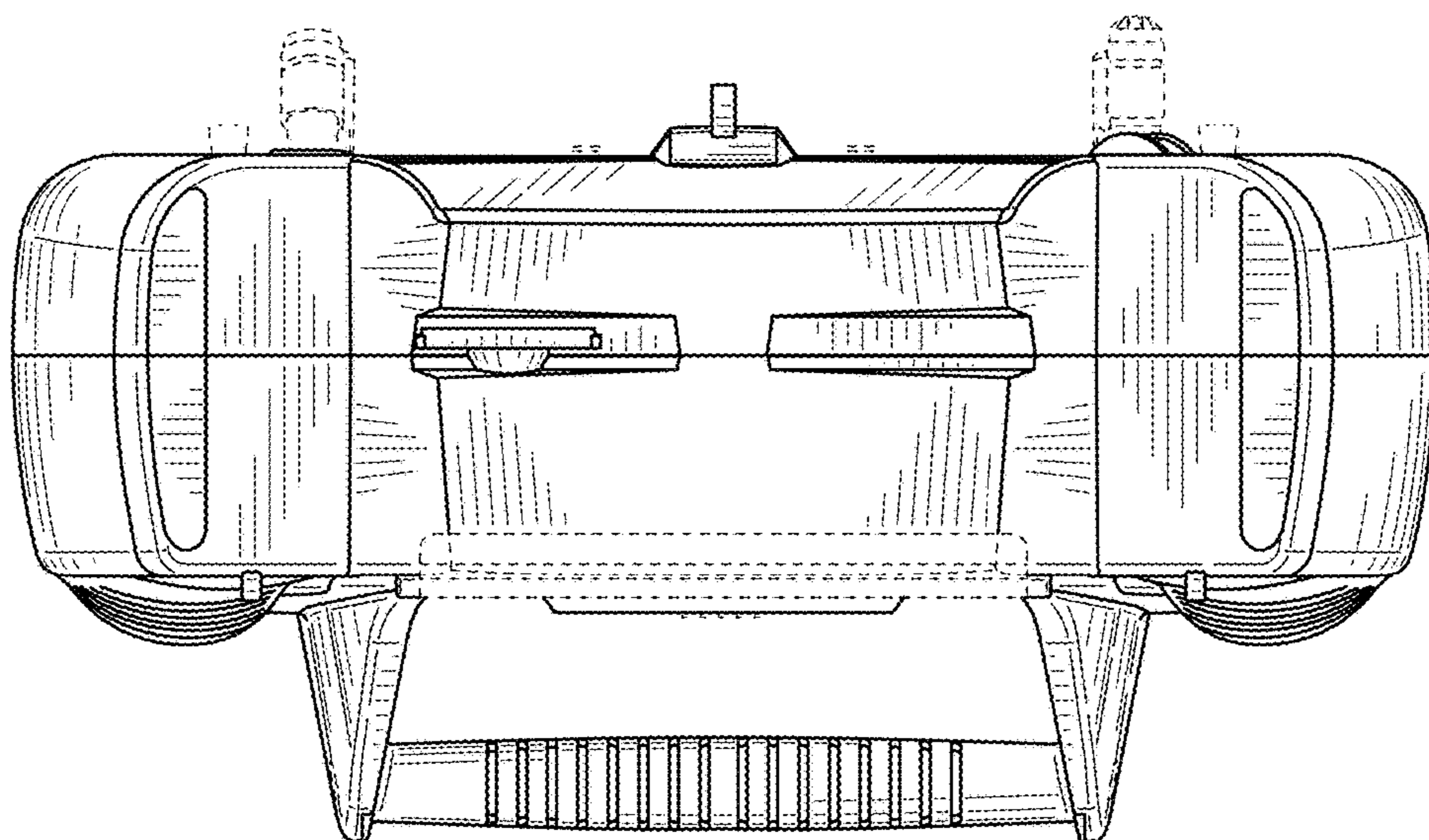


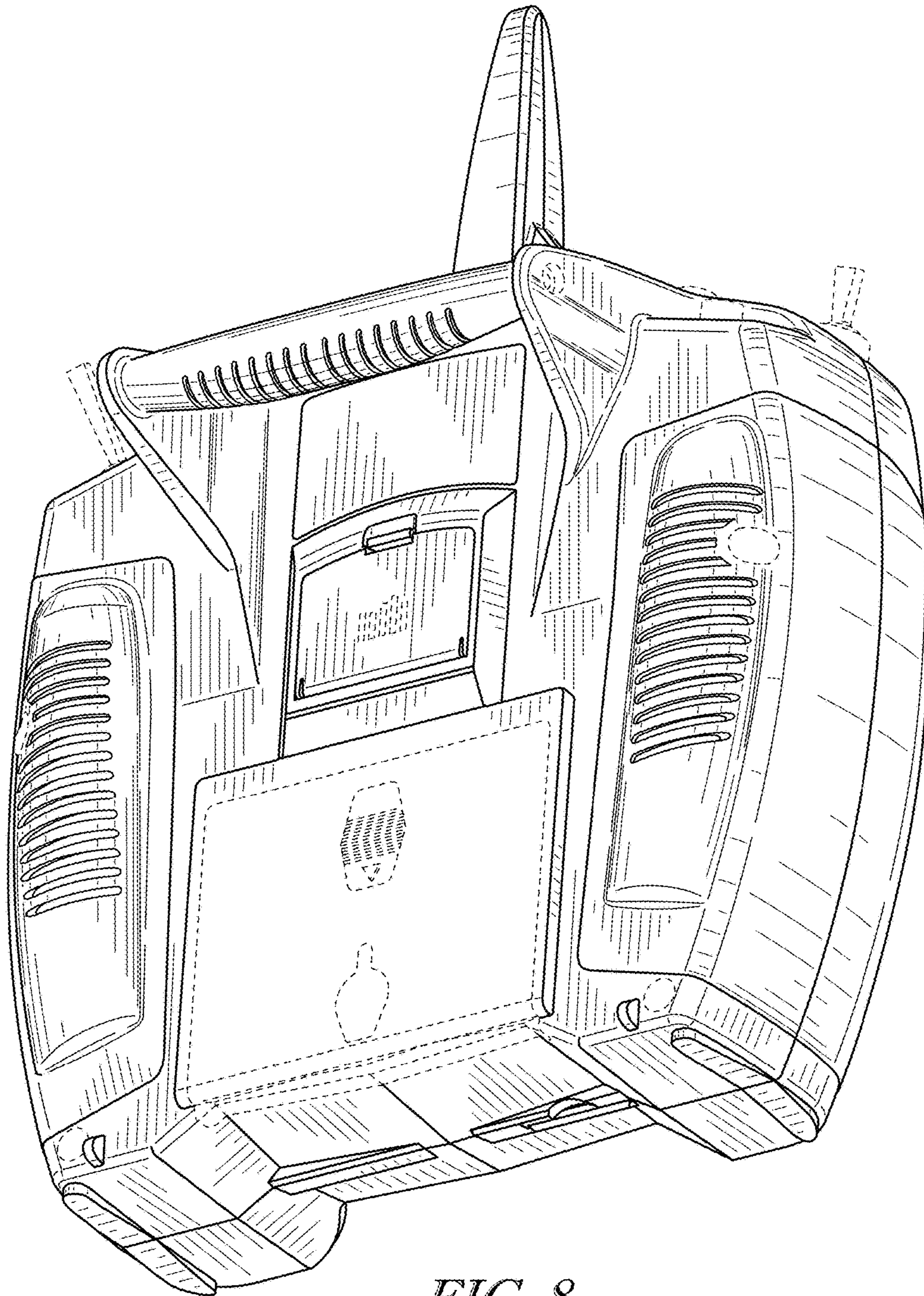
FIG. 5



*FIG. 6*



*FIG. 7*



*FIG. 8*

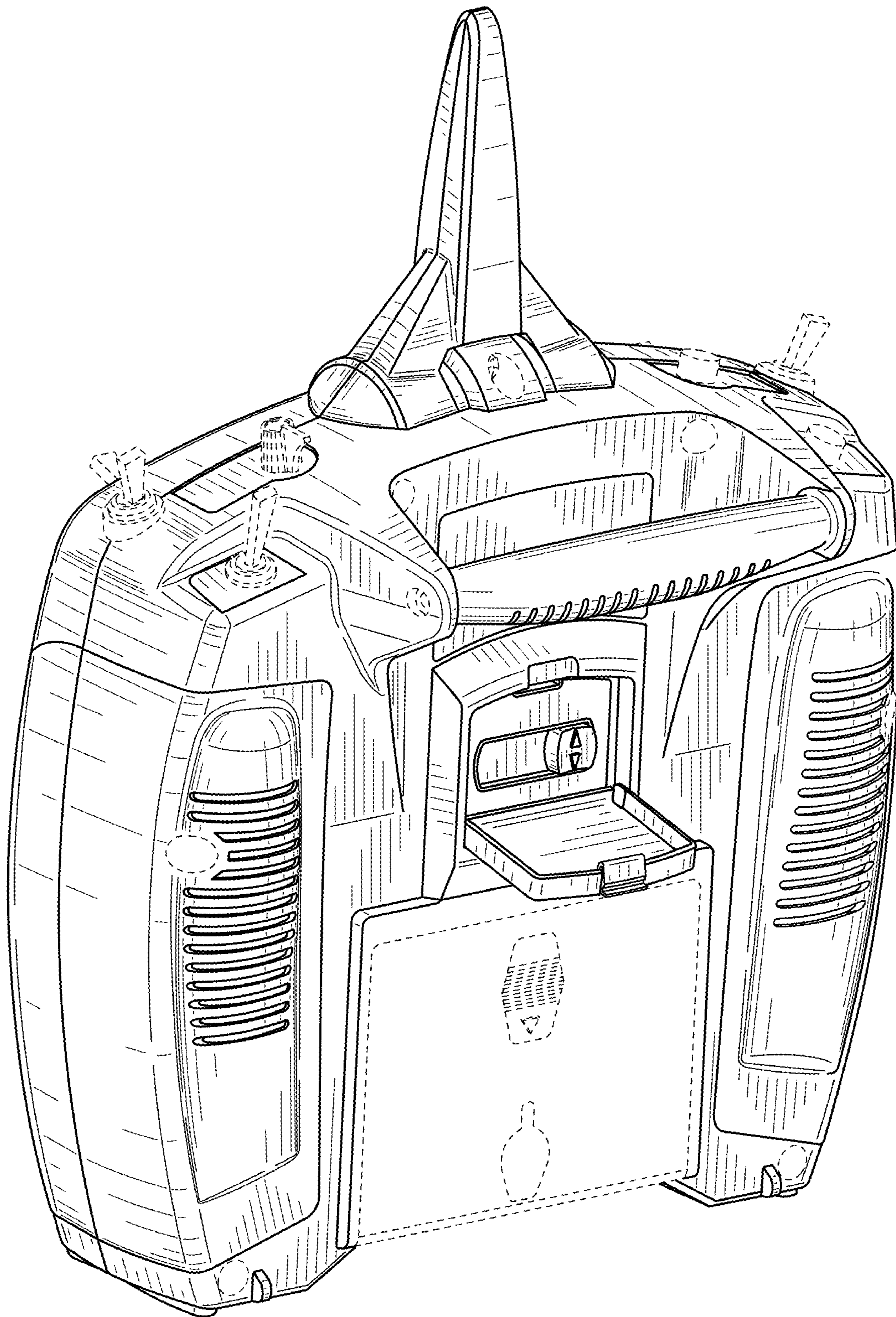
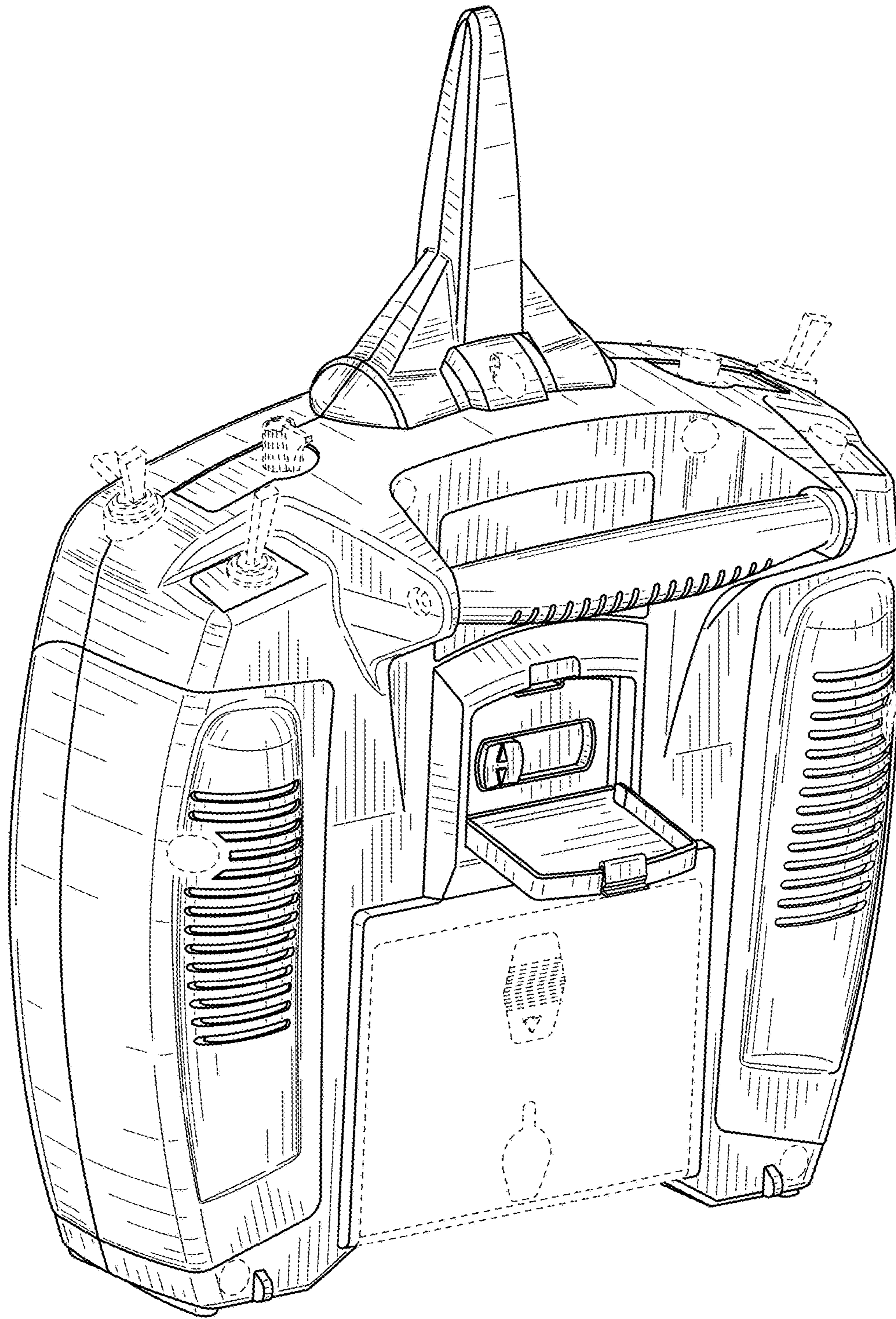


FIG. 9





*FIG. 10*