



US00D829831S

(12) **United States Design Patent** (10) **Patent No.:** **US D829,831 S**  
**Redlin et al.** (45) **Date of Patent:** **\*\* Oct. 2, 2018**

(54) **R/C VEHICLE CHASSIS**

(71) Applicant: **HORIZON HOBBY, LLC,**  
Champaign, IL (US)

(72) Inventors: **Brent Redlin,** Thornton, CO (US);  
**Richard Trujillo,** Fontana, CA (US);  
**Jukka Steenari,** Aliso Viejo, CA (US)

(73) Assignee: **Horizon Hobby, LLC,** Champaign, IL  
(US)

(\*\*) Term: **15 Years**

(21) Appl. No.: **29/556,874**

(22) Filed: **Mar. 3, 2016**

(51) **LOC (11) Cl.** ..... **21-01**

(52) **U.S. Cl.**

USPC ..... **D21/562**

(58) **Field of Classification Search**

USPC ..... D21/398, 533, 548, 549, 550, 551, 552,  
D21/557, 560, 561, 562, 580, 581;  
446/154, 164, 231, 233, 236-242, 265,  
446/266, 273, 437, 462, 465, 470;  
D12/82, 86, 90-92

CPC .... A63H 17/004; A63H 17/26; A63H 17/262;  
A63H 17/264; A63H 17/266; A63H  
17/36; A63H 17/38; A63H 29/00; A63H  
29/16; A63H 29/165; A63H 29/22; A63H  
29/24; A63H 30/04

See application file for complete search history.

(56) **References Cited**

**U.S. PATENT DOCUMENTS**

D317,336 S \* 6/1991 Tsuchiya ..... D21/550  
D332,978 S \* 2/1993 Tsuchiya ..... D21/562  
D348,911 S \* 7/1994 Herrick ..... D21/424  
D503,658 S \* 4/2005 Lu ..... D12/87

D564,410 S \* 3/2008 Lepage ..... D12/87  
D586,695 S \* 2/2009 Burns ..... D12/87  
D586,696 S \* 2/2009 Burns ..... D12/87  
D593,616 S \* 6/2009 Asai ..... D21/562  
D639,207 S \* 6/2011 Danisi ..... D12/82  
D651,133 S \* 12/2011 Liebl ..... D12/86  
D690,372 S \* 9/2013 Fujiwara ..... D21/550  
D783,726 S \* 4/2017 Williams ..... D12/87

\* cited by examiner

*Primary Examiner* — Cynthia M. Chin

(74) *Attorney, Agent, or Firm* — Baker Botts L.L.P.

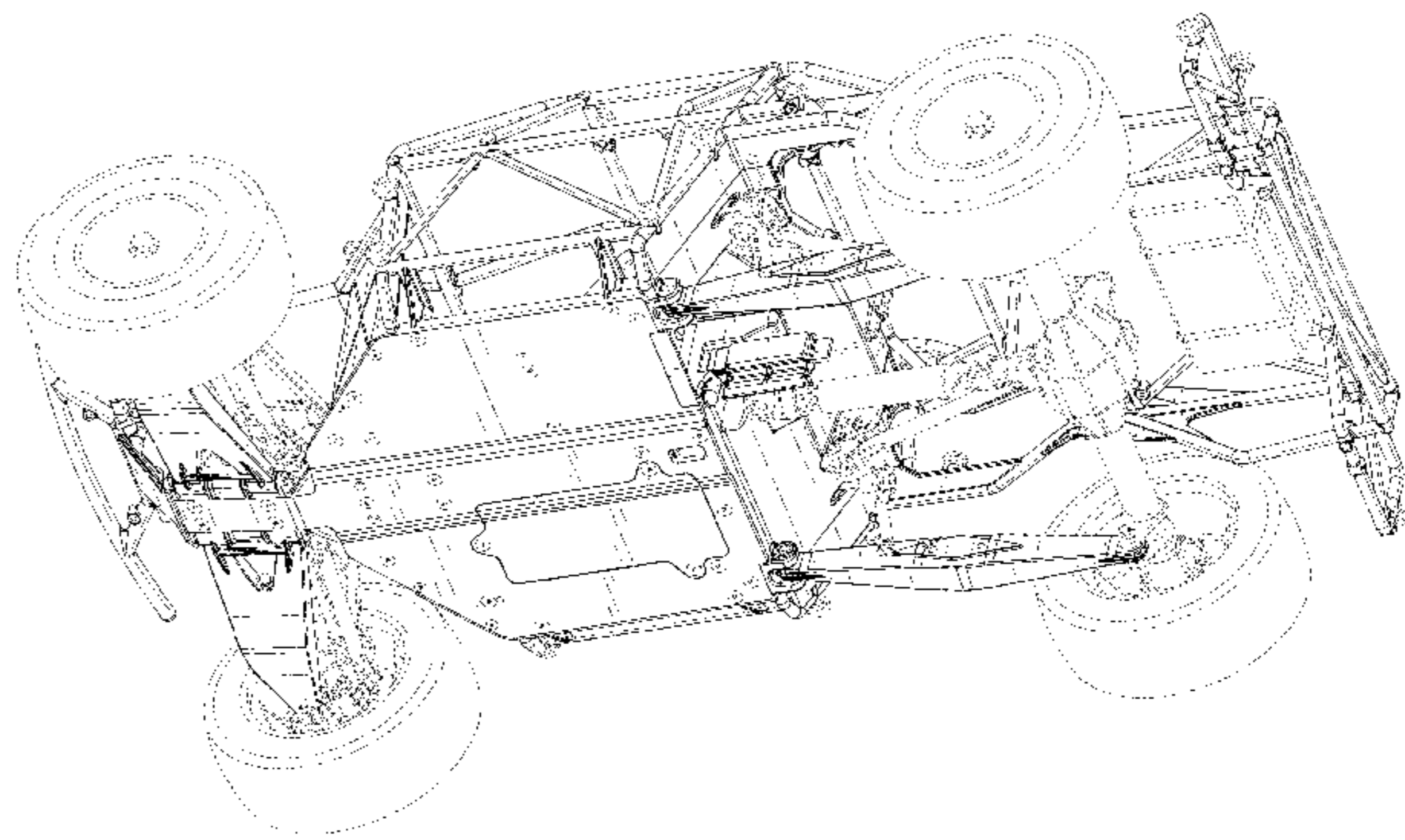
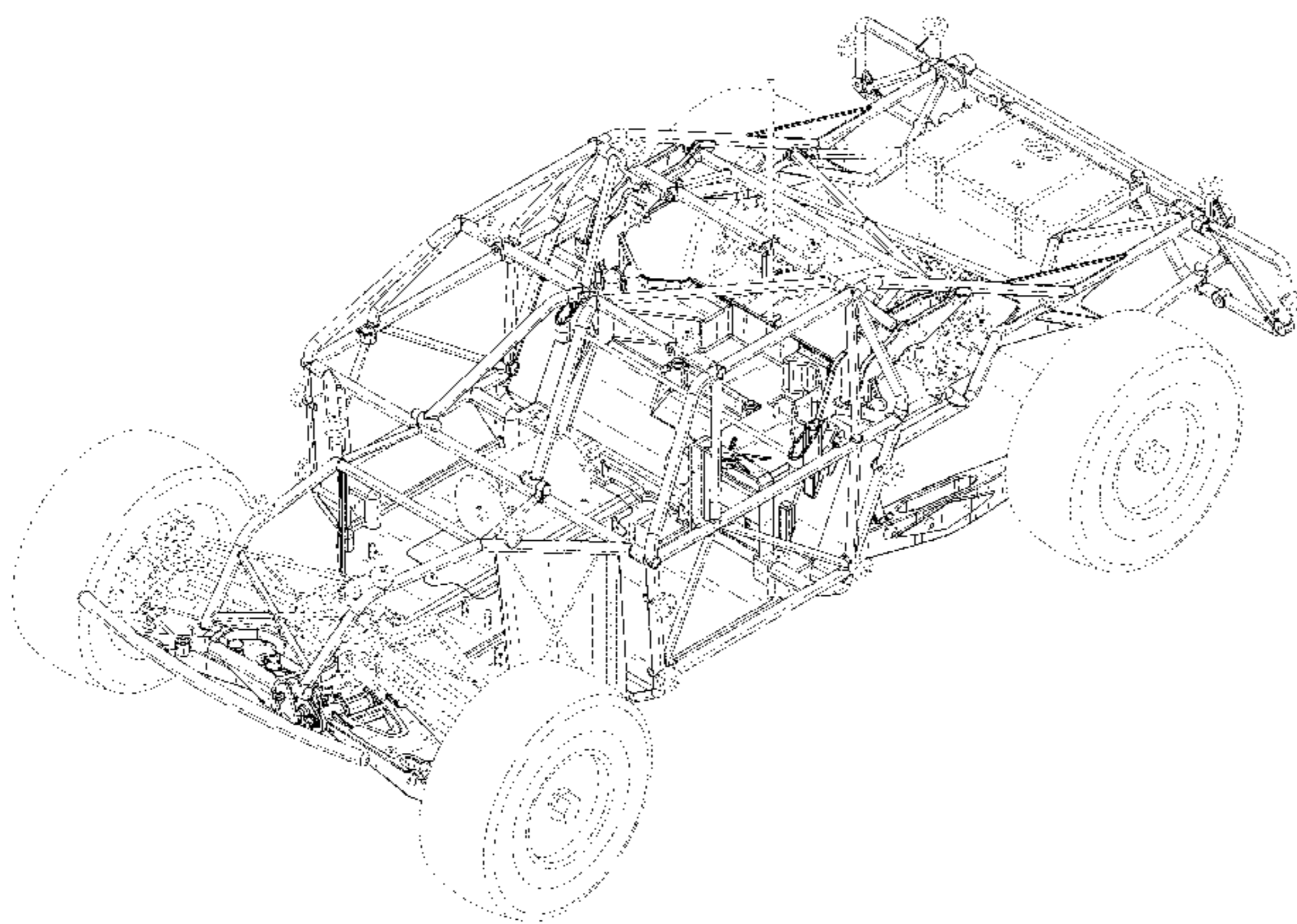
(57) **CLAIM**

The ornamental design for a R/C vehicle chassis, as shown and described.

**DESCRIPTION**

FIG. 1 is a top perspective view of a R/C vehicle chassis, according to my new design;  
FIG. 2 is a front view thereof;  
FIG. 3 is a rear view thereof;  
FIG. 4 is a right side view thereof;  
FIG. 5 is a left side view thereof;  
FIG. 6 is a top view thereof;  
FIG. 7 is a bottom view thereof;  
FIG. 8 is a bottom perspective view thereof;  
FIG. 9 is a bottom perspective view thereof, illustrating an exploded view of a motor replacement opening;  
FIG. 10 is a bottom perspective view thereof, illustrating an open battery cover;  
FIG. 11 is a bottom perspective view thereof, illustrating a closed battery cover; and,  
FIG. 12 is a bottom perspective view thereof, illustrating an open battery cover.  
The broken lines illustrate portions of the R/C vehicle chassis that form no part of the claimed design.

**1 Claim, 12 Drawing Sheets**



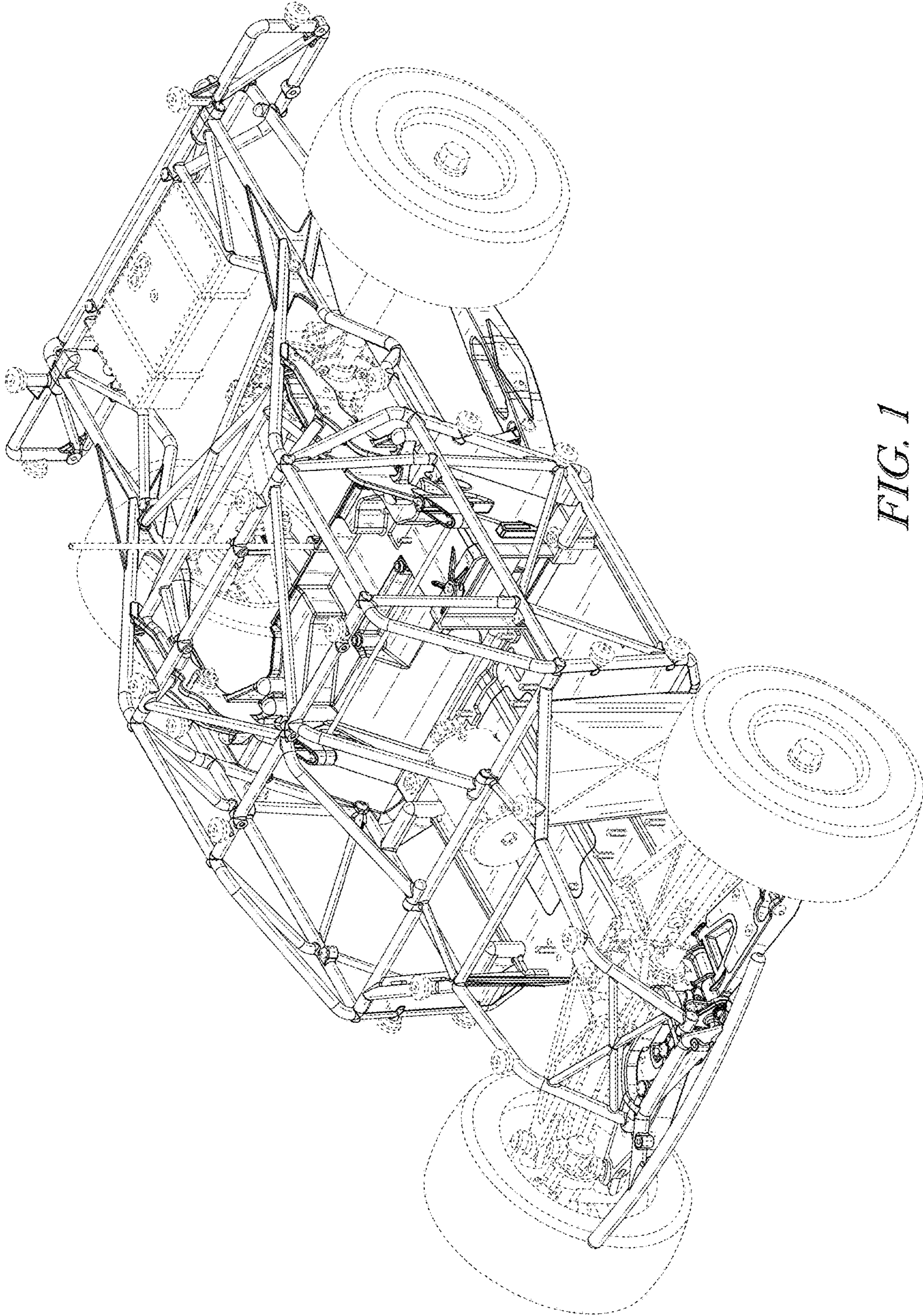
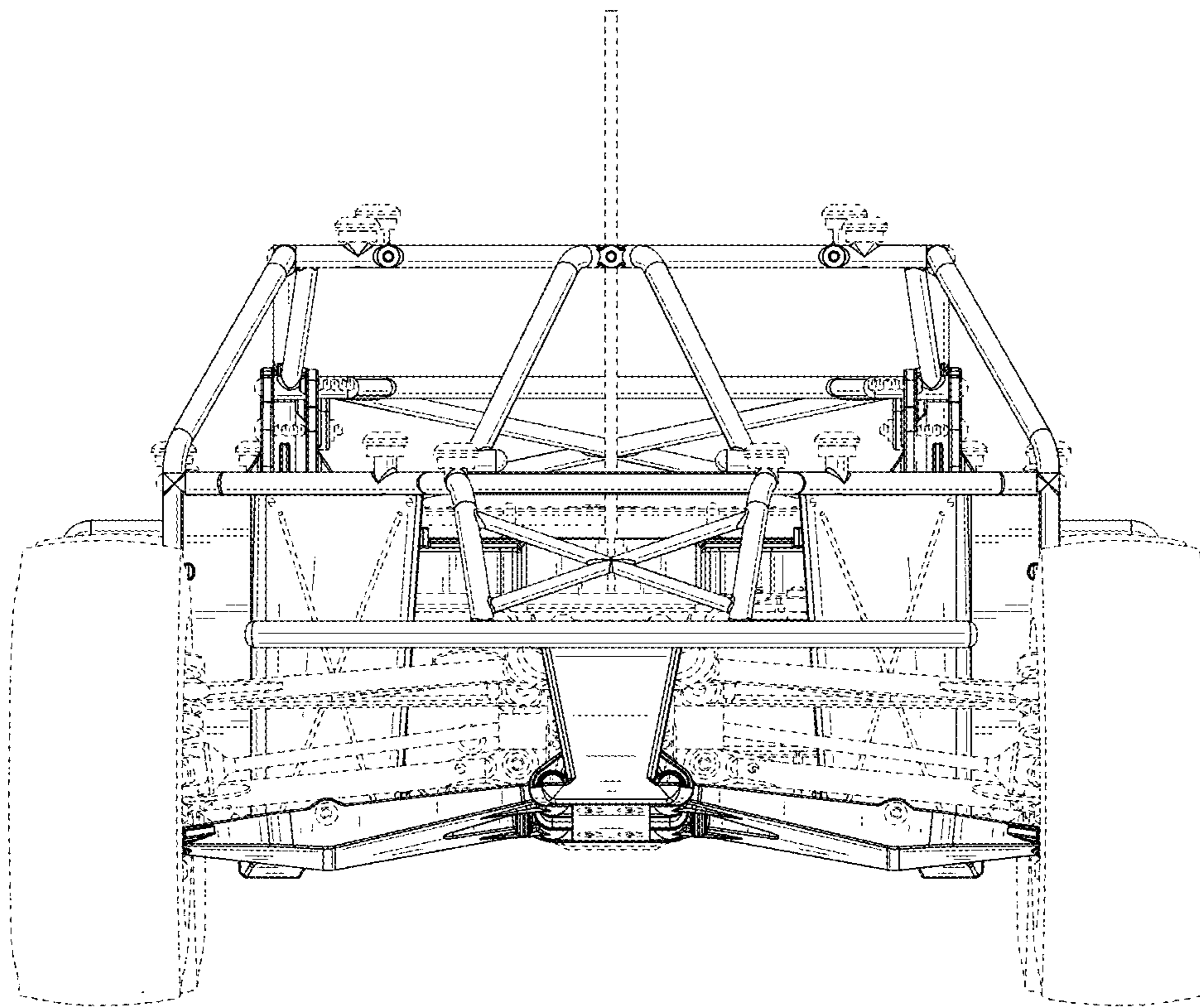
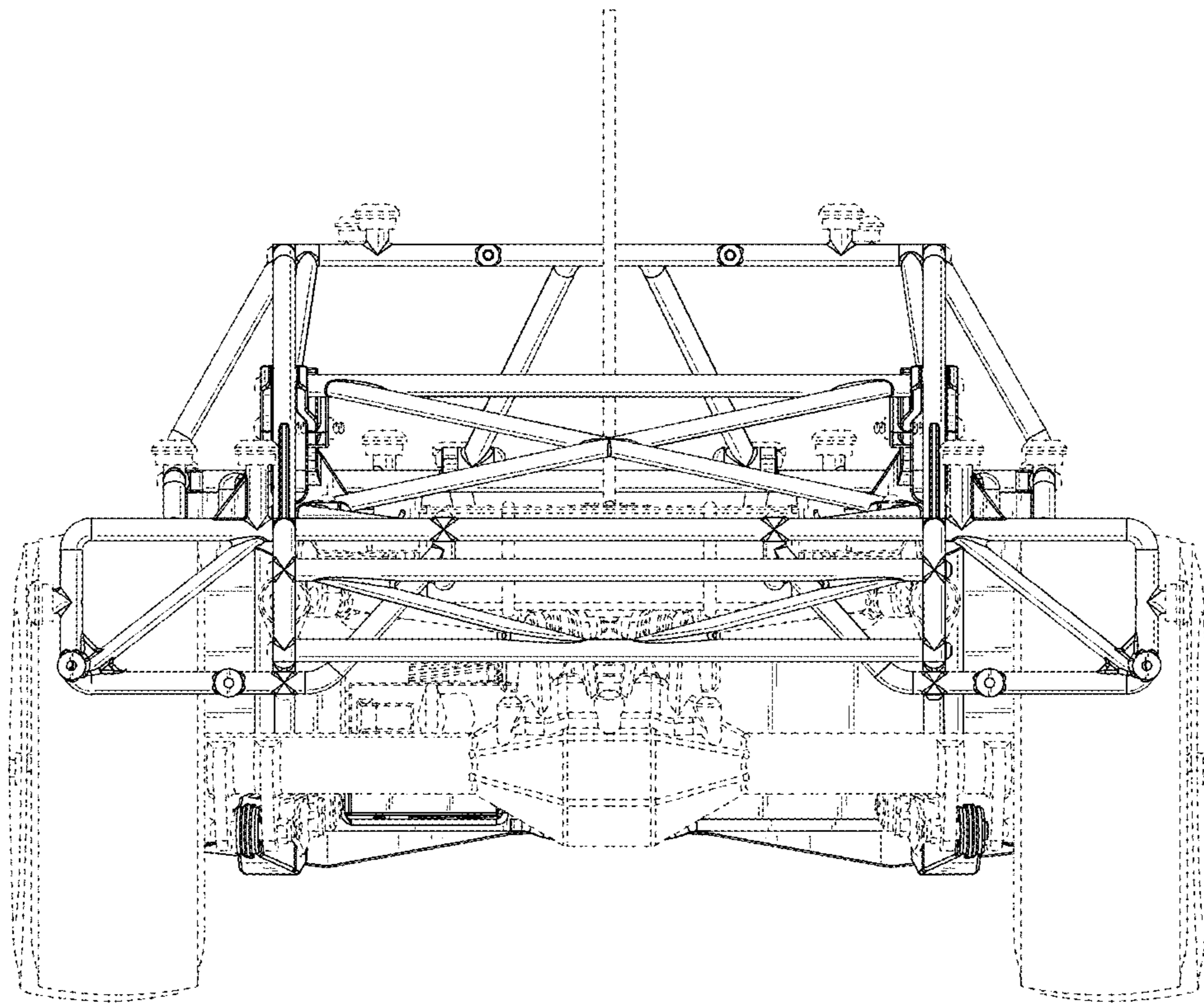


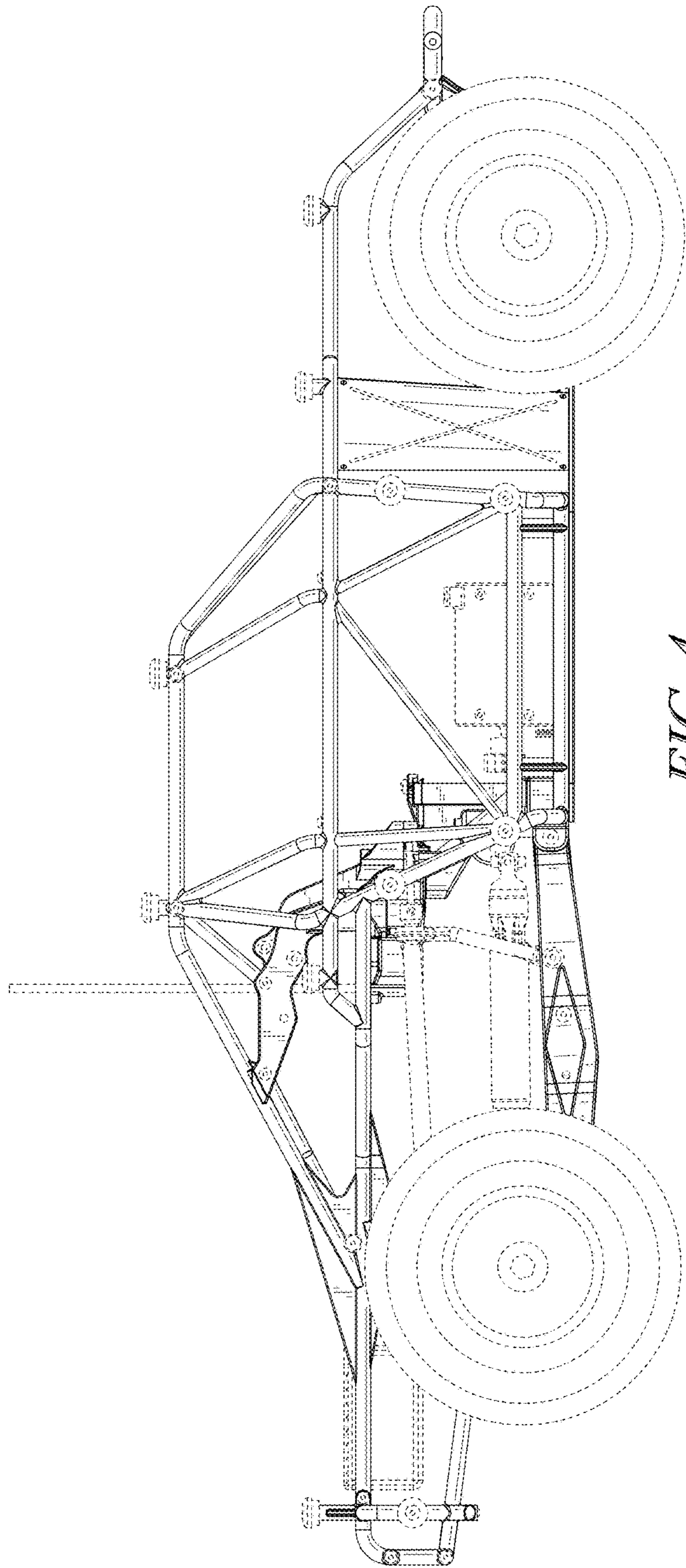
FIG. 1



*FIG. 2*



*FIG. 3*



*FIG. 4*

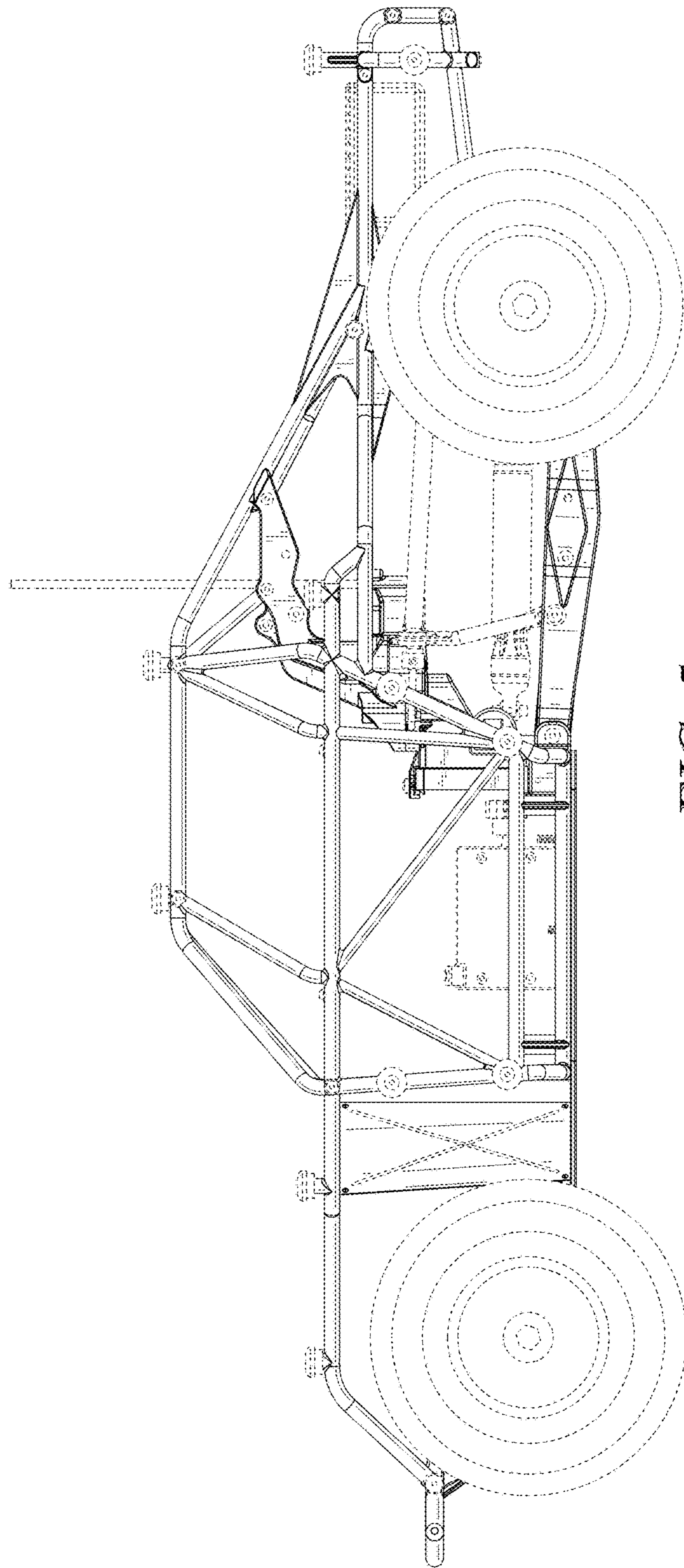


FIG. 5

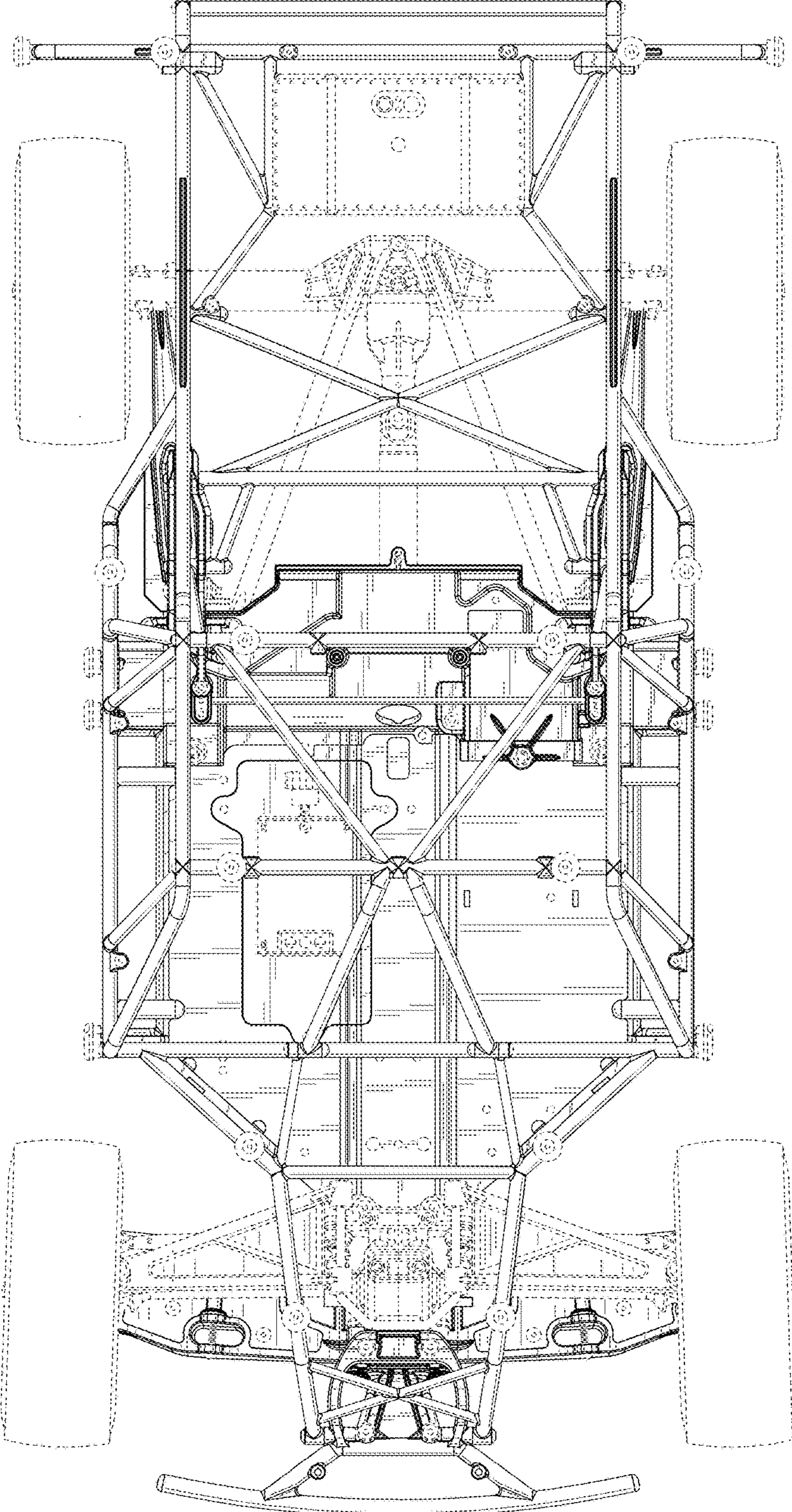


FIG. 6

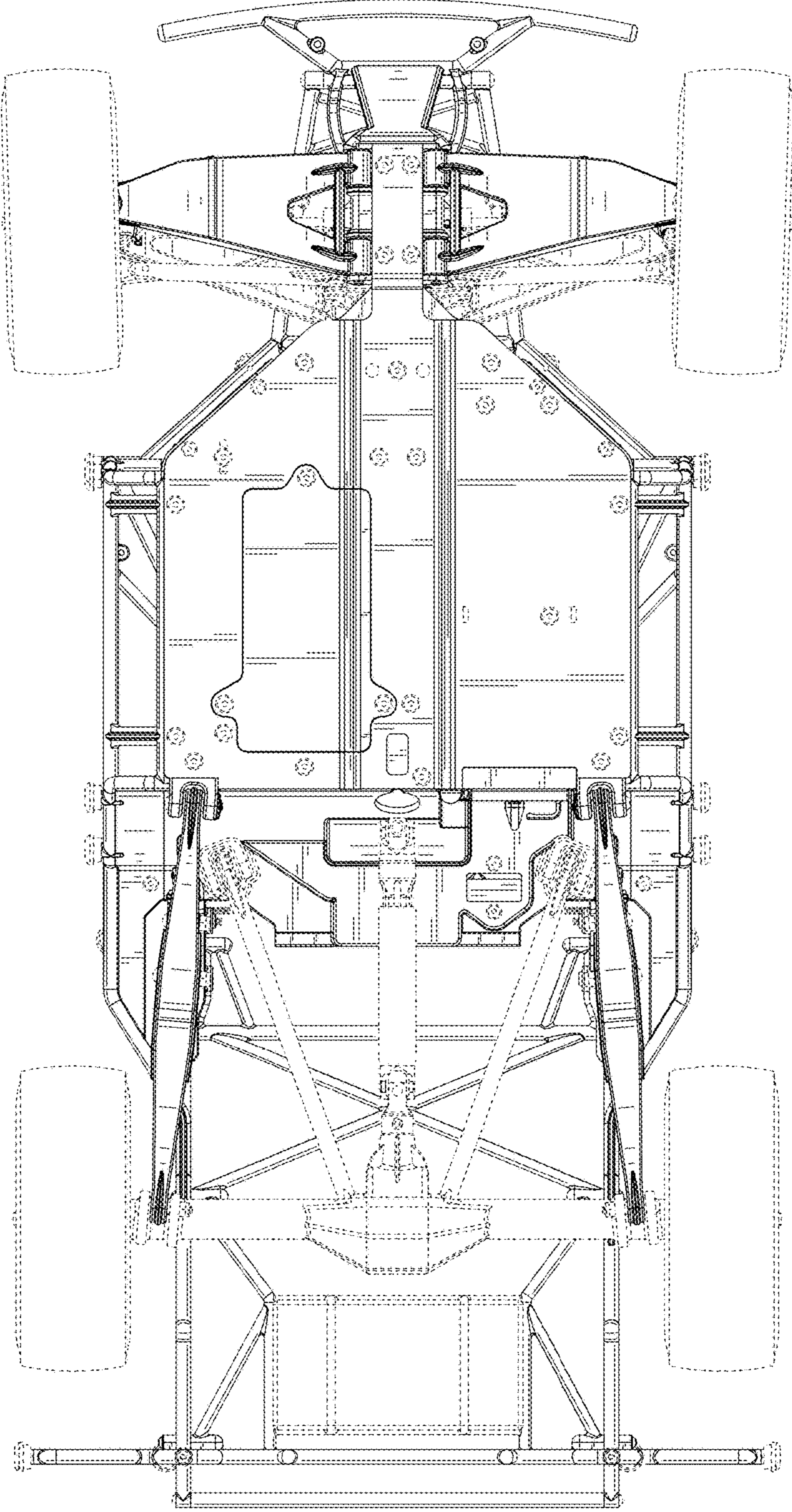


FIG. 7



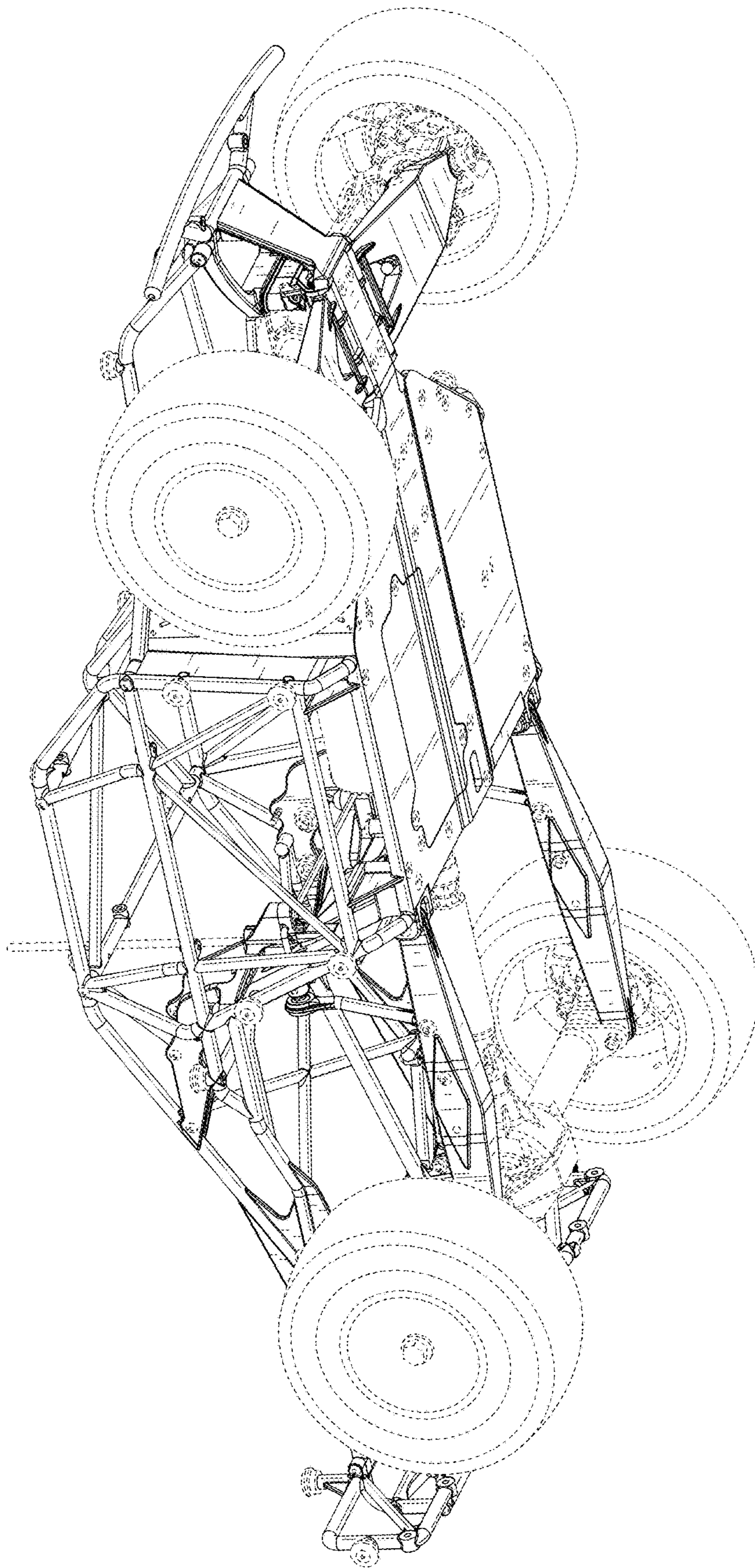
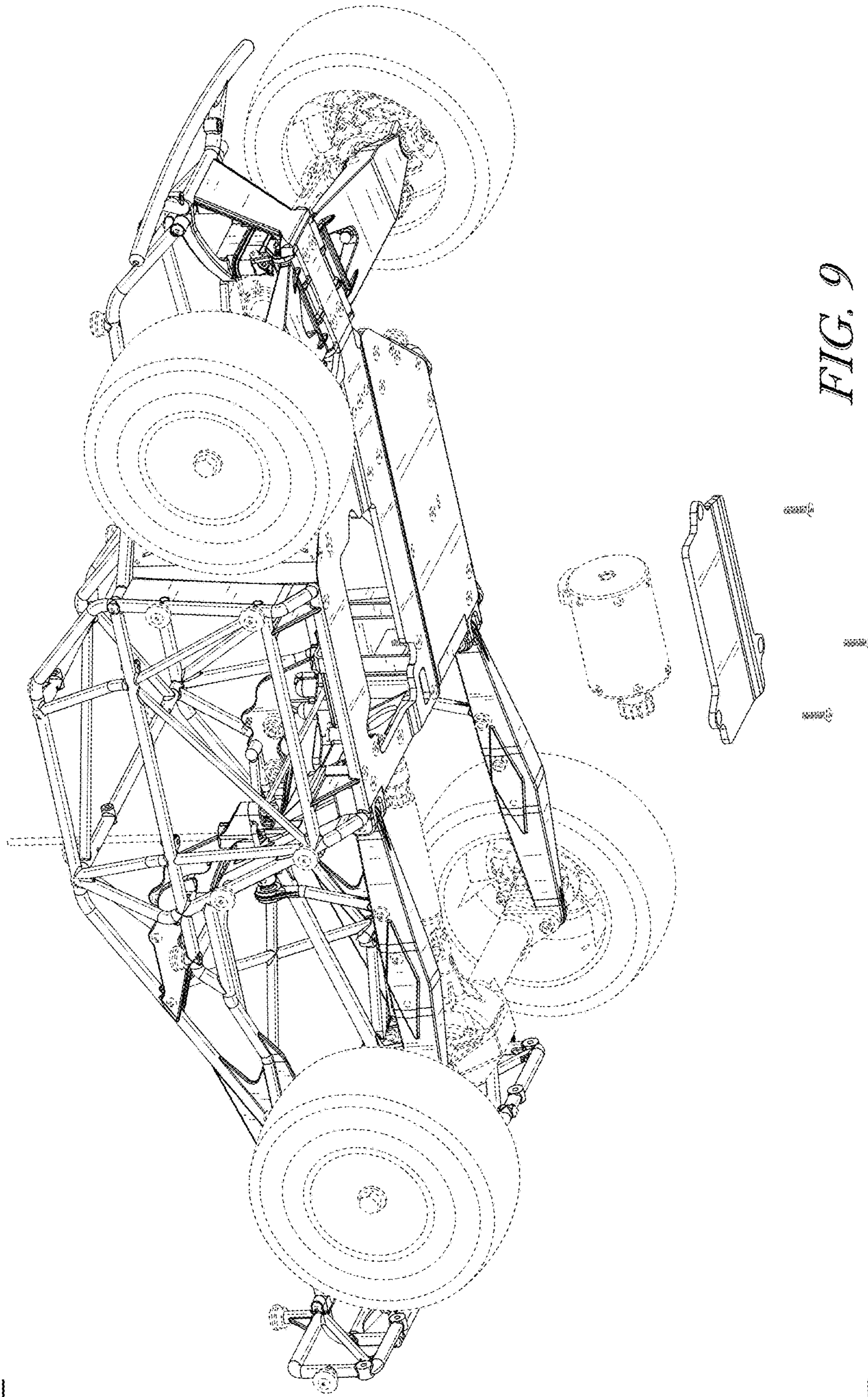


FIG. 8



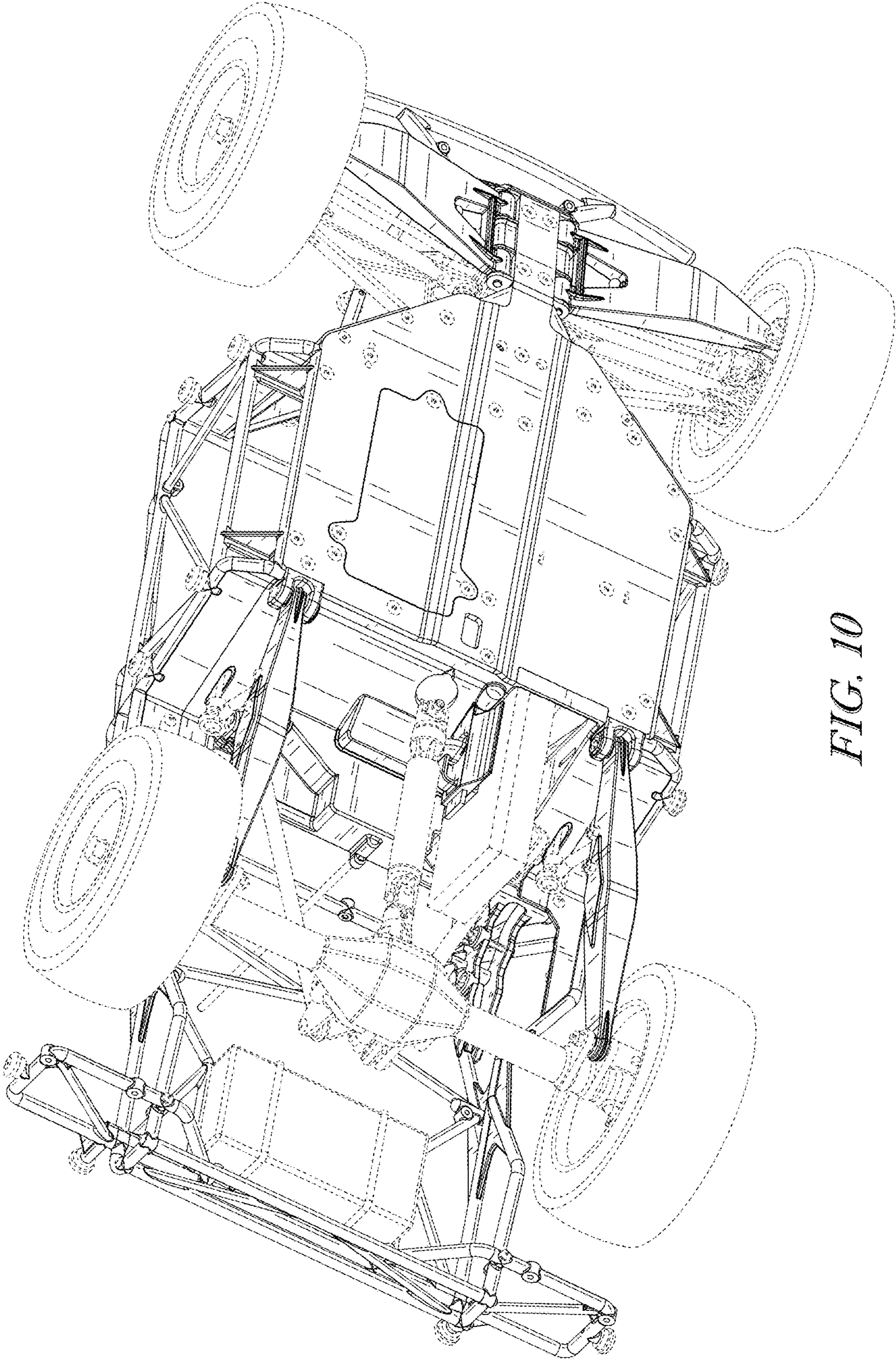
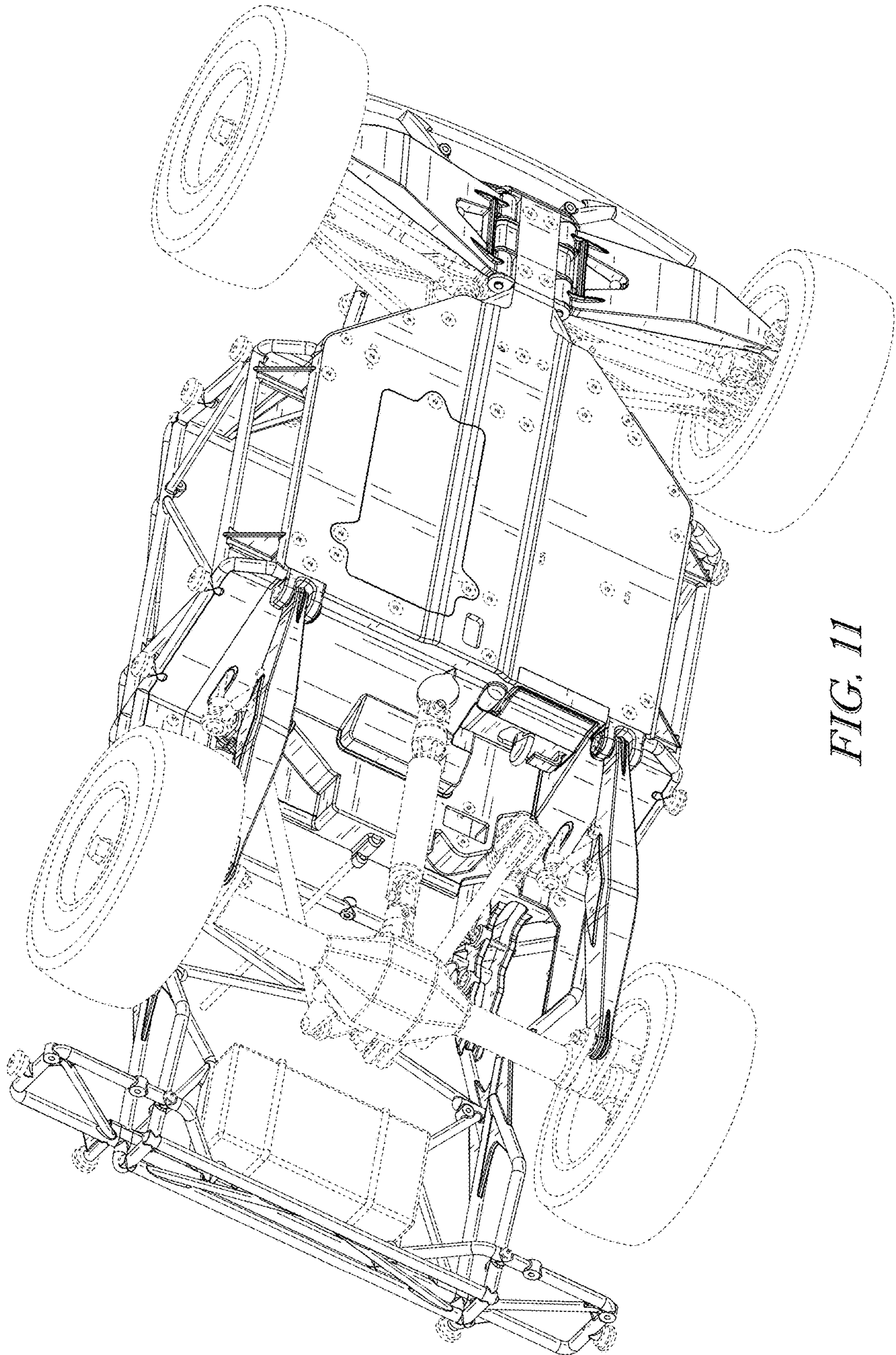


FIG. 10



*FIG. 11*

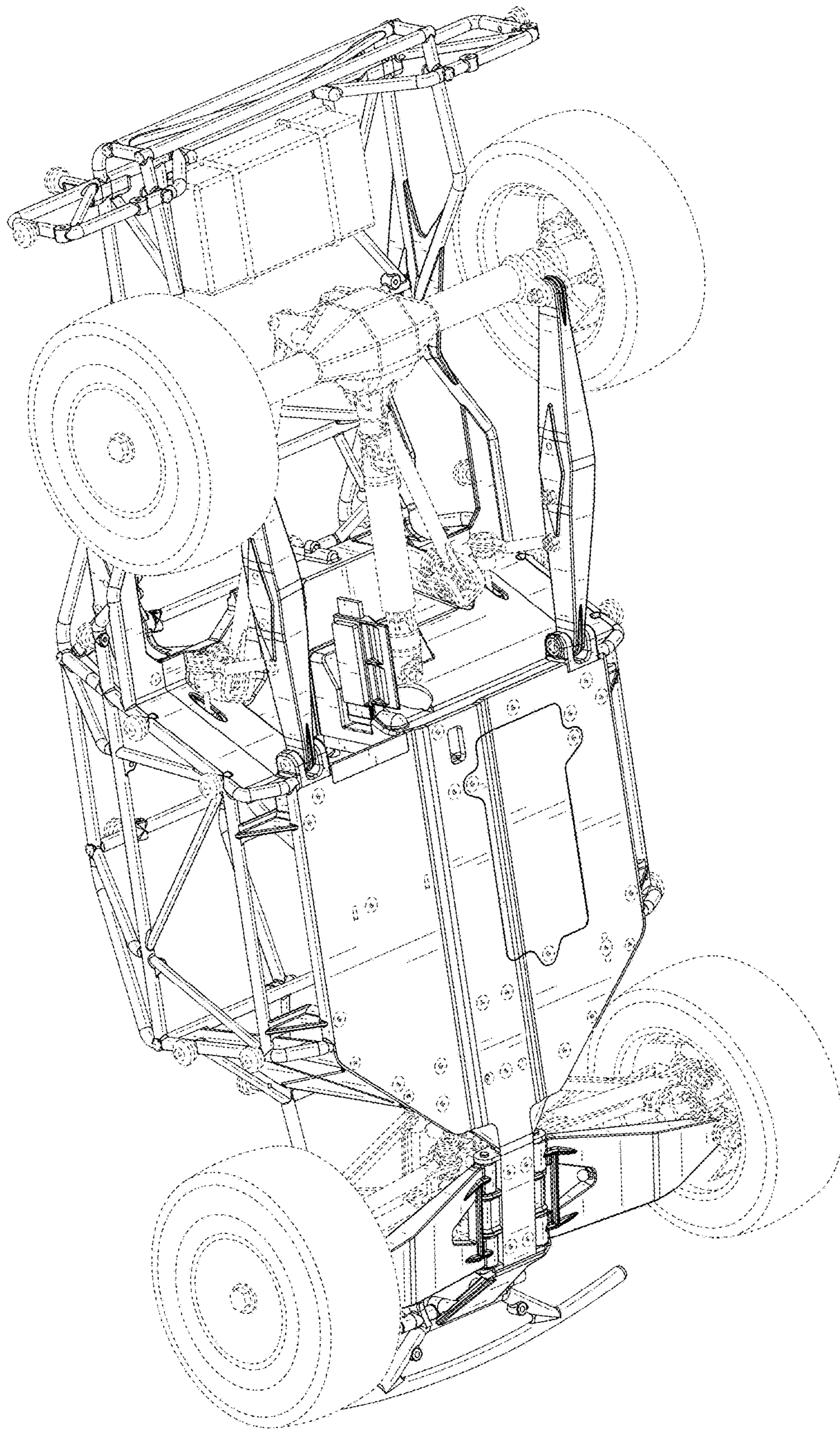


FIG. 12