



US00D829828S

(12) **United States Design Patent**
McLachlan et al.

(10) **Patent No.:** **US D829,828 S**
(45) **Date of Patent:** **** *Oct. 2, 2018**

- (54) **HANDHELD TOUCH OBJECT**
- (71) Applicant: **Antsy Labs, LLC**, Dacono, CO (US)
- (72) Inventors: **Matthew McLachlan**, Dacono, CO (US); **Mark McLachlan**, Frederick, CO (US)
- (73) Assignee: **Antsy Labs, LLC**, Dacono, CO (US)
- (*) Notice: This patent is subject to a terminal disclaimer.
- (**) Term: **15 Years**
- (21) Appl. No.: **29/615,501**
- (22) Filed: **Aug. 29, 2017**
Related U.S. Application Data
- (63) Continuation-in-part of application No. 29/590,129, filed on Jan. 6, 2017, now Pat. No. Des. 818,054.
- (51) **LOC (11) Cl.** **21-01**
- (52) **U.S. Cl.**
USPC **D21/468**; D21/398; D21/475
- (58) **Field of Classification Search**
USPC D21/300, 324, 331, 333, 385, 386, 373, D21/398, 404, 405, 406, 468, 471, 475, D21/476, 478, 479, 499; D3/208; D99/99; D19/59, 60, 95, 100; D24/200, D24/211, 214; D14/357, 358, 388, 400, D14/401, 412, 415, 454-457; 446/71, 446/227, 236, 397, 404, 487, 489, 491
CPC A63H 5/00; A63H 33/00; A63H 2200/00; A63F 2009/0007; A63F 2009/0027; A63F 2009/0049; A63F 2009/2402-2009/241; A63F 2009/2438; A63F 9/001; A63F 9/0826; A63F 2250/025; A63F 2250/48
See application file for complete search history.

- D251,993 S 5/1979 Birdsall
 - D262,549 S 1/1982 Clanton
 - D269,984 S 8/1983 McKechnie
 - D273,688 S 5/1984 Rocco
- (Continued)

FOREIGN PATENT DOCUMENTS

- CN 300713262 * 11/2007
 - CN 301999293 * 7/2012
- (Continued)

OTHER PUBLICATIONS

Fidget Cube: A Vinyl Desk Toy. <https://web.archive.org/web/20160912092344/https://www.kickstarter.com/projects/antsylabs/fidget-cube-a-vinyl-desk-toy/> Web Archive capture date: Sep. 12, 2016, accessed Nov. 22, 2017. (Year: 2016).*

(Continued)

Primary Examiner — Catherine A Tuttle
(74) *Attorney, Agent, or Firm* — Polsinelli PC

(57) **CLAIM**

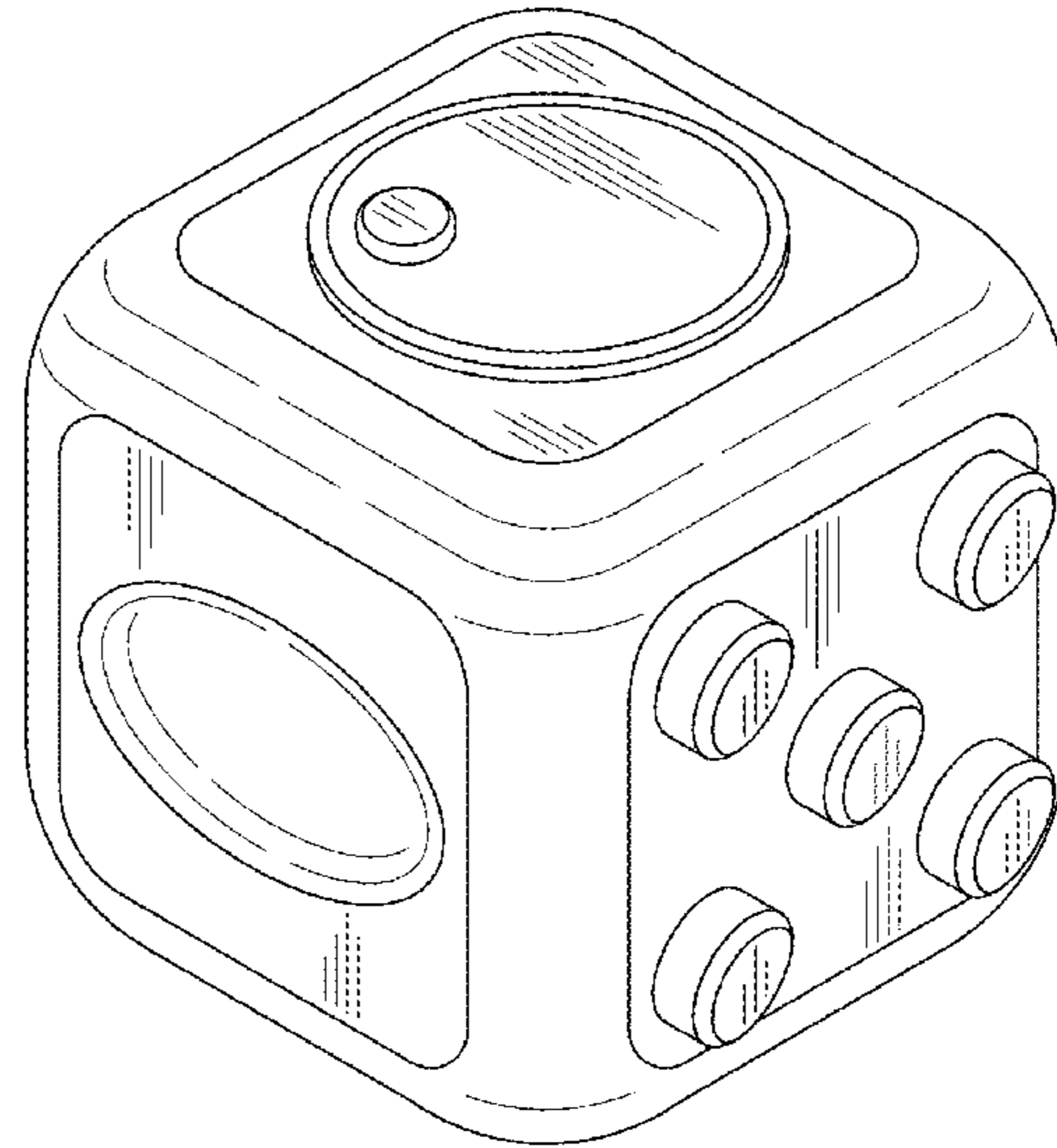
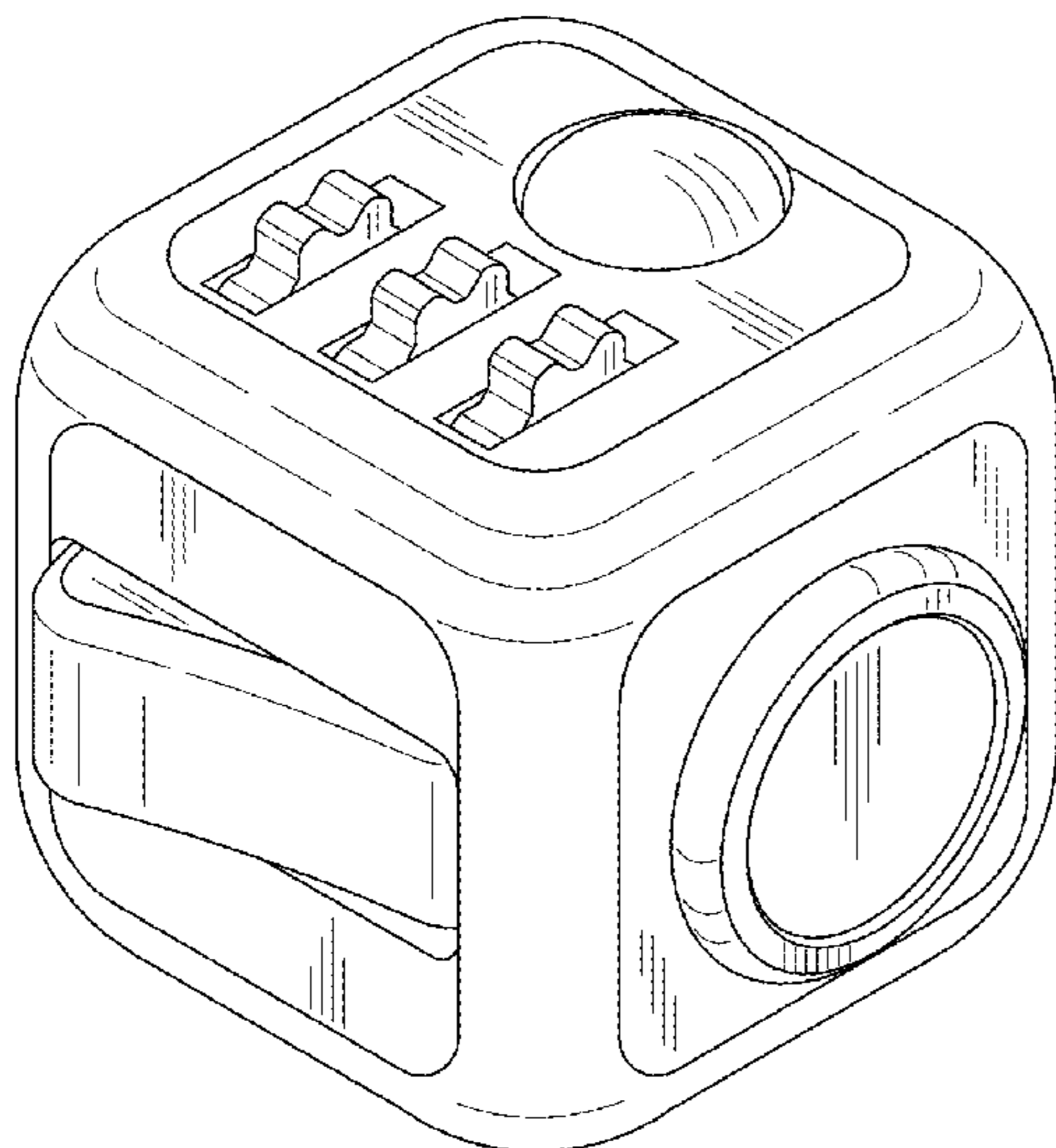
The ornamental design for a handheld touch object, as shown and described.

DESCRIPTION

FIG. 1 is a top, front and left perspective view of the handheld touch object showing our new design.
FIG. 2 is a right, back and bottom perspective view thereof.
FIG. 3 is a front elevation view thereof.
FIG. 4 is a back elevation view thereof.
FIG. 5 is a top plan view thereof.
FIG. 6 is a bottom plan view thereof.
FIG. 7 is a right side view thereof; and,
FIG. 8 is a left side view thereof.

1 Claim, 5 Drawing Sheets

- (56) **References Cited**
U.S. PATENT DOCUMENTS
3,225,460 A 12/1965 Randell et al.
3,488,880 A 1/1970 Taylor



(56)

References Cited

U.S. PATENT DOCUMENTS

4,698,023 A 10/1987 Marino
 D319,803 S 9/1991 Traner
 5,249,808 A 10/1993 Batté
 5,292,276 A 3/1994 Manalo
 D366,506 S 1/1996 Lindquist
 5,591,062 A 1/1997 Hettinger
 D391,517 S 3/1998 Guský
 D391,999 S 3/1998 Chininis
 D404,826 S 1/1999 Cherry
 6,200,193 B1 3/2001 Nadel
 D446,826 S 8/2001 Dunn et al.
 6,461,216 B1 10/2002 Applewhite et al.
 6,491,562 B1 12/2002 Jackson
 D490,483 S 5/2004 Auberger
 6,893,316 B2 5/2005 Maxwell et al.
 D506,023 S 6/2005 Huang
 7,044,827 B1 5/2006 Krull
 D531,229 S 10/2006 Vanbeneden
 7,238,026 B2 7/2007 Brown et al.
 7,361,075 B1 4/2008 Krull
 7,677,946 B2 3/2010 Mayer
 D616,045 S 5/2010 Tervo
 8,033,547 B1 10/2011 Bryce
 8,408,549 B2 4/2013 Howard et al.
 D710,951 S 8/2014 Robertson et al.
 D722,658 S 2/2015 Marschall et al.
 D745,903 S 12/2015 Armani
 D754,263 S 4/2016 Wolff
 D760,324 S 6/2016 Akimoto
 D761,230 S 7/2016 Si
 D763,972 S 8/2016 Kiribuchi
 2009/0325458 A1 12/2009 Liu
 2015/0125838 A1 5/2015 Pack
 2015/0202544 A1 7/2015 Snee, Jr. et al.
 2016/0030854 A1 2/2016 Shaanti

FOREIGN PATENT DOCUMENTS

CN 303997727 * 1/2017
 CN 304082333 * 3/2017
 WO DM/096997 3/2017

OTHER PUBLICATIONS

Antsy Labs Fidget Cube, YouTube video published Aug. 31, 2016 at <https://www.youtube.com/watch?v=m5eq0TVxCKw> : Screen shots of the main page and 2:02, 3:28, 3:51, 3:56, 3:59, 4:06, 4:07, 4:14, 4:15, 4:22, 4:24, 4:32, 4:36, 4:43, 4:56, 4:52. [accessed Mar. 2, 2018] (Year: 2016).*

U.S. Appl. No. 29/590,129, filed Jan. 6, 2017, Antsy Labs, LLC. Fancy White. Latest stress relief colorful mini fidget cube magic small toys for kids. https://www.alibaba.com/product-detail/Latest-stress-relief-colorful-mini-fidget_60573942317.html. Webpage accessed Jul. 18, 2017.

Fidget Cube: A Vinyl Desk Toy. <https://www.kickstarter.com/projects/antsylabs/fidget-cube-a-vinyl-desk-toy/description>. Webpage accessed Jan. 19, 2017.

IceGo. Promo Fish Animal Shaped Stress Balls. <https://icego.com.au/product/promo-fish-animal-shaped-stress-balls>. Webpage accessed Jul. 18, 2017.

Newest Design 11 Styles Puzzle Magic Fidget Cube Stress Relief Toys. https://www.alibaba.com/product-detail/Newest-Design-11-Styles-Puzzle-Magic_60588460525.html. Webpage accessed Jul. 18, 2017.

Polden J. Pop till you drop! 'Infinite bubble wrap' is the must-have toy for those permanently in need of stress relief. DailyMail.com. Published Jan. 14, 2016. <http://www.dailymail.co.uk/news/article-3398950/Pop-till-drop-Infinite-bubble-wrap-toy-permanently-need-stress-relief.html>.

Squidget. <http://www.squidgetine.com>. Webpage accessed Jul. 18, 2017.

Antsy Labs, "Fidget Cube", youtube video, published Aug. 31, 2016, <https://www.youtube.com/watch?v=m5eq0TVxCKw>.

International Search Report and Written Opinion, PCT/US2017/049461, dated Nov. 20, 2017.

* cited by examiner

FIG. 1

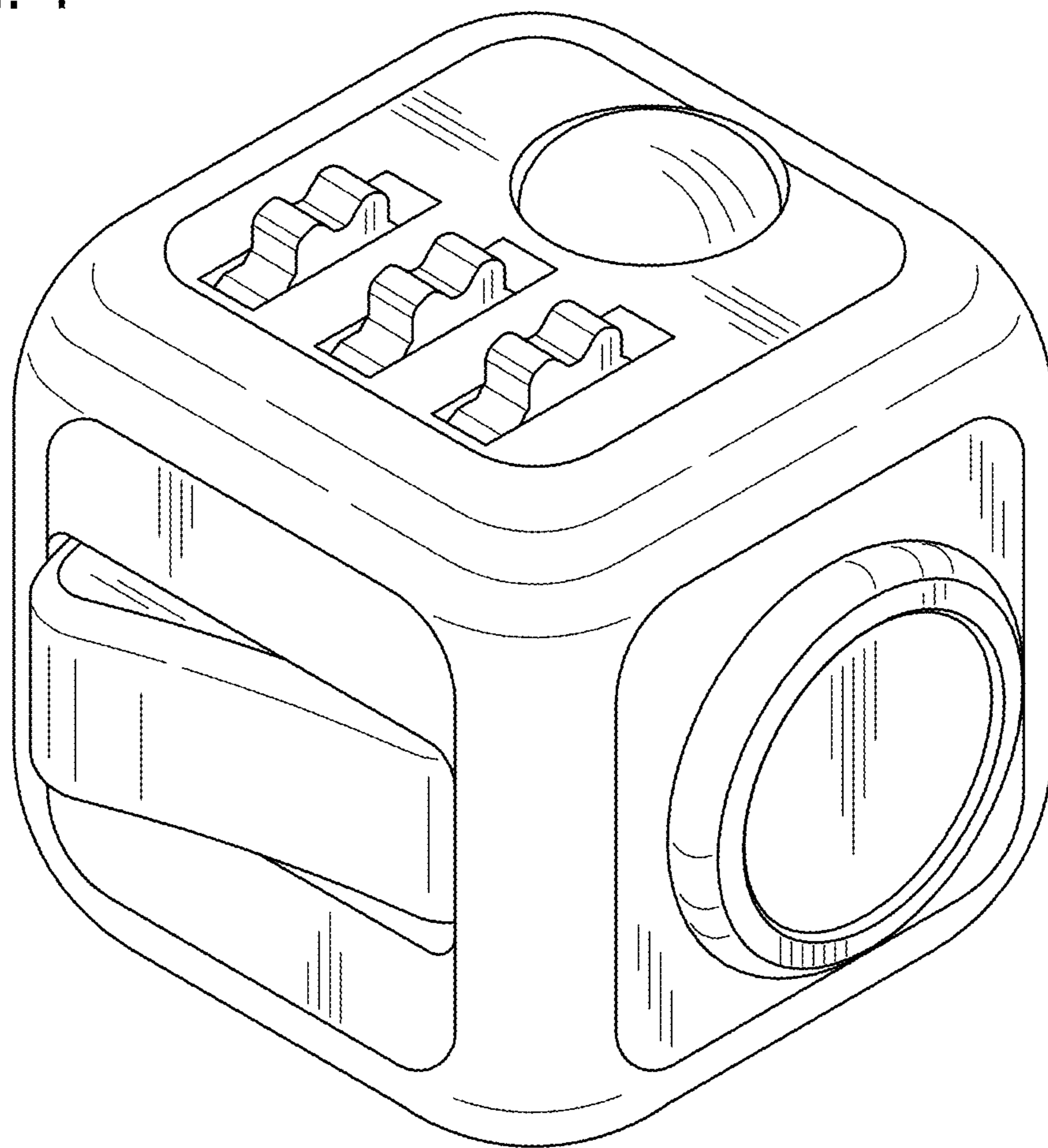


FIG. 2

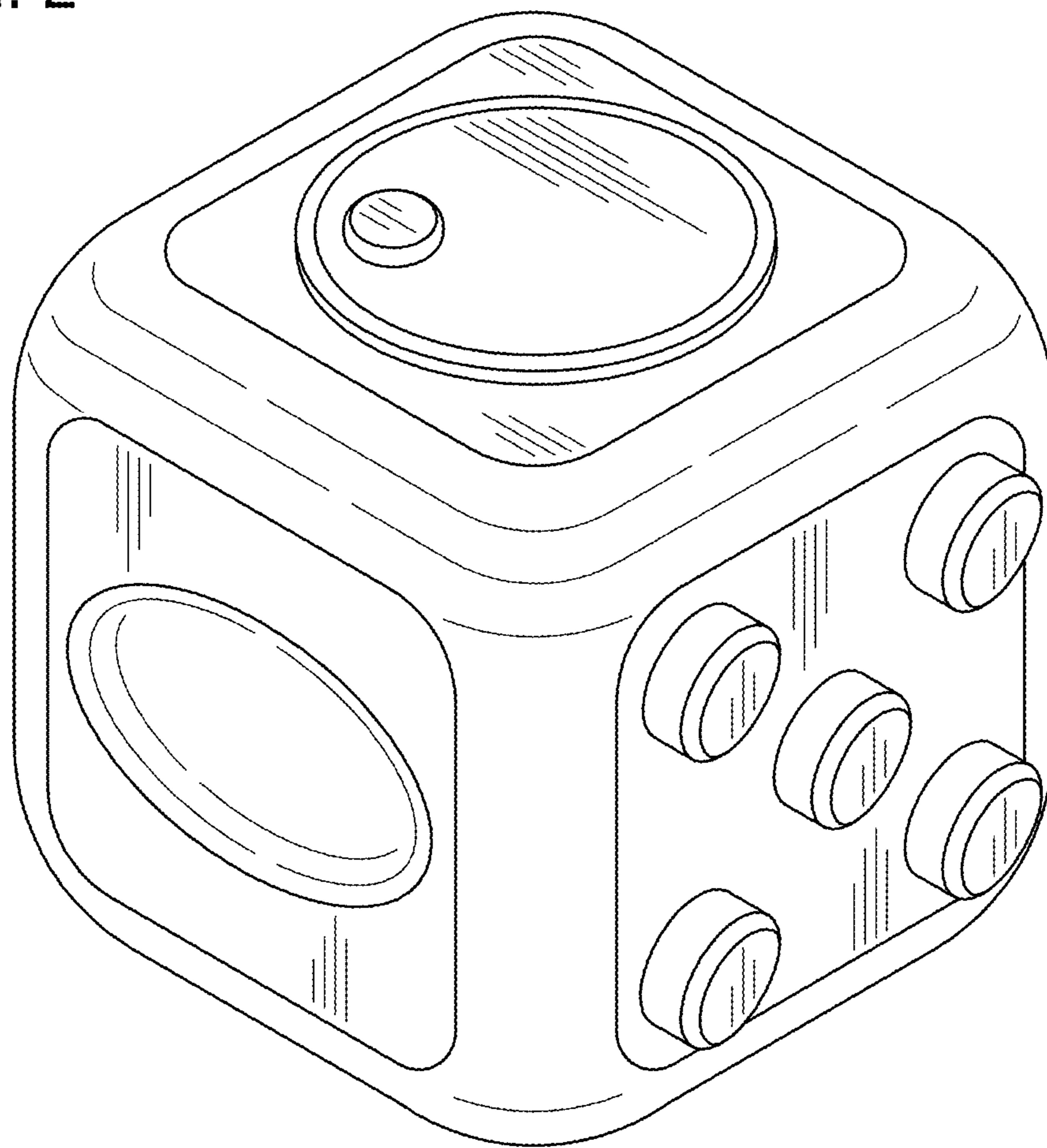


FIG. 3

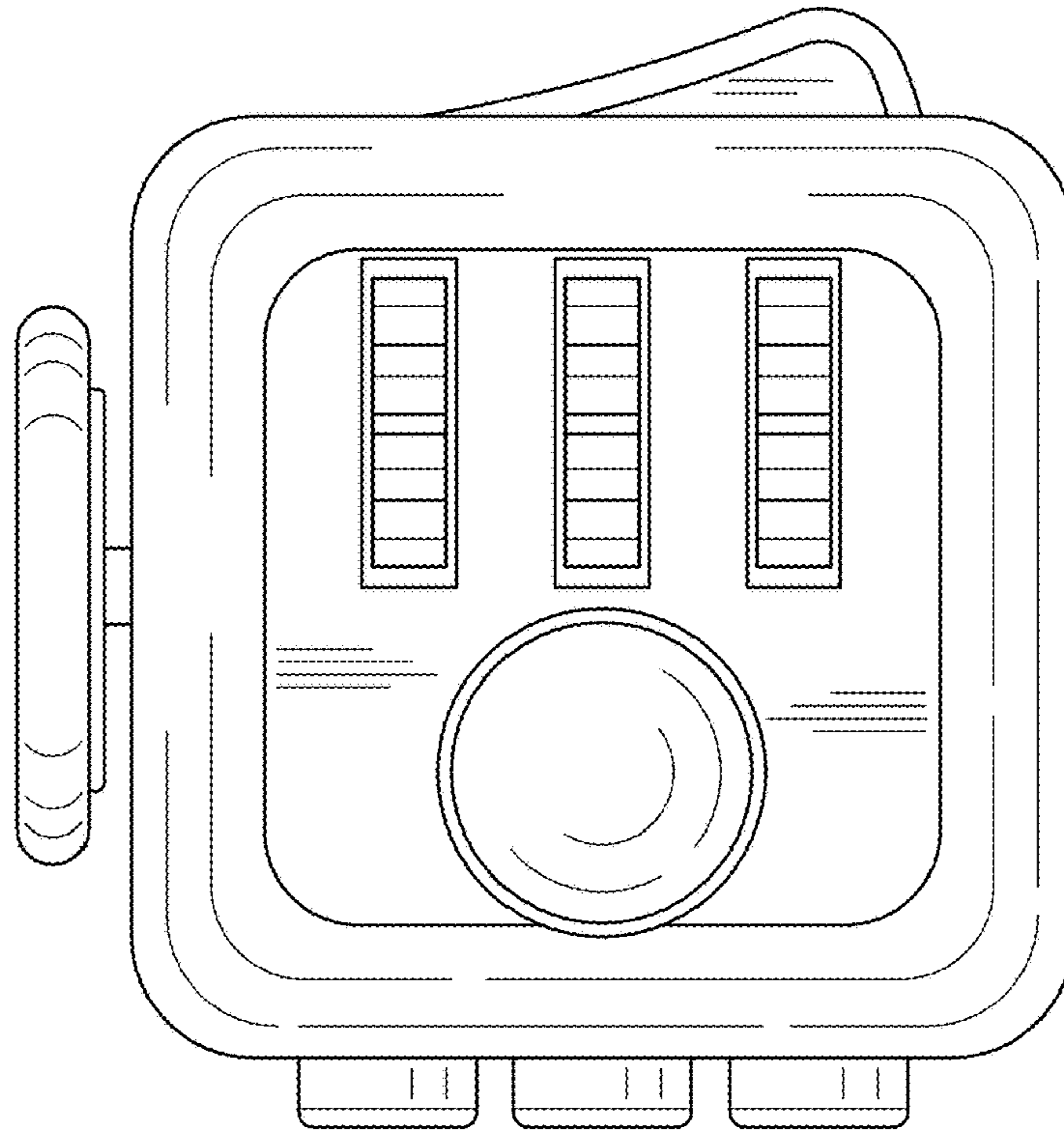


FIG. 4

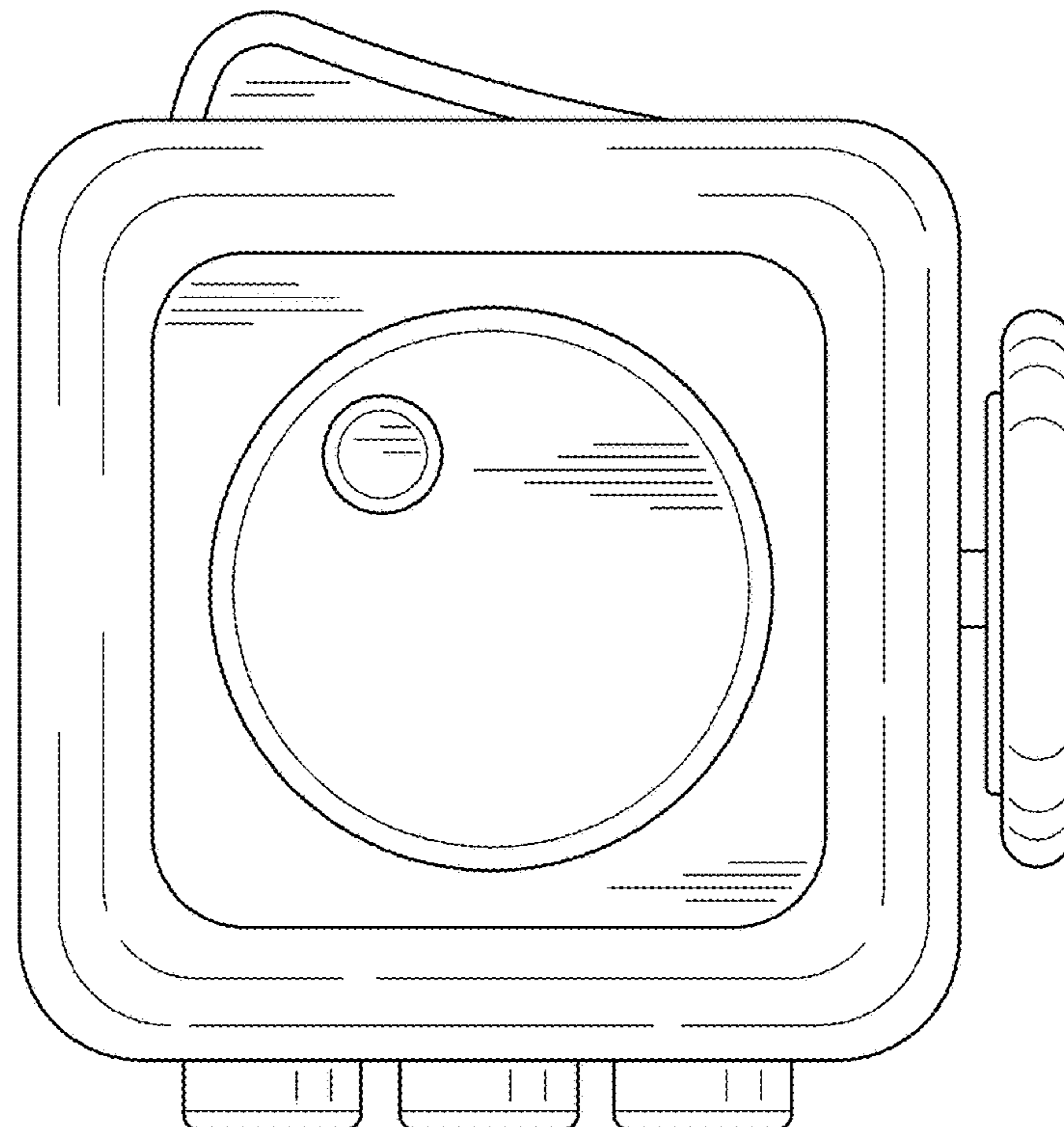


FIG. 5

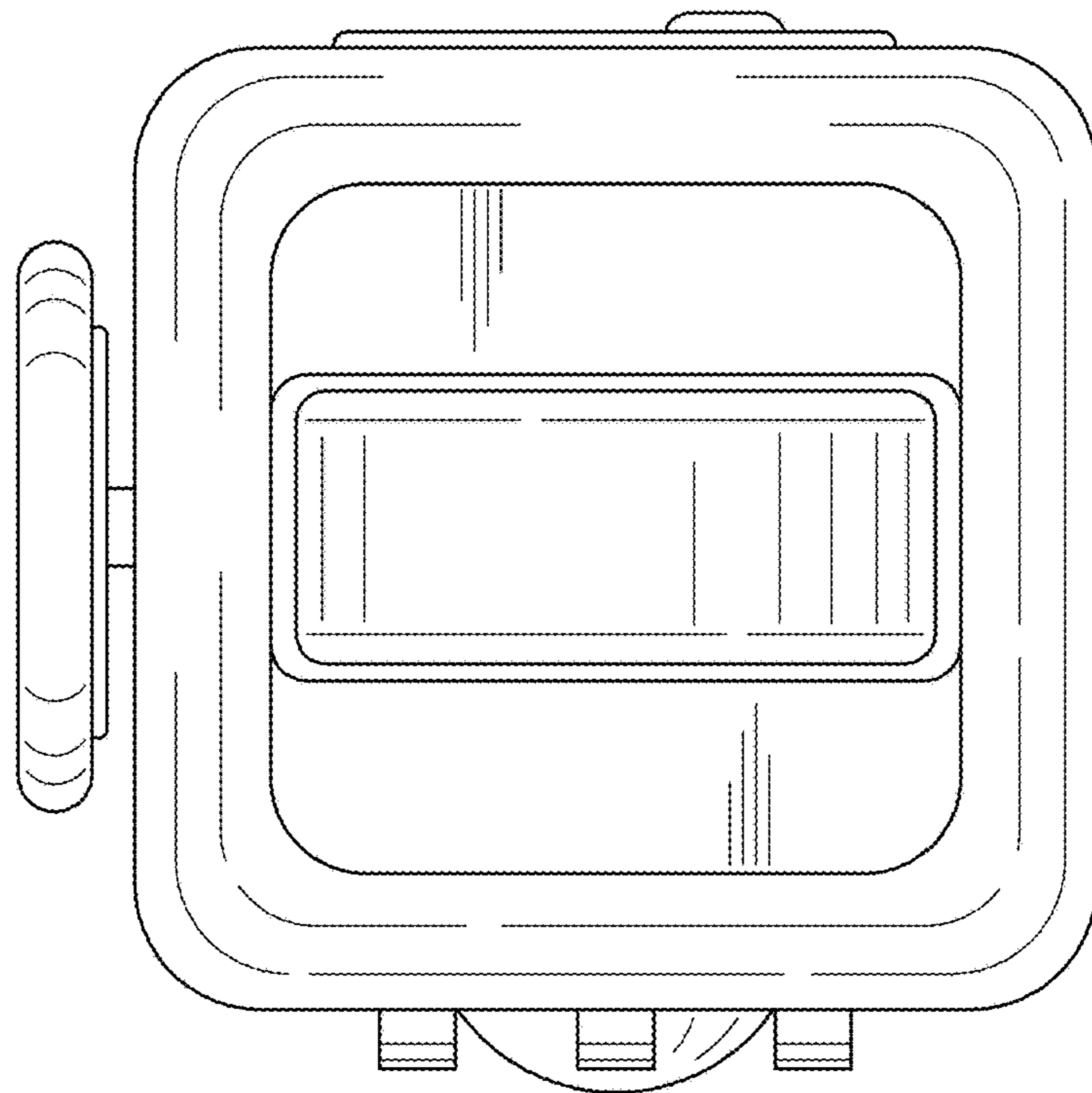


FIG. 6

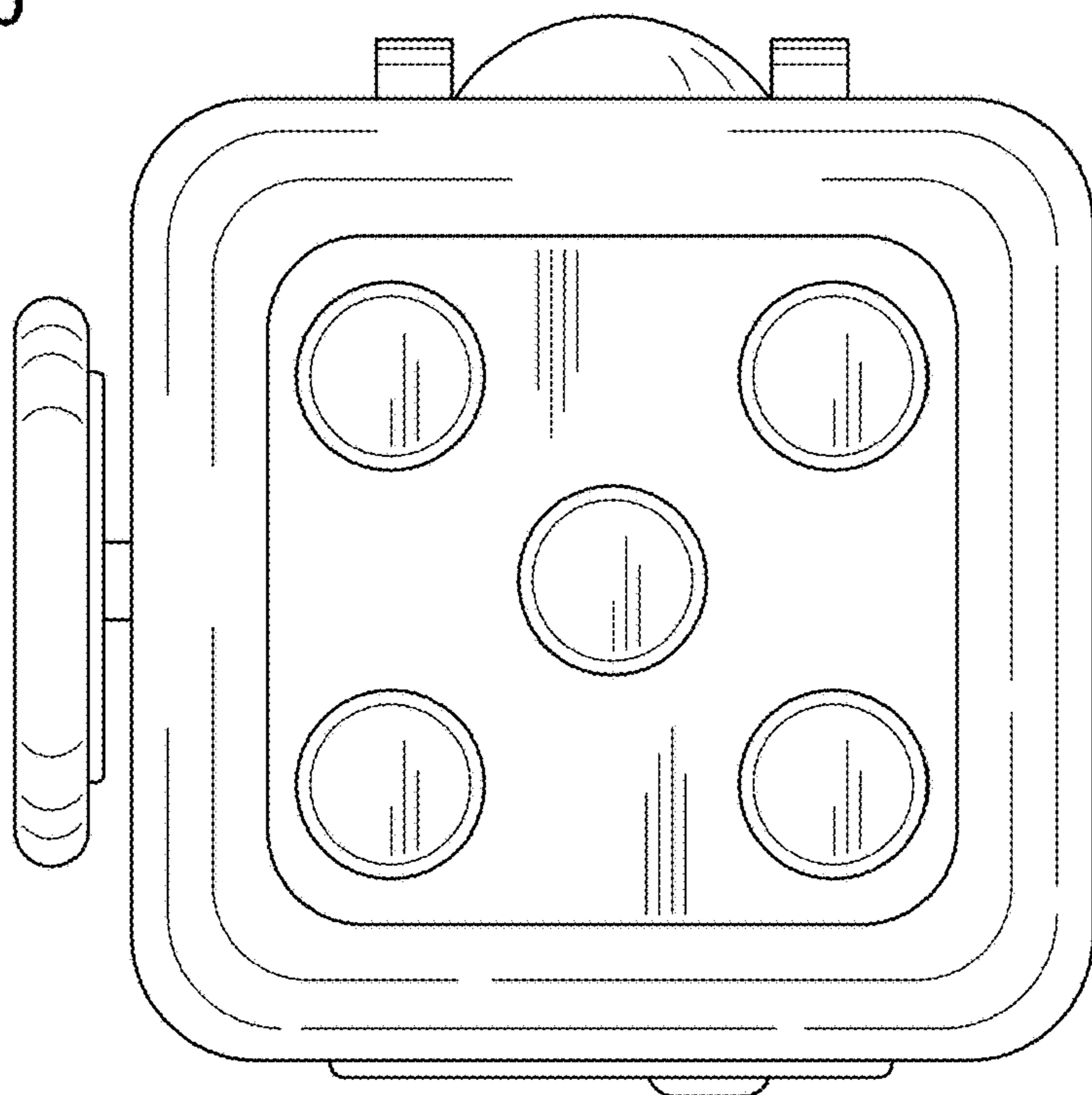


FIG. 7

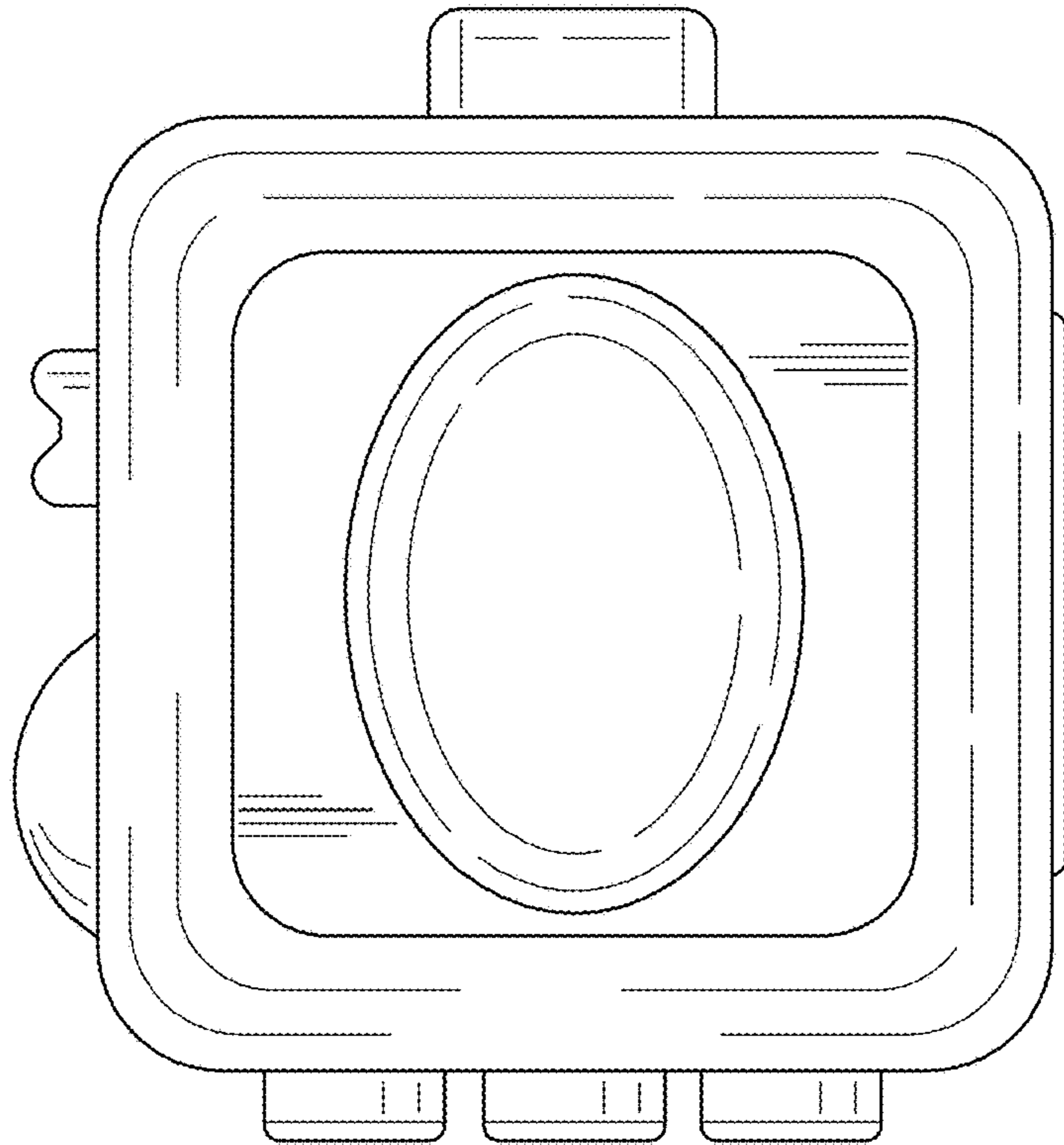


FIG. 8

