



US00D829826S

(12) **United States Design Patent** (10) **Patent No.:** **US D829,826 S**  
**Liu et al.** (45) **Date of Patent:** **\*\* Oct. 2, 2018**

(54) **SCOOTER**

(71) Applicant: **NINEBOT (BEIJING) TECH. CO., LTD**, Beijing (CN)

(72) Inventors: **Xing Liu**, Beijing (CN); **Lie Liu**, Beijing (CN); **Ye Wang**, Beijing (CN); **Lufeng Gao**, Beijing (CN)

(73) Assignee: **Ninebot (Beijing) Tech. Co., Ltd.**, Beijing (CN)

(\*\*) Term: **15 Years**

(21) Appl. No.: **35/503,535**

(22) Filed: **May 18, 2017**

(80) **Hague Agreement Data**

Int. Filing Date: **May 18, 2017**

Int. Reg. No.: **DM/097207**

Int. Reg. Date: **May 18, 2017**

Int. Reg. Pub. Date: **Aug. 18, 2017**

(30) **Foreign Application Priority Data**

Nov. 18, 2016 (CN) ..... 2016 3 0561563

(51) **LOC (11) Cl.** ..... **21-01**

(52) **U.S. Cl.**  
USPC ..... **D21/423**

(58) **Field of Classification Search**  
USPC ..... D21/423; D12/111  
(Continued)

(56) **References Cited**

**U.S. PATENT DOCUMENTS**

D435,873 S \* 1/2001 Lee ..... D21/423

D443,001 S \* 5/2001 Ouboter ..... D21/423

(Continued)

*Primary Examiner* — George D. Kirschbaum

*Assistant Examiner* — Joseph J Kukella

(74) *Attorney, Agent, or Firm* — Margaret Polson; Polson Intellectual Property Law, PC

(57) **CLAIM**

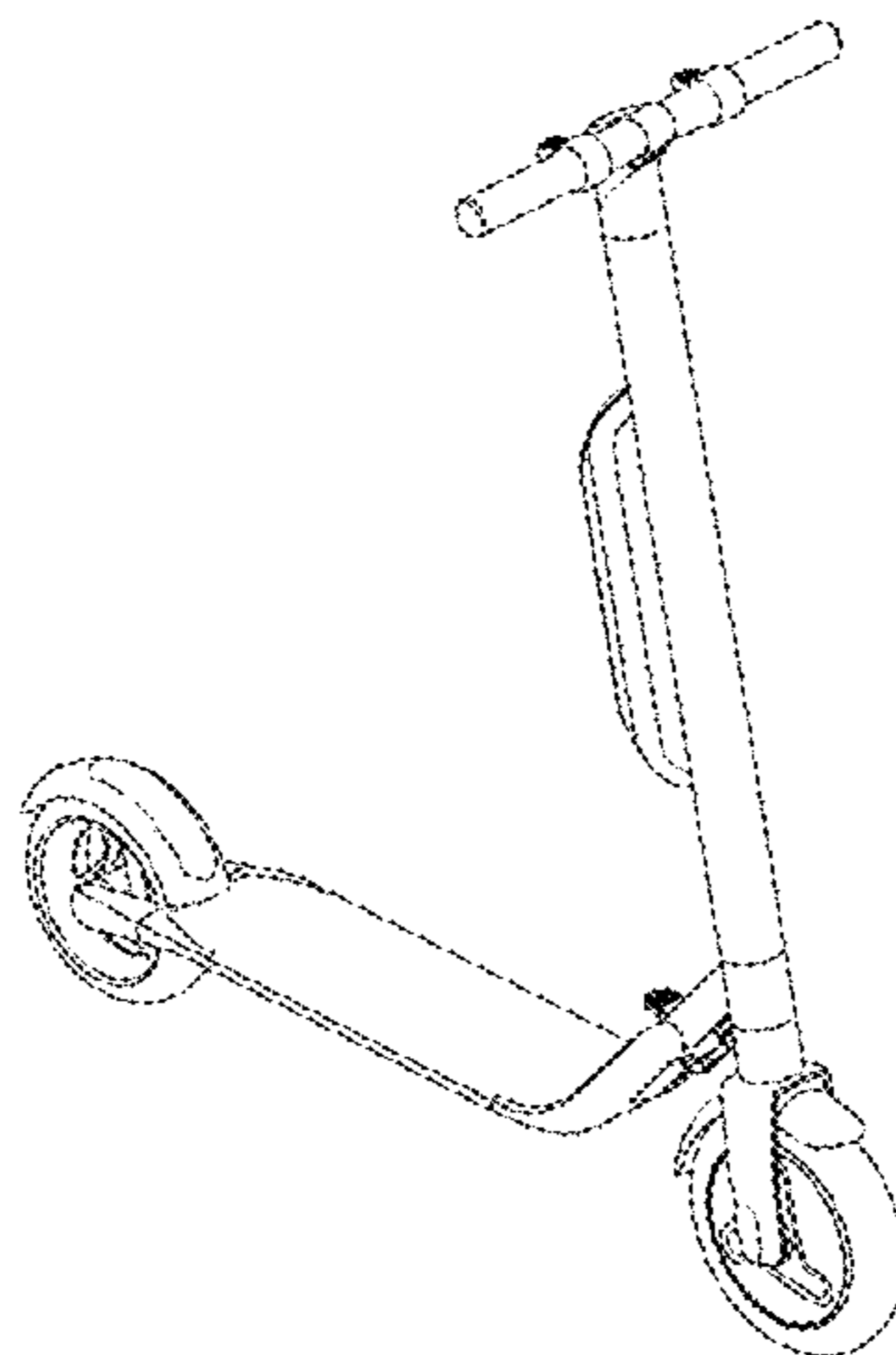
The ornamental design for a scooter, as shown and described.

**DESCRIPTION**

The patent or application file contains at least one drawing executed in color. Copies of this patent or patent application publication with color drawing(s) will be provided by the Office upon request and payment of the necessary fee.

- 1.-4. Scooter
- 1.1 : Front
- 1.2 : Back
- 1.3 : Left
- 1.4 : Right
- 1.5 : Top
- 1.6 : Bottom
- 1.7 : Perspective
- 1.8 : Perspective view of changing state
- 2.1 : Front
- 2.2 : Back
- 2.3 : Left
- 2.4 : Right
- 2.5 : Top
- 2.6 : Bottom
- 2.7 : Perspective
- 2.8 : Perspective view of changing state
- 3.1 : Front
- 3.2 : Back
- 3.3 : Left
- 3.4 : Right
- 3.5 : Top
- 3.6 : Bottom
- 3.7 : Perspective
- 3.8 : Perspective view of changing state
- 4.1 : Front
- 4.2 : Back
- 4.3 : Left
- 4.4 : Right
- 4.5 : Top
- 4.6 : Bottom

(Continued)



4.7 : Perspective

4.8 : Perspective view of changing state

**1 Claim, 32 Drawing Sheets  
(16 of 32 Drawing Sheet(s) Filed in Color)**

(58) **Field of Classification Search**

CPC ... B62K 9/00; B62K 3/00; B62K 3/02; B62K  
3/04; B62K 3/06; B62K 3/08; B62K 3/10

See application file for complete search history.

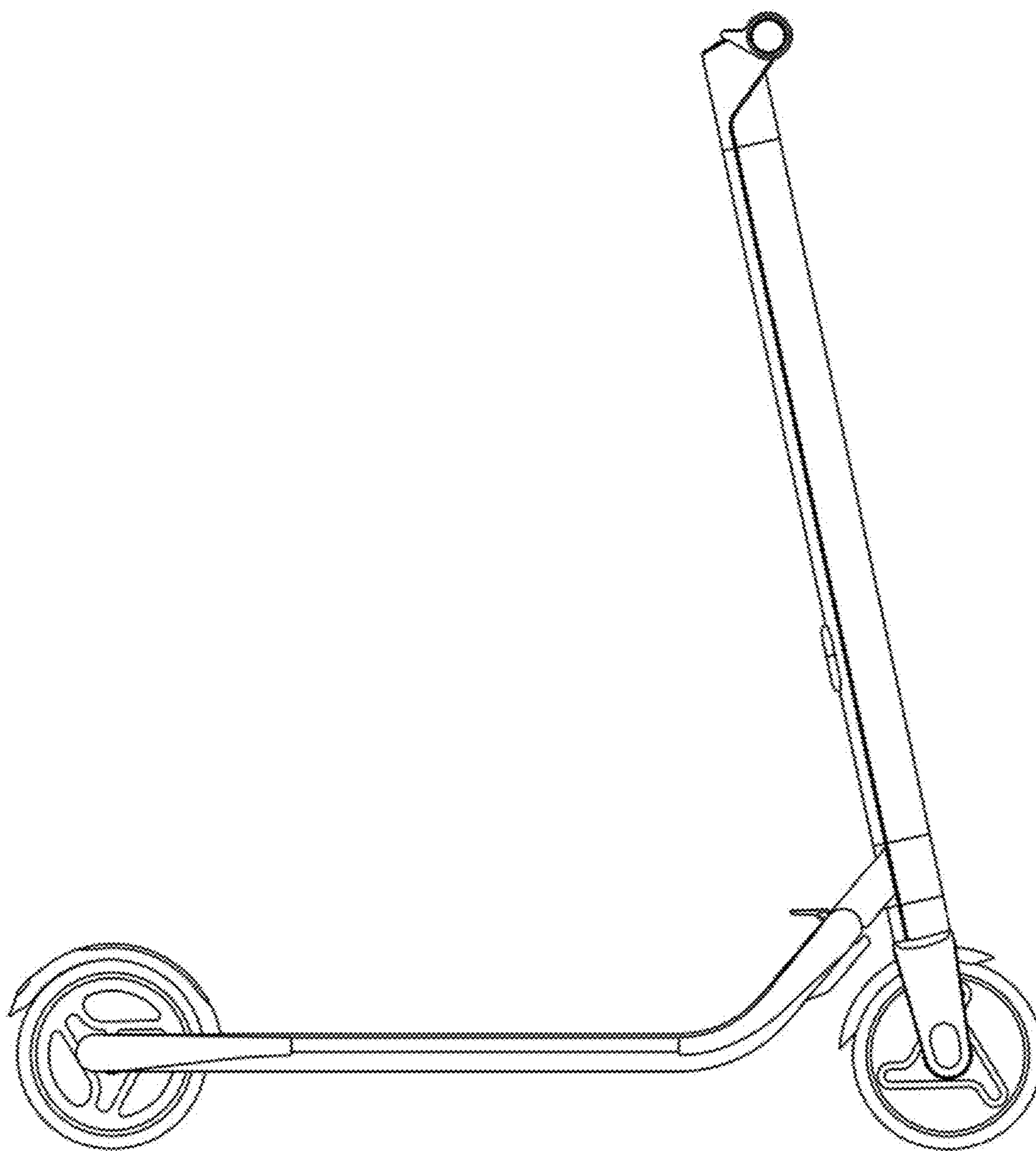
(56) **References Cited**

U.S. PATENT DOCUMENTS

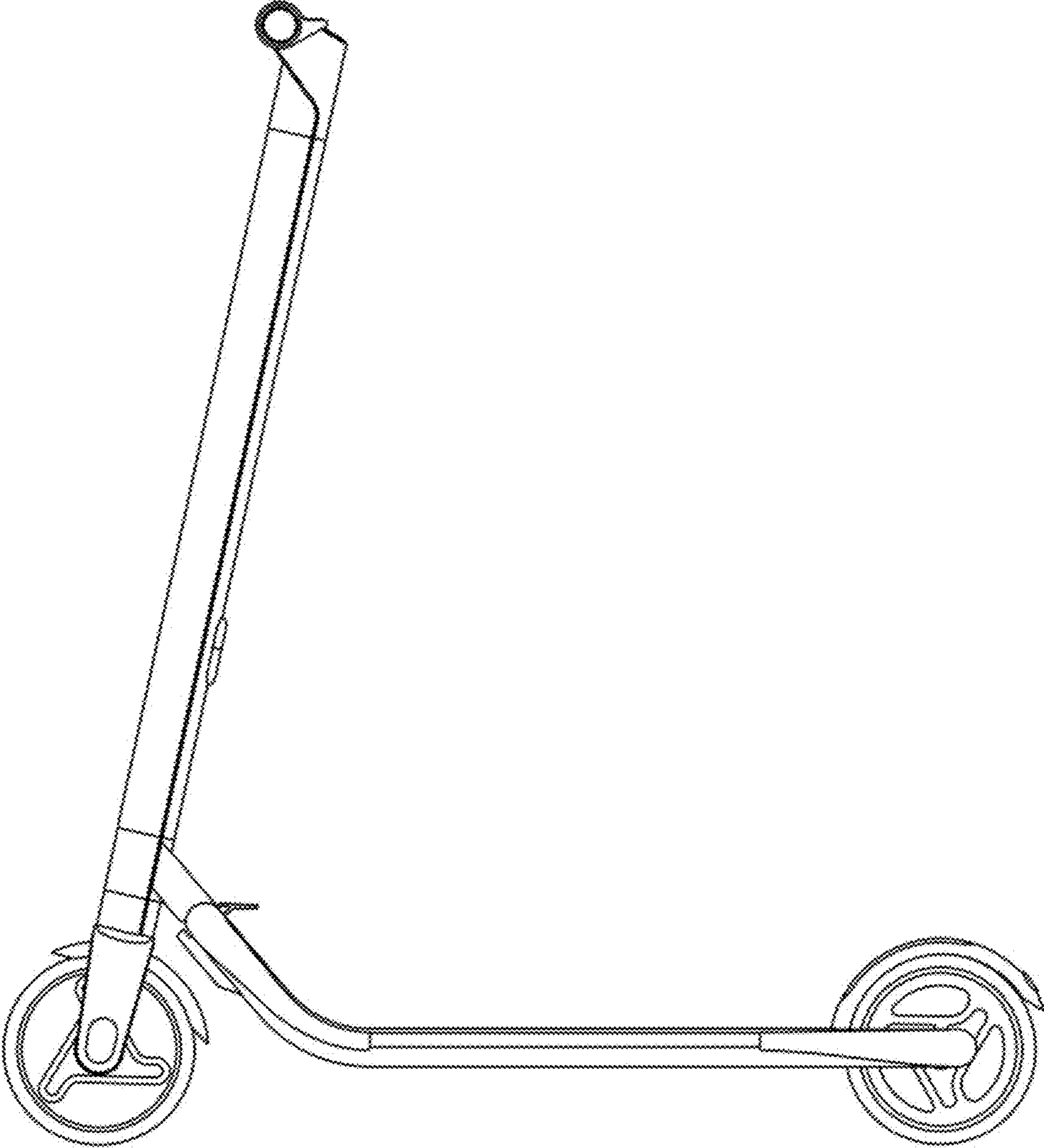
D444,824	S	*	7/2001	Udwin	.....	D21/423
D446,259	S	*	8/2001	Udwin	.....	D21/423
D452,284	S	*	12/2001	McGinnis	.....	D21/423
D467,625	S	*	12/2002	Clark	.....	D21/423
D654,963	S	*	2/2012	Powers	.....	D21/423
D671,600	S	*	11/2012	Horne	.....	D21/423
D692,963	S	*	11/2013	Radtke	.....	D21/423
D717,881	S	*	11/2014	Radtke	.....	D21/423
D728,033	S	*	4/2015	O'connell	.....	D21/423
D738,435	S	*	9/2015	O'Connell	.....	D21/423
D777,844	S	*	1/2017	O Connell	.....	D21/423
D806,176	S	*	12/2017	Peng	.....	D21/423
D815,215	S	*	4/2018	Desberg	.....	D21/423
D818,541	S	*	5/2018	Huang	.....	B62K 3/002 D21/423
2016/0096578	A1	*	4/2016	Fan	.....	B62K 3/002 280/87.041

\* cited by examiner

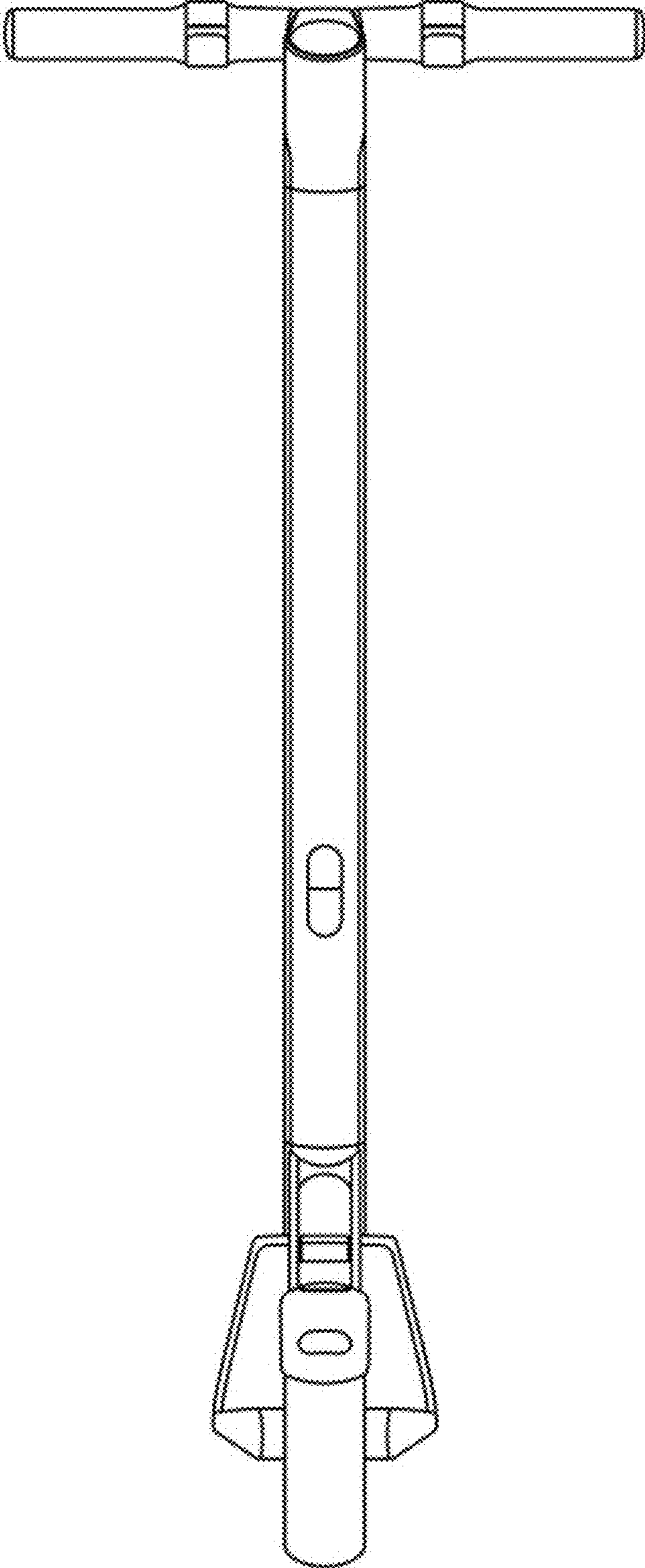
1.1



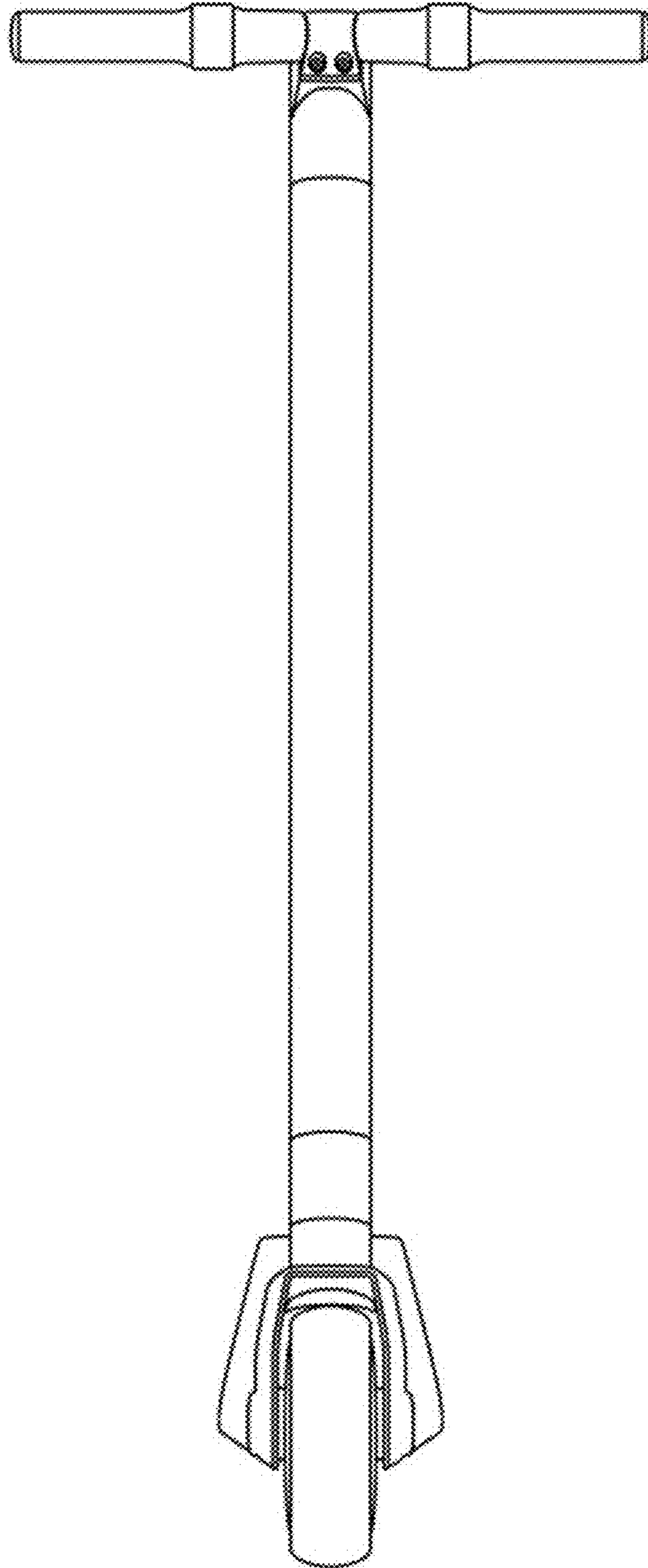
1.2



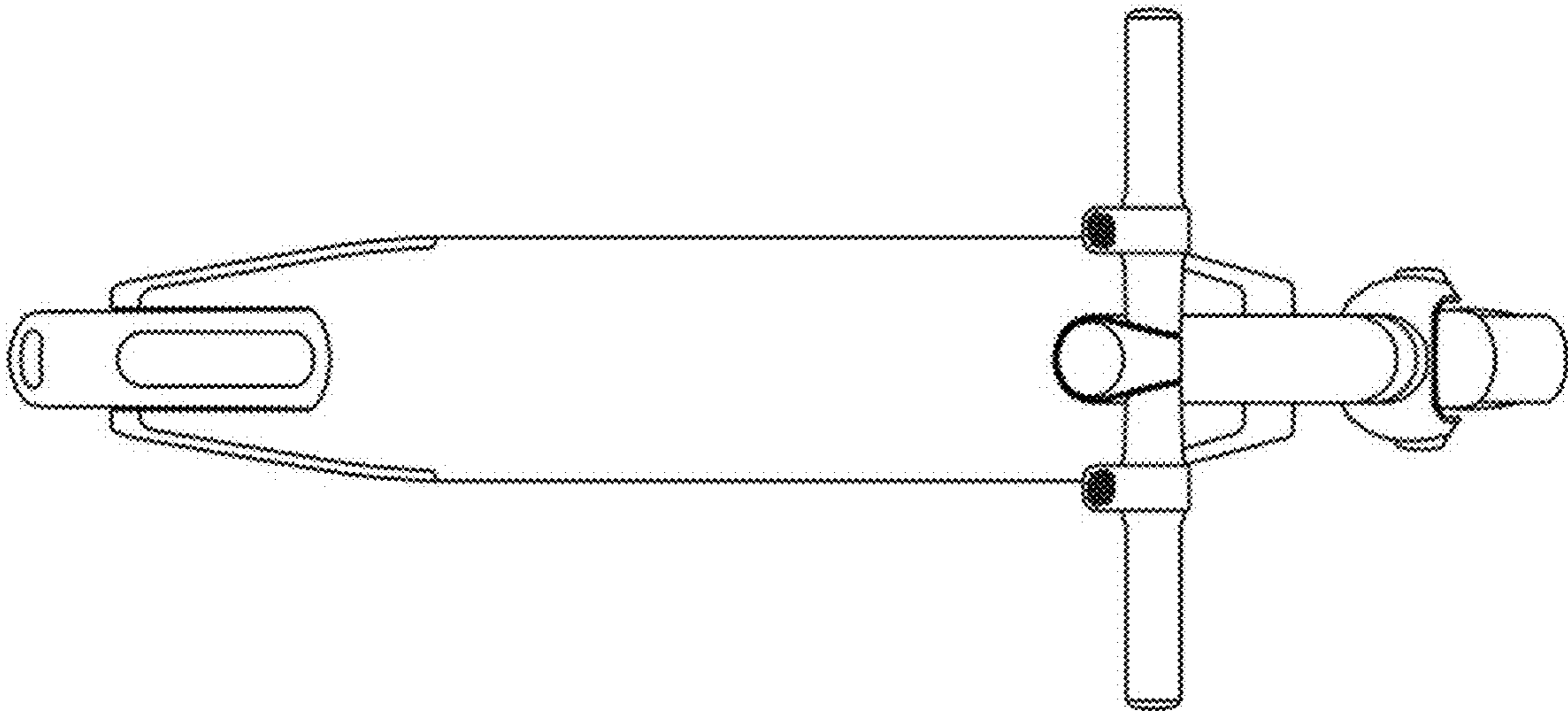
1.3



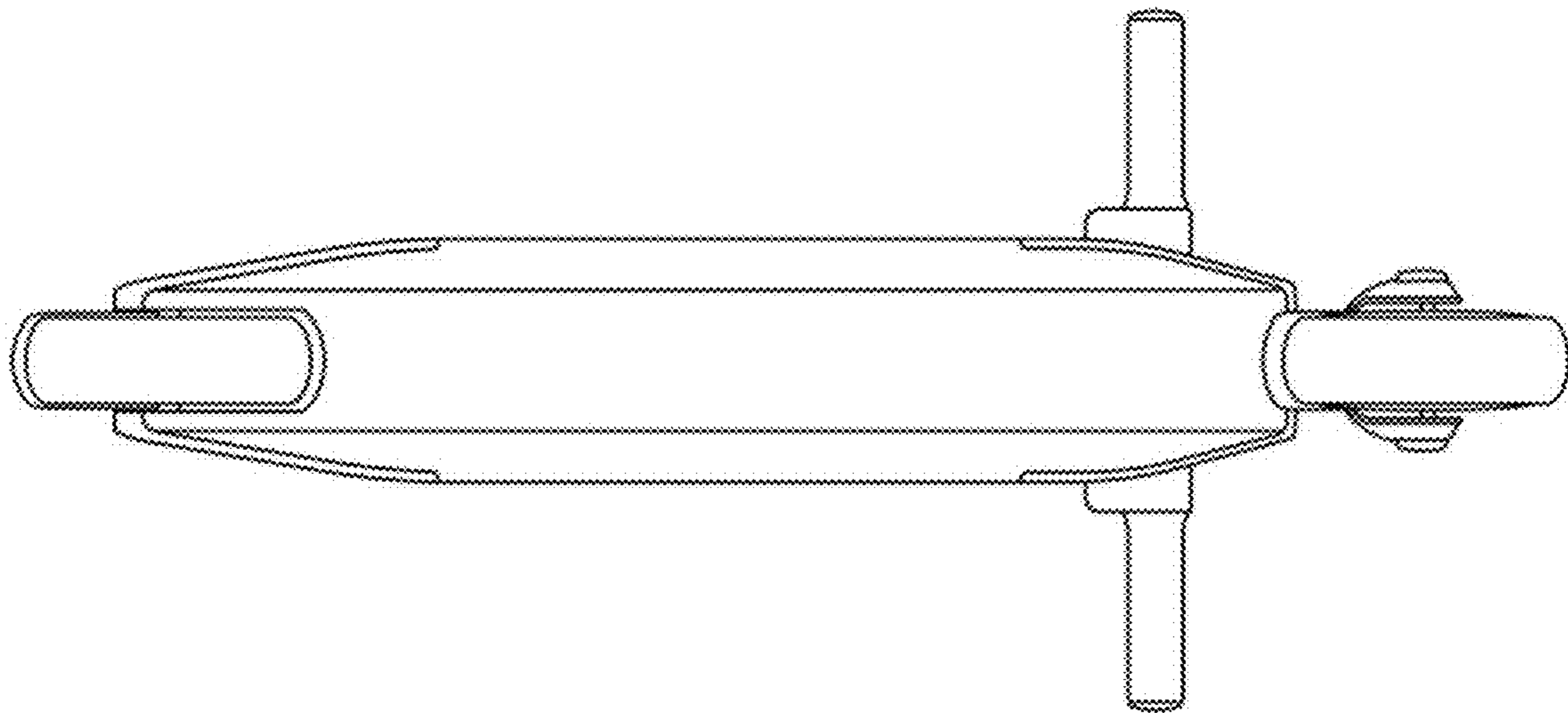
1.4



1.5

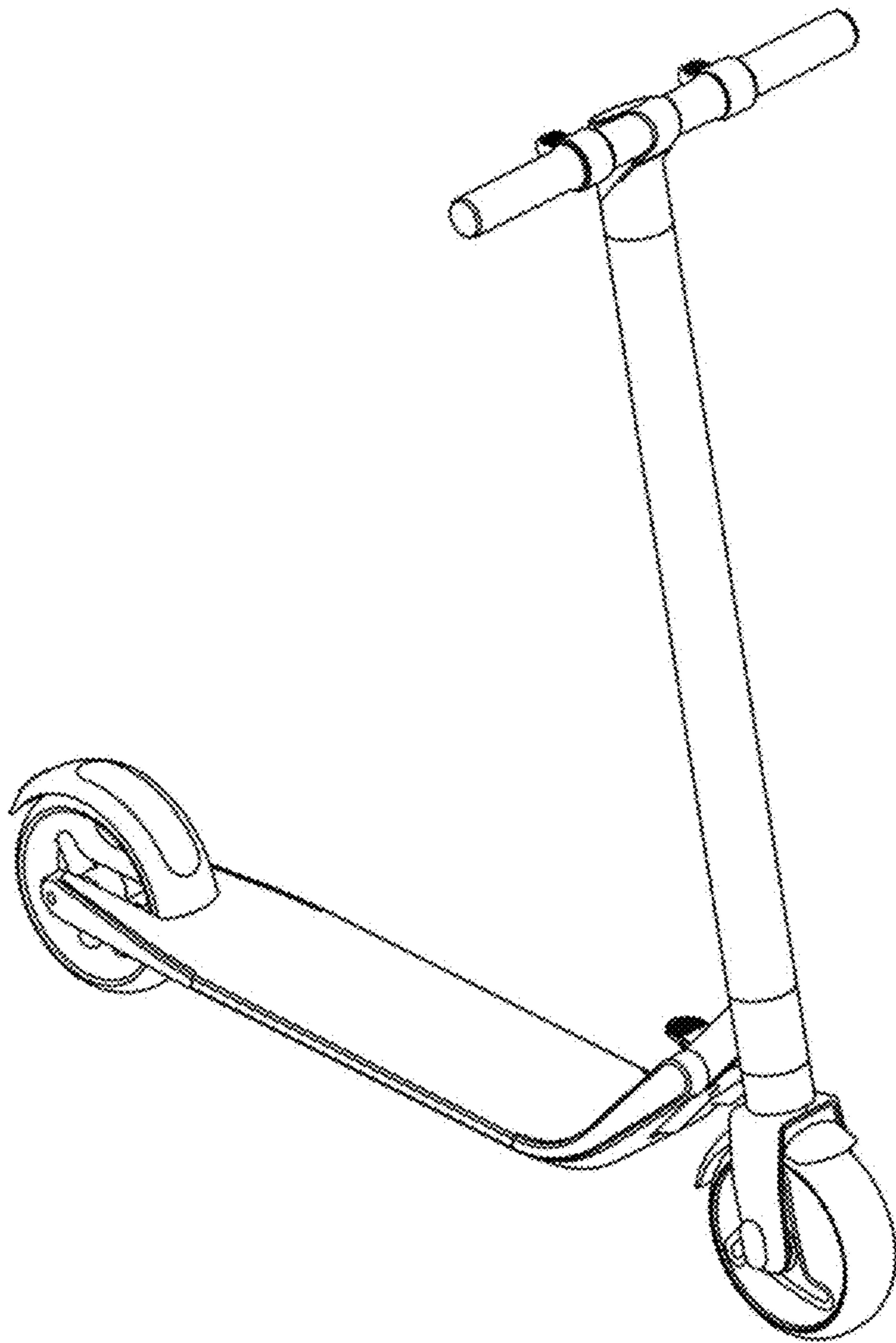


1.6

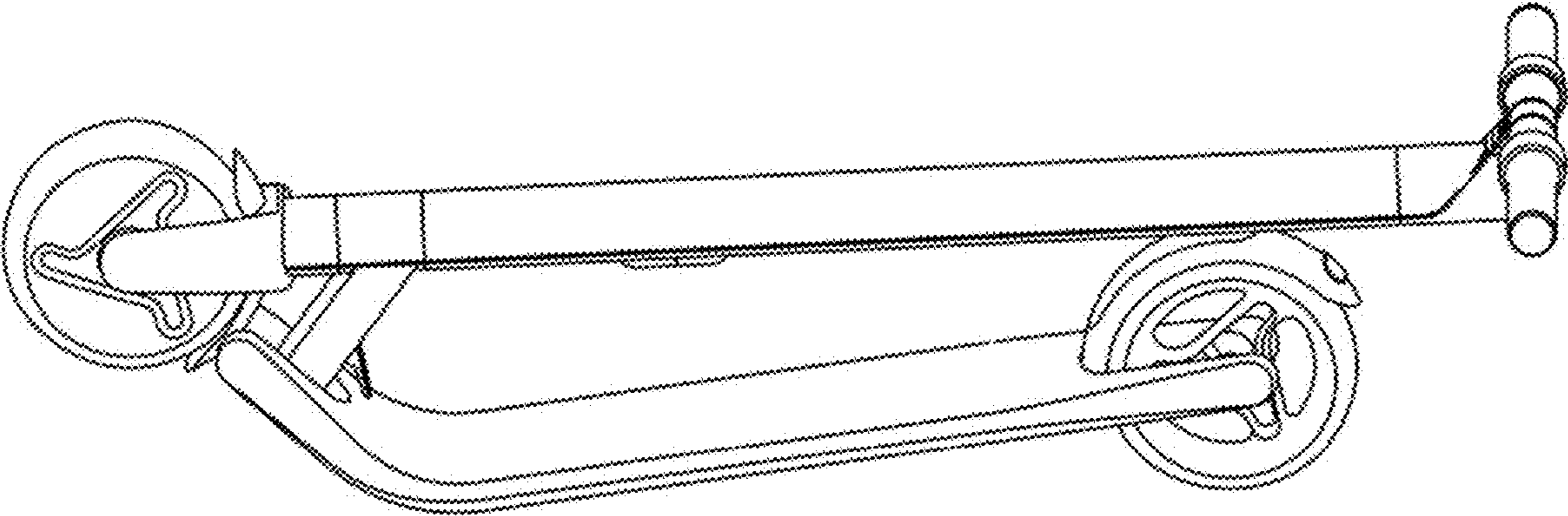




1.7



1.8



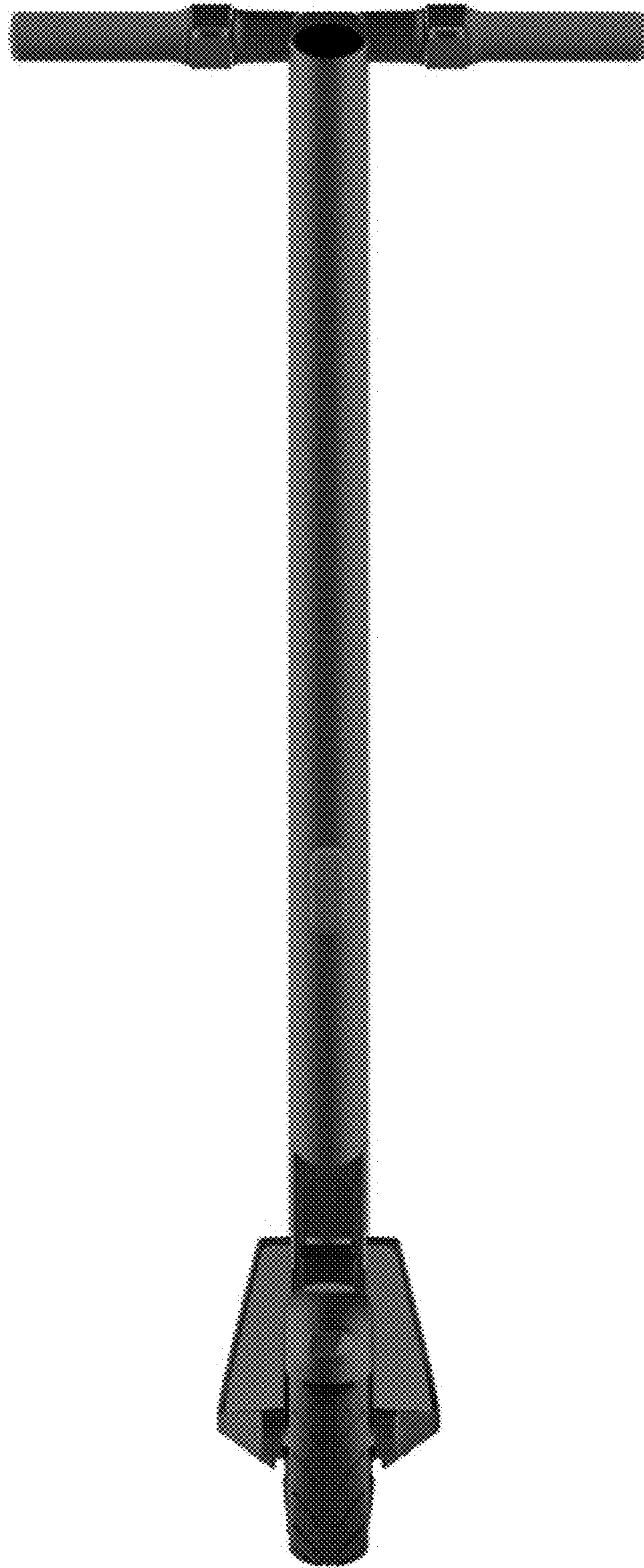
2.1



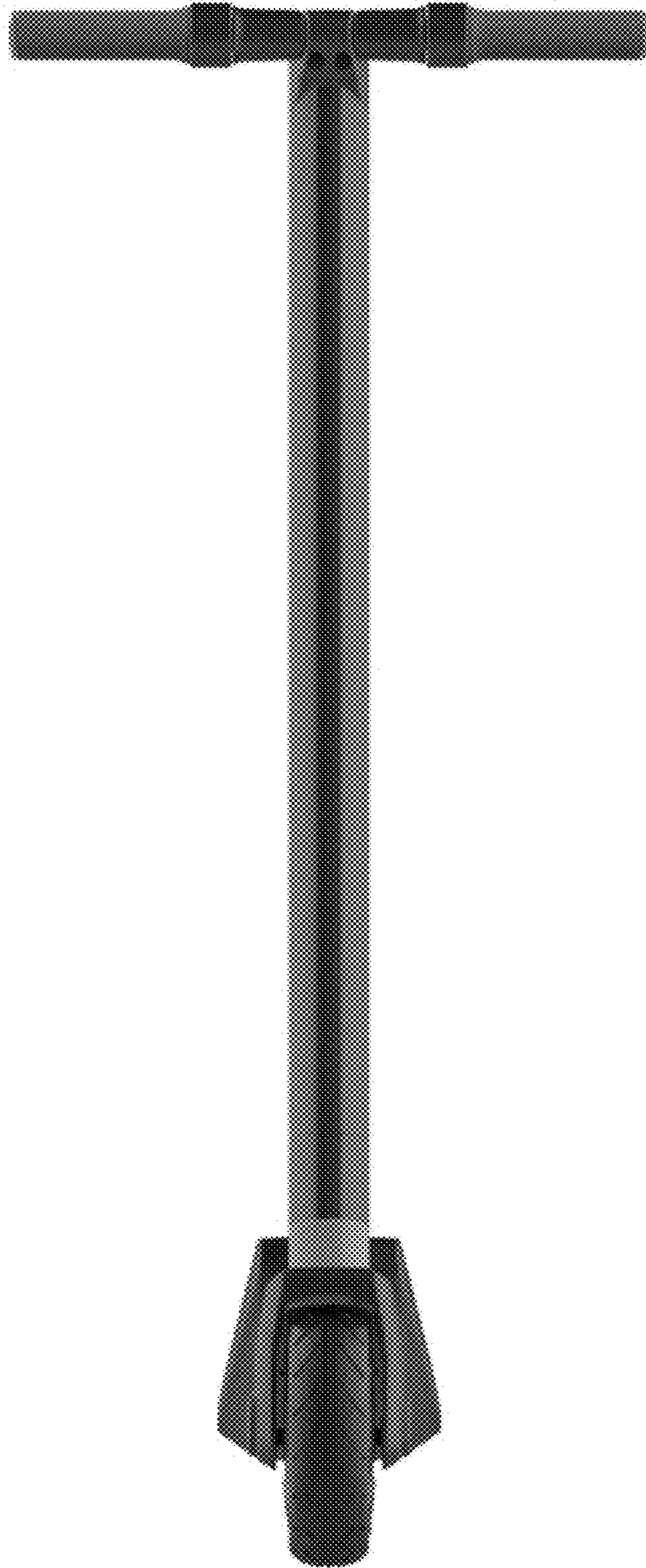
2.2



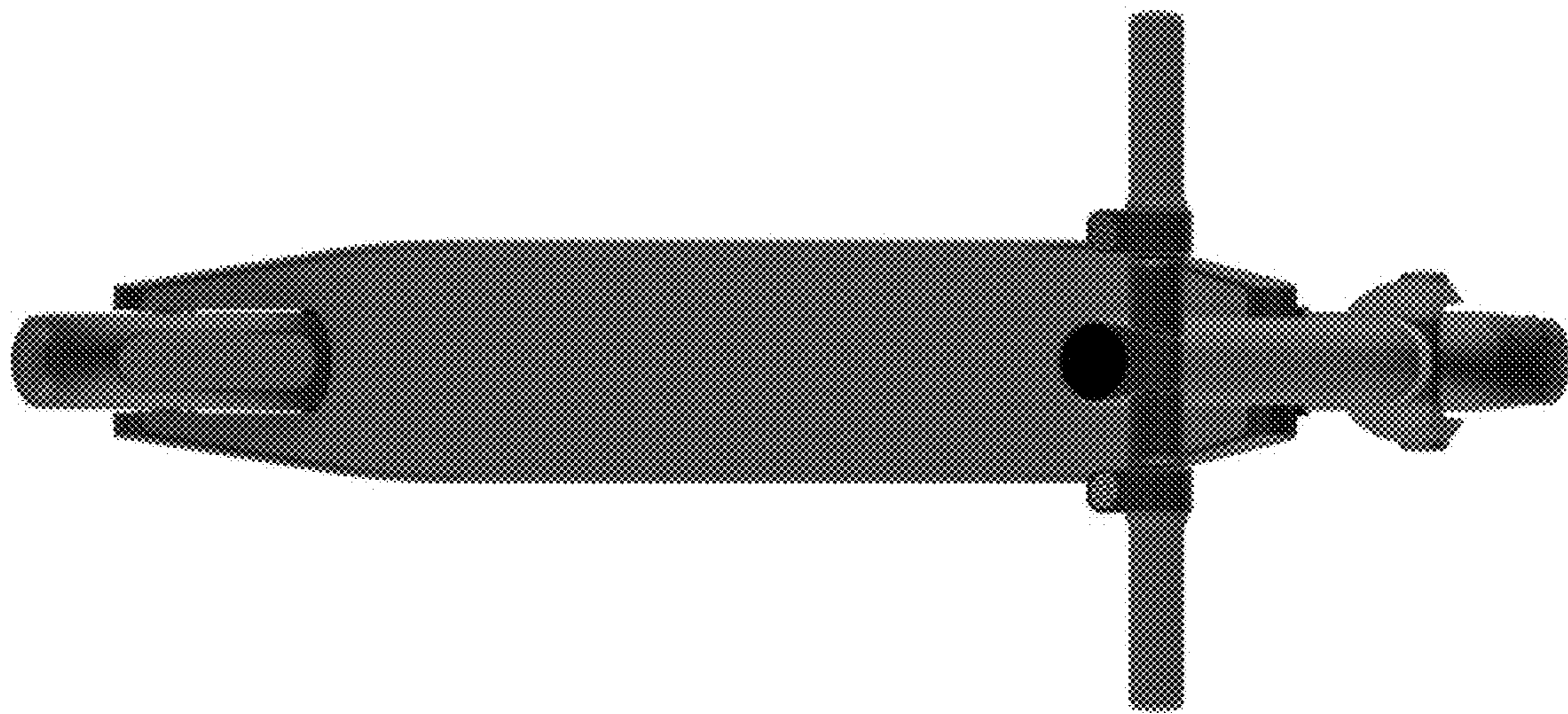
2.3



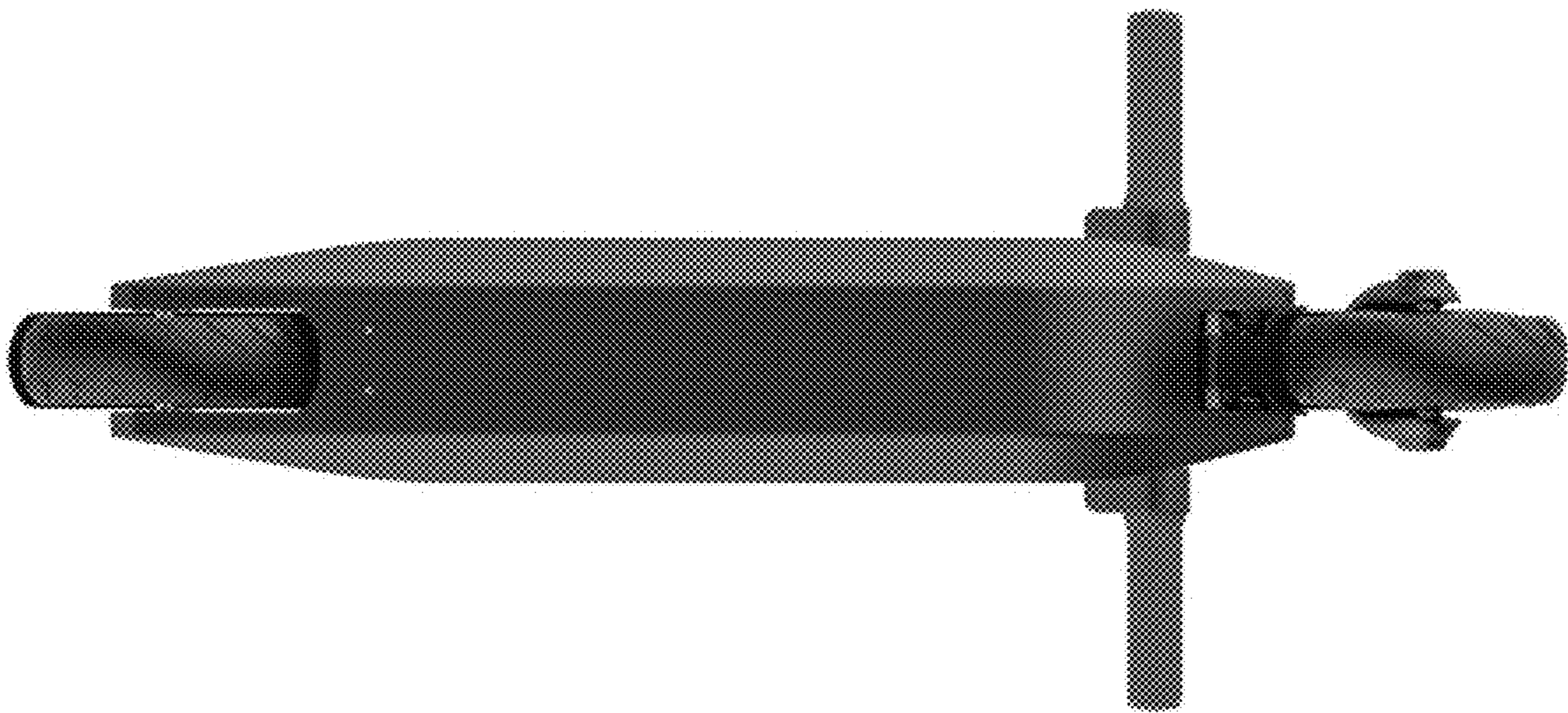
2.4



2.5



2.6

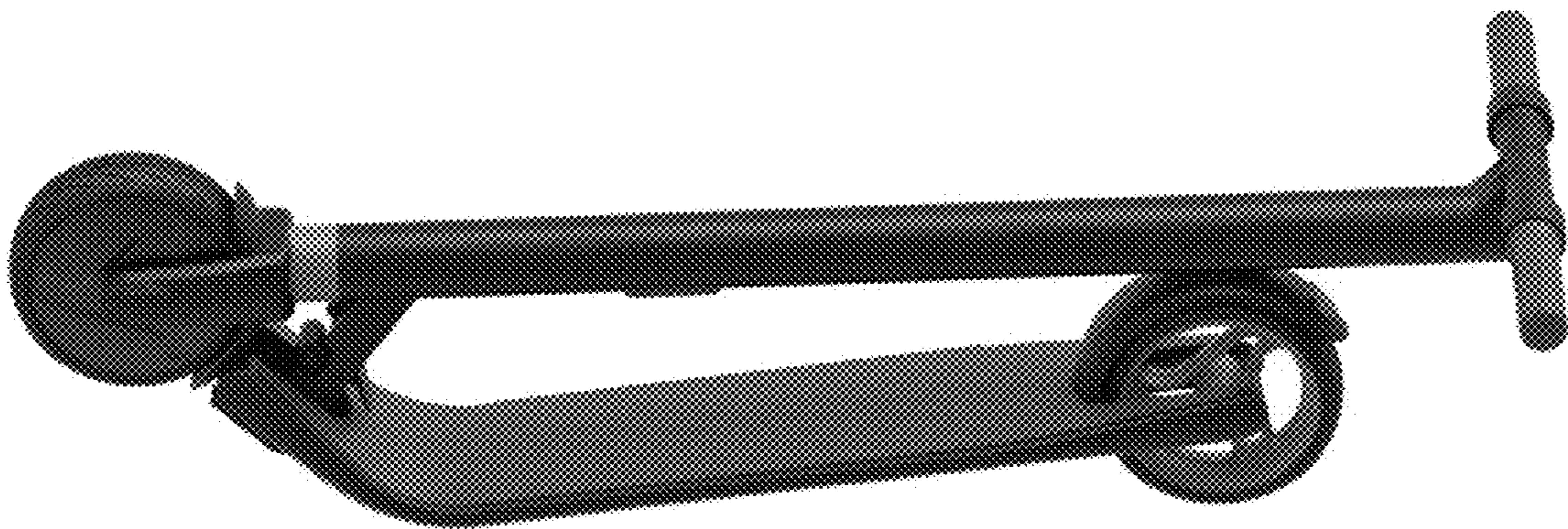




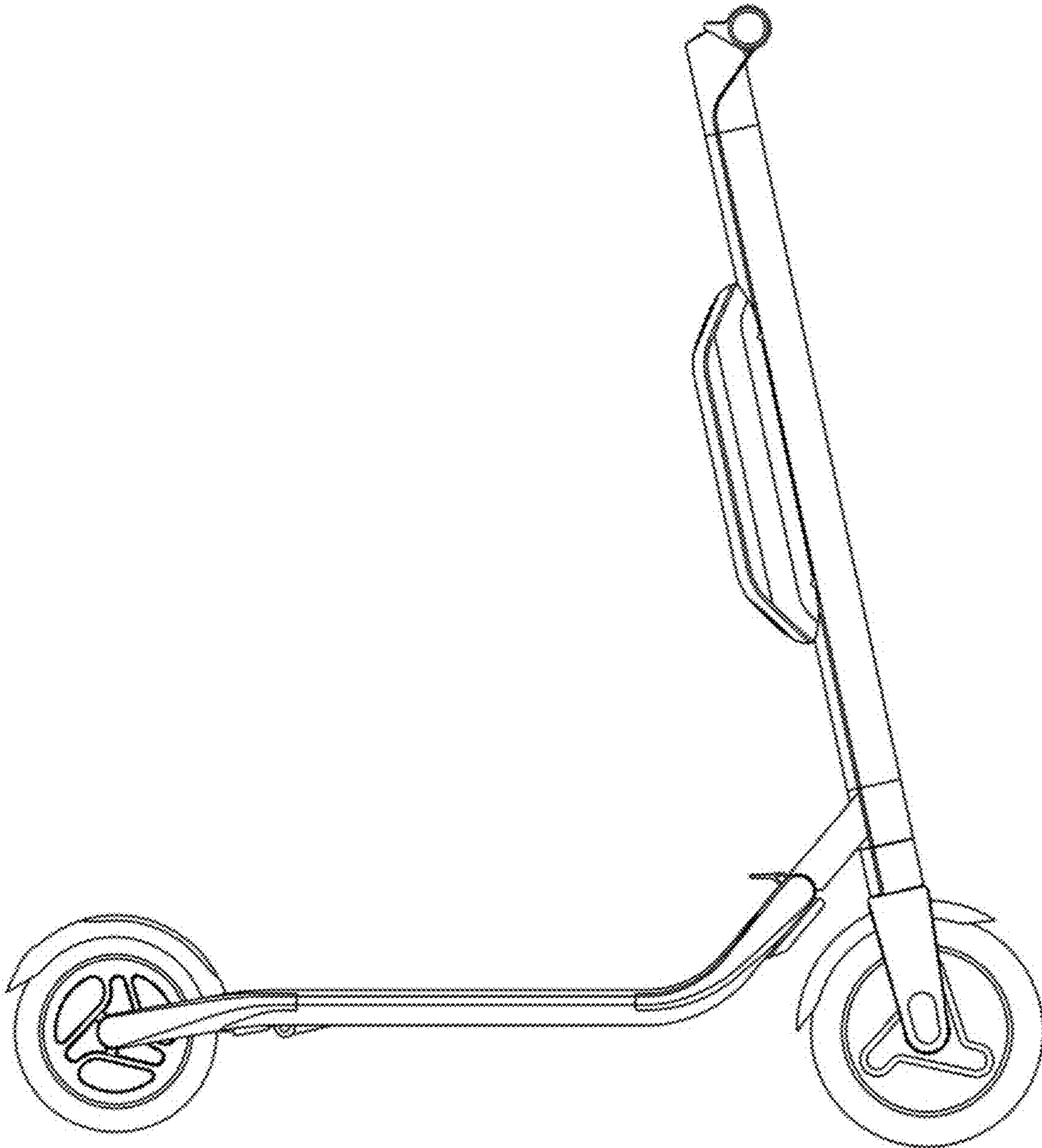
2.7



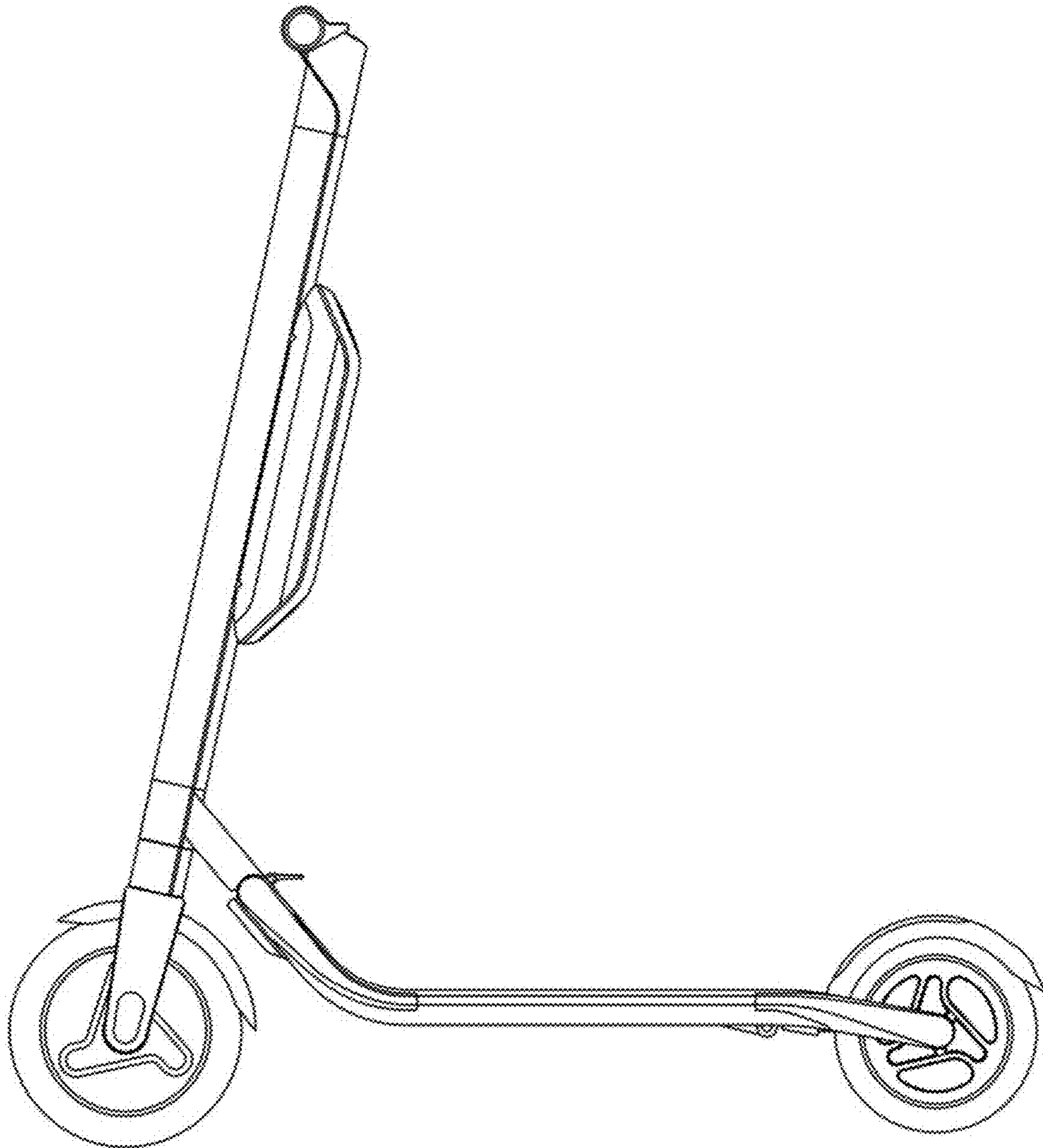
2.8



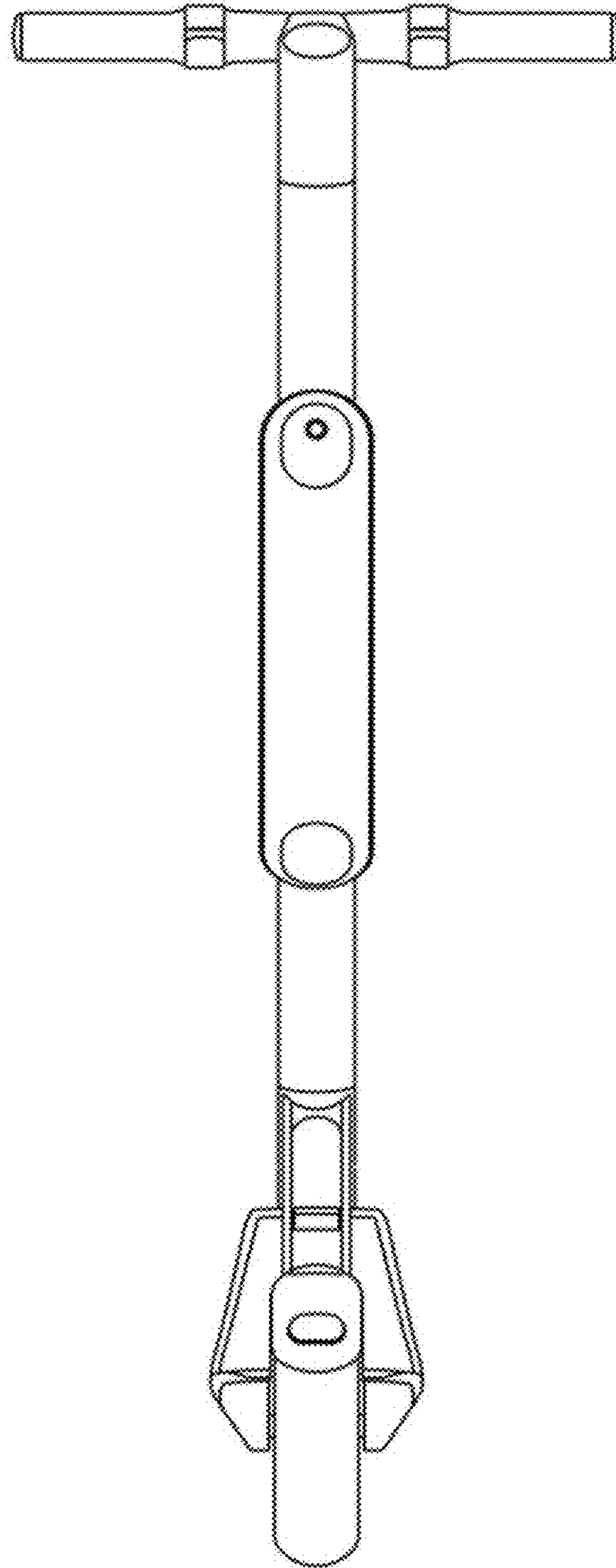
3.1



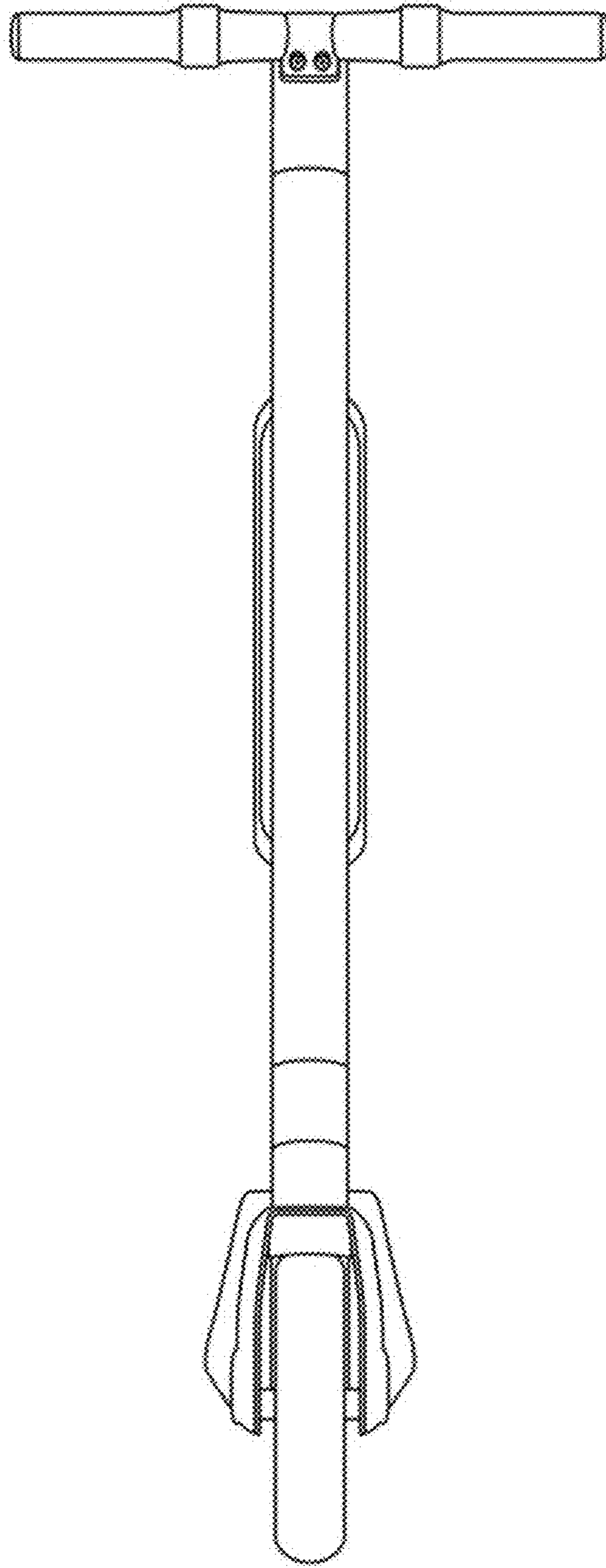
3.2



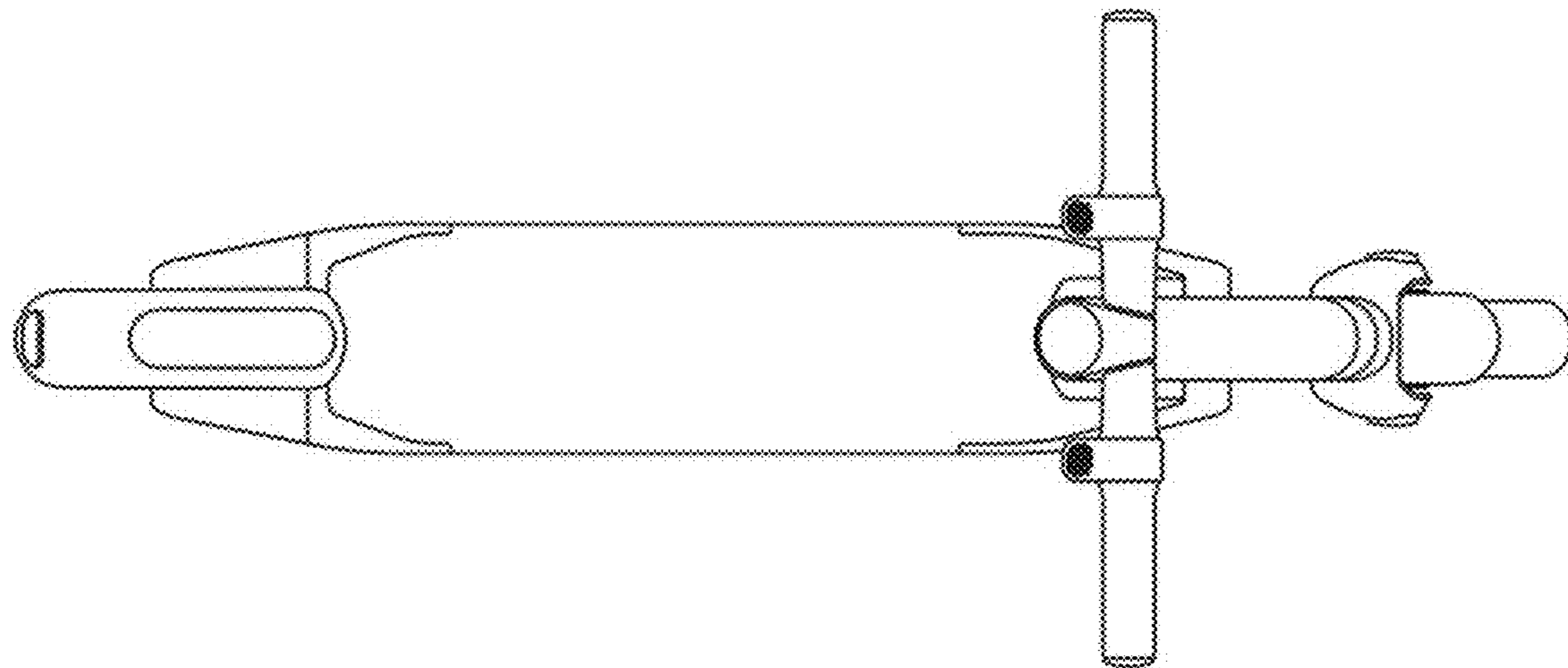
3.3



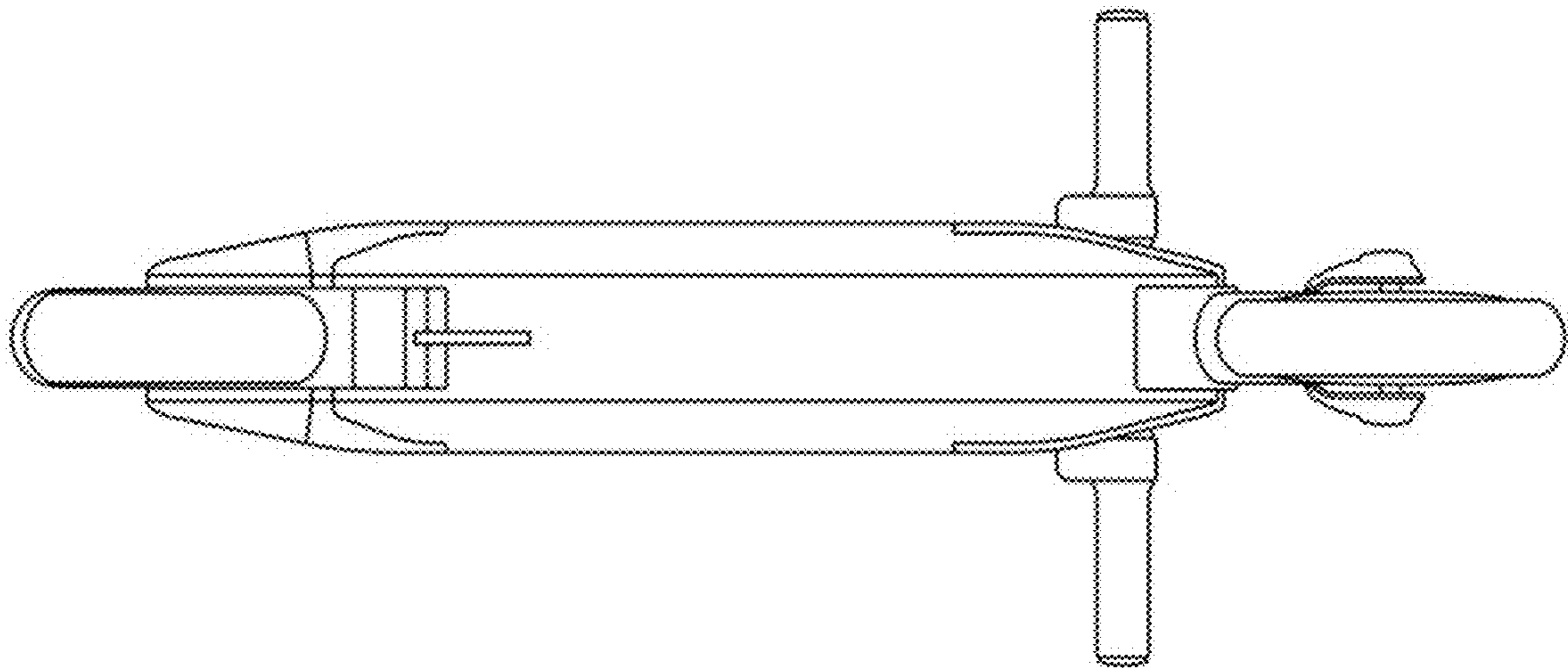
3.4



3.5

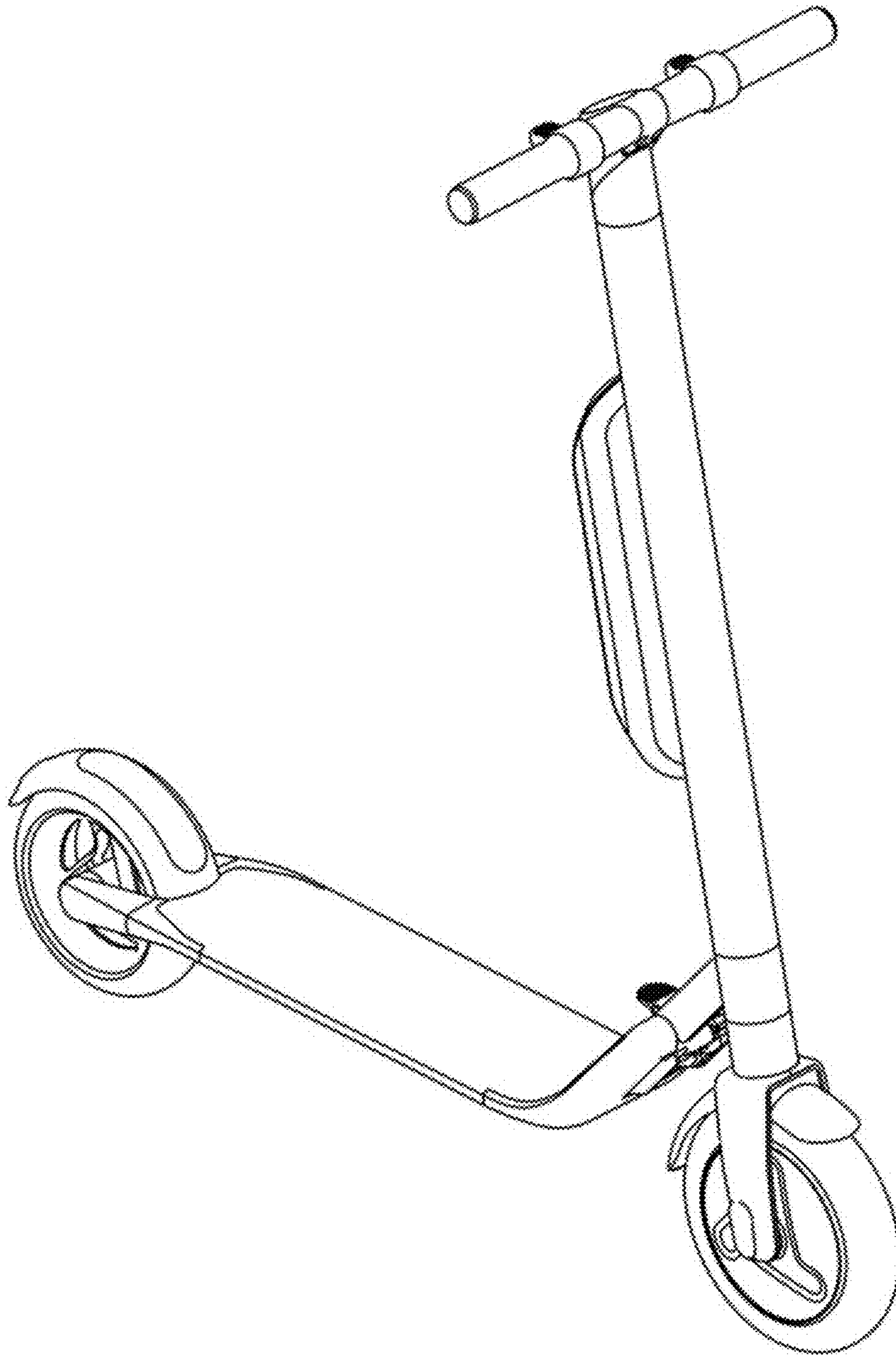


3.6

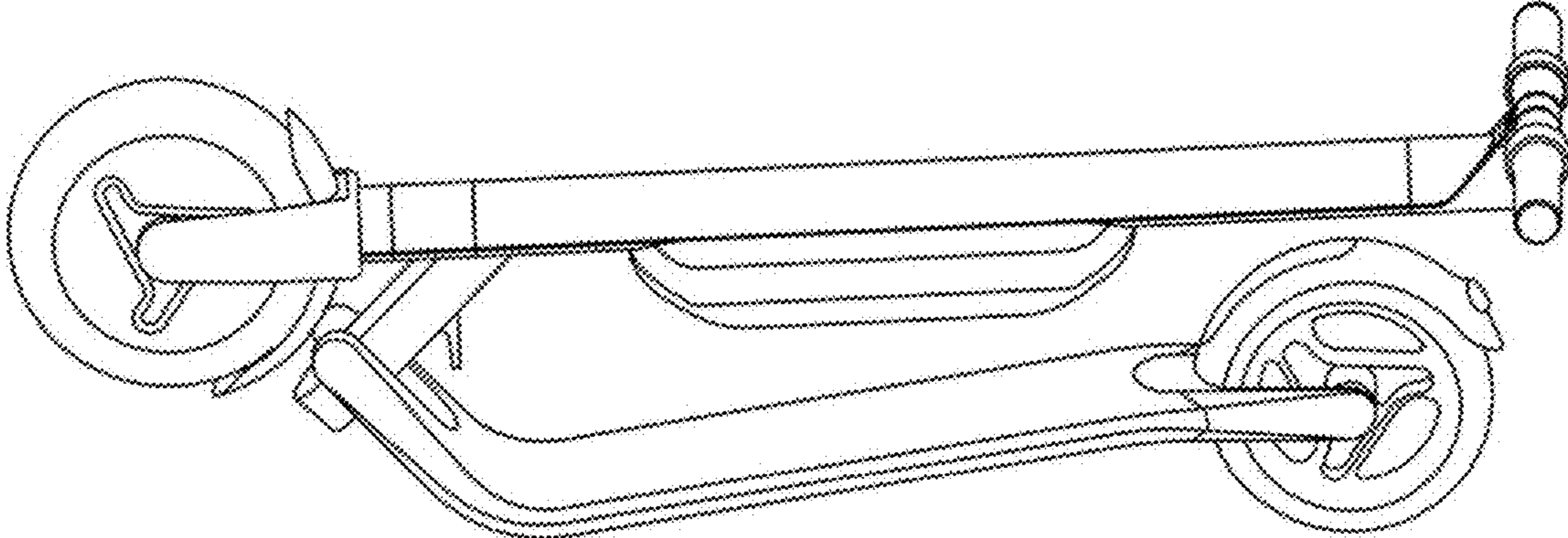




3.7



3.8



4.1



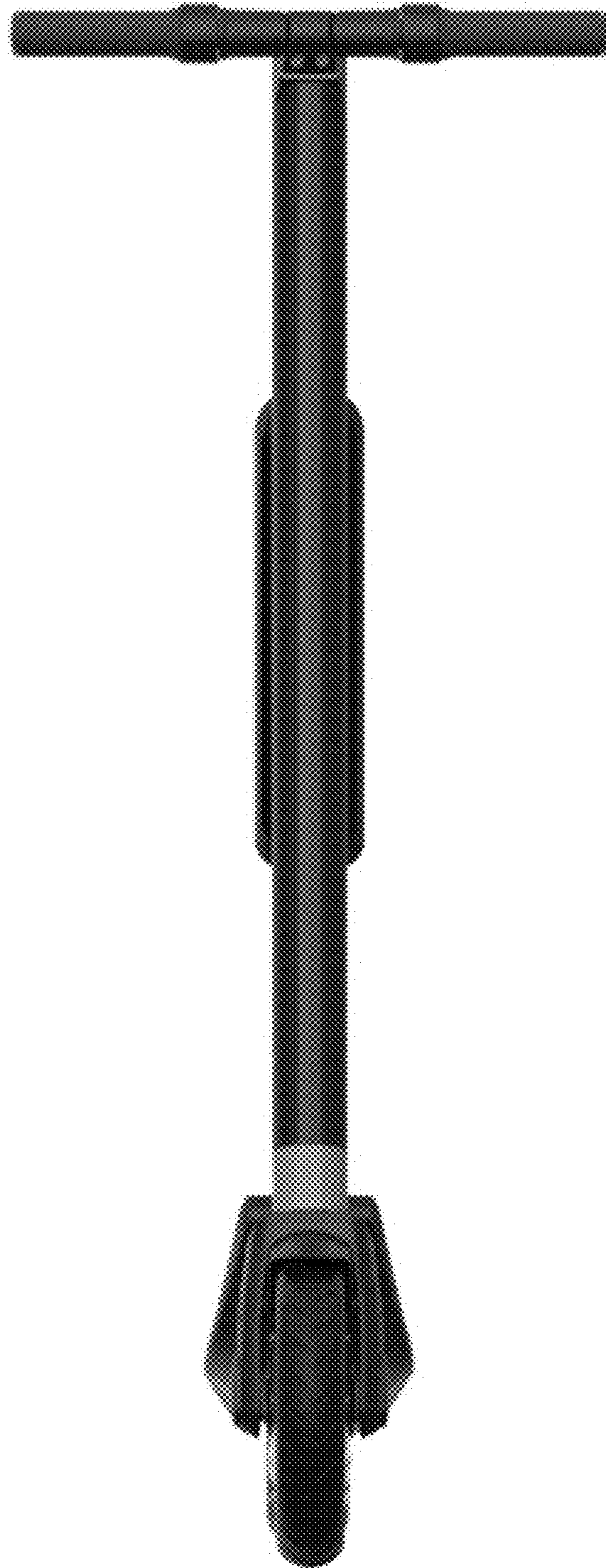
4.2



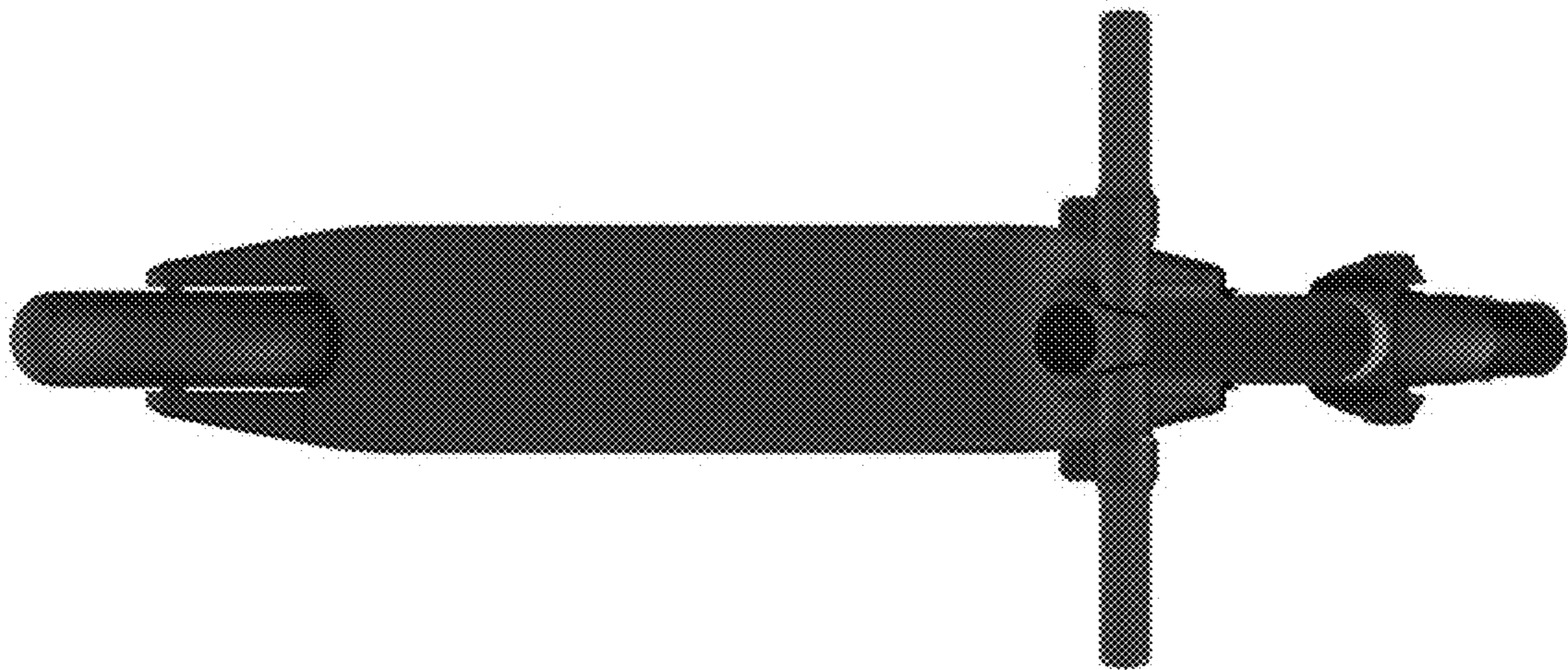
4.3



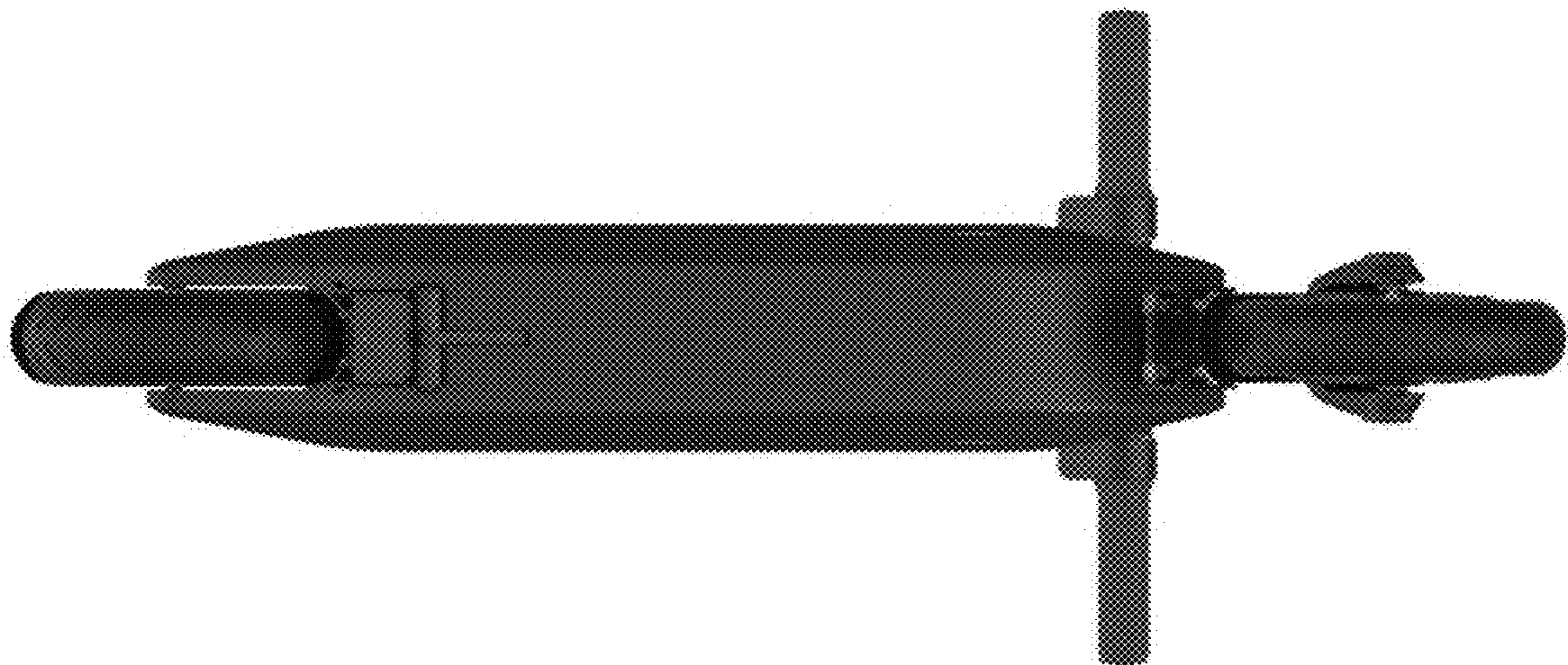
4.4



4.5



4.6





4.7



4.8

