



US00D829821S

(12) **United States Design Patent** (10) **Patent No.:** **US D829,821 S**
Xie (45) **Date of Patent:** **** Oct. 2, 2018**

(54) **PEN**
(71) Applicant: **Beifa Group Co., Ltd.**, Ningbo (CN)
(72) Inventor: **Jianzhe Xie**, Ningbo (CN)
(73) Assignee: **Beifa Group Co., Ltd.**, Ningbo (CN)
(**) Term: **15 Years**
(21) Appl. No.: **29/601,859**
(22) Filed: **Apr. 26, 2017**

D576,675 S * 9/2008 Kent D19/174
D580,493 S * 11/2008 Fei D19/171
D610,615 S * 2/2010 Li D19/173
D612,424 S * 3/2010 Suero, Jr. D19/164
D612,426 S * 3/2010 Suero, Jr. D19/166
D616,935 S * 6/2010 Zhang D19/166
D641,787 S * 7/2011 Tan D19/165
D647,961 S * 11/2011 Zhang D19/166
D648,386 S * 11/2011 Zhang D19/166
D661,736 S * 6/2012 Zhang D19/165
D662,983 S * 7/2012 Zhang D19/168
D685,026 S * 6/2013 Koo D19/166
D695,826 S * 12/2013 Xie D19/167
D810,822 S * 2/2018 Van Den Broecke D19/166

* cited by examiner

(30) **Foreign Application Priority Data**

Oct. 27, 2016 (CN) 2016 3 0529457

(51) **LOC (11) Cl.** **19-06**

(52) **U.S. Cl.**
USPC **D19/166; D19/913**

(58) **Field of Classification Search**
USPC D14/411; D19/115–204
CPC . B43K 5/005; B43K 7/12; B43K 8/04; B43K
8/06; B43K 19/00; B43K 19/02; B43K
19/14; B43K 21/006; B43K 21/06
See application file for complete search history.

(56) **References Cited**

U.S. PATENT DOCUMENTS

D188,972 S * 10/1960 Young D19/186
D279,993 S * 8/1985 Oka D19/170
D342,090 S * 12/1993 Anavil D19/172
D423,576 S * 4/2000 Stevens D19/166
D471,588 S * 3/2003 Hu D19/166
D544,034 S * 6/2007 Qiu D19/166
D547,802 S * 7/2007 Jeon D19/166
D549,775 S * 8/2007 Kent D19/166
D562,395 S * 2/2008 Qiu D19/168

Primary Examiner — Elizabeth Albert

(74) *Attorney, Agent, or Firm* — Seed Intellectual Property Law Group LLP

(57) **CLAIM**

The ornamental design for a pen, as shown and described.

DESCRIPTION

FIG. 1 is a tilted view of a pen rotated between a front and side elevation view showing my new design.

FIG. 2 is a front elevation view thereof.

FIG. 3 is a rear elevation view thereof.

FIG. 4 is a left side elevation view thereof, with the right side elevation view being a mirror image of the left side elevation view.

FIG. 5 is a top plan view thereof.

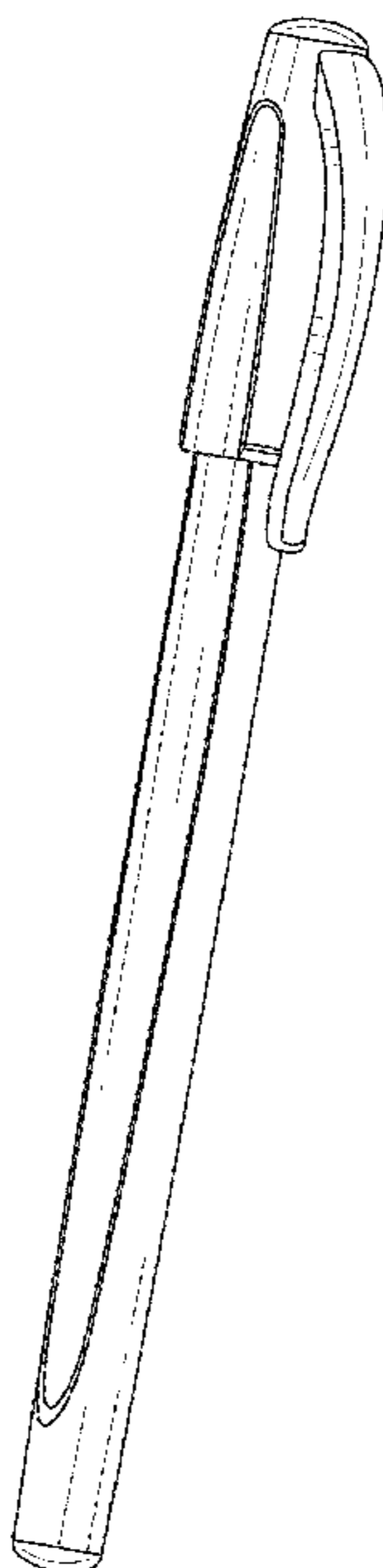
FIG. 6 is a bottom plan view thereof.

FIG. 7 is an enlarged top plan view thereof; and,

FIG. 8 is an enlarged bottom plan view thereof.

The broken lines in the figures illustrate environment only and form no part of the claimed design.

1 Claim, 3 Drawing Sheets



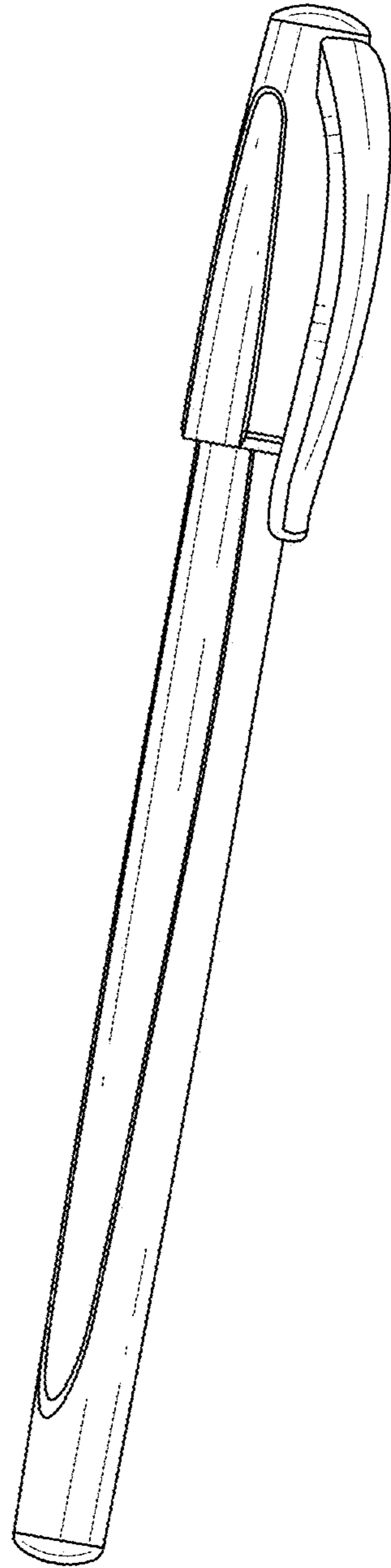


Fig. 1.

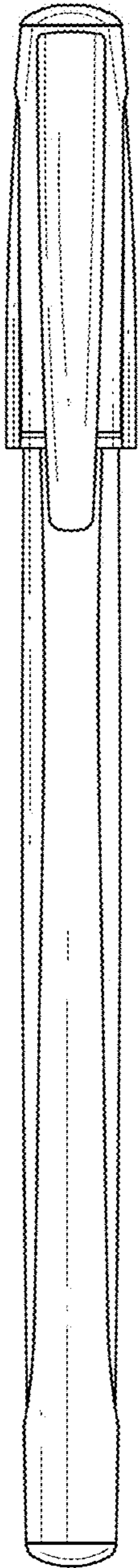


Fig. 2.

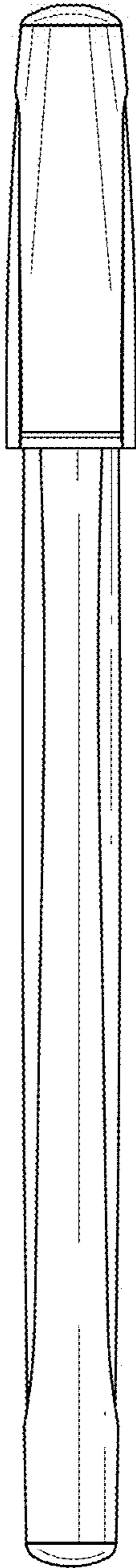


Fig. 3.

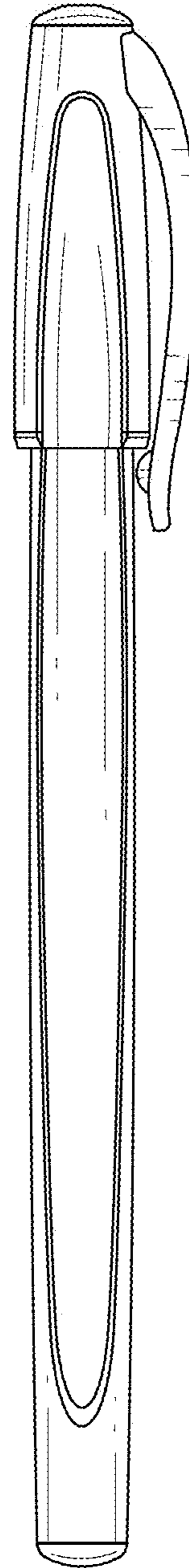


Fig. 4.

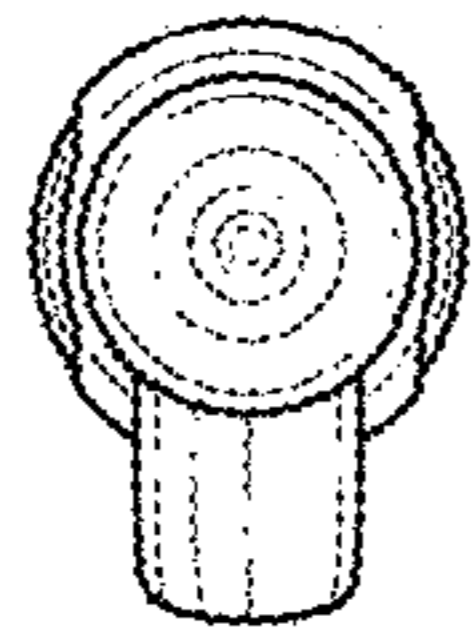


Fig. 5.

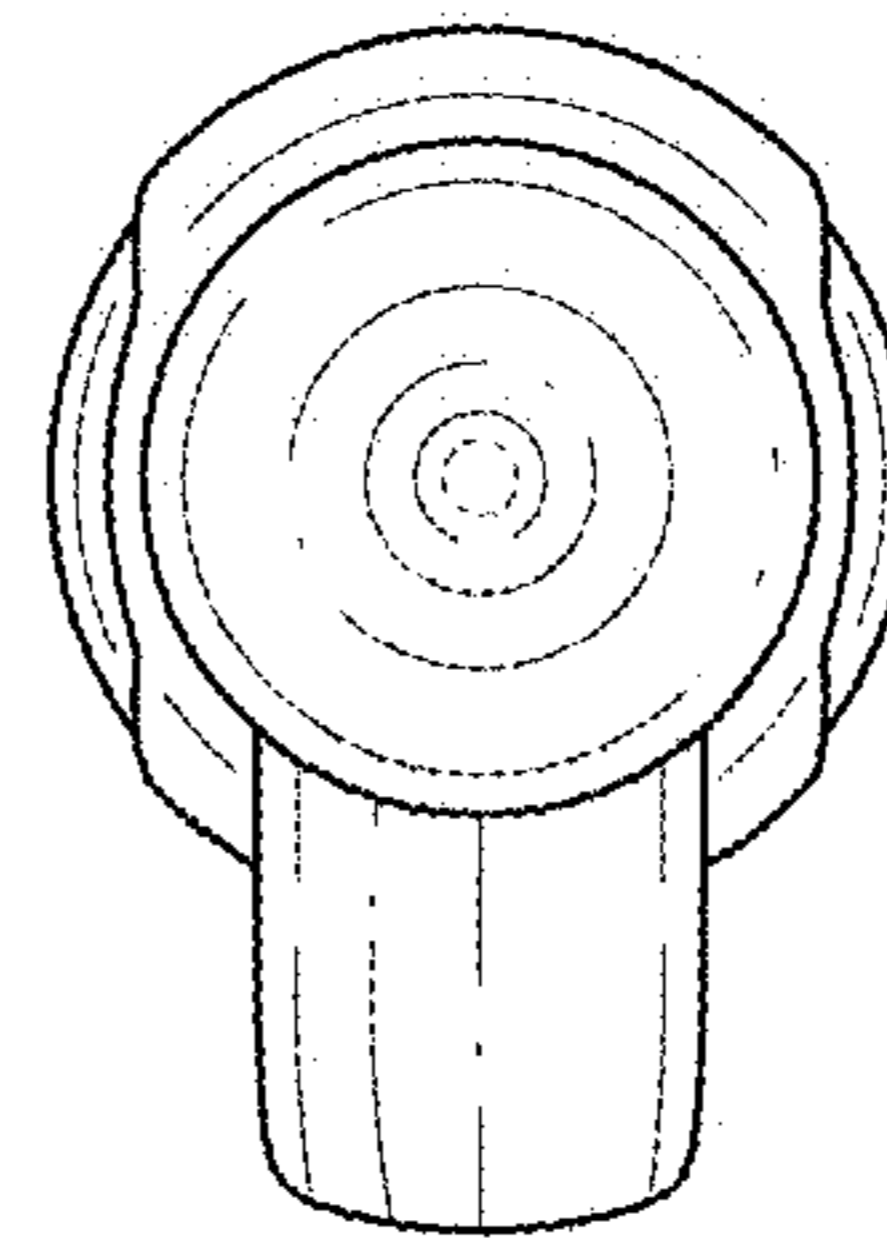


Fig. 7.

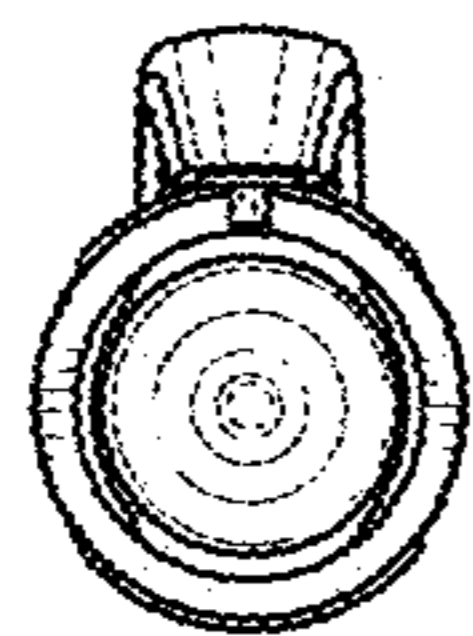


Fig. 6.

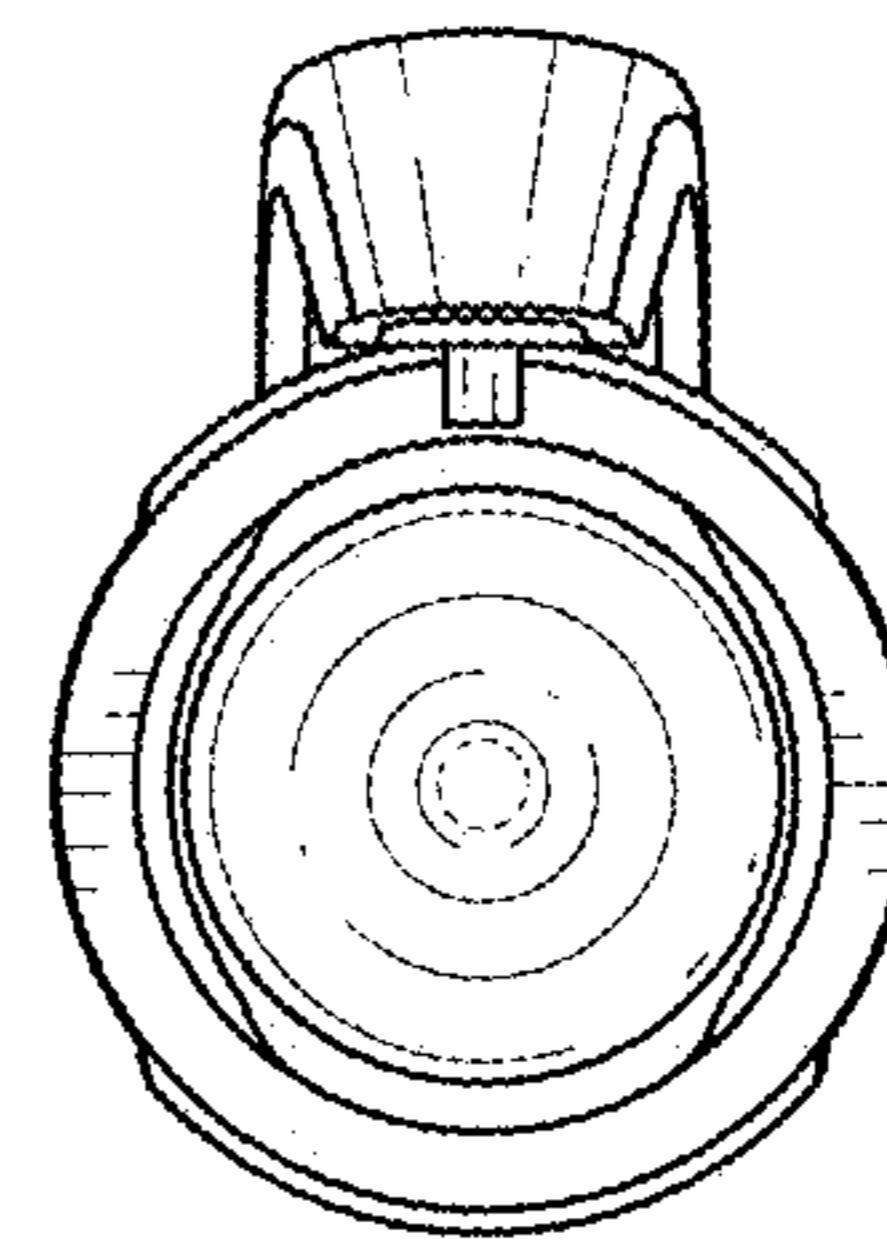


Fig. 8.