



US00D829820S

(12) **United States Design Patent**  
**Bohrer et al.**

(10) **Patent No.:** **US D829,820 S**  
(45) **Date of Patent:** **\*\* Oct. 2, 2018**

- (54) **FOUNTAIN PEN**
- (71) Applicant: **stilform GmbH**, Munich (DE)
- (72) Inventors: **Christoph Bohrer**, Munich (DE);  
**Martin Wagner**, Munich (DE)
- (73) Assignee: **stilform GmbH**, Munich (DE)
- (\*\*) Term: **15 Years**
- (21) Appl. No.: **29/657,890**
- (22) Filed: **Jul. 26, 2018**
- (51) **LOC (11) Cl.** ..... **19-06**
- (52) **U.S. Cl.**  
USPC ..... **D19/163; D19/917**
- (58) **Field of Classification Search**  
USPC ..... **D14/411; D19/115-204**  
CPC . **B43K 5/005; B43K 7/12; B43K 8/04; B43K 8/06; B43K 19/00; B43K 19/02; B43K 19/14; B43K 21/006; B43K 21/06**  
See application file for complete search history.

- (56) **References Cited**  
U.S. PATENT DOCUMENTS  
  
554,189 A \* 2/1896 Kochendarfer ..... B43K 1/086  
401/214  
1,244,974 A \* 10/1917 Gerdom ..... B43K 1/08  
401/216  
1,342,512 A \* 6/1920 Skinderviken ..... A24F 13/18  
206/270  
1,459,517 A 6/1923 Sawyer  
1,490,231 A \* 4/1924 Poole ..... B43K 25/022  
24/11 M  
  
1,909,194 A 5/1933 Joseph  
2,105,600 A 1/1938 Johndohl et al.  
D137,496 S \* 3/1944 Lustig ..... 206/537  
2,457,217 A \* 12/1948 Ernst ..... B43K 27/08  
401/172  
D157,471 S \* 2/1950 Doux ..... D19/163

2,575,431 A \* 11/1951 Smith ..... A01N 1/00  
132/318  
2,646,777 A \* 7/1953 Zarur ..... B43K 5/06  
401/177

(Continued)

**FOREIGN PATENT DOCUMENTS**

EM 005254331-0002 \* 5/2018

**OTHER PUBLICATIONS**

Stilform GmbH, "Kosmos ink—Magnetic Fountain Pen", published May 22, 2018, retrieved from <https://www.kickstarter.com/projects/stilform/kosmos-ink/description> on Jul. 23, 2018.

(Continued)

*Primary Examiner* — Elizabeth A. Albert  
(74) *Attorney, Agent, or Firm* — Smartpat PLC

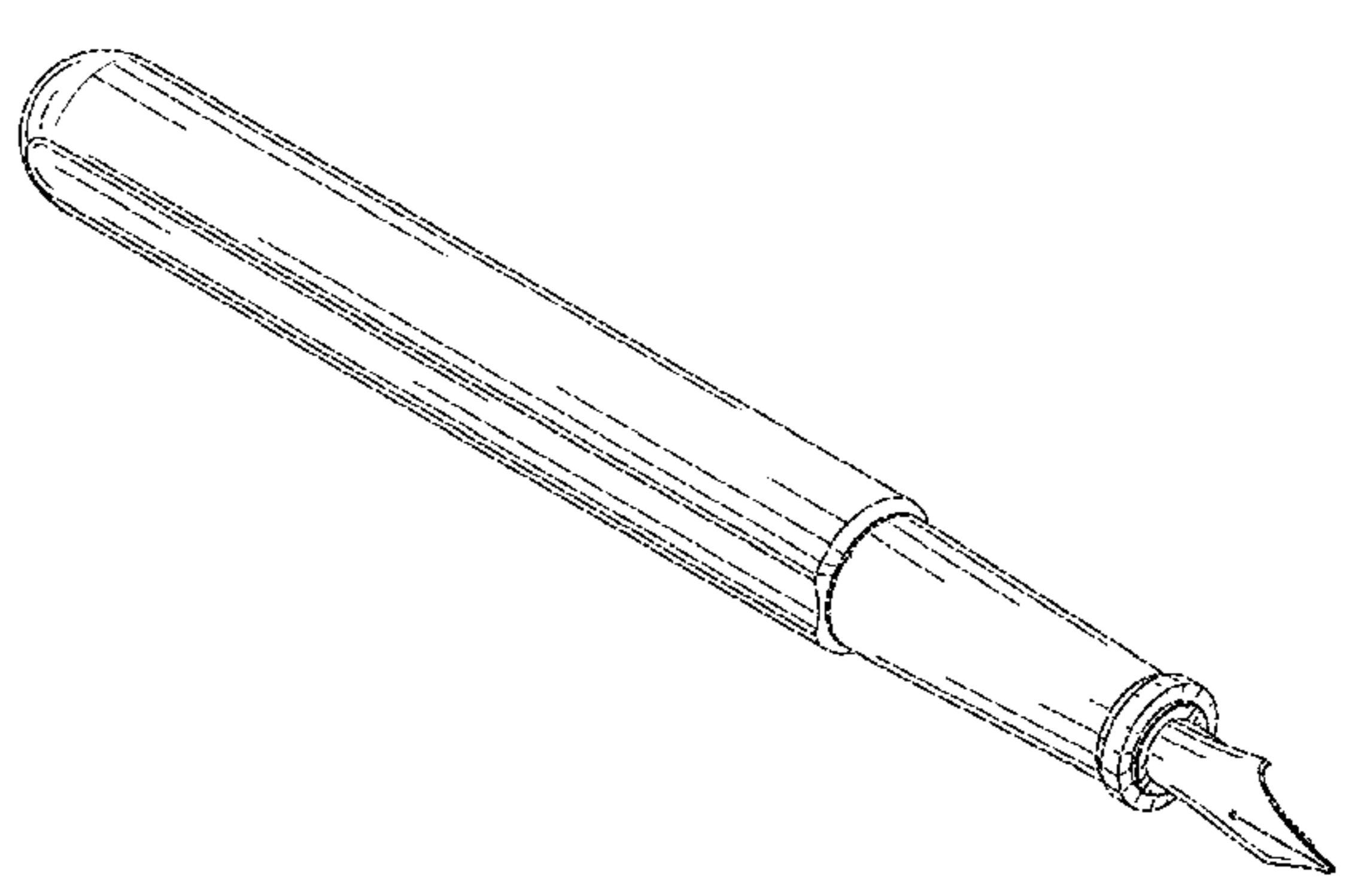
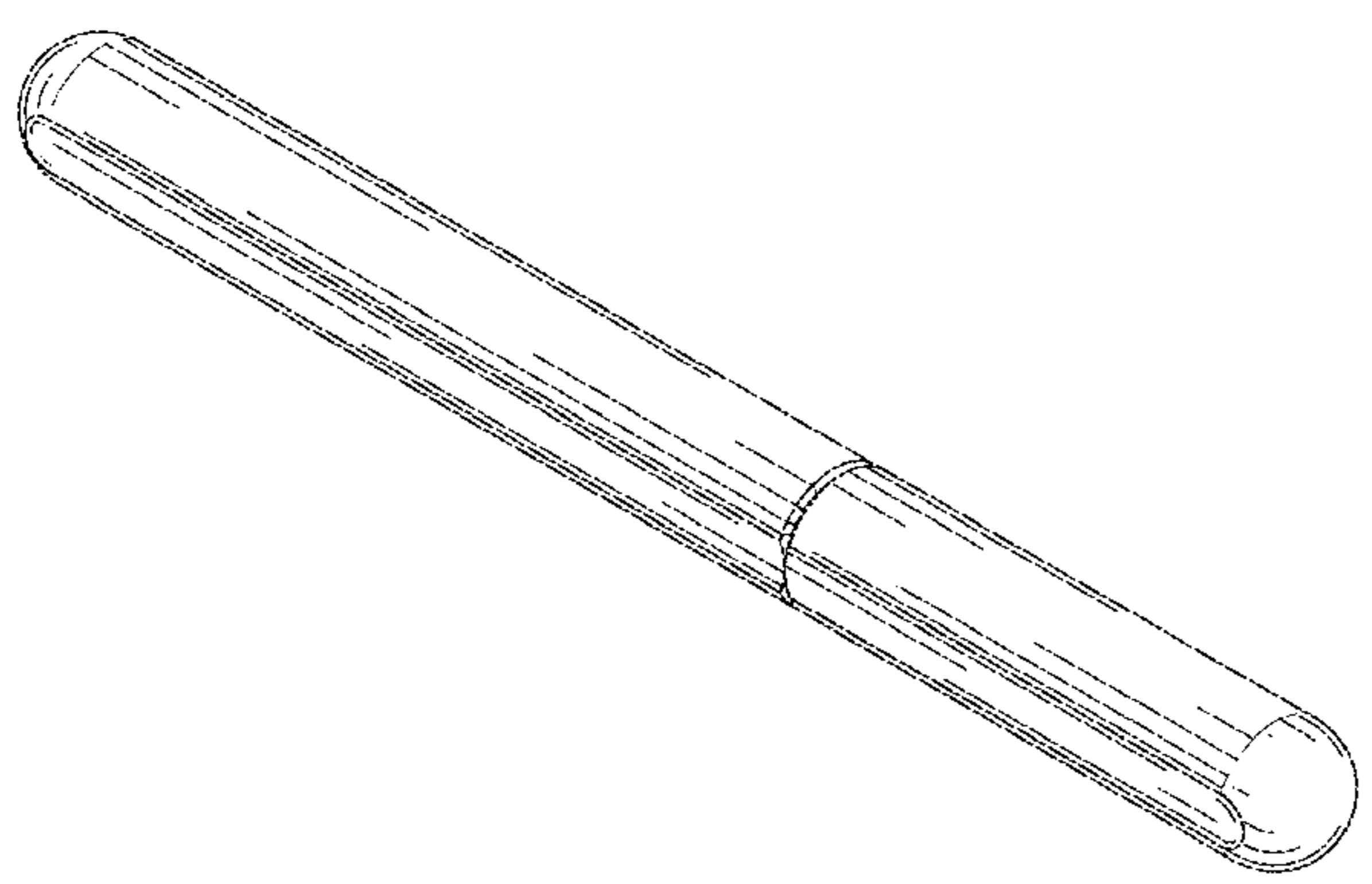
(57) **CLAIM**

We claim the ornamental design for a fountain pen, as shown and described.

**DESCRIPTION**

FIG. 1 is a font, top, right side perspective view of a fountain pen showing our new design with a cap;  
 FIG. 2 is a front view thereof;  
 FIG. 3 is a top view thereof;  
 FIG. 4 is a rear view thereof;  
 FIG. 5 is a bottom view thereof;  
 FIG. 6 is a left side view thereof;  
 FIG. 7 is a right side view thereof;  
 FIG. 8 is a font, top, right side perspective view showing the fountain pen without the cap;  
 FIG. 9 is a front view thereof;  
 FIG. 10 is a top view thereof;  
 FIG. 11 is a rear view thereof;  
 FIG. 12 is a bottom view thereof;  
 FIG. 13 is a left side view thereof; and,  
 FIG. 14 is a right side view thereof.

**1 Claim, 2 Drawing Sheets**



(56)

References Cited

U.S. PATENT DOCUMENTS

D183,696 S \* 10/1958 Kahn ..... D19/168  
 2,868,171 A \* 1/1959 Watanabe ..... B43K 5/18  
 401/238  
 D254,315 S \* 2/1980 Carre ..... D19/164  
 D260,101 S 8/1981 Gomez  
 D261,009 S \* 9/1981 Gomez ..... D19/168  
 D261,531 S \* 10/1981 Delcroix ..... D19/169  
 D262,606 S \* 1/1982 Kaufmann ..... D9/521  
 4,308,879 A \* 1/1982 Thornbloom ..... A45D 40/18  
 132/317  
 D263,482 S \* 3/1982 Carre ..... D19/168  
 D266,258 S 9/1982 Lockwood et al.  
 D282,672 S 2/1986 Leblanc et al.  
 D327,912 S \* 7/1992 Tsai ..... D19/163  
 D329,461 S \* 9/1992 Katami ..... D19/168  
 D377,193 S \* 1/1997 Takemura ..... D19/135  
 5,676,480 A \* 10/1997 Tosto ..... A45D 19/02  
 132/108  
 D409,241 S \* 5/1999 Melnick ..... D19/164  
 D416,042 S \* 11/1999 Burkhardt, Jr. .... D19/179  
 D465,240 S 11/2002 Jones  
 D532,044 S 11/2006 Katami  
 D545,898 S \* 7/2007 Iwasaki ..... D19/163  
 D553,190 S 10/2007 Qiu  
 D568,935 S \* 5/2008 Qiu ..... D19/163  
 D587,311 S 2/2009 Zhang  
 D611,988 S \* 3/2010 Huff ..... D19/170  
 D633,560 S \* 3/2011 Clivio ..... D19/167  
 D641,043 S 7/2011 Renner et al.  
 D647,563 S 10/2011 Chu

D647,961 S \* 11/2011 Zhang ..... D19/166  
 D647,967 S 11/2011 Takanashi  
 D650,011 S 12/2011 Patascher  
 D669,127 S \* 10/2012 Chen ..... D19/169  
 D681,113 S 4/2013 Huang  
 D682,936 S \* 5/2013 Larson ..... D19/169  
 D685,430 S 7/2013 Zhang  
 D715,298 S \* 10/2014 Hong ..... D14/411  
 D728,690 S 5/2015 Jewson  
 D729,874 S \* 5/2015 Larson ..... D19/169  
 D732,111 S \* 6/2015 Li ..... D19/164  
 D774,139 S \* 12/2016 Newson ..... D19/164  
 D781,293 S \* 3/2017 Mitchell ..... D14/411  
 D802,592 S \* 11/2017 Varghese ..... D14/411  
 D819,130 S \* 5/2018 Van Den Broecke ..... D19/169  
 D823,944 S \* 7/2018 Bohrer ..... D19/179

OTHER PUBLICATIONS

Stilform GmbH, "Update #17 for backers only. Kosmos ink (exclusive sneak-peek)", published Mar. 27, 2018, retrieved from <https://www.kickstarter.com/projects/stilform/kosmos-titan/posts/2138219> on Jul. 26, 2018.  
 Stilform GmbH, "Update #18, Our New Magnetic Fountain Pen: Launch next Tuesday, May 22!", published May 18, 2018, retrieved from <https://www.kickstarter.com/projects/stilform/kosmos-titan/posts/2159453> on Jul. 23, 2018.  
 Stilform GmbH, Video showing a fountain pen, published Apr. 11, 2018, screenshot retrieved from <https://www.facebook.com/stilform.design/videos/965117580328117> on Jul. 23, 2018.

\* cited by examiner

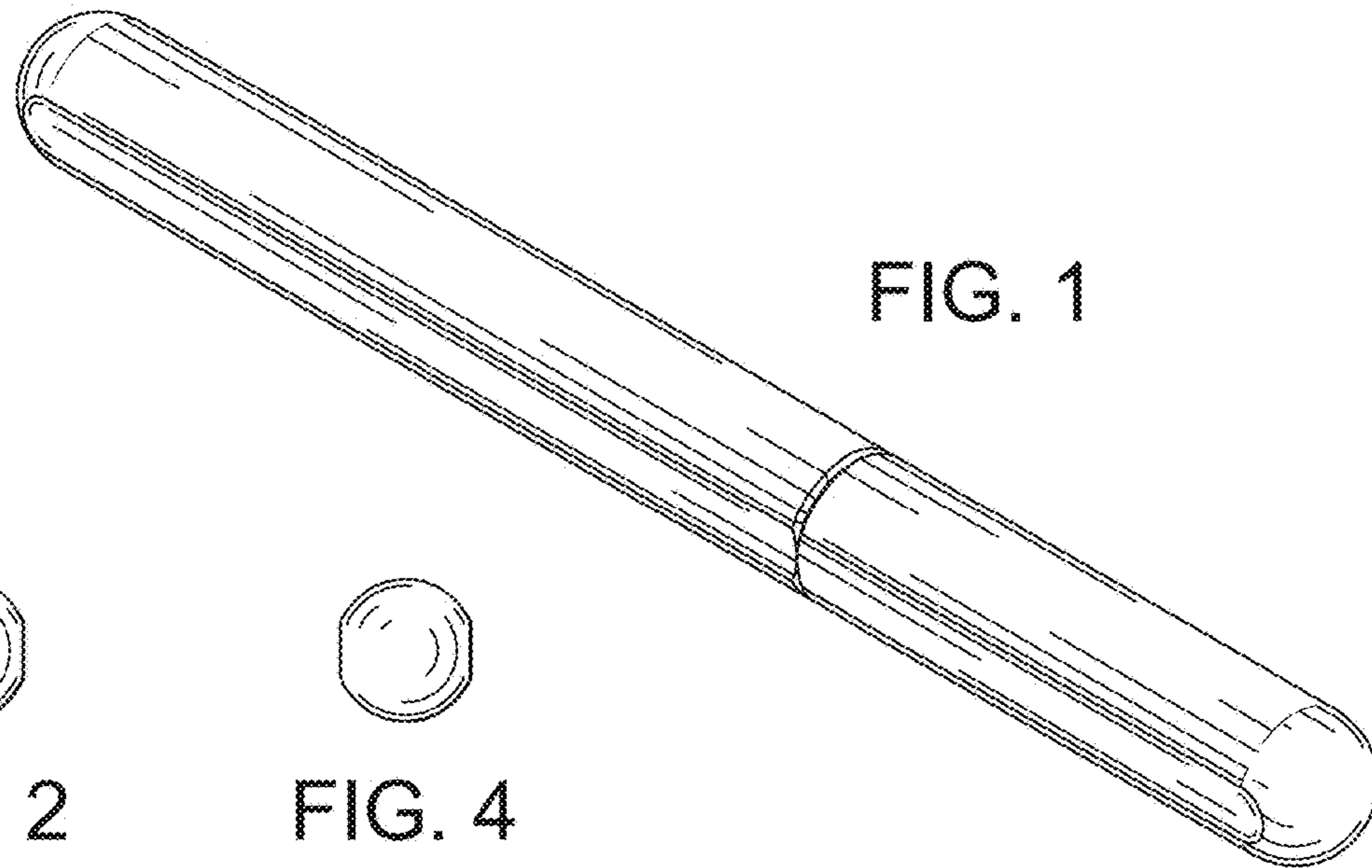


FIG. 2



FIG. 4

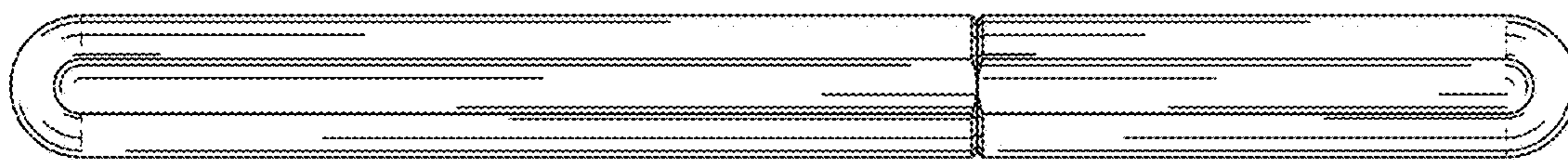


FIG. 3



FIG. 5

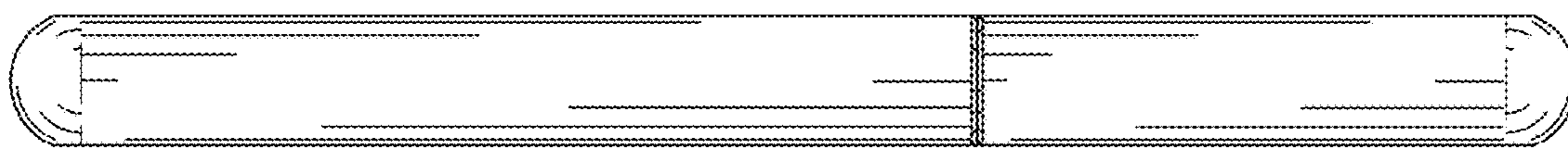


FIG. 6

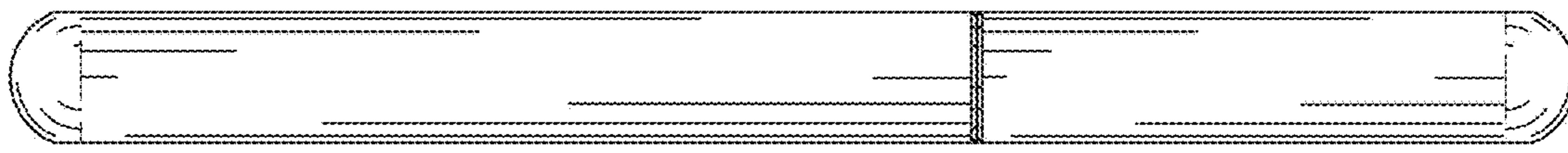


FIG. 7

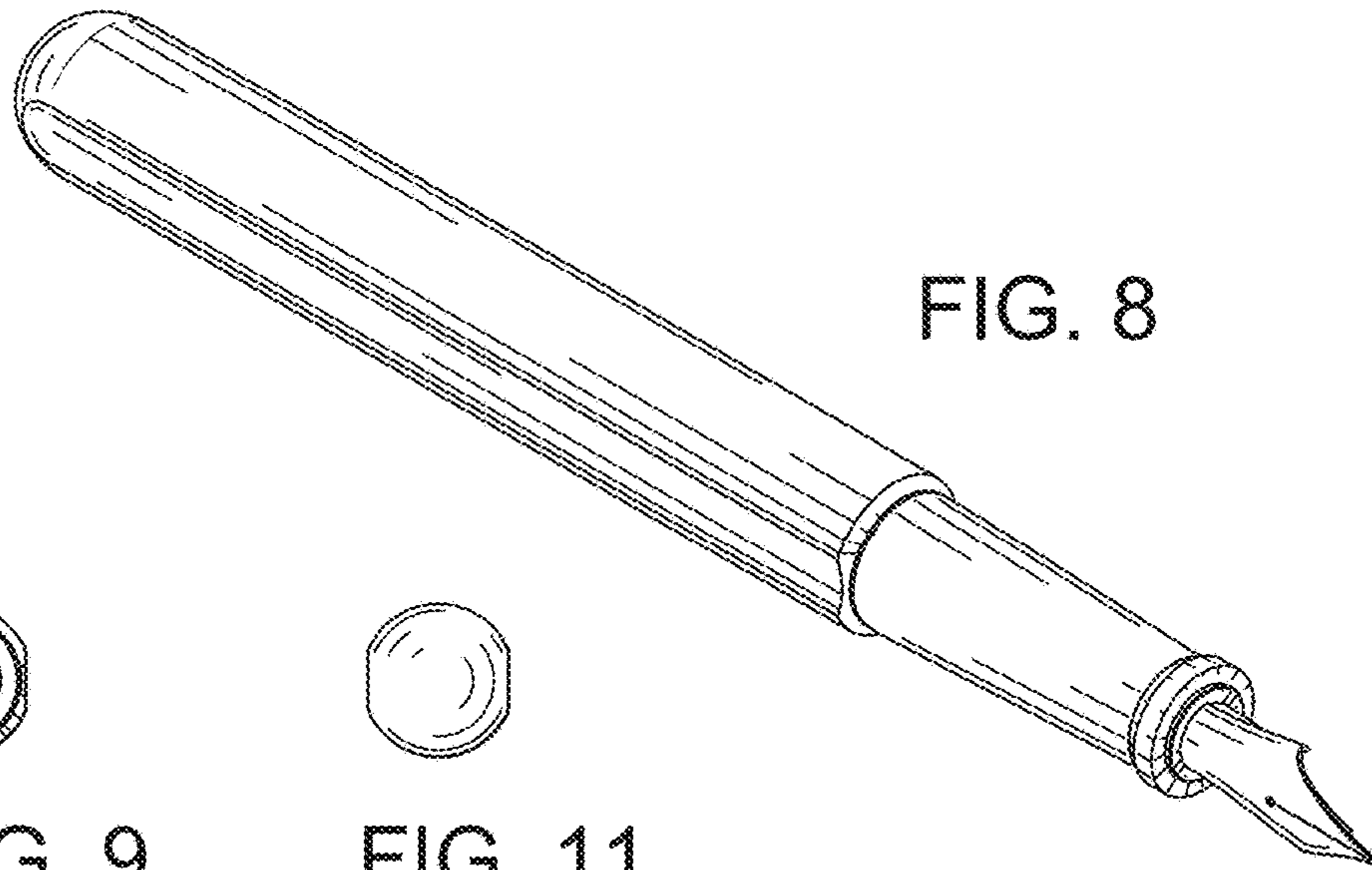


FIG. 8



FIG. 9



FIG. 11

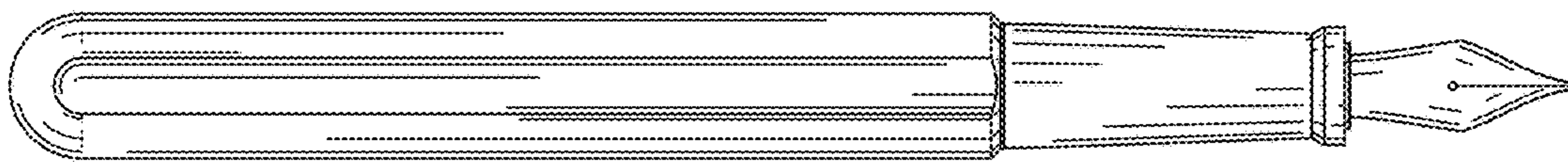


FIG. 10



FIG. 12

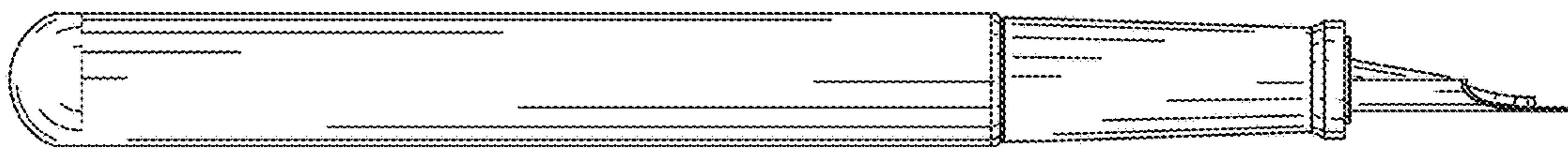


FIG. 13

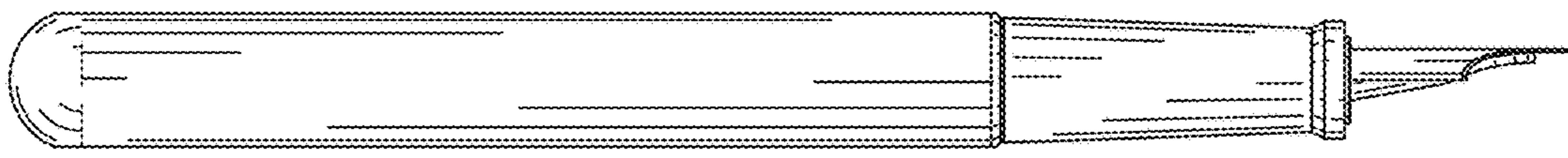


FIG. 14