

US00D829816S

(12) **United States Design Patent**
Takahashi et al.

(10) **Patent No.:** **US D829,816 S**
(45) **Date of Patent:** **** Oct. 2, 2018**

(54) **INK CARTRIDGE**
(71) Applicant: **BROTHER INDUSTRIES, LTD.**,
Nagoya-shi, Aichi-ken (JP)
(72) Inventors: **Hiroaki Takahashi**, Nagoya (JP);
Toshiya Inada, Nagoya (JP); **Masahide**
Asano, Nagoya (JP)
(73) Assignee: **BROTHER INDUSTRIES, LTD.**,
Nagoya (JP)
(**) Term: **15 Years**
(21) Appl. No.: **29/614,125**
(22) Filed: **Aug. 16, 2017**

8,052,260 B2 * 11/2011 Hattori B41J 2/17513
347/86
8,109,615 B2 * 2/2012 Kanbe B41J 2/17513
347/7
8,157,364 B2 * 4/2012 Sasaki B41J 2/17513
347/85
D659,188 S * 5/2012 Kanbe D18/56
8,317,307 B2 * 11/2012 Ishizawa B41J 2/17513
347/7
D677,721 S * 3/2013 Kawate D18/56
D680,164 S * 4/2013 Kawate D18/56
D680,165 S 4/2013 Takagi et al.
D681,728 S 5/2013 Takagi et al.
D692,052 S * 10/2013 Ishizawa D18/56
D692,947 S * 11/2013 Nozawa D18/56
8,657,423 B2 * 2/2014 Gonzales B41J 2/17513
347/85
D707,290 S * 6/2014 Harvey D18/56
D712,464 S * 9/2014 Harvey D18/56

(Continued)

(30) **Foreign Application Priority Data**
Feb. 28, 2017 (JP) 2017-003889
(51) **LOC (11) Cl.** **18-02**
(52) **U.S. Cl.**
USPC **D18/56**
(58) **Field of Classification Search**
USPC D18/56, 18, 40, 44, 58, 99
CPC . B41J 2/17; B41J 2/1721; B41J 2/1572; B41J
2/1574; B41J 2/17503; B41J 2/17553;
B41J 2/17556; B41J 2/16547
See application file for complete search history.

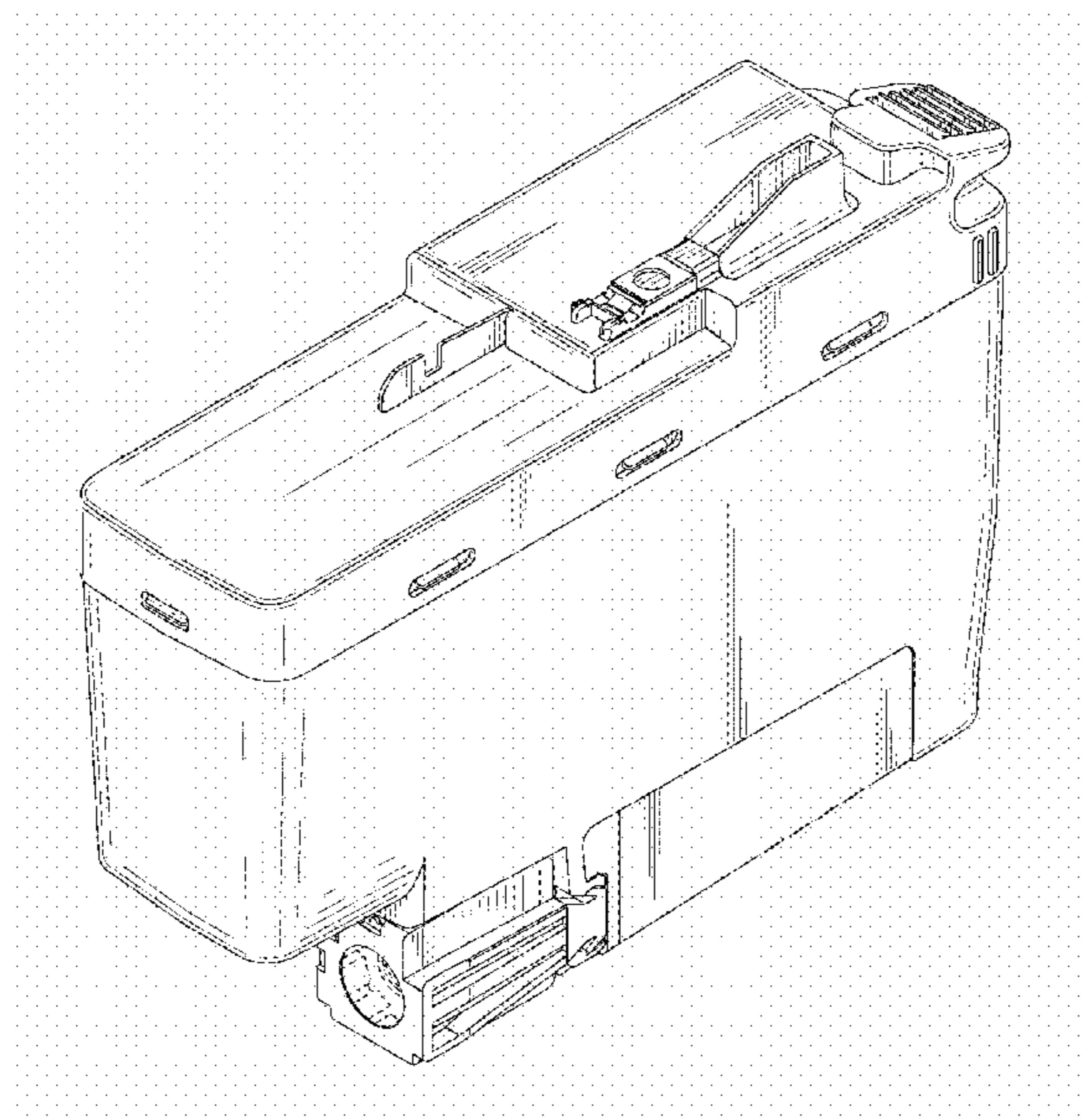
Primary Examiner — Robin V Webster
Assistant Examiner — James C Thorn, Sr.
(74) *Attorney, Agent, or Firm* — Oliff PLC

(56) **References Cited**
U.S. PATENT DOCUMENTS
D450,083 S * 11/2001 Bishop 347/86
D466,151 S * 11/2002 Shinada 347/86
D481,756 S * 11/2003 Shinada 347/86
D529,084 S * 9/2006 Myers D18/56
D563,463 S * 3/2008 Ishizawa 347/86
D603,895 S * 11/2009 Hattori D18/56
D627,818 S * 11/2010 Ishizawa 347/86

(57) **CLAIM**
The ornamental design for an ink cartridge, as shown and described.

DESCRIPTION
FIG. 1 is a front perspective view of an ink cartridge;
FIG. 2 is a front view thereof;
FIG. 3 is a top view thereof;
FIG. 4 is a right-side view thereof;
FIG. 5 is a left-side view thereof;
FIG. 6 is a rear view thereof;
FIG. 7 is a bottom view thereof;
FIG. 8 is a rear perspective view thereof; and,
FIG. 9 is bottom perspective view thereof.
The evenly spaced broken lines depict environmental sub-
ject matter only and form no part of the claimed design.

1 Claim, 8 Drawing Sheets



(56)

References Cited

U.S. PATENT DOCUMENTS

D712,466 S * 9/2014 Nagashima D18/56
D721,132 S 1/2015 Kobayashi
D729,312 S * 5/2015 Harvey D18/56
9,597,882 B2 * 3/2017 Gonzales B41J 2/17513
D783,089 S 4/2017 Okazaki
D783,090 S 4/2017 Okazaki
D783,091 S 4/2017 Okazaki
D786,347 S 5/2017 Okazaki
9,802,418 B2 * 10/2017 Nagashima B41J 2/17536
D815,200 S * 4/2018 Ishizawa D18/56

* cited by examiner

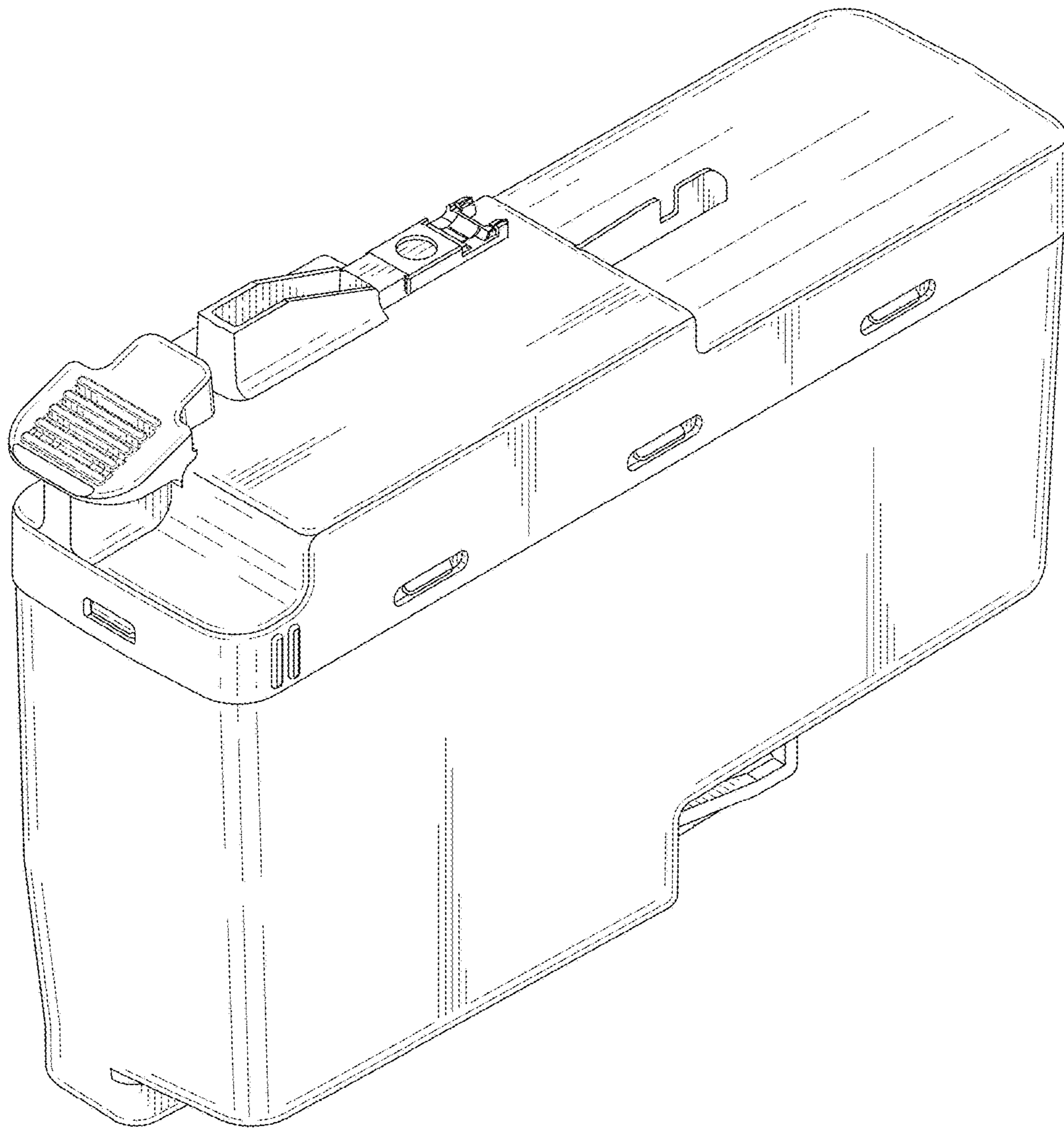


FIG. 1

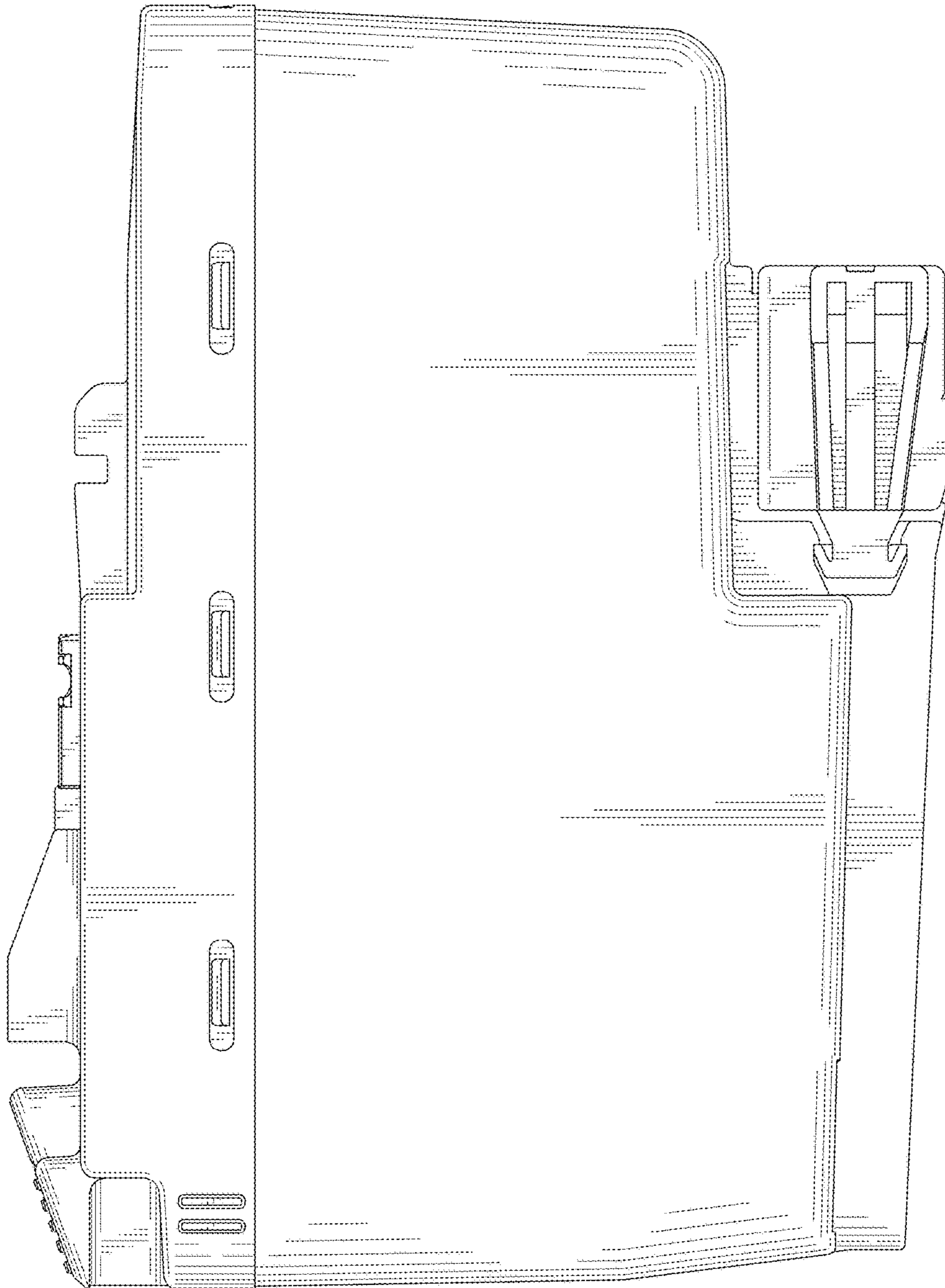


FIG. 2

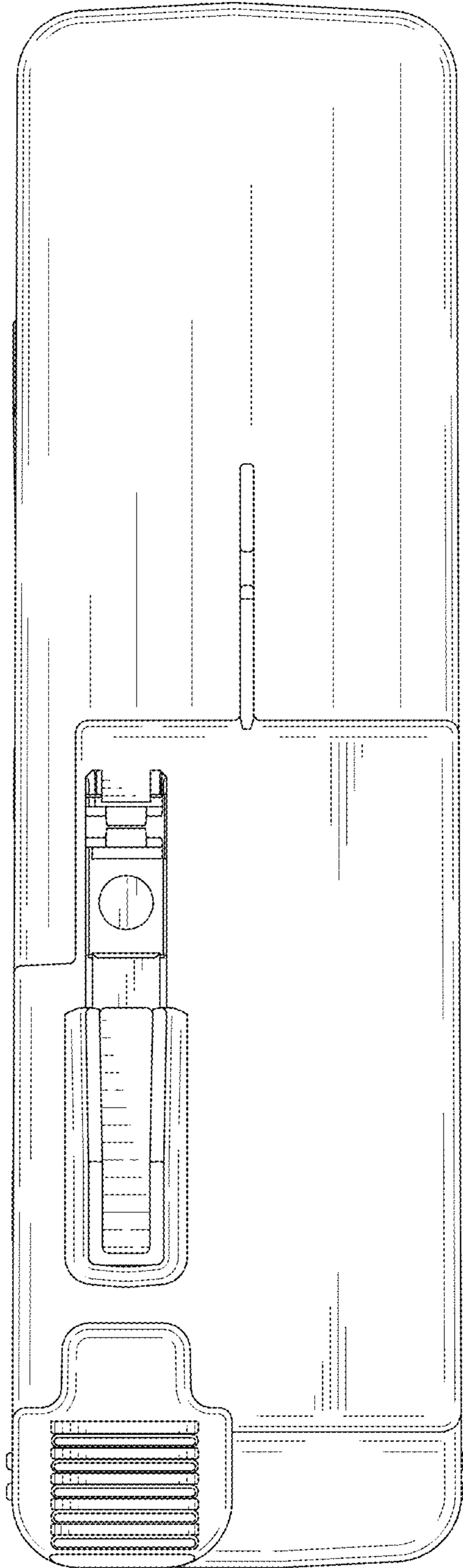


FIG. 3

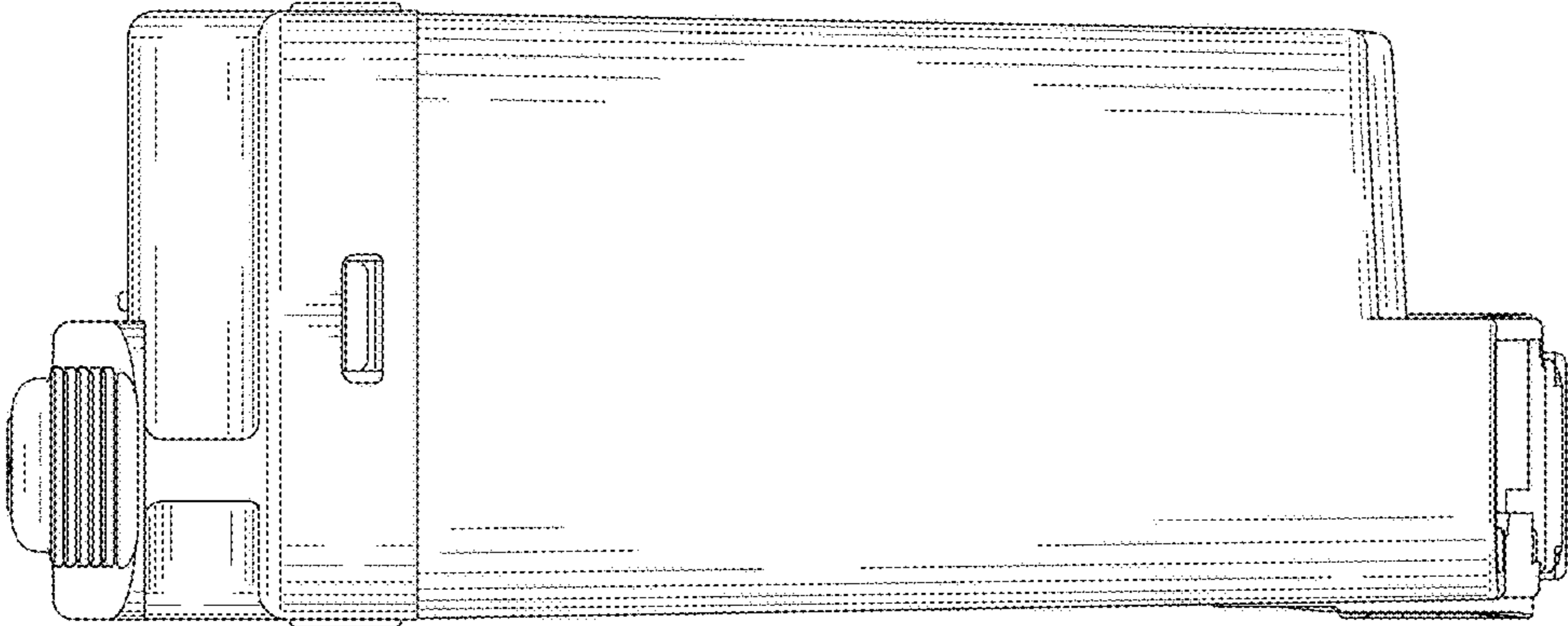


FIG. 5

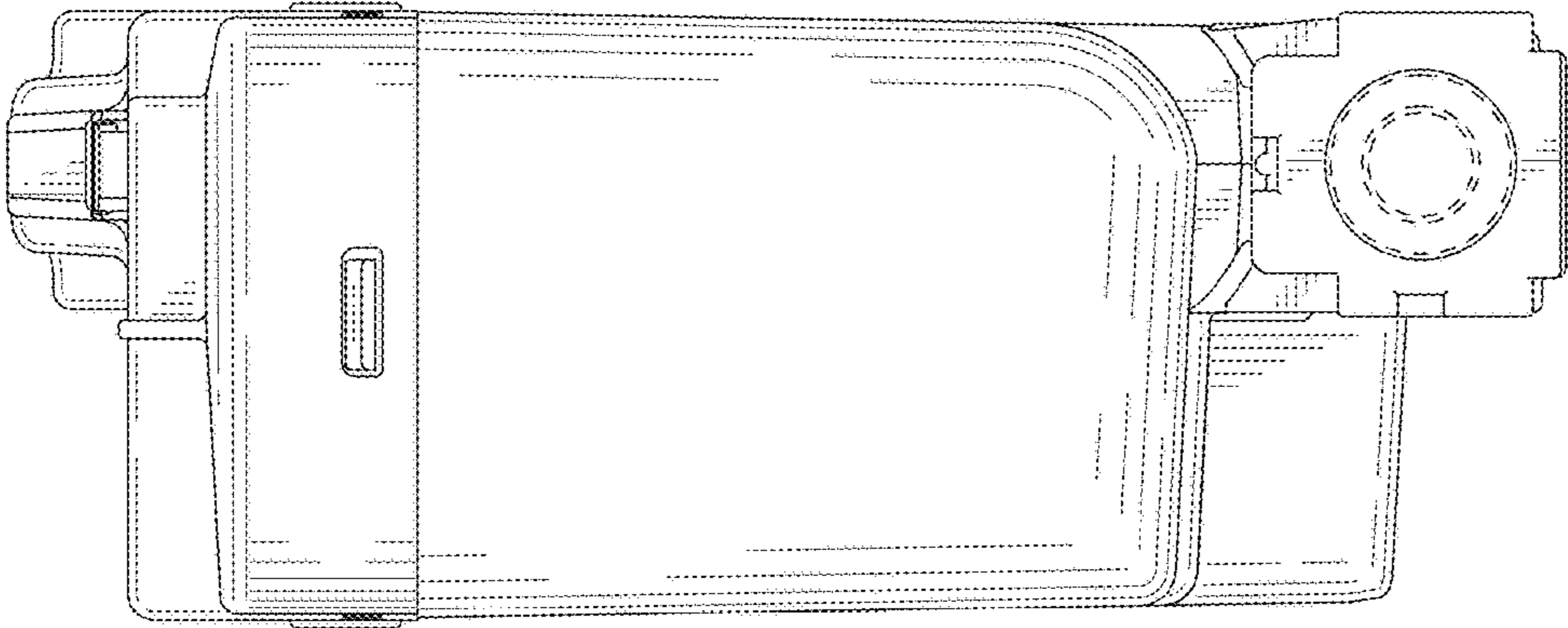


FIG. 4

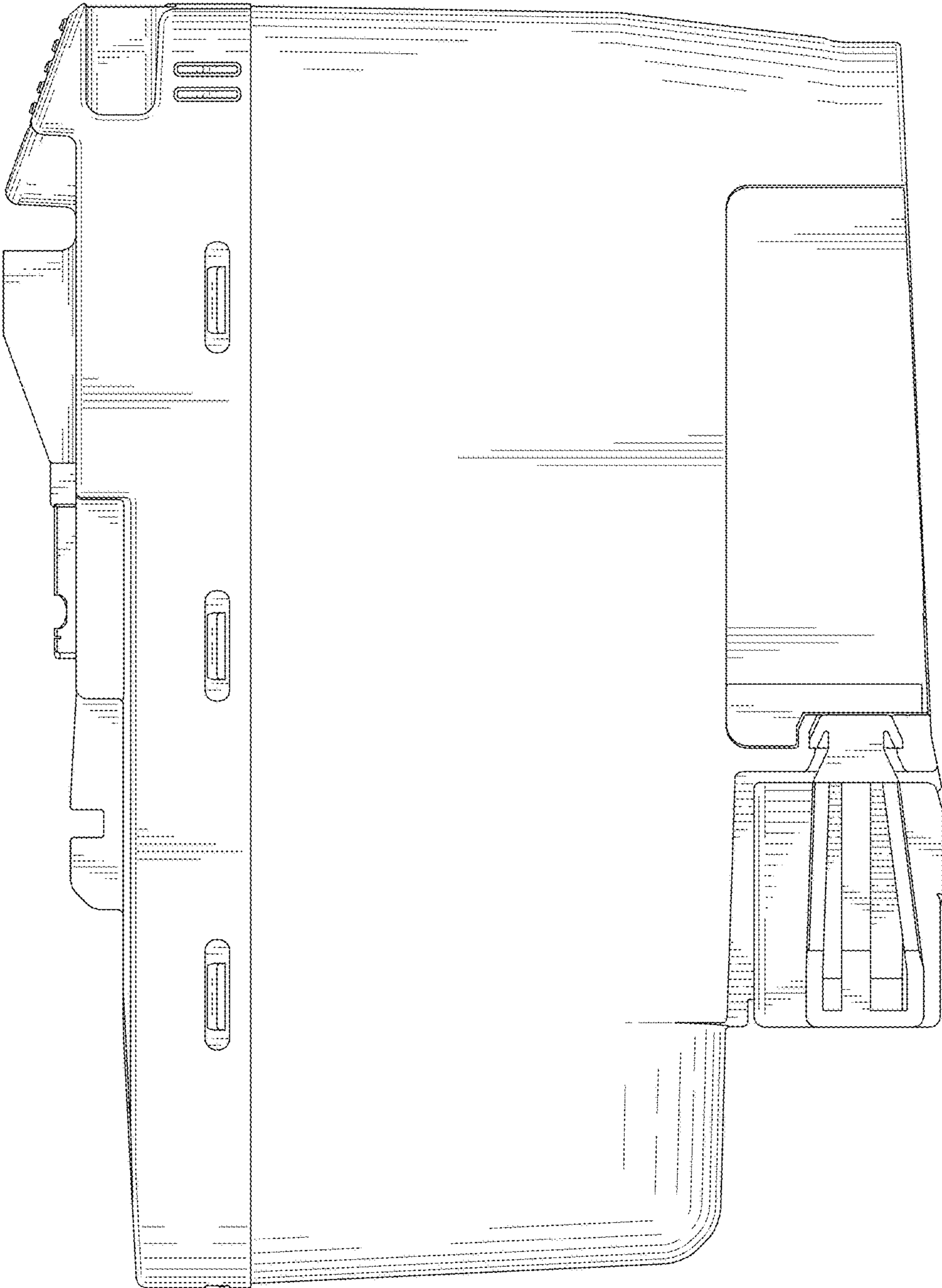


FIG. 6

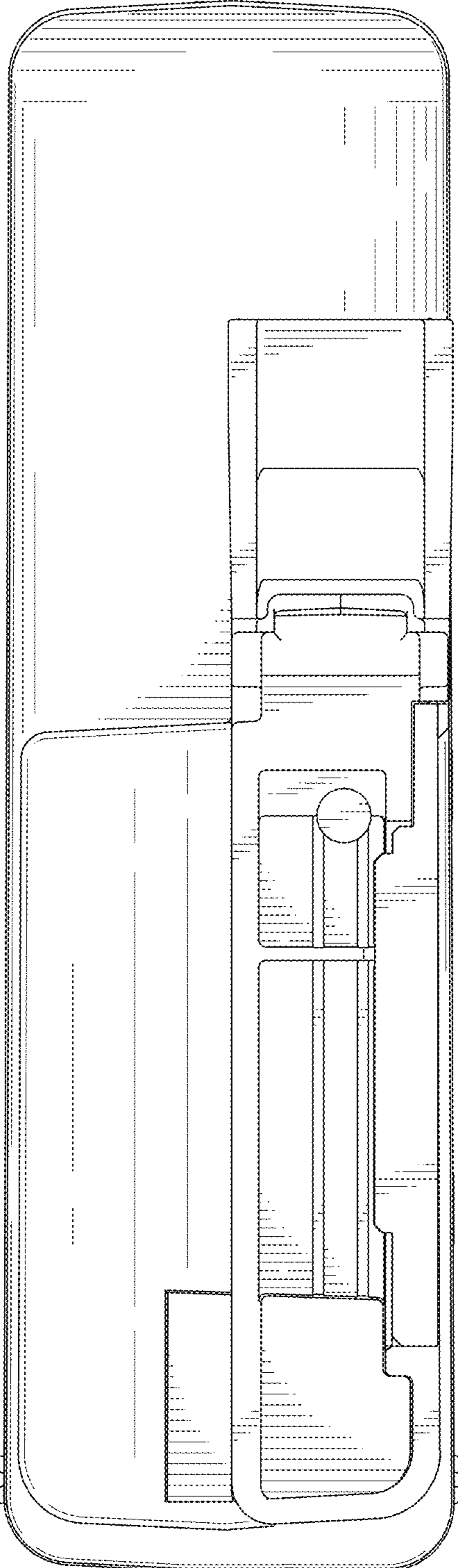


FIG. 7

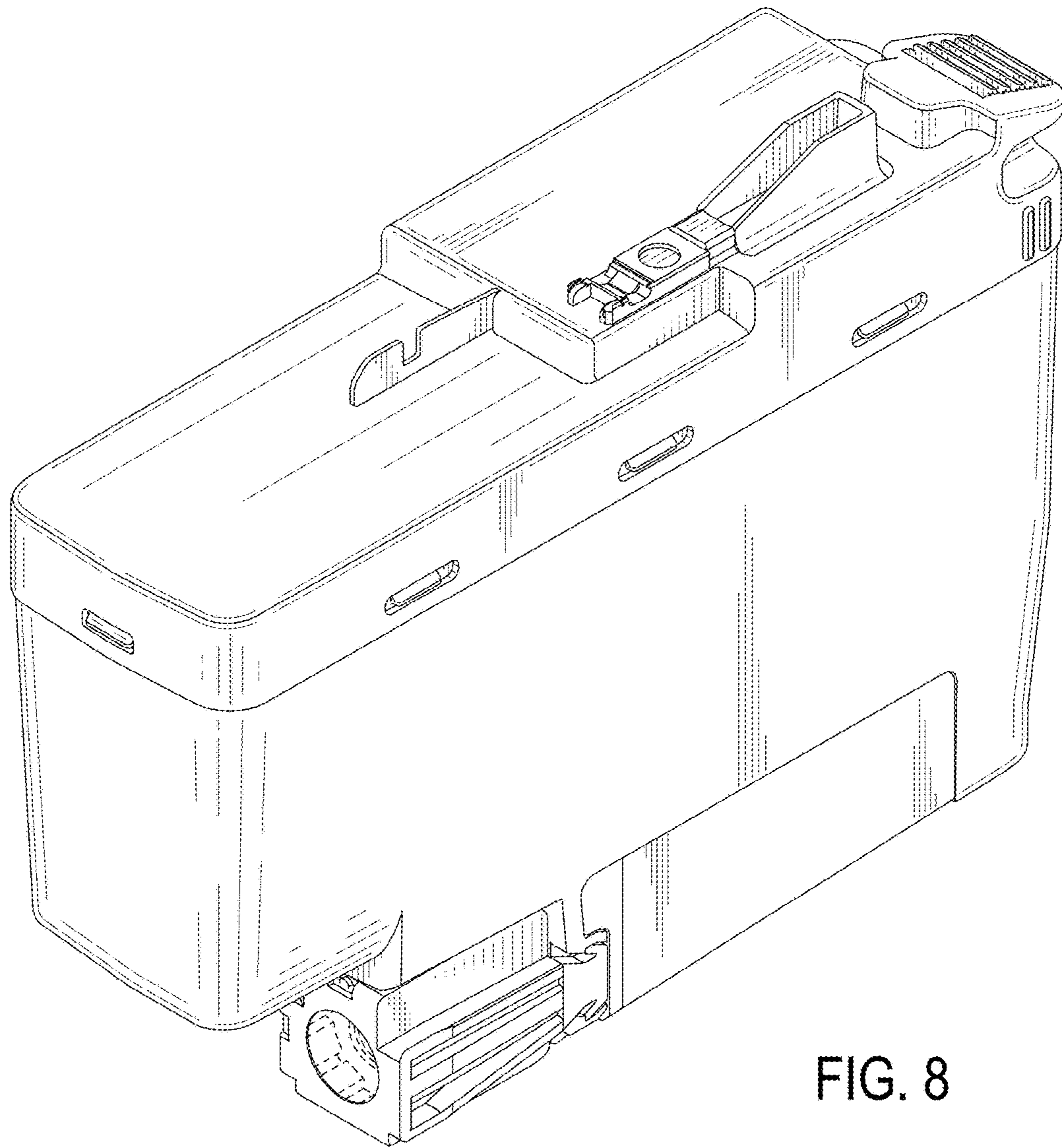


FIG. 8

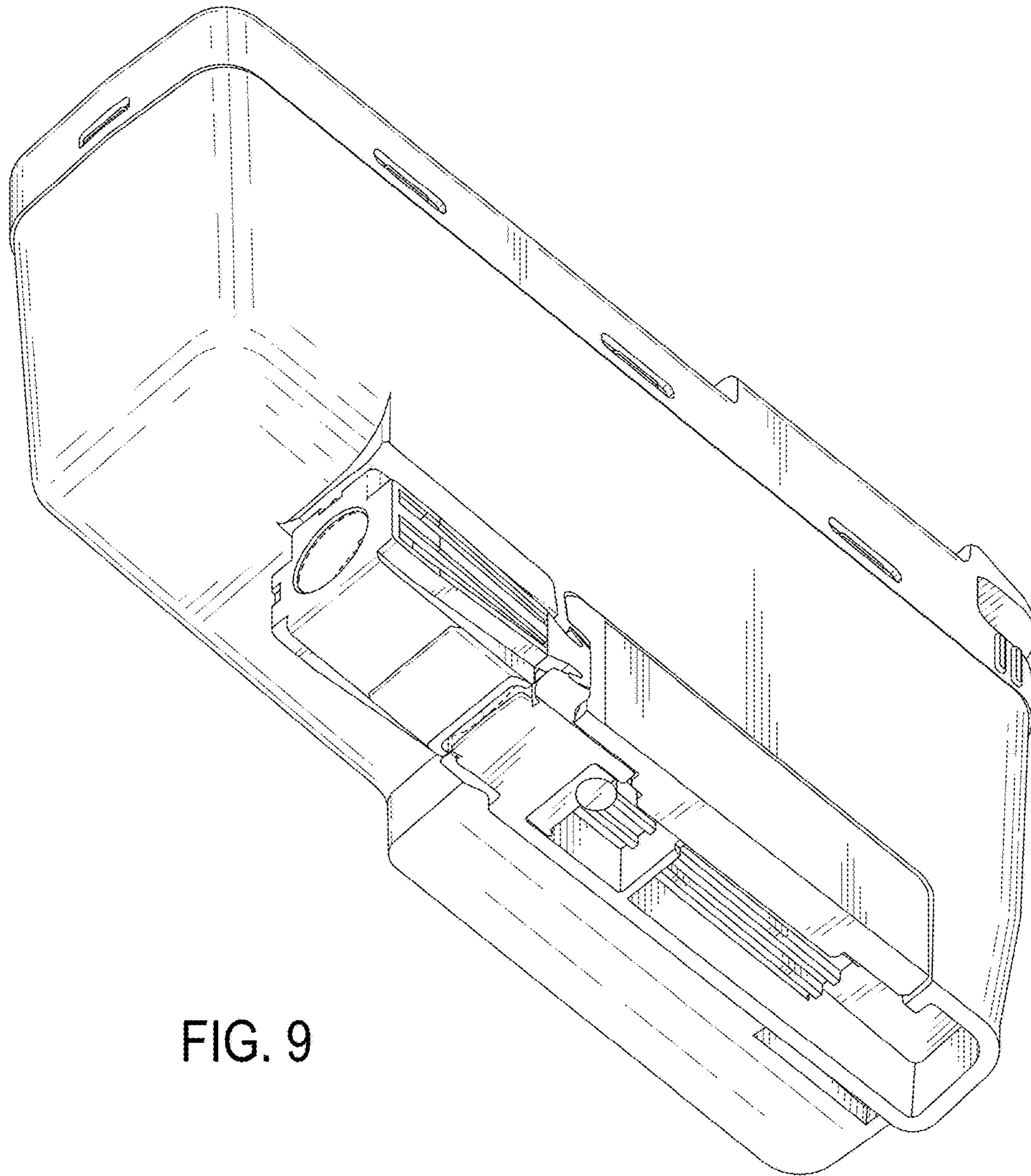


FIG. 9