



US00D829814S

(12) **United States Design Patent**
Kubo et al.

(10) **Patent No.:** **US D829,814 S**
(45) **Date of Patent:** **** Oct. 2, 2018**

(54) **TONER CARTRIDGE**

(71) Applicant: **FUJI XEROX CO., LTD.**, Tokyo (JP)

(72) Inventors: **Keisuke Kubo**, Ebina (JP); **Seigo Shinozaki**, Ebina (JP); **Makoto Kanno**, Ebina (JP)

(73) Assignee: **FUJI XEROX CO., LTD.**, Tokyo (JP)

(**) Term: **15 Years**

(21) Appl. No.: **29/614,436**

(22) Filed: **Aug. 18, 2017**

Related U.S. Application Data

(62) Division of application No. 29/579,177, filed on Sep. 28, 2016.

(30) **Foreign Application Priority Data**

May 23, 2016 (JP) 2016-010882
May 23, 2016 (JP) 2016-010884
May 23, 2016 (JP) 2016-010885
Sep. 27, 2016 (JP) 2016-020643

(51) **LOC (11) Cl.** **16-03**

(52) **U.S. Cl.**
USPC **D18/43**

(58) **Field of Classification Search**

USPC D14/471, 483, 484; D18/12, 18, 36, 40,
D18/43, 44, 56, 58, 99
CPC . B41J 2/17; B41J 2/1721; B41J 2/1572; B41J
2/1754; B41J 2/17503; B41J 2/17553;
B41J 2/17556; B41J 2/16547

See application file for complete search history.

(56) **References Cited**

U.S. PATENT DOCUMENTS

D364,184 S 11/1995 Satake et al.
D404,758 S 1/1999 Koide
5,857,129 A 1/1999 Harris

D442,986 S 5/2001 Tsuji et al.
D447,167 S 8/2001 Taniyama
D450,081 S 11/2001 Tsuji et al.
D458,301 S 6/2002 Wang et al.
D458,960 S 6/2002 Wang et al.
D458,961 S 6/2002 Wang et al.
D472,572 S 4/2003 Kaiho
D500,074 S 12/2004 Naraoka
D500,076 S 12/2004 Takuwa
D531,662 S 11/2006 Tsuda et al.
D532,037 S 11/2006 Tsuda et al.
D599,845 S 9/2009 Kurenuma et al.

(Continued)

OTHER PUBLICATIONS

Aug. 24, 2017 Office Action Issued in U.S. Appl. No. 29/579,177. Konica Miolta Bizhub 195 . 215 (available online Feb. 20, 2016) Retrieved from the internet Aug. 11, 2017, retrieved from the Internet URL: <https://www.youtube.com/watch?v=phO5AkEXrQk>. Feb. 7, 2018 Office Action issued in U.S. Appl. No. 29/579,177. Feb. 22, 2018 Office Action issued in U.S. Appl. No. 29/614,420.

Primary Examiner — Kevin K Rudzinski

Assistant Examiner — Richard Kearney

(74) *Attorney, Agent, or Firm* — Oliff PLC

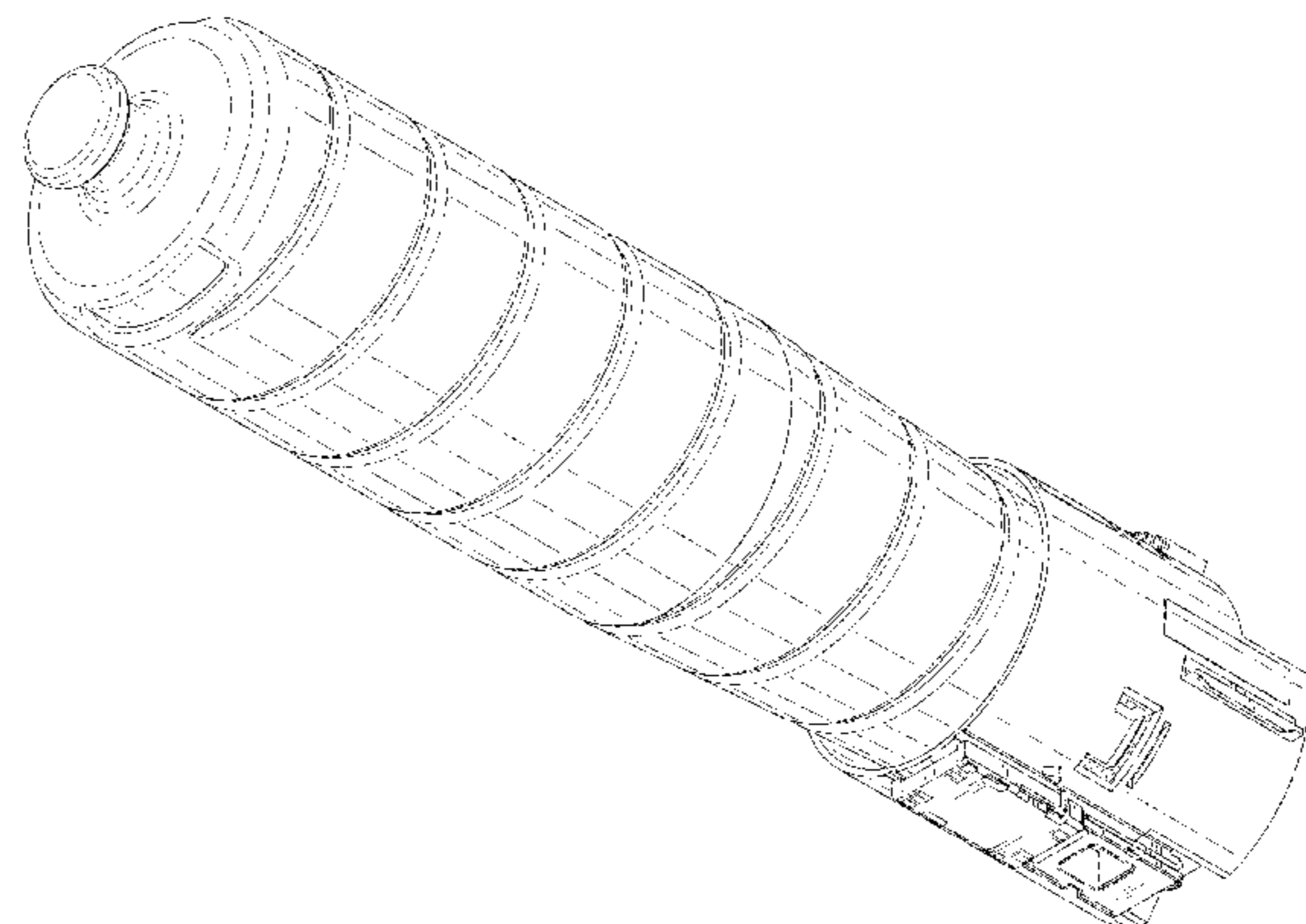
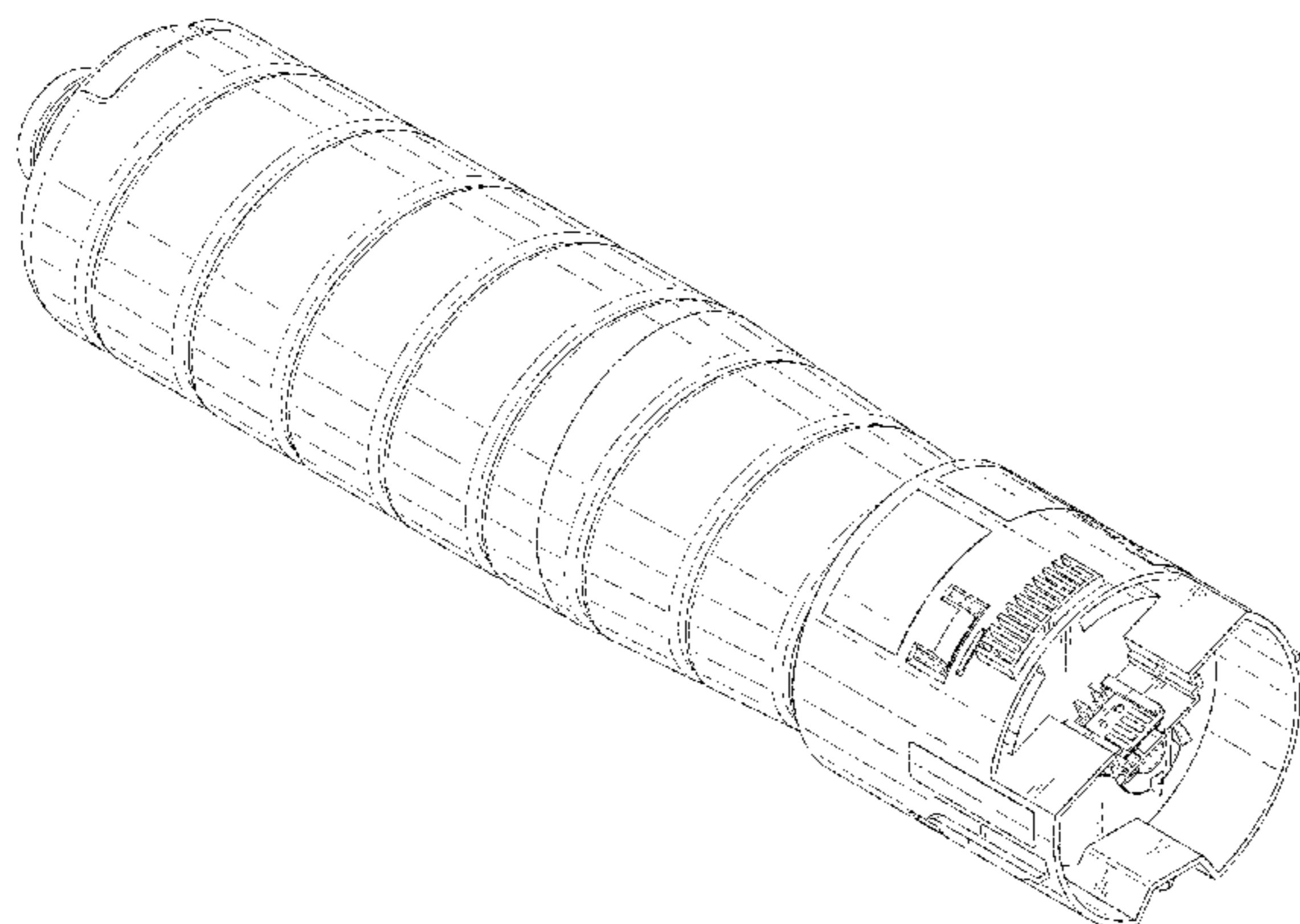
(57) **CLAIM**

The ornamental design for a toner cartridge, as shown and described.

DESCRIPTION

FIG. 1 is a front, right, top perspective view of a toner cartridge showing our new design; FIG. 2 is a front, left, top perspective view thereof; FIG. 3 is a front view thereof; FIG. 4 is a rear side view thereof; FIG. 5 is a left side view thereof; FIG. 6 is a right side view thereof; FIG. 7 is a top plan view thereof; and, FIG. 8 is a bottom plan view thereof. The broken lines illustrate portions of the toner cartridge that form no part of the claimed design.

1 Claim, 5 Drawing Sheets



(56)

References Cited

U.S. PATENT DOCUMENTS

D602,985	S	10/2009	Yoshizawa	
D615,124	S	5/2010	Nakajima et al.	
D615,584	S	5/2010	Jimba et al.	
D622,759	S	8/2010	Yoshida et al.	
D635,188	S	3/2011	Rommel	
D636,435	S	4/2011	Naito et al.	
8,005,406	B2 *	8/2011	Hosokawa	G03G 15/0886 399/258
D655,748	S	3/2012	Takami	
D656,181	S	3/2012	Kikuchi et al.	
D685,841	S	7/2013	Okino et al.	
D689,129	S	9/2013	Okino et al.	
D711,462	S	8/2014	Jimba et al.	
D734,386	S	7/2015	Kikuchi et al.	
9,639,028	B2	5/2017	Horii et al.	
RE46,689	E	1/2018	Umezawa et al.	
2007/0092302	A1	4/2007	Koyama	
2007/0230974	A1	10/2007	Ohkawa et al.	
2008/0260432	A1 *	10/2008	Ohyama	G03G 15/0856 399/258
2010/0008698	A1 *	1/2010	Ichikawa	G03G 15/0872 399/119
2010/0129118	A1 *	5/2010	Kimura	G03G 15/0872 399/260
2016/0091825	A1	3/2016	Oba et al.	
2017/0090346	A1	3/2017	Tamazawa et al.	

* cited by examiner

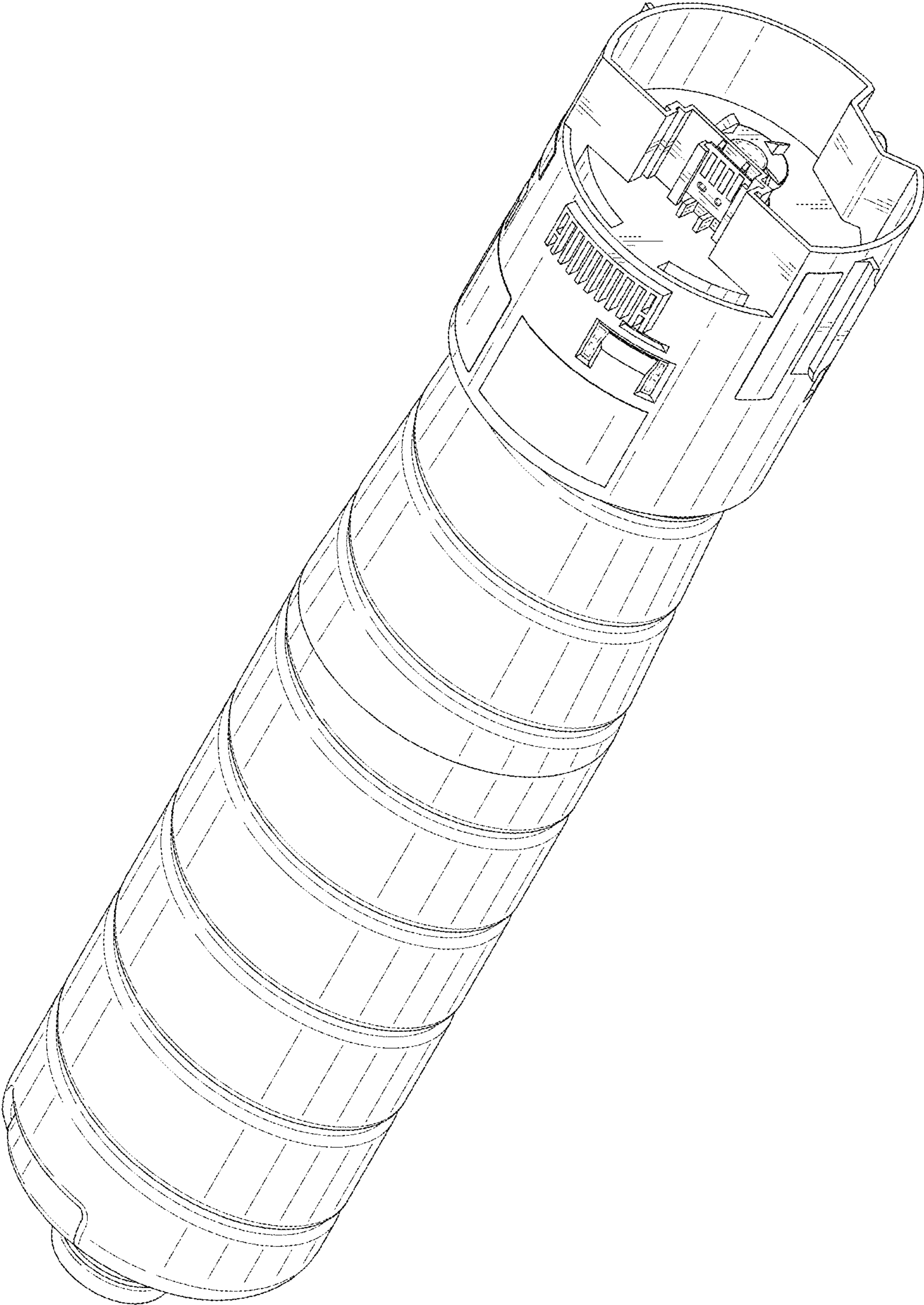


FIG. 1

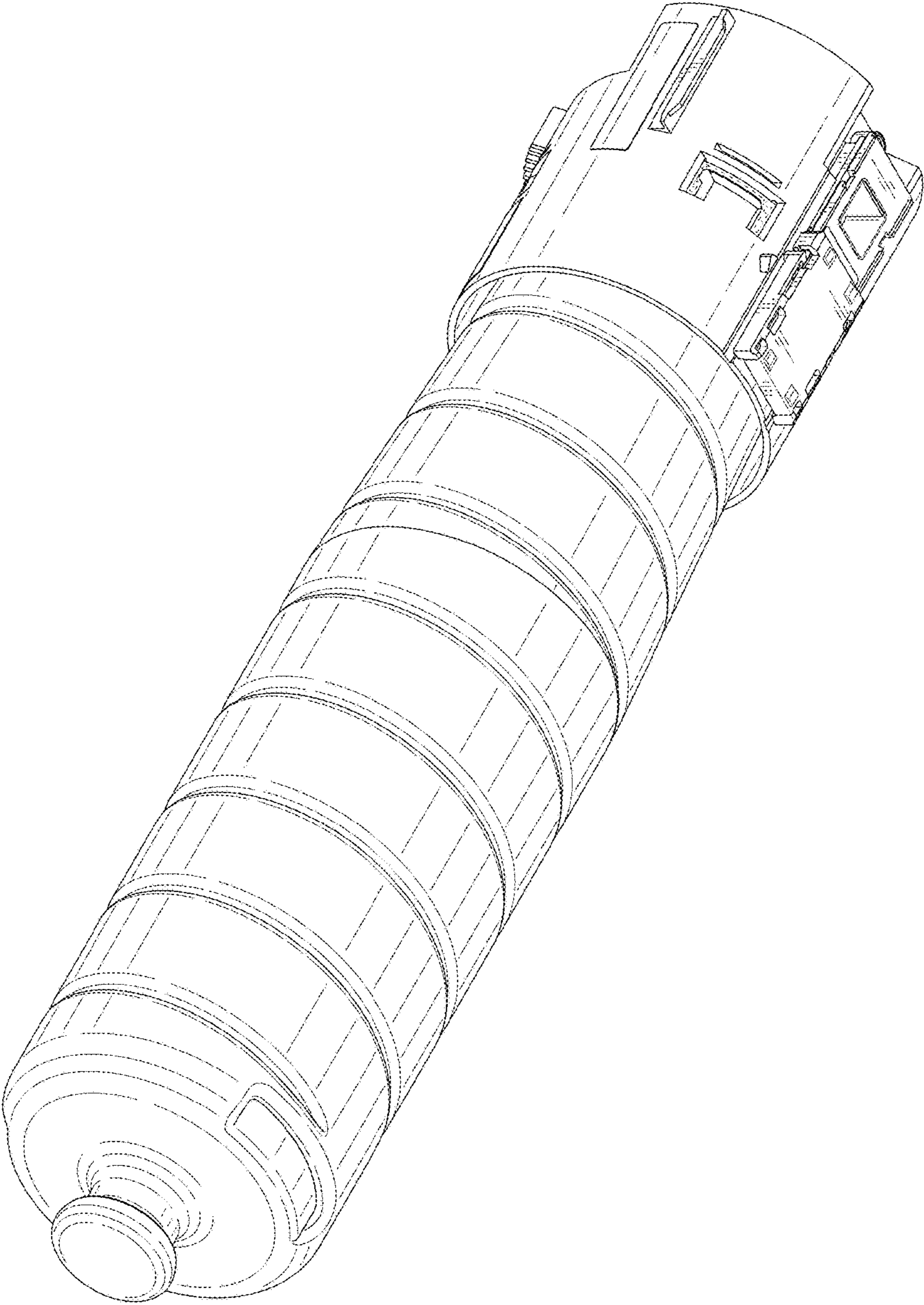
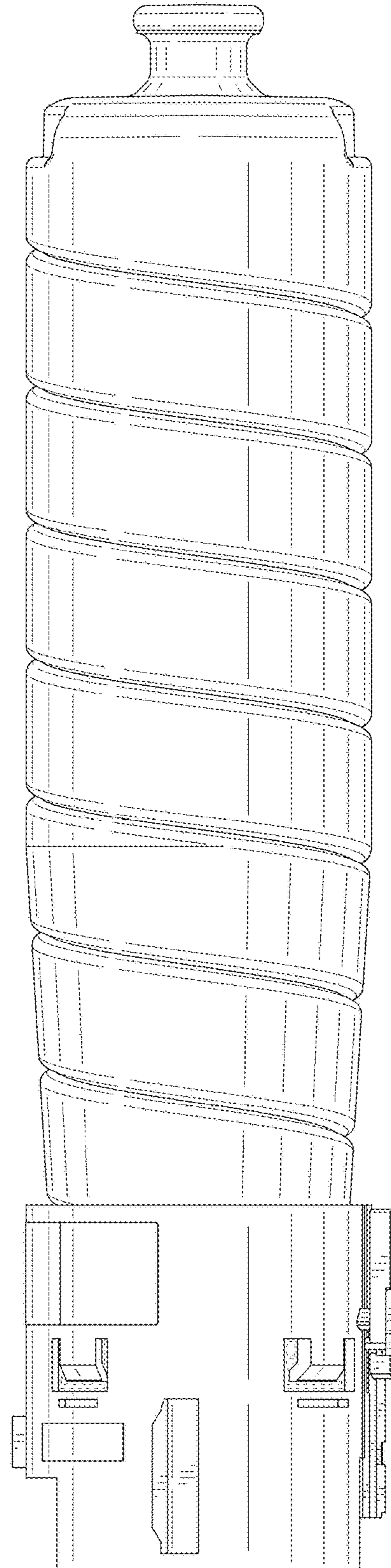
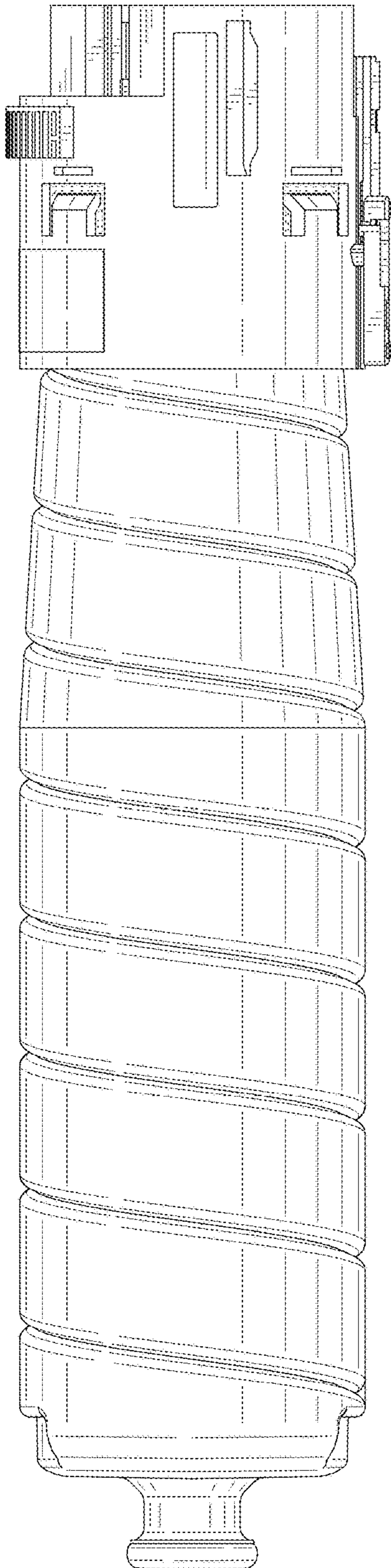


FIG. 2



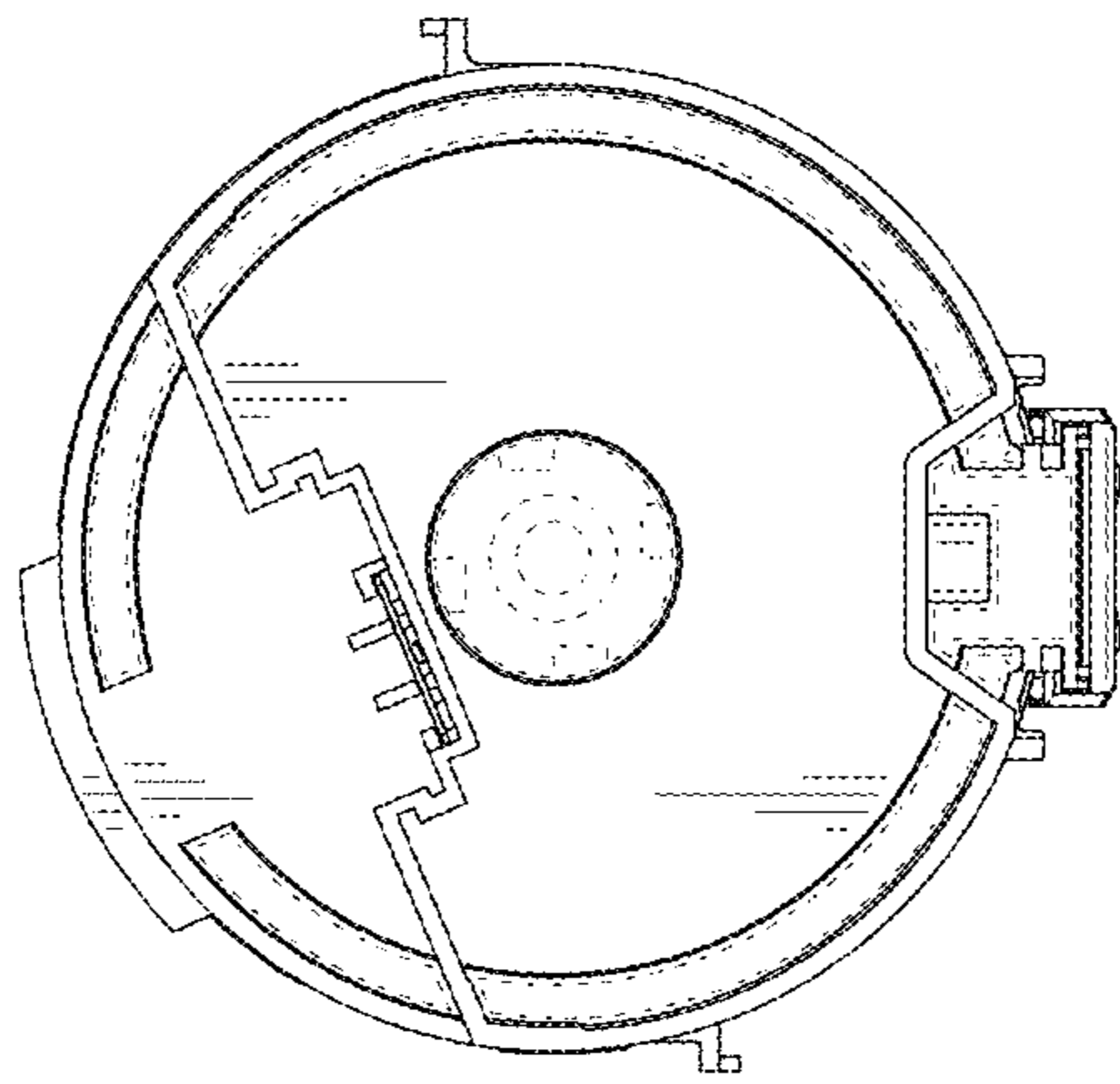


FIG. 6

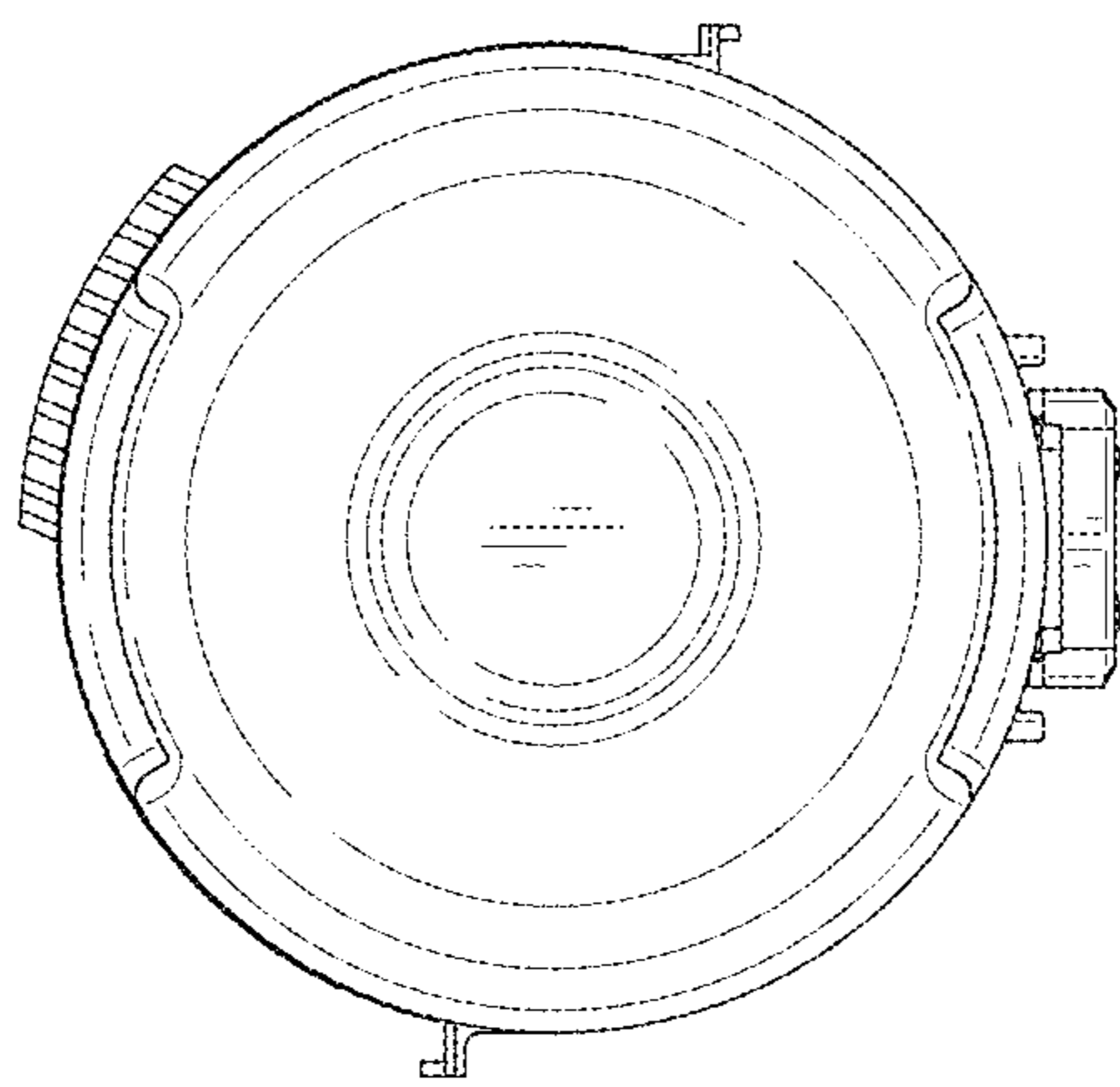


FIG. 5

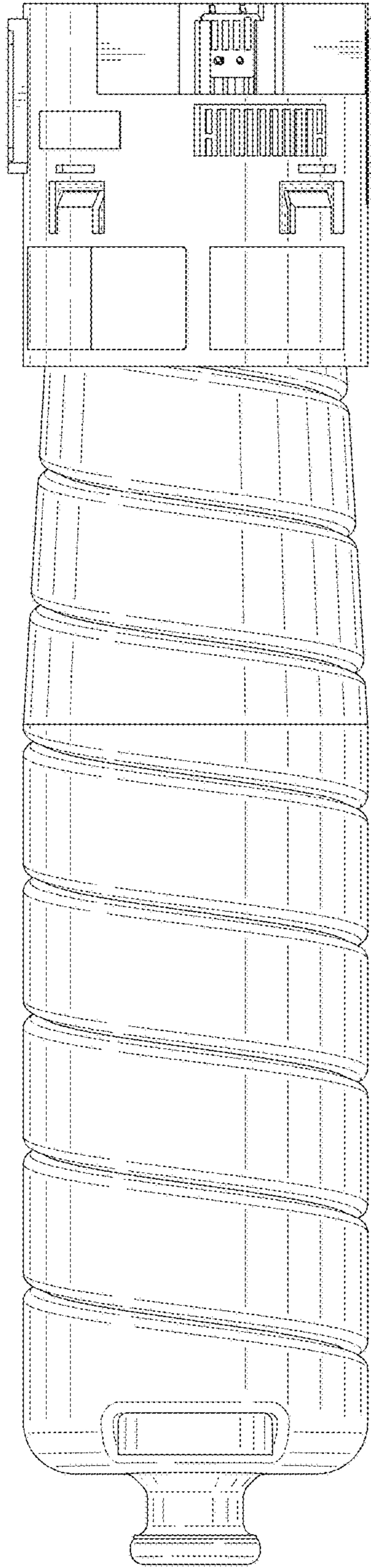


FIG. 7

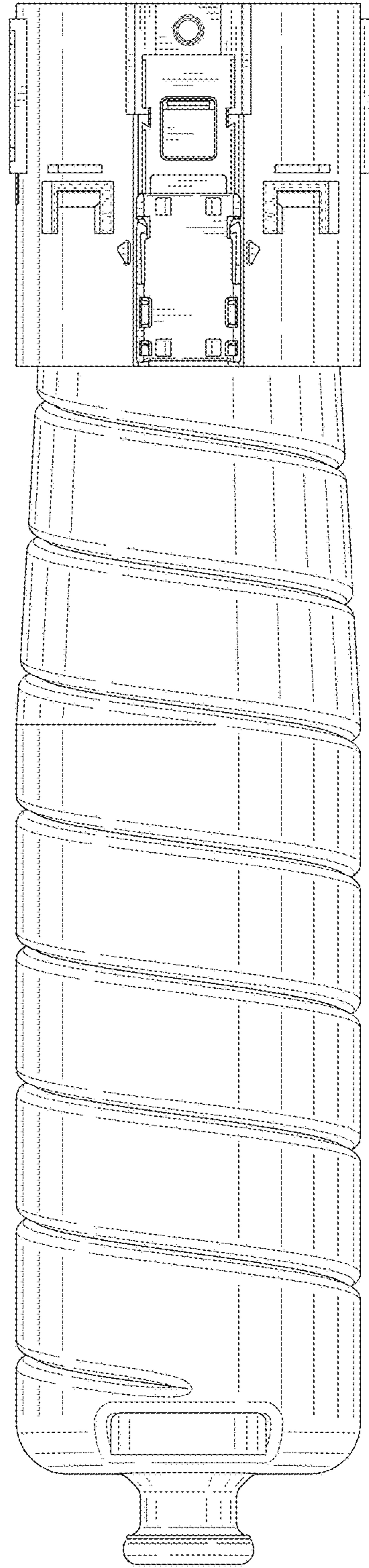


FIG. 8