



US00D829813S

(12) **United States Design Patent**
Kubo et al.

(10) **Patent No.:** **US D829,813 S**

(45) **Date of Patent:** **** Oct. 2, 2018**

(54) **TONER CARTRIDGE**

(71) Applicant: **FUJI XEROX CO., LTD.**, Tokyo (JP)

(72) Inventors: **Keisuke Kubo**, Ebina (JP); **Seigo Shinozaki**, Ebina (JP); **Makoto Kanno**, Kanagawa (JP)

(73) Assignee: **FUJI XEROX CO., LTD.**, Tokyo (JP)

(**) Term: **15 Years**

(21) Appl. No.: **29/614,420**

(22) Filed: **Aug. 18, 2017**

Related U.S. Application Data

(62) Division of application No. 29/579,177, filed on Sep. 28, 2016.

(30) **Foreign Application Priority Data**

May 23, 2016 (JP) 2016-010882
May 23, 2016 (JP) 2016-010884
May 23, 2016 (JP) 2016-010885
Sep. 27, 2016 (JP) 2016-020643

(51) **LOC (11) Cl.** **16-03**

(52) **U.S. Cl.**
USPC **D18/43**

(58) **Field of Classification Search**
USPC D14/471, 483, 484; D18/12, 18, 36, 40,
D18/43, 44, 56, 58, 99
CPC . B41J 2/17; B41J 2/1721; B41J 2/1572; B41J
2/1754; B41J 2/17503; B41J 2/17553;
B41J 2/17556; B41J 2/16547
See application file for complete search history.

(56) **References Cited**

U.S. PATENT DOCUMENTS

D364,184 S 11/1995 Satake et al.
D404,758 S 1/1999 Koide

5,857,129 A * 1/1999 Harris G03G 15/0872
399/12
D442,986 S 5/2001 Tsuji et al.
D447,167 S 8/2001 Taniyama
D450,081 S 11/2001 Tsuji et al.
D458,301 S * 6/2002 Wang D18/43
D458,960 S * 6/2002 Wang D18/43
D458,961 S 6/2002 Wang et al.
D472,572 S 4/2003 Kaiho
D500,074 S 12/2004 Naraoka
D500,076 S 12/2004 Takuwa
D531,662 S 11/2006 Tsuda et al.
D532,037 S 11/2006 Tsuda et al.

(Continued)

OTHER PUBLICATIONS

Aug. 24, 2017 Office Action Issued in U.S. Appl. No. 29/579,177.

(Continued)

Primary Examiner — Kevin K Rudzinski

Assistant Examiner — Richard Kearney

(74) *Attorney, Agent, or Firm* — Oliff PLC

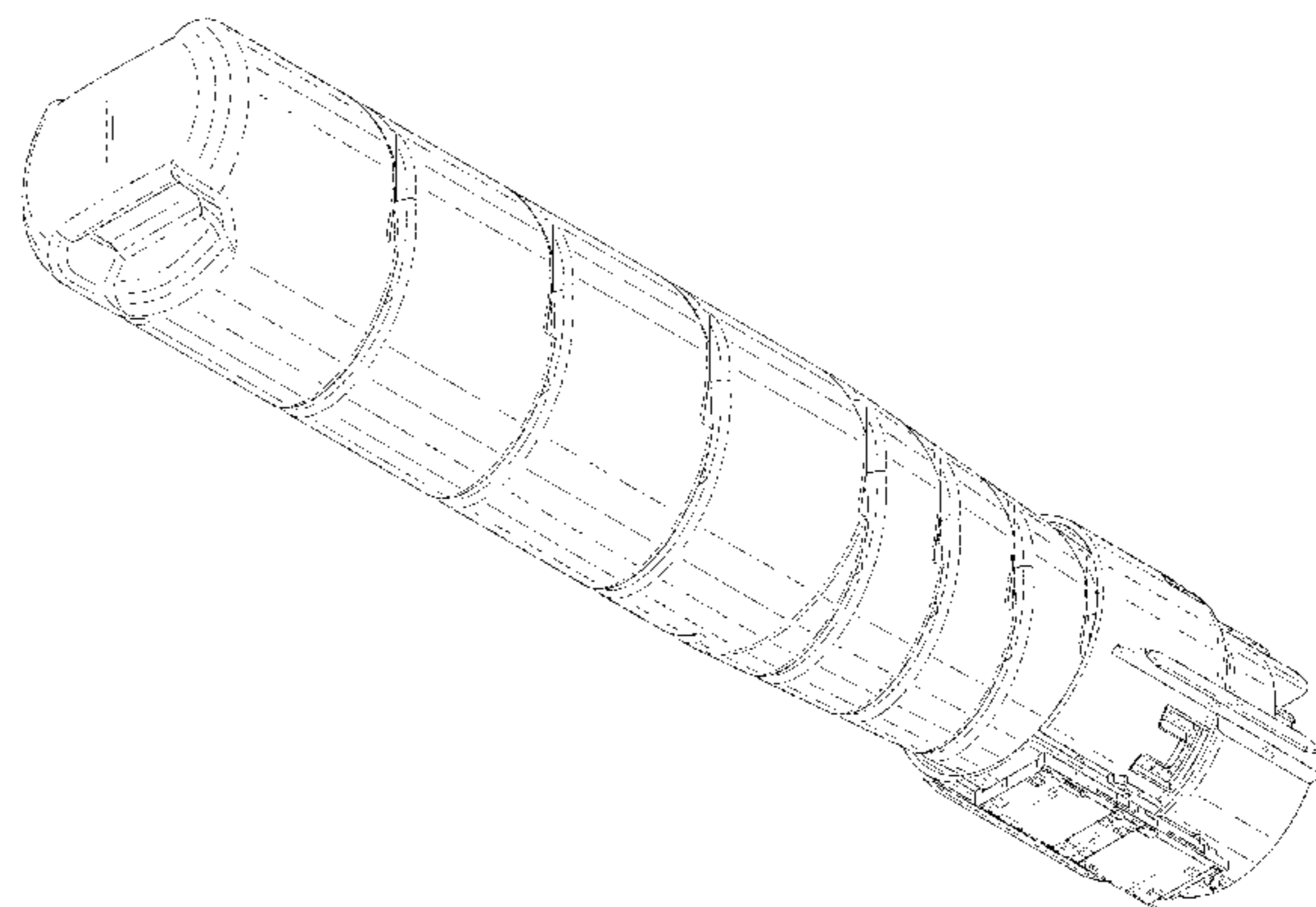
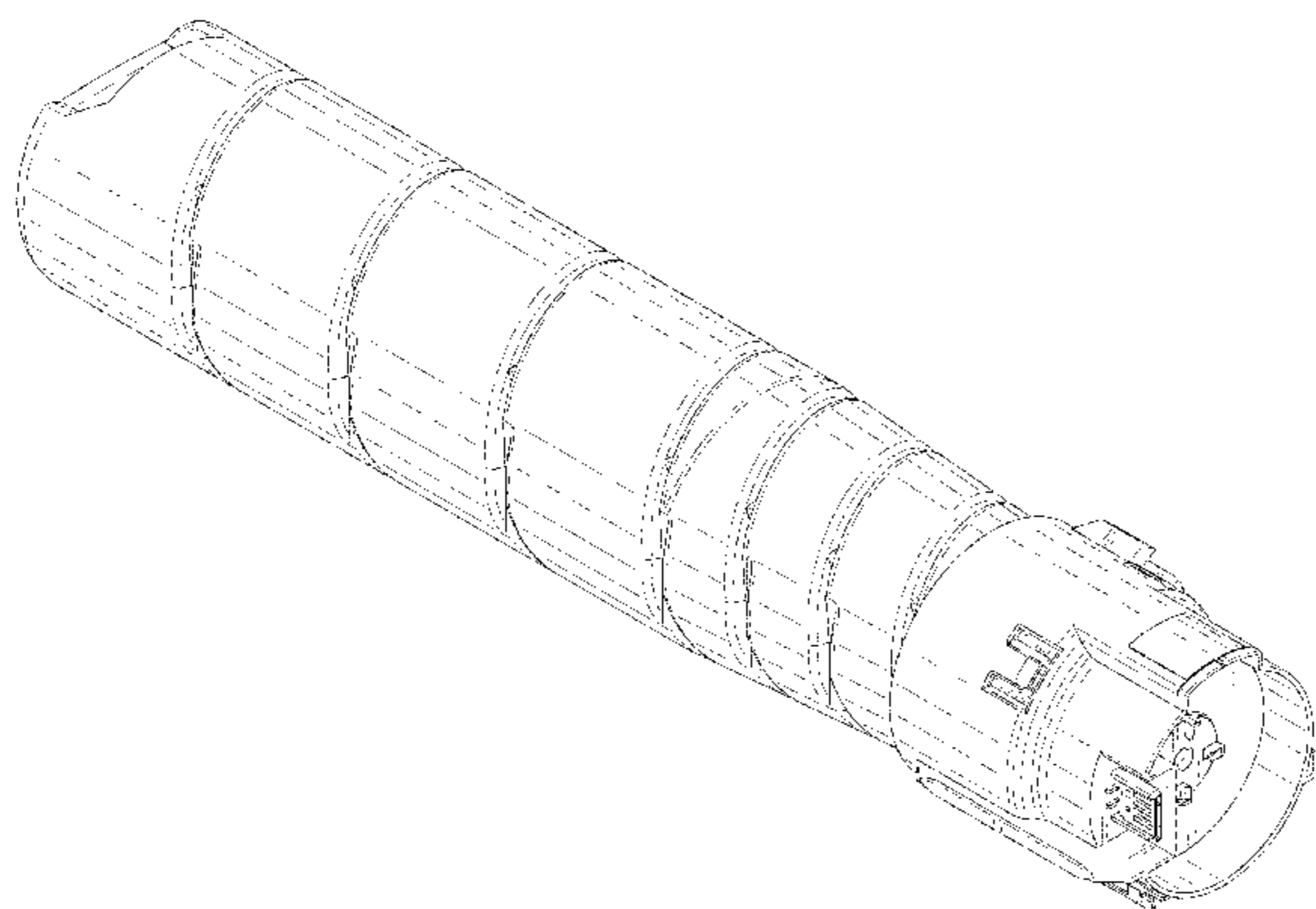
(57) **CLAIM**

The ornamental design for a toner cartridge, as shown and described.

DESCRIPTION

FIG. 1 is a front, right, top perspective view of a toner cartridge showing our new design;
FIG. 2 is a front, left, bottom perspective view thereof;
FIG. 3 is a front view thereof;
FIG. 4 is a rear side view thereof;
FIG. 5 is a left side view thereof;
FIG. 6 is a right side view thereof;
FIG. 7 is a top plan view thereof; and,
FIG. 8 is a bottom plan view thereof.
The broken lines illustrate portions of the toner cartridge that form no part of the claimed design.

1 Claim, 5 Drawing Sheets



(56)

References Cited

U.S. PATENT DOCUMENTS

D599,845 S 9/2009 Kurenuma et al.
 D602,985 S 10/2009 Yoshizawa
 D615,124 S 5/2010 Nakajima et al.
 D615,584 S 5/2010 Jimba et al.
 D622,759 S 8/2010 Yoshida et al.
 D635,188 S * 3/2011 Rommel D19/194
 D636,435 S 4/2011 Naito et al.
 8,005,406 B2 * 8/2011 Hosokawa G03G 15/0886
 399/258
 D655,748 S 3/2012 Takami
 D656,181 S 3/2012 Kikuchi et al.
 D685,841 S 7/2013 Okino et al.
 D689,129 S 9/2013 Okino et al.
 D711,462 S 8/2014 Jimba et al.
 D734,386 S 7/2015 Kikuchi et al.
 9,639,028 B2 5/2017 Horii et al.
 RE46,689 E * 1/2018 Umezawa
 2007/0092302 A1 * 4/2007 Koyama G03G 15/0868
 399/258

2007/0230974 A1* 10/2007 Ohkawa G03G 15/0856
 399/27
 2008/0260432 A1* 10/2008 Ohyama G03G 15/0856
 399/258
 2010/0008698 A1* 1/2010 Ichikawa G03G 15/0872
 399/119
 2010/0129118 A1* 5/2010 Kimura G03G 15/0872
 399/260
 2016/0091825 A1 3/2016 Oba et al.
 2017/0090346 A1 3/2017 Tamazawa et al.

OTHER PUBLICATIONS

Konica Miolta Bizhub 195 . 215 (available online Feb. 20, 2016)
 Retrieved from the internet Aug. 11, 2017, retrieved from the
 Internet URL: <https://www.youtube.com/watch?v=phO5AkEXrQk>.
 Feb. 7, 2018 Office Action issued in U.S. Appl. No. 29/579,177.
 Feb. 22, 2018 Office Action issued in U.S. Appl. No. 29/614,436.

* cited by examiner

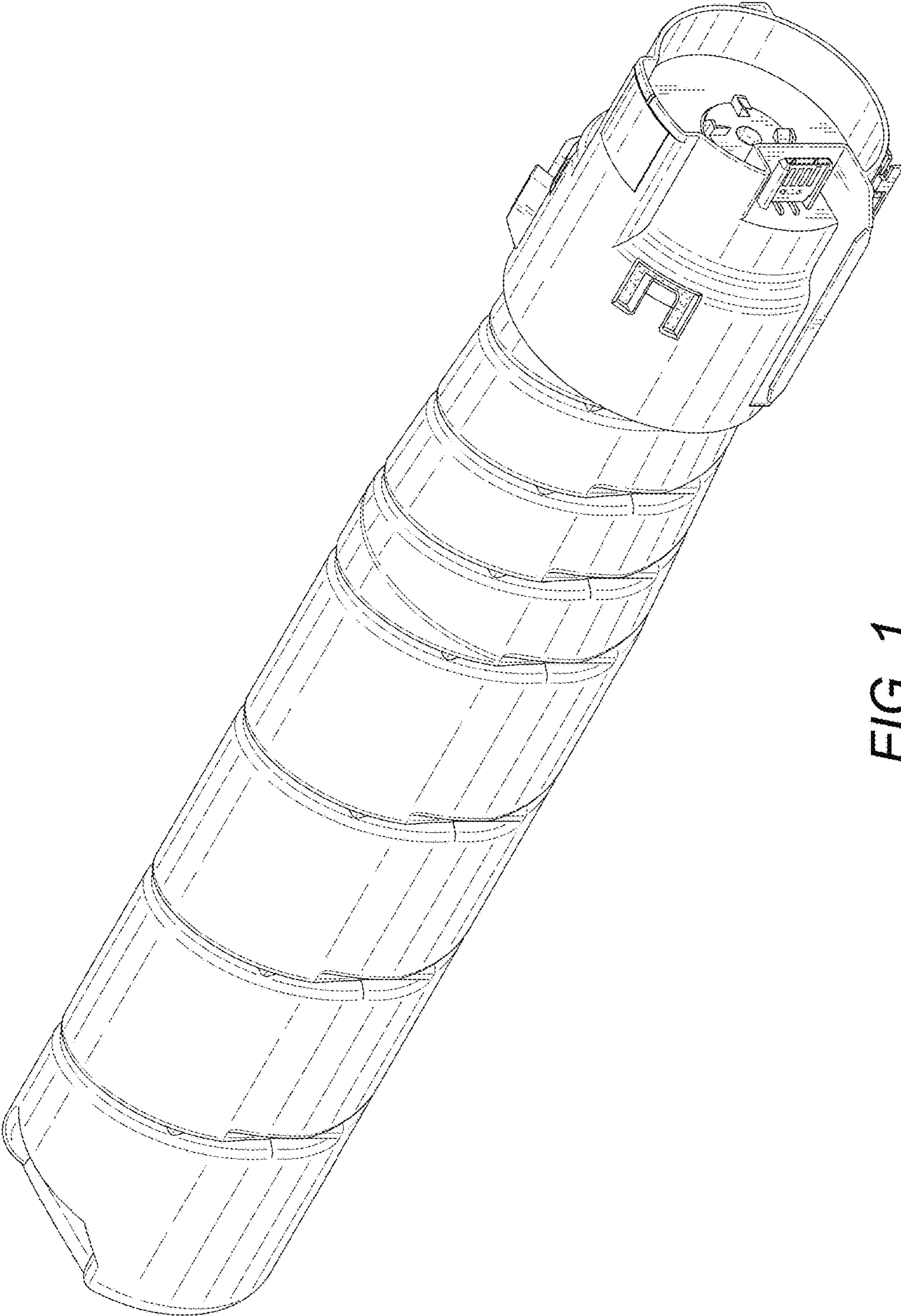


FIG. 1

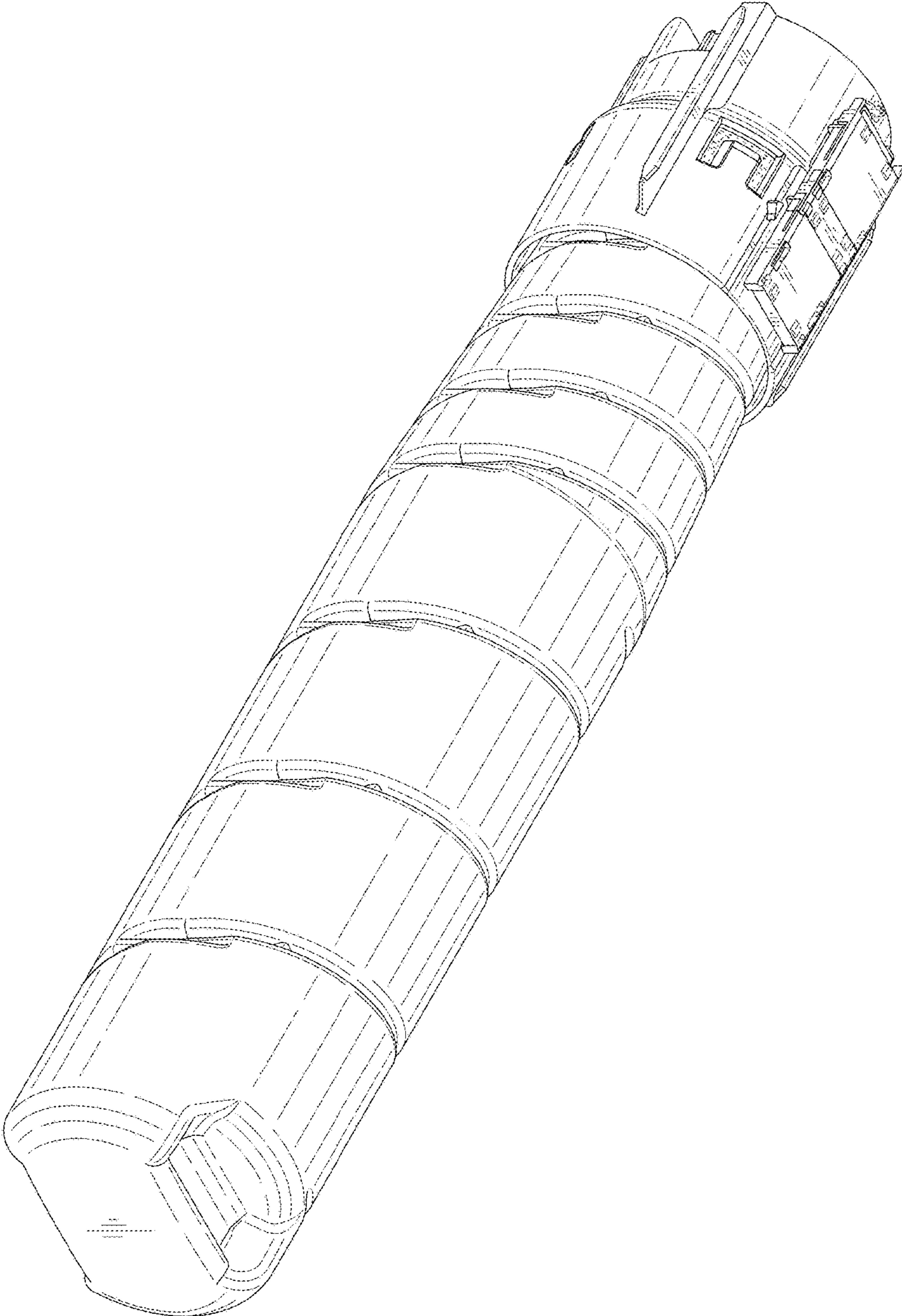


FIG. 2

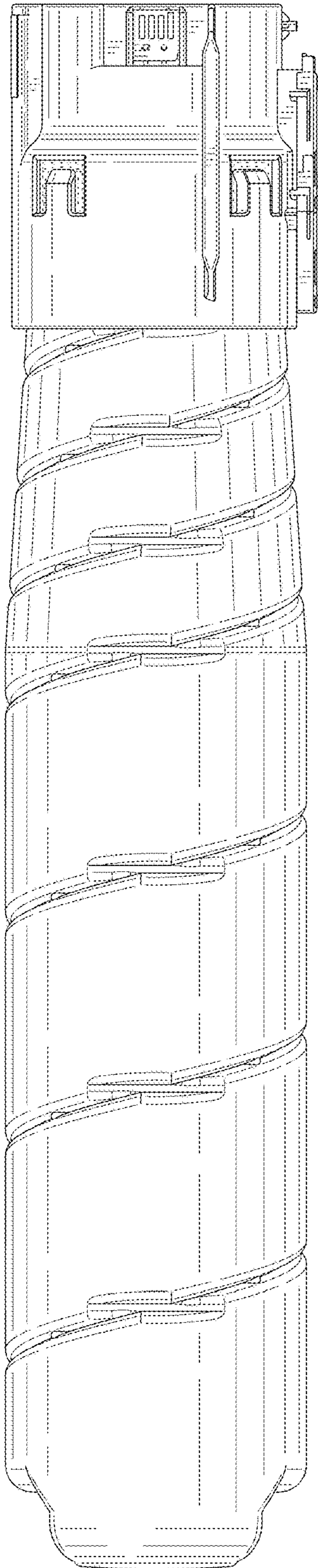


FIG. 3

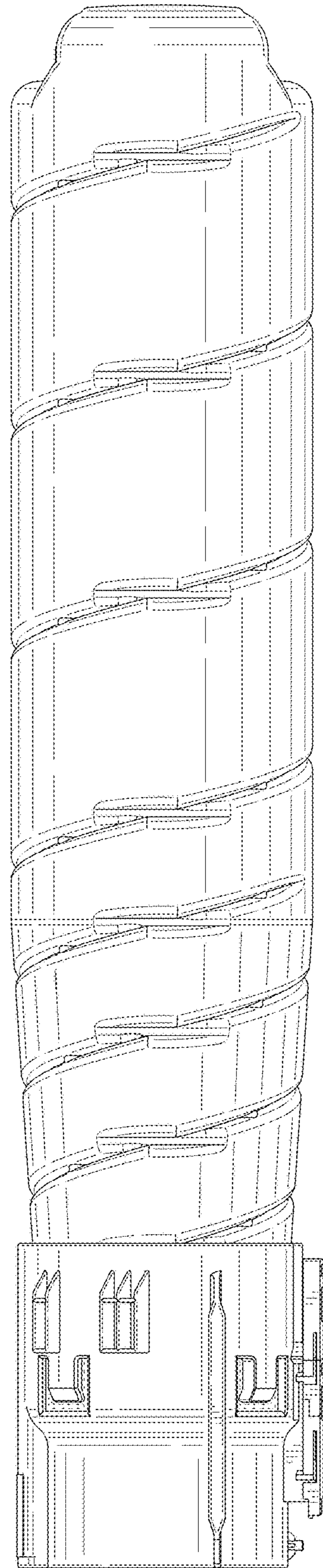


FIG. 4

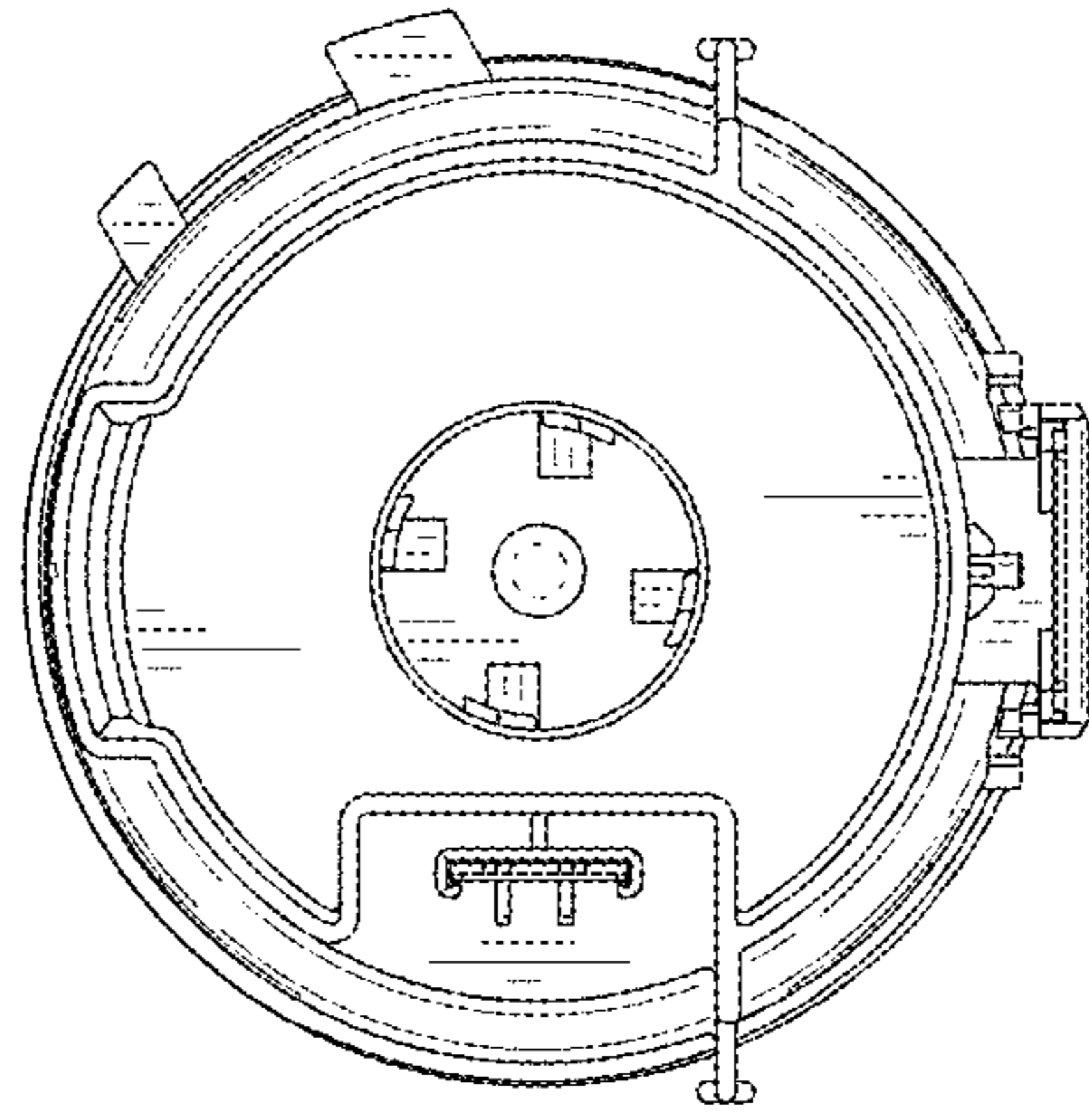


FIG. 6

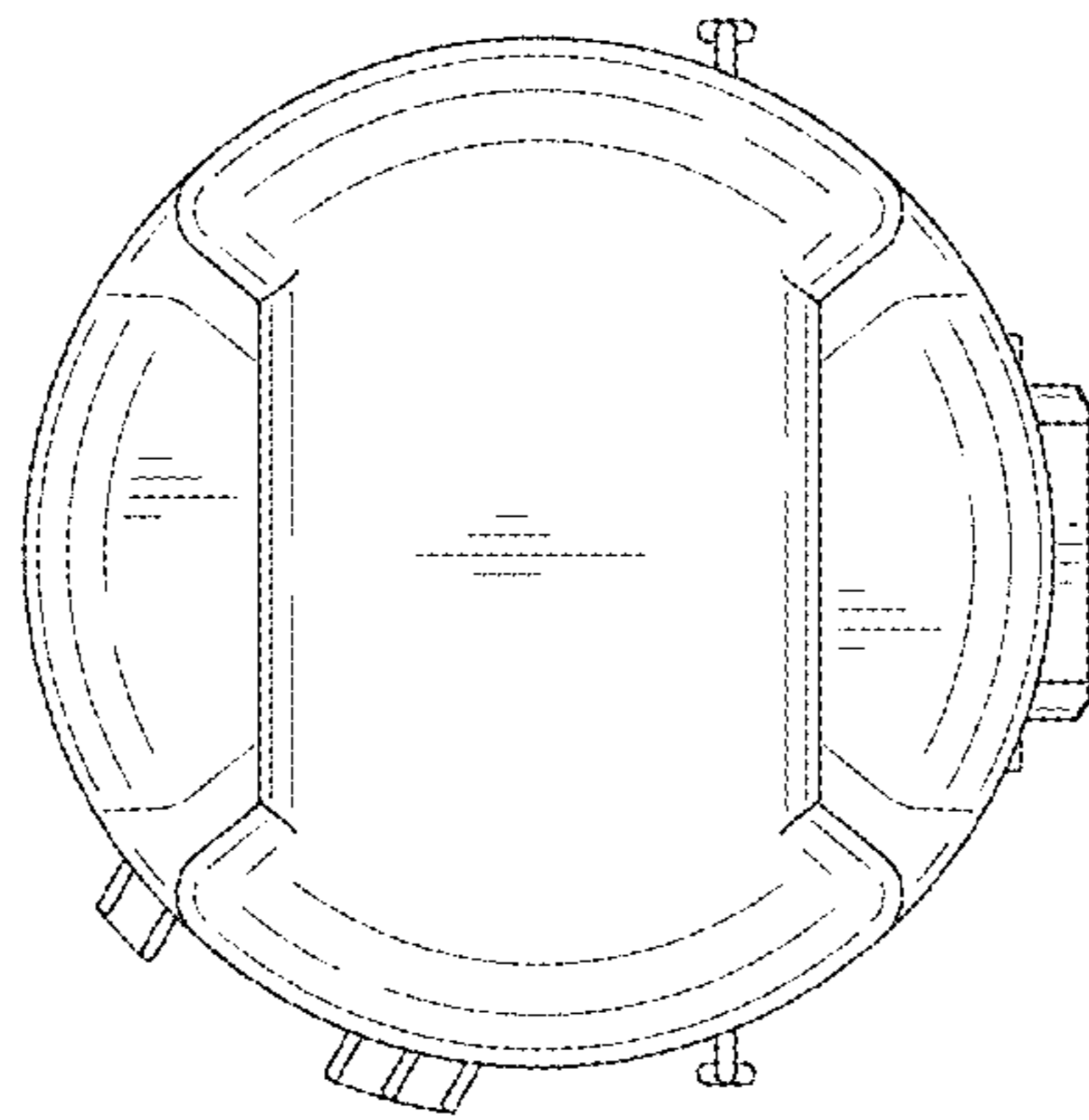


FIG. 5

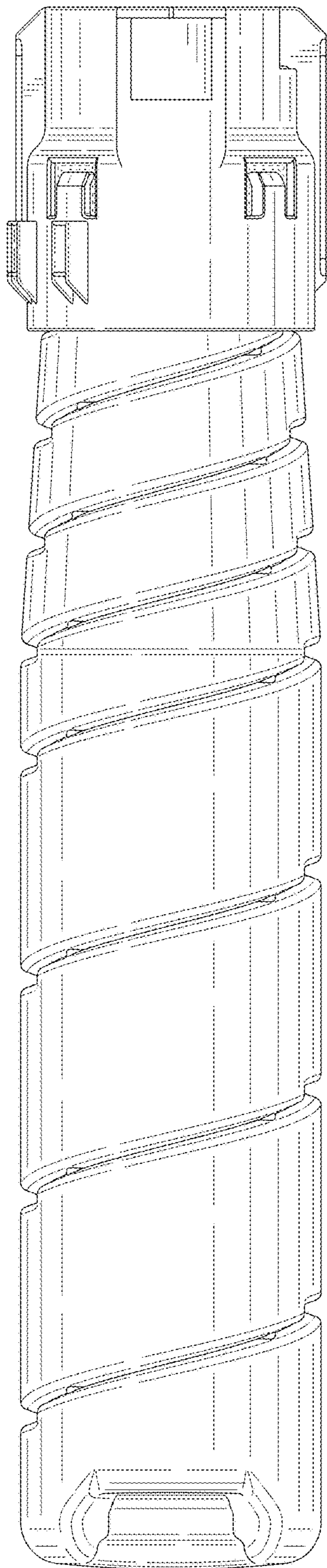


FIG. 7

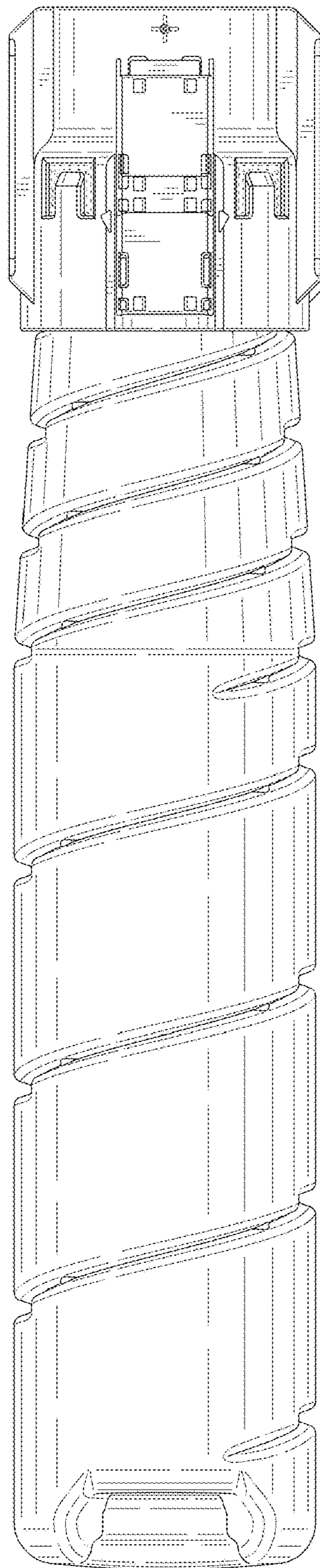


FIG. 8