



US00D829811S

(12) **United States Design Patent** (10) **Patent No.:** **US D829,811 S**  
**Maramotti** (45) **Date of Patent:** **\*\* \*Oct. 2, 2018**

(54) **ELEMENT FOR GLASSES**  
(71) Applicant: **AMSTERMAX B.V.**, Breukelen (NL)  
(72) Inventor: **Luigi Maramotti**, Breukelen (NL)  
(73) Assignee: **MAX MARA INTERNATIONAL**,  
Luxembourg (LU)  
(\* ) Notice: This patent is subject to a terminal disclaimer.  
(\*\* ) Term: **15 Years**  
(21) Appl. No.: **29/551,246**  
(22) Filed: **Jan. 12, 2016**

D625,352 S \* 10/2010 Gonzalez ..... D16/335  
D637,644 S \* 5/2011 Gonzalez ..... D16/321  
D788,210 S \* 5/2017 Maramotti ..... D16/330

**FOREIGN PATENT DOCUMENTS**

EM 002641274-0001 2/2015

**OTHER PUBLICATIONS**

Niles Audio SVC100K Indoor High-Power Sliding Stereo Volume Control, 100 Watts, announced Oct. 2014, [online], [site visited Feb. 14, 2017]. Available from Internet, <URL: <http://www.smarthome.com/niles-audio-svc100k-indoor-high-power-sliding-stereo-volume-control-100-watts.html>>.\*

\* cited by examiner

*Primary Examiner* — Eric L Goodman  
*Assistant Examiner* — Sanjeev Paul  
(74) *Attorney, Agent, or Firm* — Young & Thompson

(30) **Foreign Application Priority Data**  
Jan. 5, 2016 (EM) ..... 002935080-0001  
(51) **LOC (11) Cl.** ..... **16-06**  
(52) **U.S. Cl.**  
USPC ..... **D16/335**  
(58) **Field of Classification Search**  
USPC ..... D16/101, 300–342, 900; D21/483,  
D21/659–661; D14/372; 351/41, 44,  
351/45–48, 51–52, 62, 158, 92, 103–123,  
351/140–153, 63, 59; 2/13, 15, 426–432,  
2/447–449, 441, 434–437  
CPC ..... G02C 2200/08; G02C 1/06; G02C 5/14;  
G02C 11/02; G02C 11/04; G02C 5/16;  
G02C 2200/22; G02C 5/146; G02C  
5/2254; G02C 5/008; G01C 5/16; A61M  
2021/0044; A63B 33/002  
See application file for complete search history.

(57) **CLAIM**

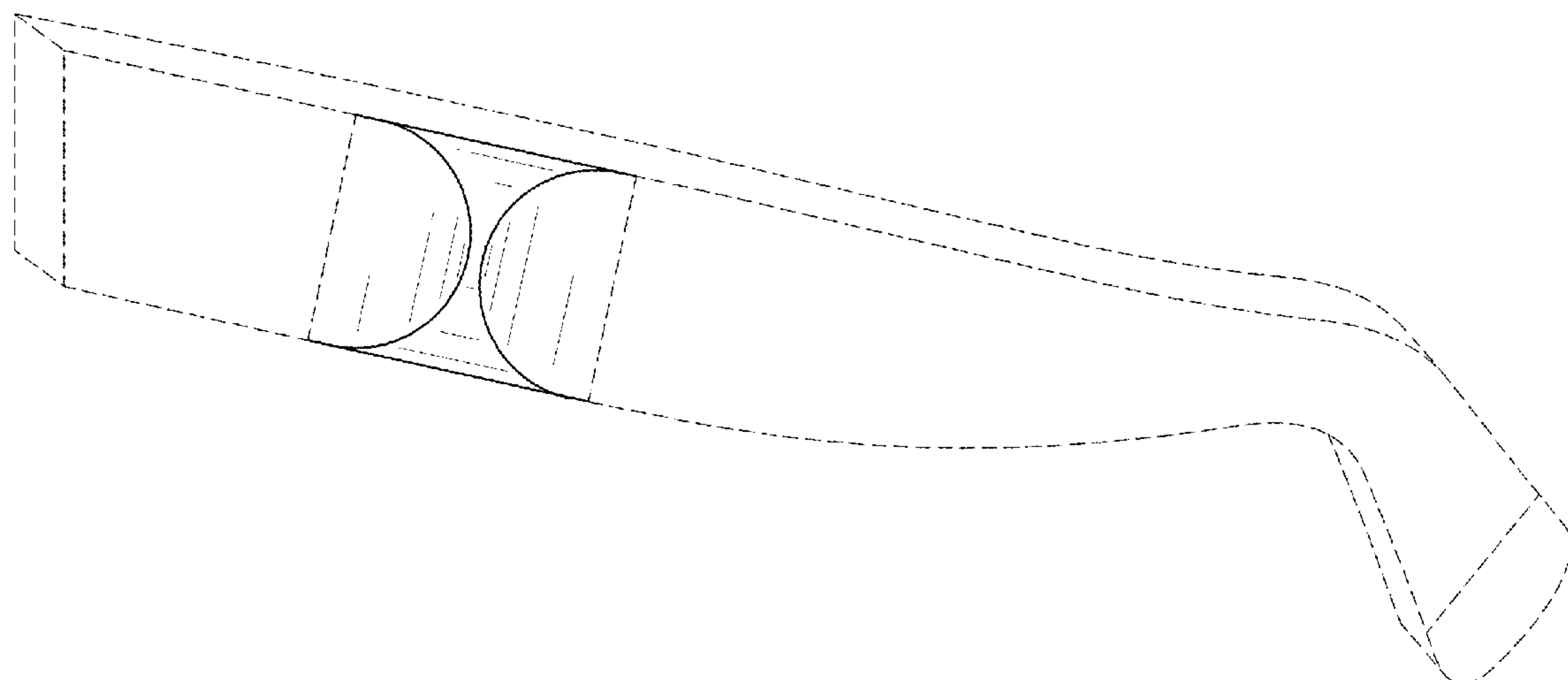
The ornamental design for an element for glasses, as shown and described.

**DESCRIPTION**

FIG. 1 is a front, top perspective view of an element for glasses showing the new design;  
FIG. 2 is a front elevation view thereof;  
FIG. 3 is a rear elevation view thereof;  
FIG. 4 is a right side view thereof;  
FIG. 5 is a left side view thereof;  
FIG. 6 is a top plan view thereof; and,  
FIG. 7 is a bottom plan view thereof.  
The portions of the design shown in broken lines show unclaimed subject matter.

(56) **References Cited**  
**U.S. PATENT DOCUMENTS**  
D516,605 S \* 3/2006 Marc ..... D16/334  
D596,662 S \* 7/2009 Gonzalez ..... D16/323

**1 Claim, 6 Drawing Sheets**



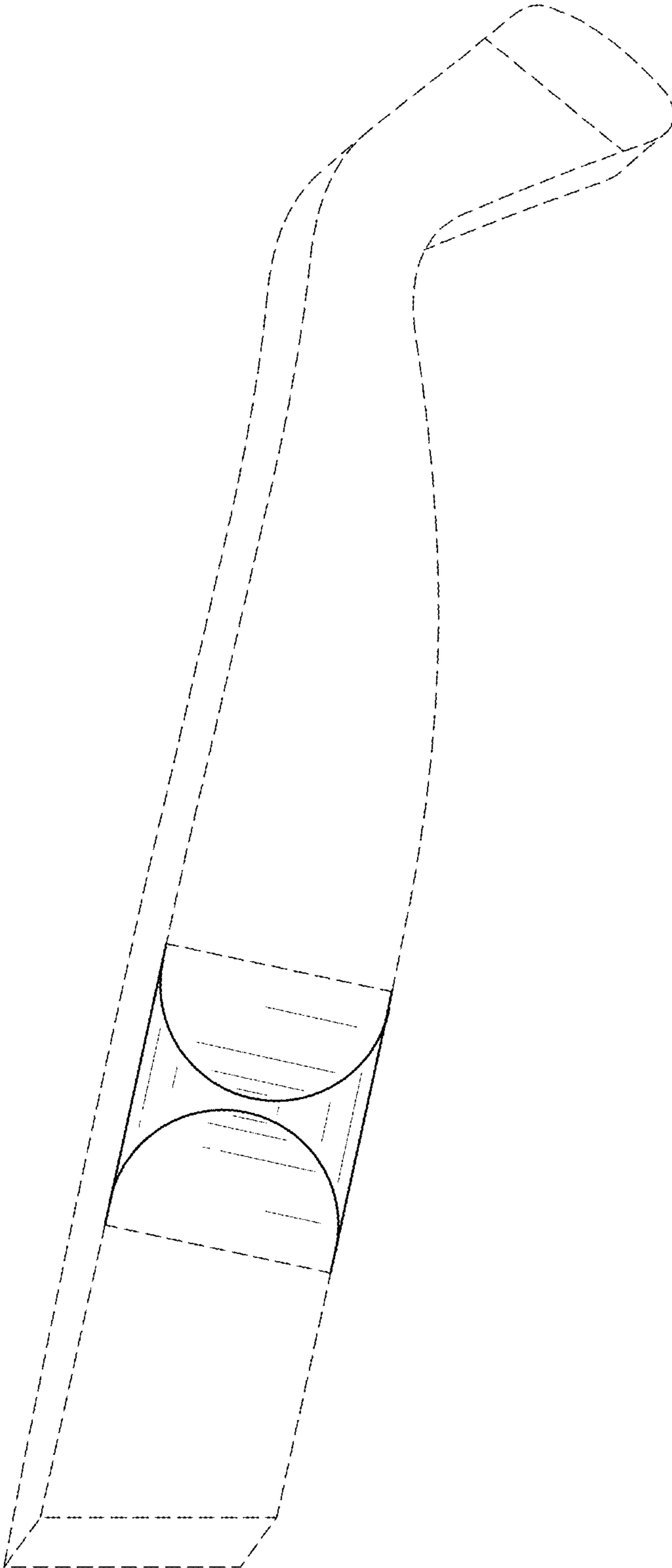


FIG.1

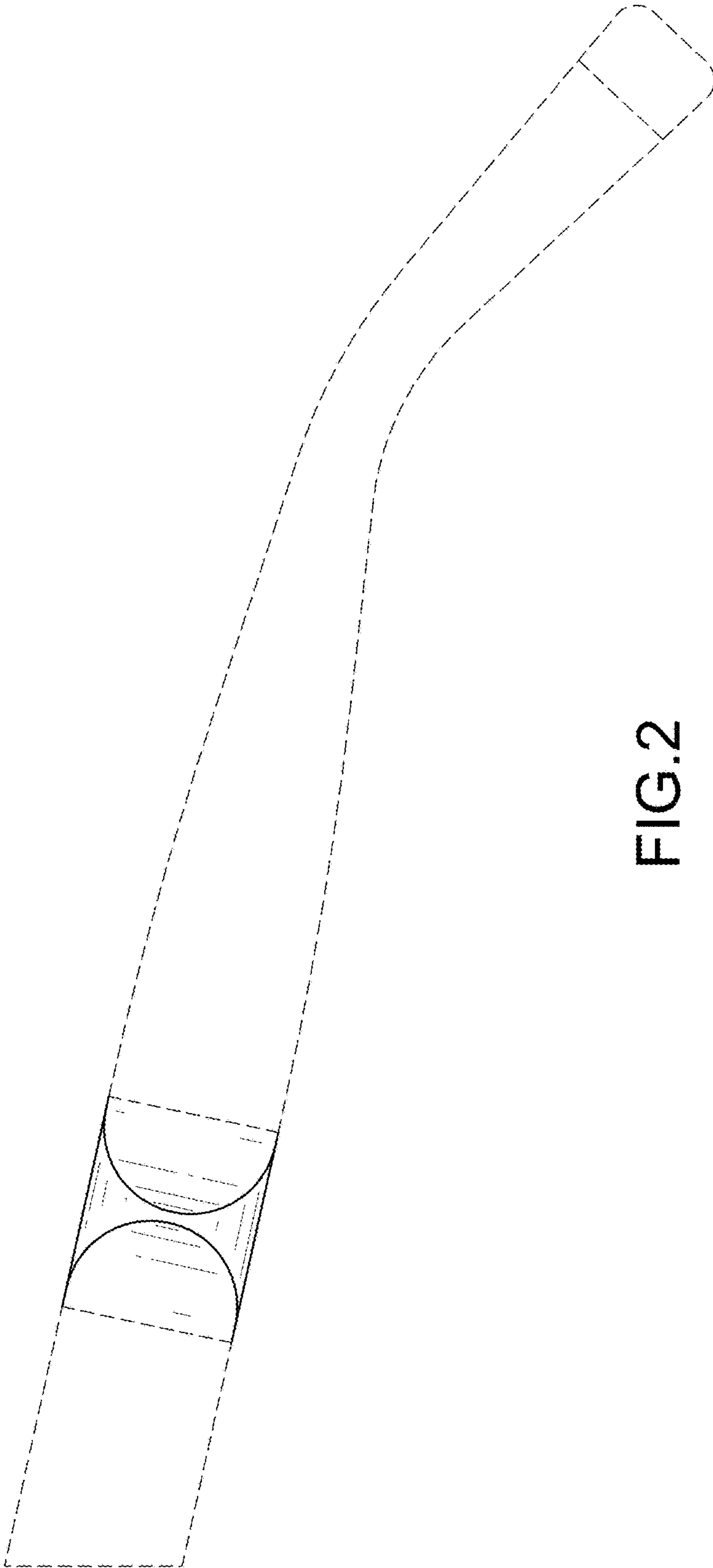


FIG.2

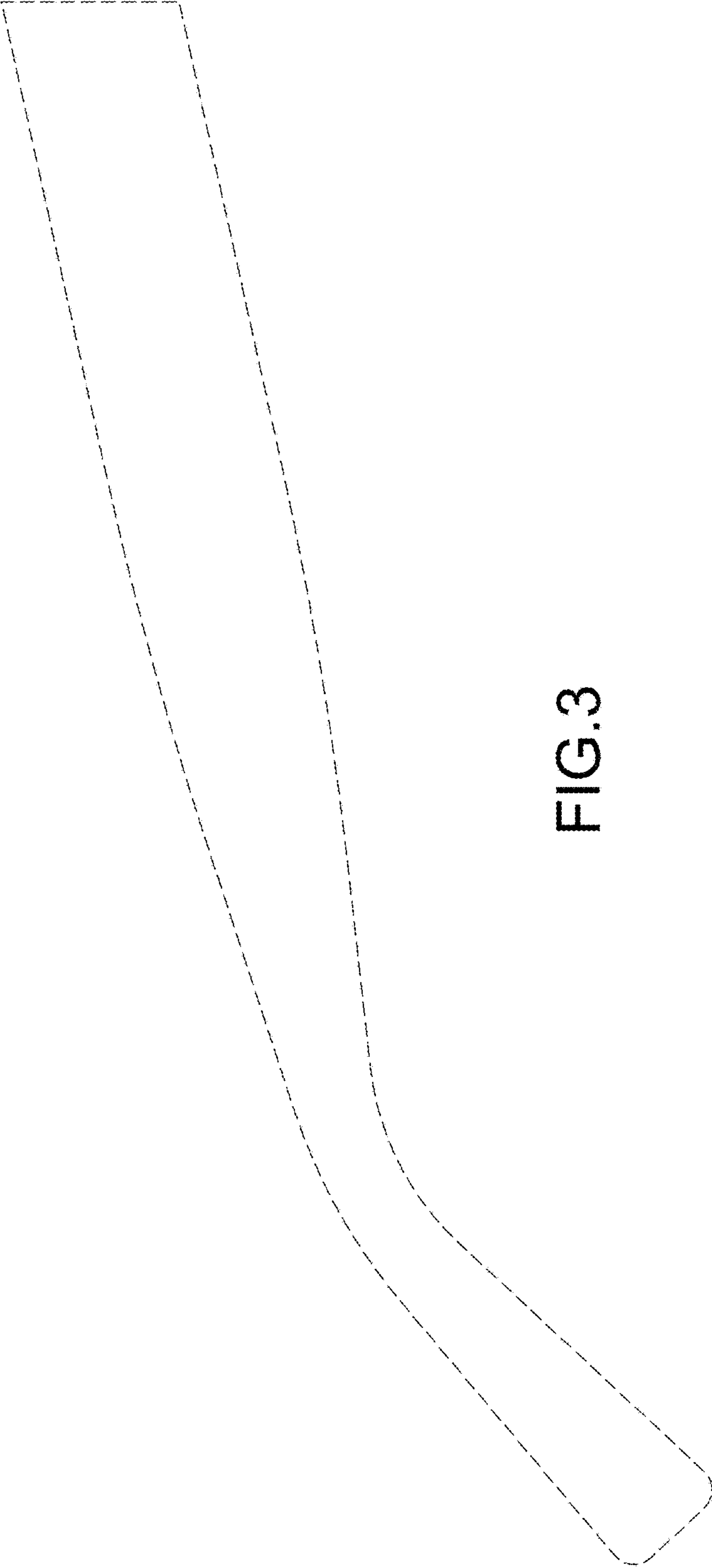


FIG.3

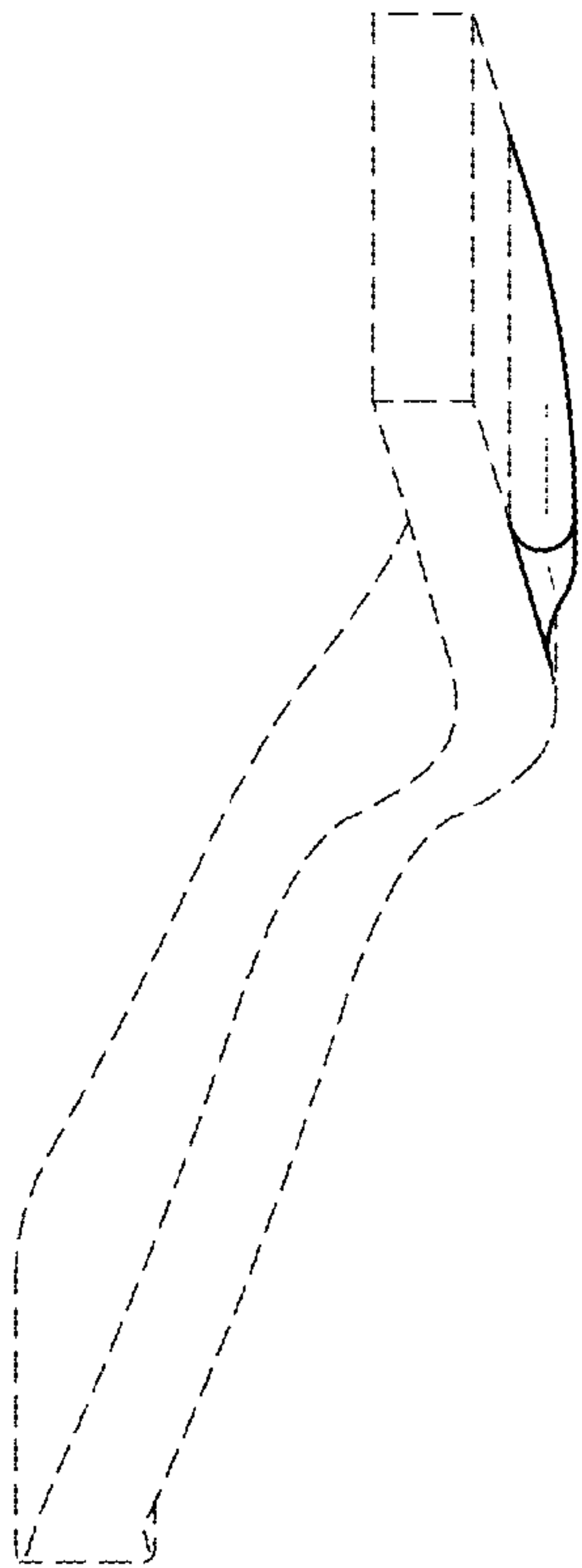


FIG.4

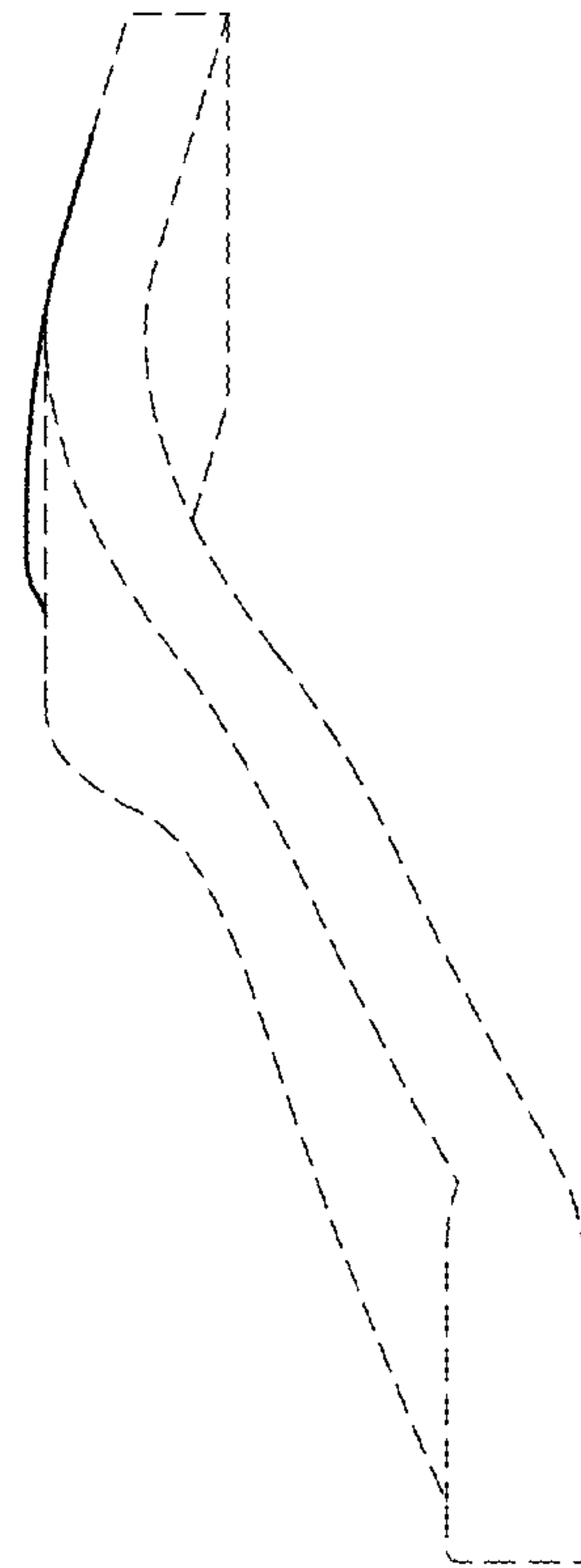


FIG.5

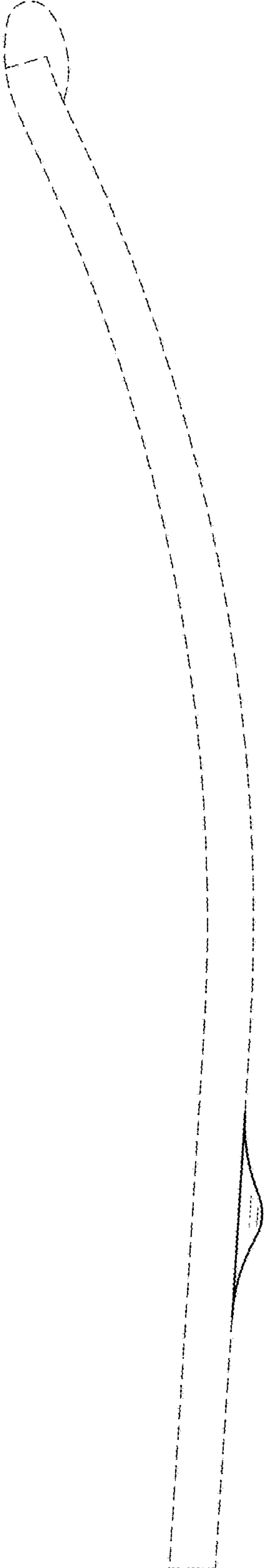


FIG.6

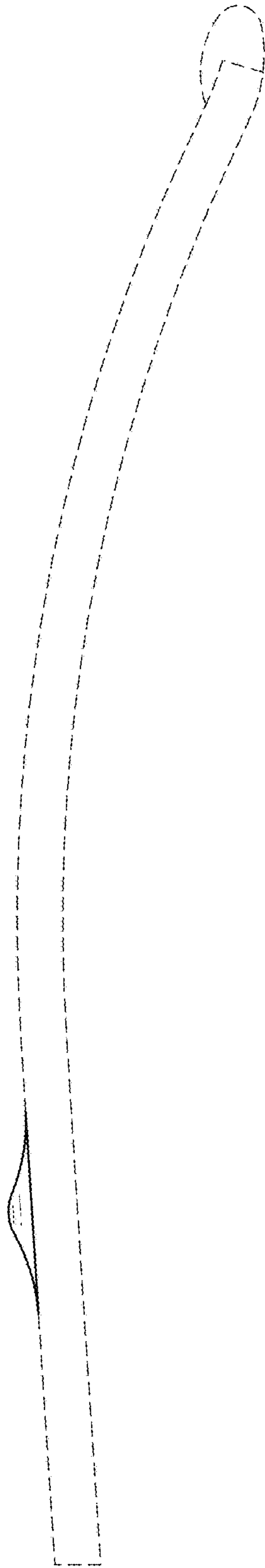


FIG. 7