



US00D829809S

(12) **United States Design Patent**  
**Harrison et al.**

(10) **Patent No.:** **US D829,809 S**  
(45) **Date of Patent:** **\*\* Oct. 2, 2018**

(54) **CAMERA MOUNT**

(71) Applicant: **GoPro, Inc.**, San Mateo, CA (US)

(72) Inventors: **Ryan Harrison**, Walpole, NH (US);  
**Ross Thayer**, San Jose, CA (US);  
**Arthur Kwun**, Newark, CA (US);  
**Mark E. Costa**, Menlo Park, CA (US)

(73) Assignee: **GoPro, Inc.**, San Mateo, CA (US)

(\*\*) Term: **15 Years**

(21) Appl. No.: **29/610,474**

(22) Filed: **Jul. 12, 2017**

**Related U.S. Application Data**

(63) Continuation of application No. 29/561,955, filed on Apr. 21, 2016, now Pat. No. Des. 800,205, which is a continuation of application No. 29/525,956, filed on May 5, 2015, now Pat. No. Des. 757,842.

(51) **LOC (11) Cl.** ..... **16-05**

(52) **U.S. Cl.**

USPC ..... **D16/245**

(58) **Field of Classification Search**

USPC ..... D16/219, 237-250; D14/224, 229, 238,  
D14/251, 447, 451, 457; D8/354, 355,  
D8/363, 373, 382, 383, 394, 395, 396

CPC ..... G03B 17/56; G03B 17/561-17/568; G02B  
7/00-7/002; H04N 5/2253-5/2254; F16M  
11/06-11/10; F16M 11/14; A45F 5/10

See application file for complete search history.

(56) **References Cited**

**U.S. PATENT DOCUMENTS**

D209,013 S 10/1967 McElroy  
D366,887 S 2/1996 Wood  
D372,189 S 7/1996 Andis et al.  
D373,947 S 9/1996 Parduhn  
D395,996 S 7/1998 Fischer

D399,230 S 10/1998 Tenne  
5,842,069 A 11/1998 Konno  
5,887,375 A 3/1999 Watson  
6,315,180 B1 11/2001 Watkins  
6,654,235 B2 11/2003 Imsand

(Continued)

**FOREIGN PATENT DOCUMENTS**

EP 0845399 A2 6/1998

**OTHER PUBLICATIONS**

Session Quick Release Buckle. [online] Published on Jan. 8, 2017. Retrieved Apr. 24, 2018 from URL: <http://wetgill.com/?p=Product&id=703>.\*

(Continued)

*Primary Examiner* — Vy N Koenig

(74) *Attorney, Agent, or Firm* — Young Basile Hanlon & MacFarlane, P.C.

(57) **CLAIM**

The ornamental design for a camera mount, as shown and described.

**DESCRIPTION**

FIG. 1 is a front, top, and right side perspective view of a camera mount;

FIG. 2 is a rear, bottom, and left side perspective view thereof;

FIG. 3 is a front elevational view thereof;

FIG. 4 is a rear elevational view thereof;

FIG. 5 is a left side elevational view thereof;

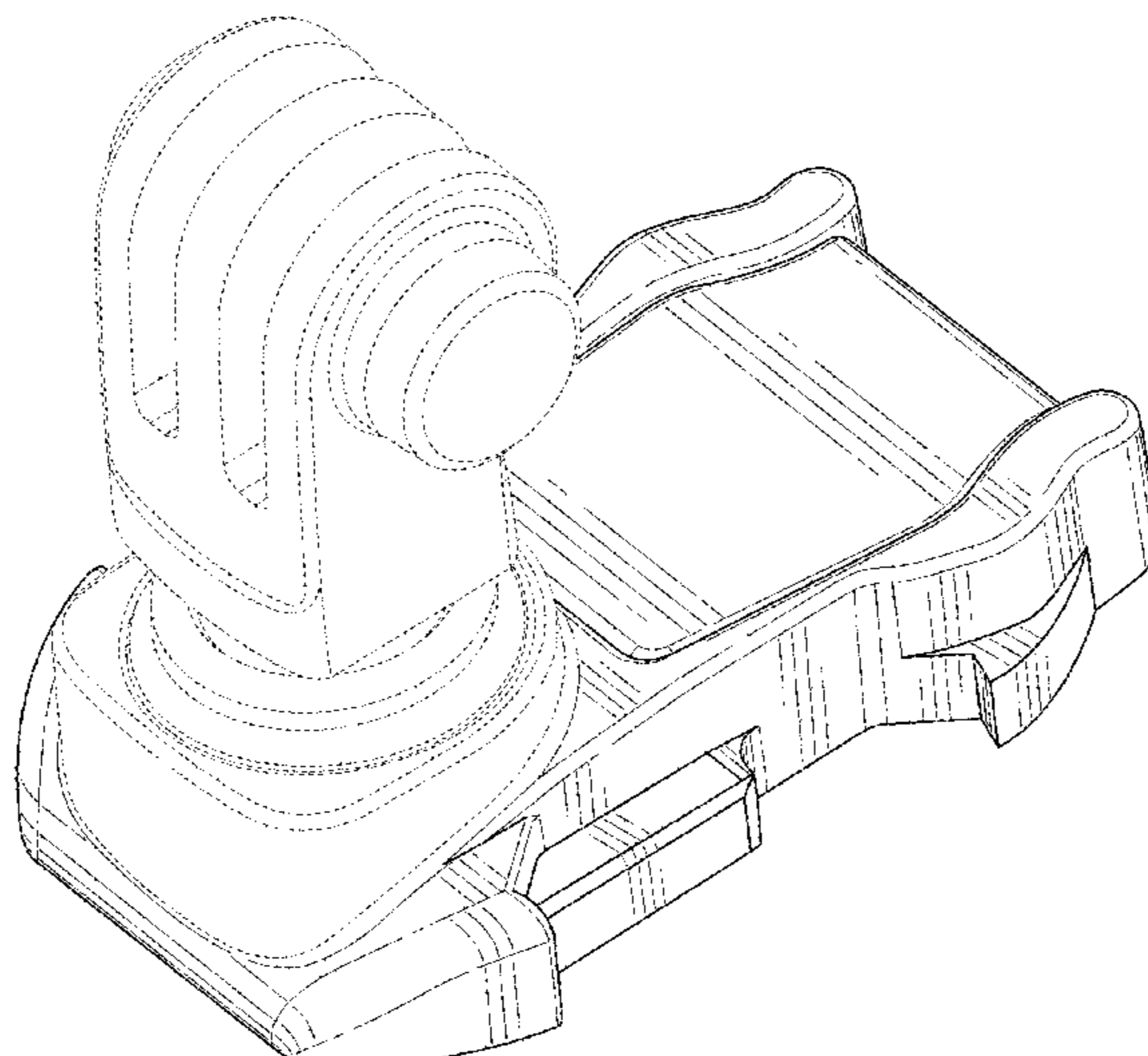
FIG. 6 is a right side elevational view thereof;

FIG. 7 is a top plan view thereof; and,

FIG. 8 is a bottom plan view thereof.

The broken lines in the drawings are included for the purpose of illustrating environmental structure and form no part of the claimed design.

**1 Claim, 8 Drawing Sheets**



(56)

References Cited

U.S. PATENT DOCUMENTS

D483,789	S	12/2003	Dordick	
D506,493	S	6/2005	Naito	
D602,974	S	10/2009	Zen	
D616,286	S	5/2010	Foresman	
D631,081	S	1/2011	Richter	
D635,445	S	4/2011	Foresman	
8,014,656	B2	9/2011	Woodman	
D649,576	S	11/2011	Jannard et al.	
8,199,251	B2	6/2012	Woodman	
8,325,270	B2	12/2012	Woodman	
D675,661	S	2/2013	Jannard et al.	
D710,927	S *	8/2014	Eynav .....	D16/237
D717,360	S *	11/2014	Chun .....	D16/244
D722,864	S	2/2015	Greenthal	
D722,865	S	2/2015	Greenthal	
9,004,783	B1	4/2015	Woodman et al.	
9,033,596	B2	5/2015	Samuels	
D757,842	S	5/2016	Harrison et al.	
D758,473	S	6/2016	Costa et al.	
D759,147	S	6/2016	Harrison et al.	
9,426,341	B1	8/2016	Baldrige	
D776,745	S	1/2017	Bennett et al.	
D776,746	S	1/2017	Bennett et al.	
9,554,639	B1	1/2017	Harden	
D780,827	S *	3/2017	Costa .....	D16/242
9,588,407	B1 *	3/2017	Harrison .....	G03B 17/561
9,596,926	B1	3/2017	Volmer	
D789,178	S *	6/2017	Carnevali .....	D8/354
D800,204	S *	10/2017	Harrison .....	D16/242
D800,205	S *	10/2017	Harrison .....	D16/242
D800,822	S *	10/2017	Costa .....	D16/242
D814,266	S *	4/2018	Carnevali .....	D8/354
D814,549	S *	4/2018	Carnevali .....	D16/242
2013/0107111	A1	5/2013	Campbell et al.	
2014/0027591	A1	1/2014	Fountain	
2015/0316205	A1	11/2015	Bennett et al.	
2017/0108759	A1	4/2017	Clearman	
2017/0108760	A1	4/2017	Achenbach	

OTHER PUBLICATIONS

J-Hook Buckle Mount Quick Release Buckle 360° Rotation. [online] Published Apr. 17, 2014. Retrieved Apr. 24, 2018 from URL: [https://www.miniinthebox.com/p/telesin-360-degree-rotary-j-shape-fast-assembling-mount-buckle-for-gopro-hd-hero-2-3-3\\_p1278233.html](https://www.miniinthebox.com/p/telesin-360-degree-rotary-j-shape-fast-assembling-mount-buckle-for-gopro-hd-hero-2-3-3_p1278233.html).\*

GoPro Head Strap+QuickClip Kopfbandhalterung. [online] Retrieved May 16, 2017 from URL: <https://www.bikecomponents.de/en/GoPro/HeadStrapQuickClipKopfbandhalterungp37358/>.

Polaroid 2x Vertical Surface J-hook Buckle Mount for GoPro HERO4, 3+ and 3 Cameras, [online] Retrieved May 16, 2017 from URL: <https://www.adorama.com/ipdgp2jhb.html>.

Polaroid Quick Release Buckle Mount for GoPro HERO4, 3+ and 3 Cameras, 2 Pack, [online] Retrieved May 16, 2017 from URL: <https://www.adorama.com/ipdgp2bm.html?gclid=CNnnhIHc9NMCFRGHswodKWQCeg>.

Andorama, "Polaroid 2x Vertical Surface J-hook Buckle Mount for GoPro HERO4, 3+ and 3 Cameras," Date Unknown, two pages, [online] [Retrieved on May 16, 2017] Retrieved from the internet <URL:<https://www.adorama.com/ipdgp2jhb.html>>.

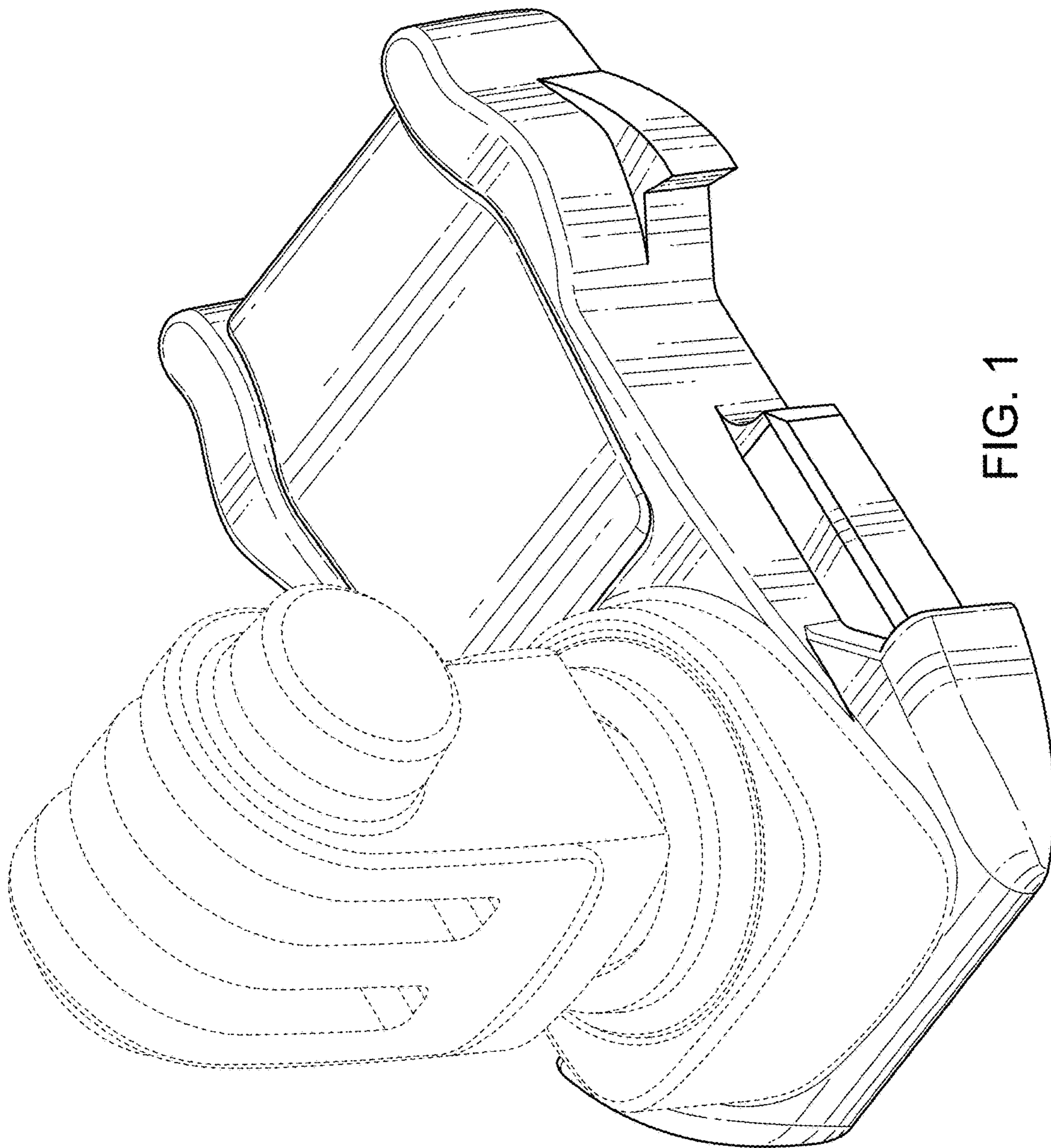
Andorama, "Polaroid Quick Release Buckle Mount for GoPro HERO4, 3+ and 3 Cameras, 2 Pack," Date Unknown, two pages, [online] [Retrieved on May 16, 2017] Retrieved from the internet <URL:<https://www.adorama.com/ipdgp2bm.html?gclid=CNnnhIHc9NMCFRGHswodKWQCeg>>.

Bike-Components, "GoPro Head Strap+QuickClip Kopfbandhalterung," Date Unknown, two pages, [online] [Retrieved on May 16, 2017] Retrieved from the internet <URL:<http://www.bikecomponents.de/en/GoPro/HeadStrapQuickClipKopfbandhalterungp37358/>>.

GoPro, Inc., "Grab Bag of Mounts," 2014, 2 Pages, [online][Archived on [web.archive.org](http://web.archive.org) on Mar. 29, 2014][Retrieved on Aug. 31, 2015] Retrieved from the internet <URL:<https://web.archive.org/web/20140329112413/http://gopro.com/camera-mounts/grab-bag-of-mounts#features>>.

PCT International Search Report for Written Opinion for PCT/US2013/062061, dated Mar. 3, 2014, 15 Pages.

\* cited by examiner



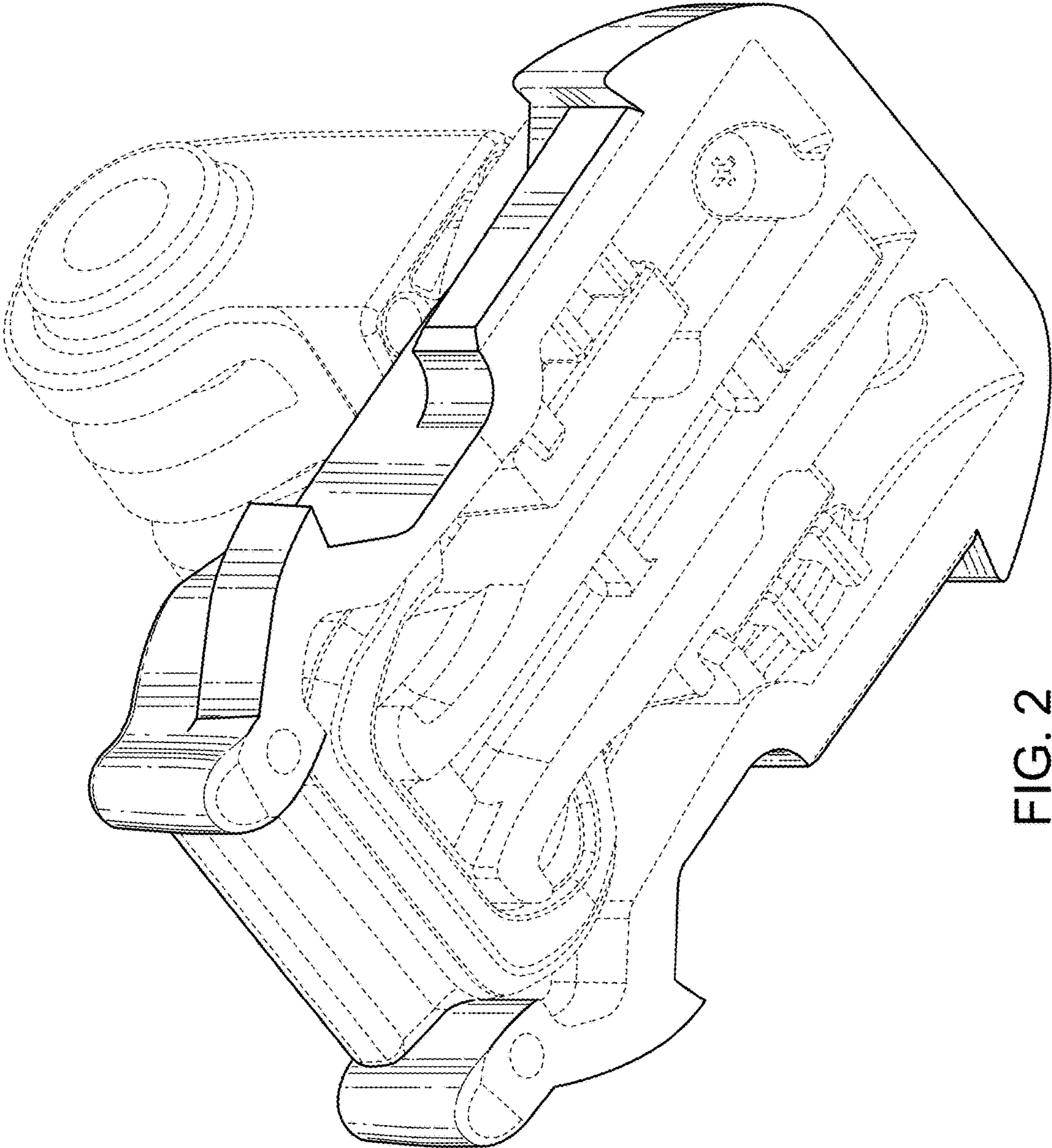


FIG. 2

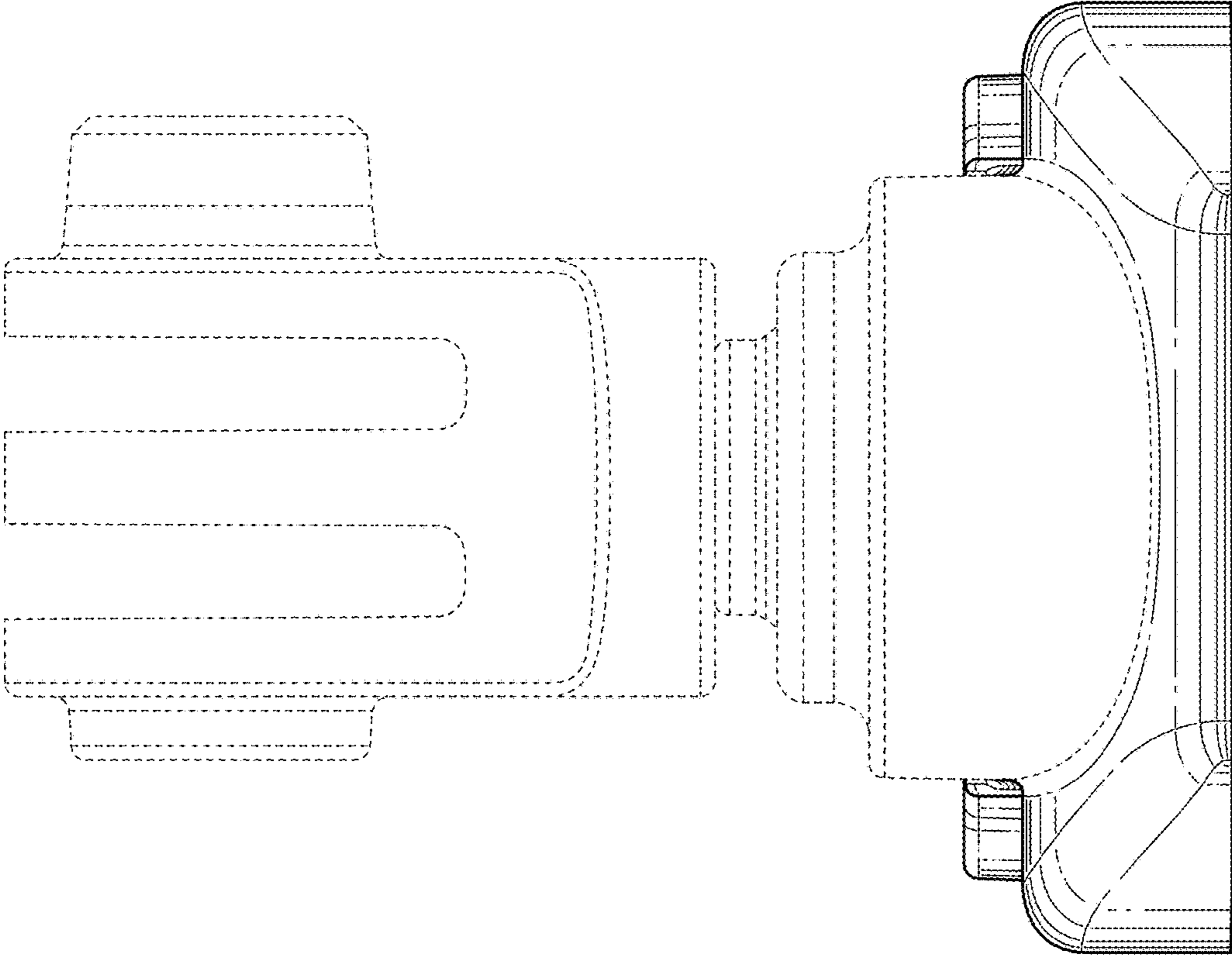


FIG. 3

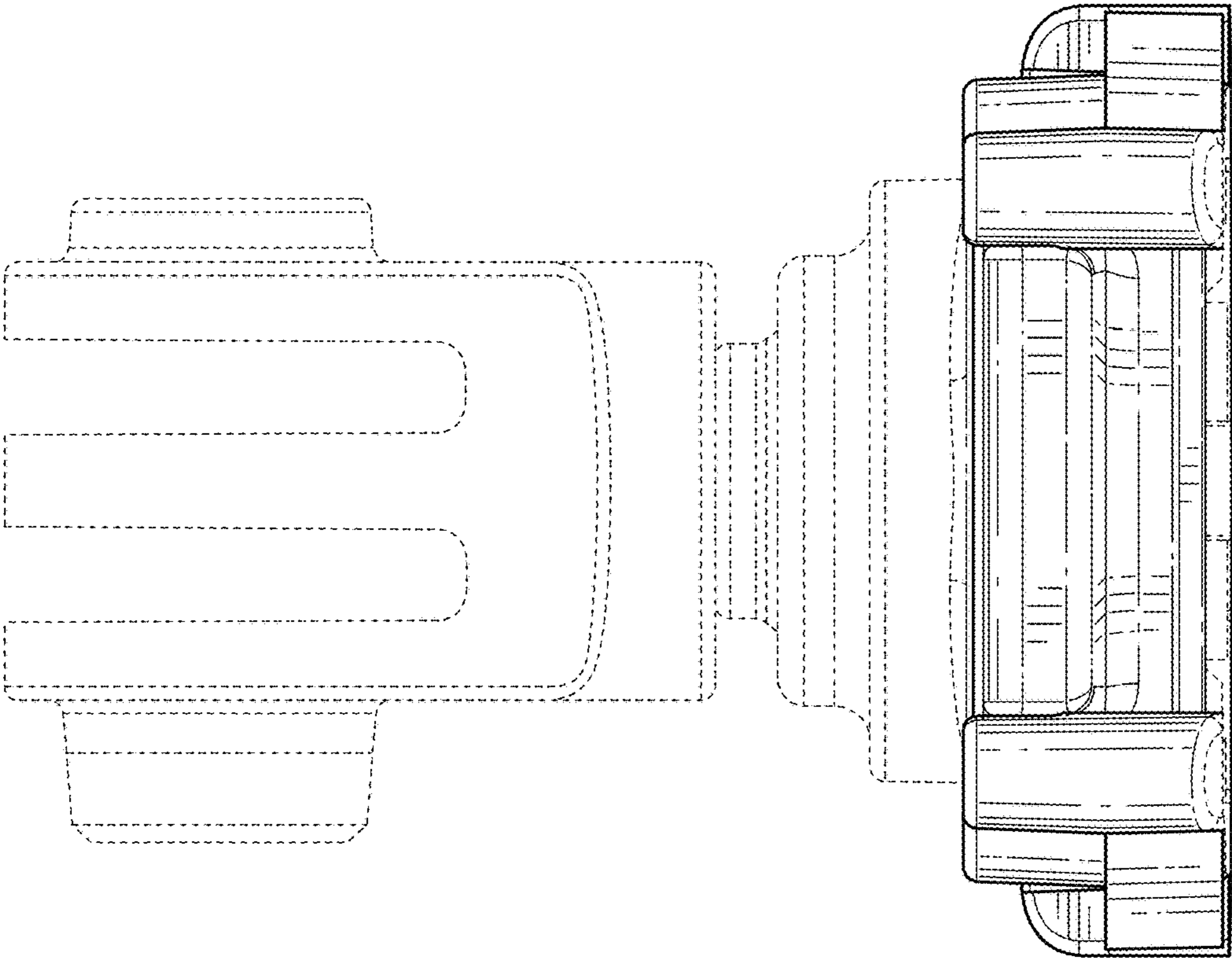


FIG. 4

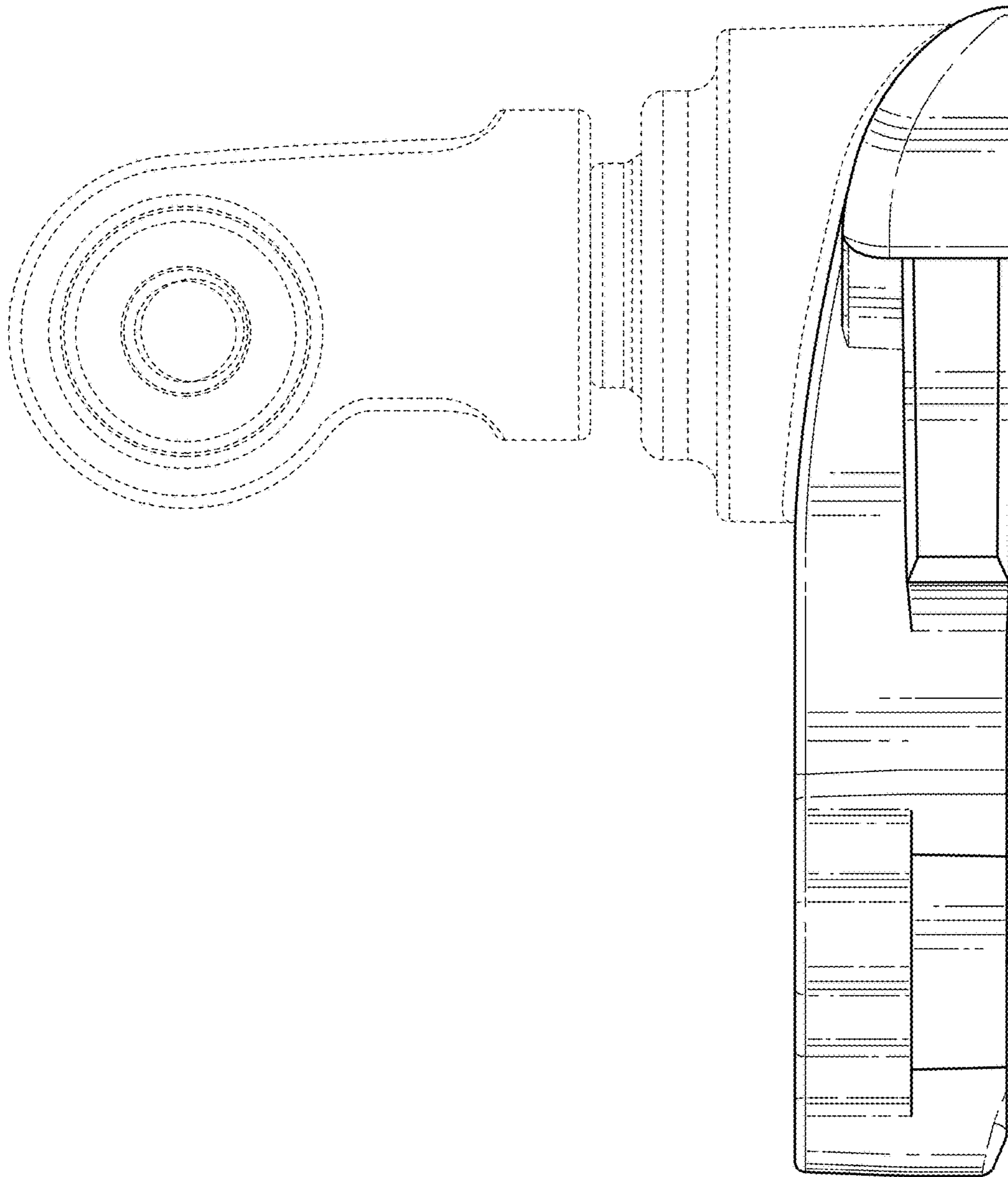


FIG. 5

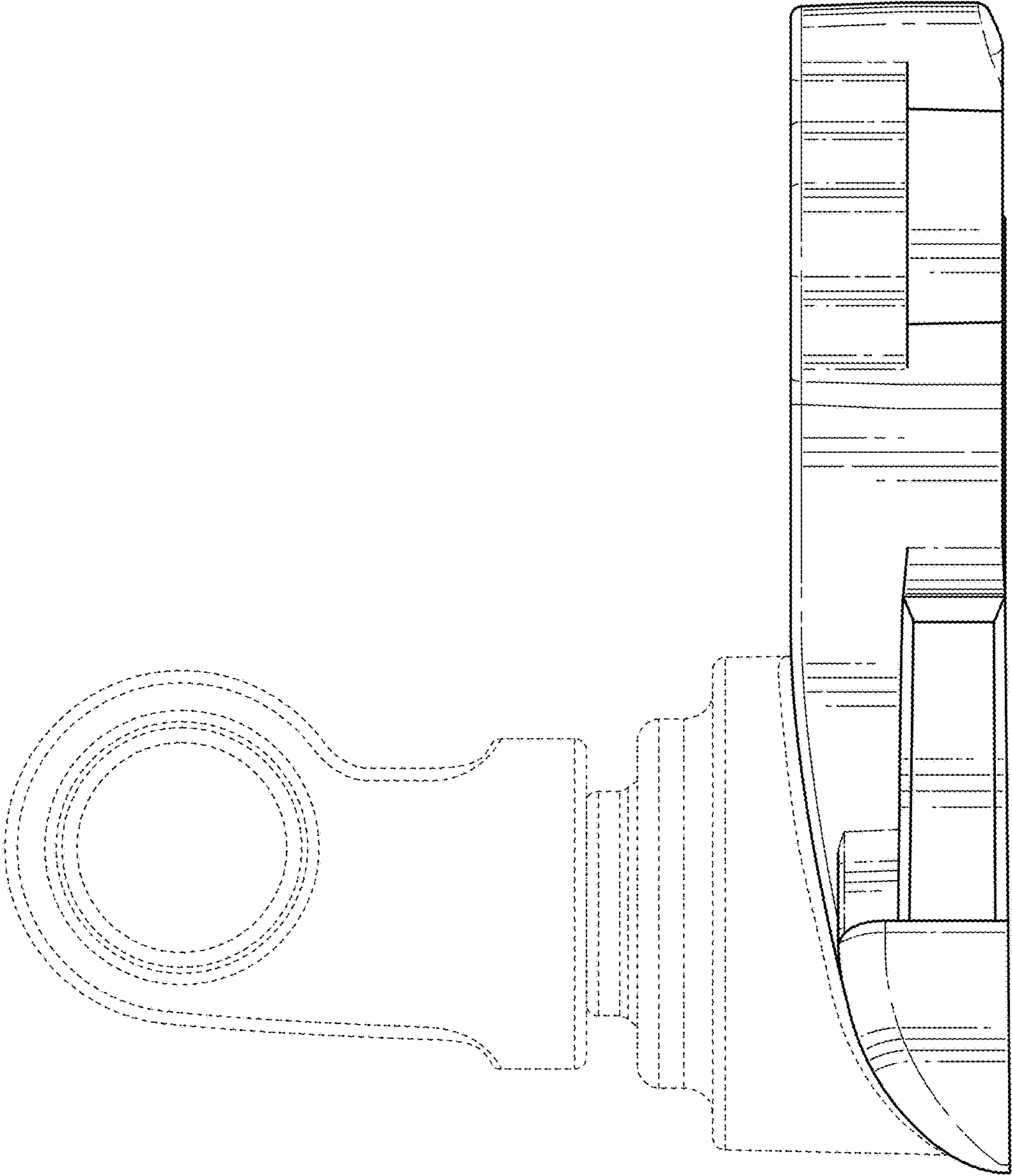


FIG. 6



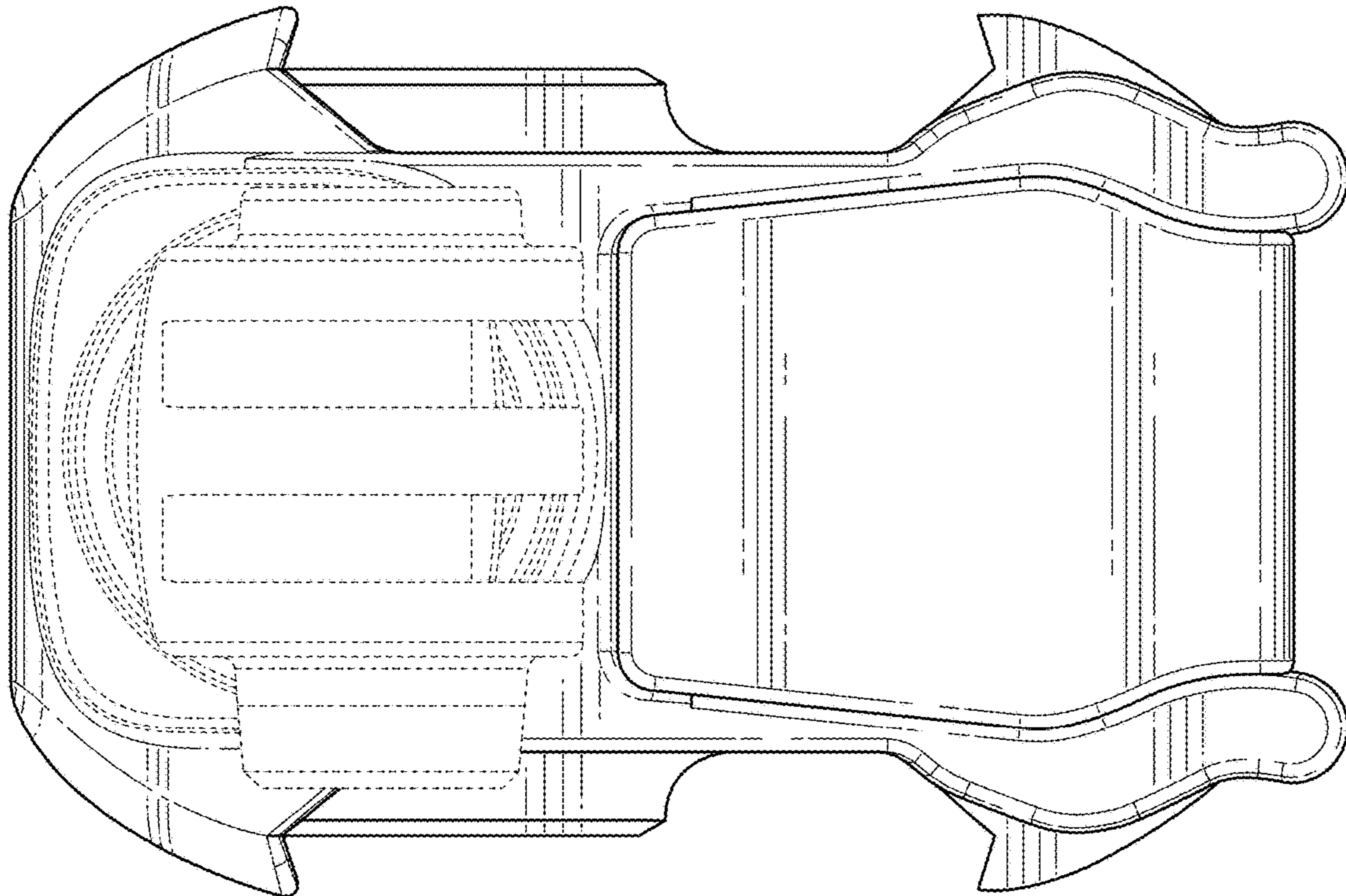


FIG. 7

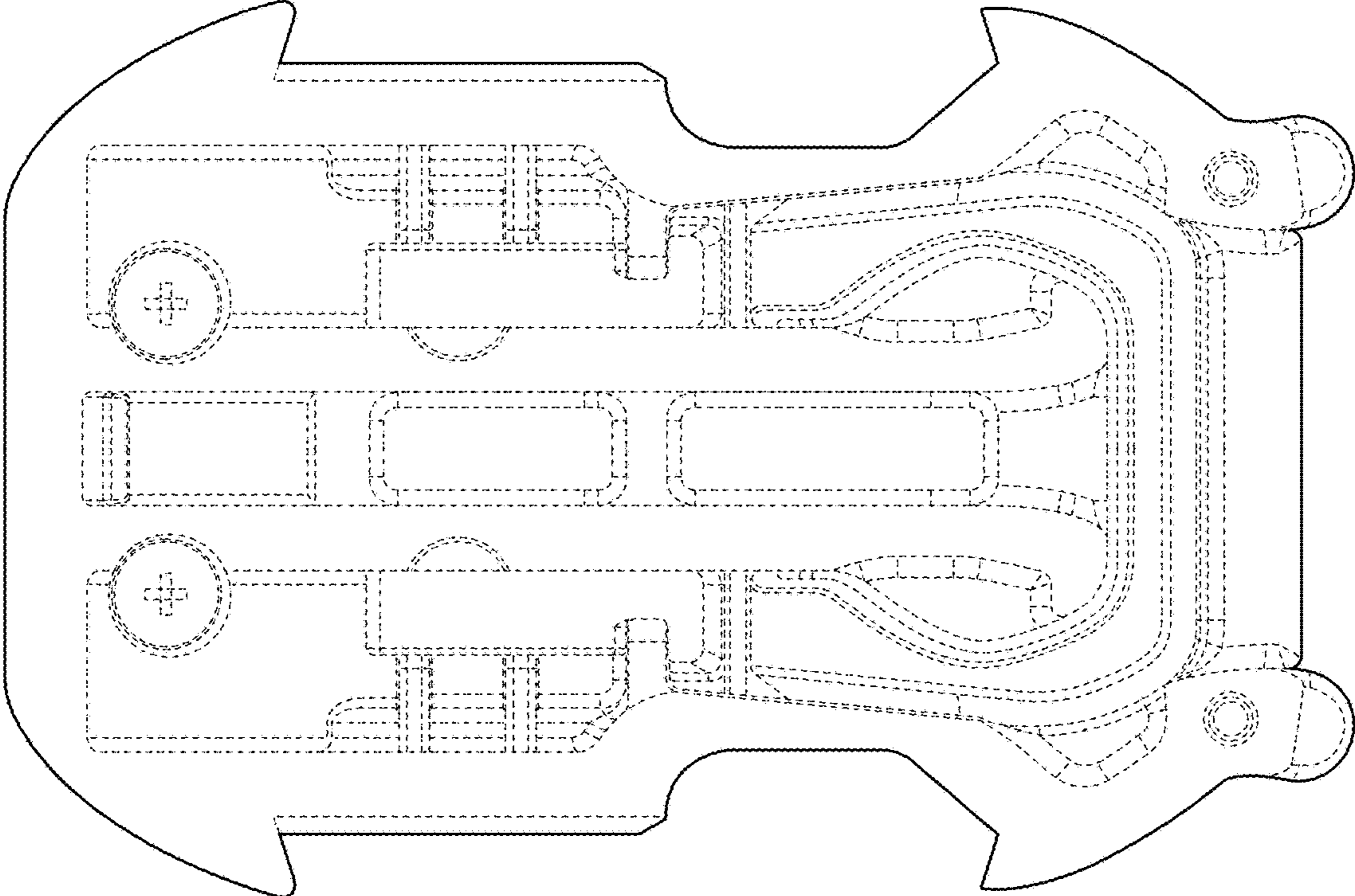


FIG. 8