



US00D829806S

(12) **United States Design Patent** (10) **Patent No.:** **US D829,806 S**
Balmer (45) **Date of Patent:** **** Oct. 2, 2018**

(54) **MOUNTING RING WITH EXTENSIONS**
 (71) Applicant: **Daymen US, Inc.**, Petaluma, CA (US)
 (72) Inventor: **Noah Balmer**, Santa Rosa, CA (US)
 (73) Assignee: **Vitec Holdings Italia SRL**, Cassola (IT)

2006/0290654 A1* 12/2006 Wang B60R 11/0235
 345/156
 2007/0154254 A1* 7/2007 Bevirt F16M 11/40
 403/56
 2008/0056808 A1* 3/2008 Bevirt F16M 11/40
 403/56
 2009/0039213 A1* 2/2009 Darrow B60R 11/02
 248/163.1
 2012/0207462 A1* 8/2012 Justice F16M 11/041
 396/428

(**) Term: **15 Years**

(Continued)

(21) Appl. No.: **29/611,402**

(22) Filed: **Jul. 21, 2017**

(51) **LOC (11) Cl.** **16-05**

(52) **U.S. Cl.**
USPC **D16/242; 16/237**

(58) **Field of Classification Search**
 USPC D16/219, 237–250; D14/224, 229, 238,
 D14/251, 447, 451, 457; D8/354, 355,
 D8/363, 373, 382, 383, 394, 395, 396
 CPC G03B 17/56; G03B 17/561–17/568; G02B
 7/00–7/002; H04N 5/2253–5/2254; F16M
 11/06–11/10; F16M 11/14; A45F 5/10
 See application file for complete search history.

(56) **References Cited**

U.S. PATENT DOCUMENTS

D345,573 S * 3/1994 Reppert 224/265
 D502,956 S * 3/2005 Holmes 396/428
 D535,773 S * 1/2007 Kessler D26/60
 D678,297 S * 3/2013 Willkomm D14/447
 8,602,662 B1 * 12/2013 Mans F16M 11/041
 248/160
 D710,186 S * 8/2014 Earley D8/354
 D716,642 S * 11/2014 Harges D8/380
 D748,182 S * 1/2016 Polito D16/242
 D777,021 S * 1/2017 Dew D8/394
 D782,464 S * 3/2017 Chung D14/253
 D795,882 S * 8/2017 Maldonado D14/447
 2004/0211868 A1 * 10/2004 Holmes F16M 11/40
 248/231.71

OTHER PUBLICATIONS

JOBY GripTight Suction Cup & GorillaPod. [online] Retrieved Apr. 24, 2018 from URL: <https://www.parenting.com/shop/joby-joby-griptight-suction-cup-and-gorillapod-arm-for-snnartphones-pe9e28a0ff430a0781286942889f7dda0.html>.*

Primary Examiner — Vy N Koenig
(74) *Attorney, Agent, or Firm* — Michael A. Guth

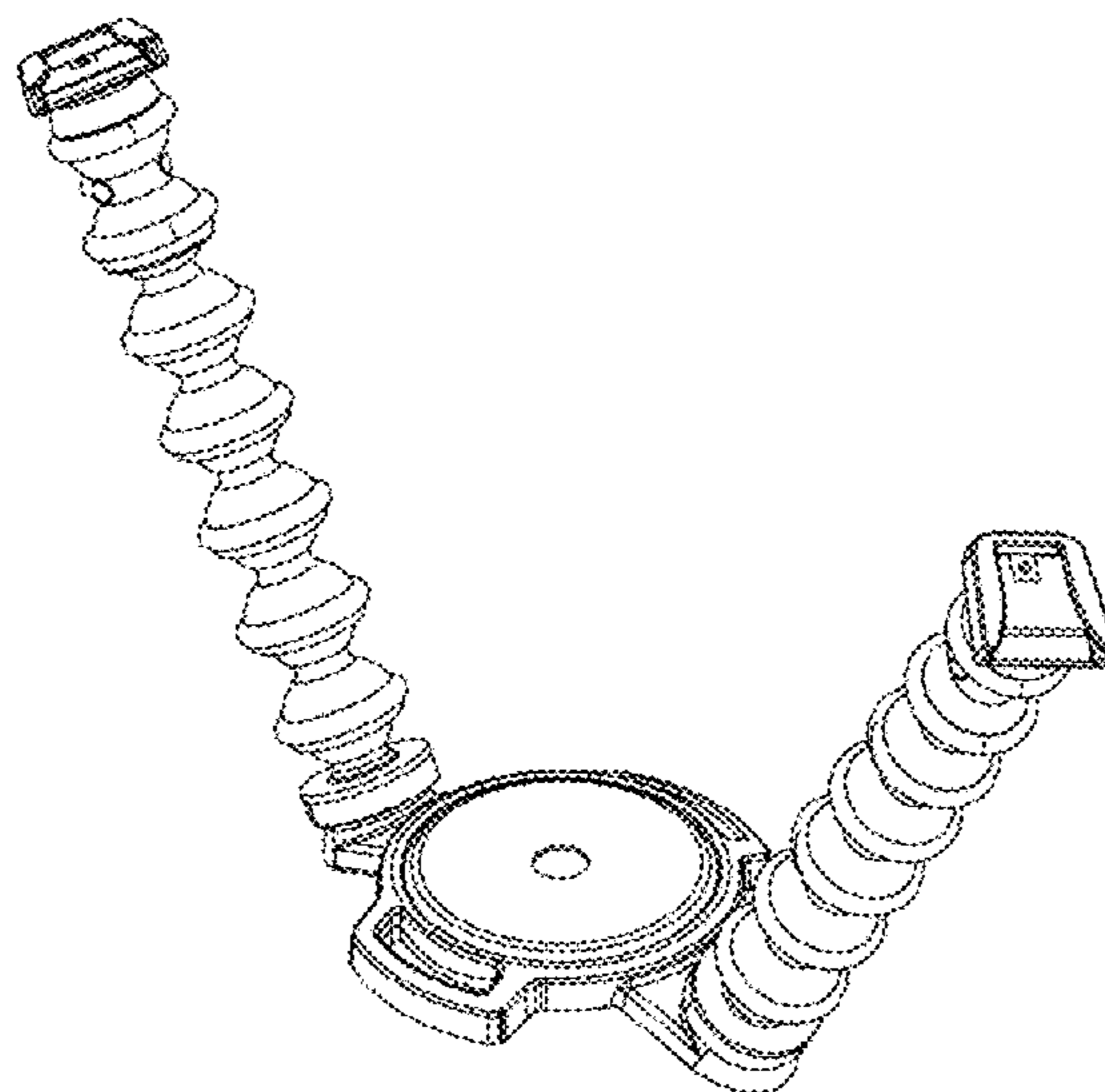
(57) **CLAIM**

The ornamental design for a mounting ring with extensions, as shown and described.

DESCRIPTION

FIG. 1 is a front view of a mounting ring with extensions. FIG. 2 is a back view of a mounting ring with extensions. FIG. 3 is a top view of a mounting ring with extensions. FIG. 4 is a bottom view of a mounting ring with extensions. FIG. 5 is a left side view of a mounting ring with extensions. FIG. 6 is a right side view of a mounting ring with extensions. FIG. 7 is an upper perspective view of a mounting ring with extensions; and, FIG. 8 is a lower perspective view of a mounting ring with extensions.

1 Claim, 8 Drawing Sheets



(56)

References Cited

U.S. PATENT DOCUMENTS

2012/0281977 A1* 11/2012 Stevenson G03B 11/041
396/544

* cited by examiner

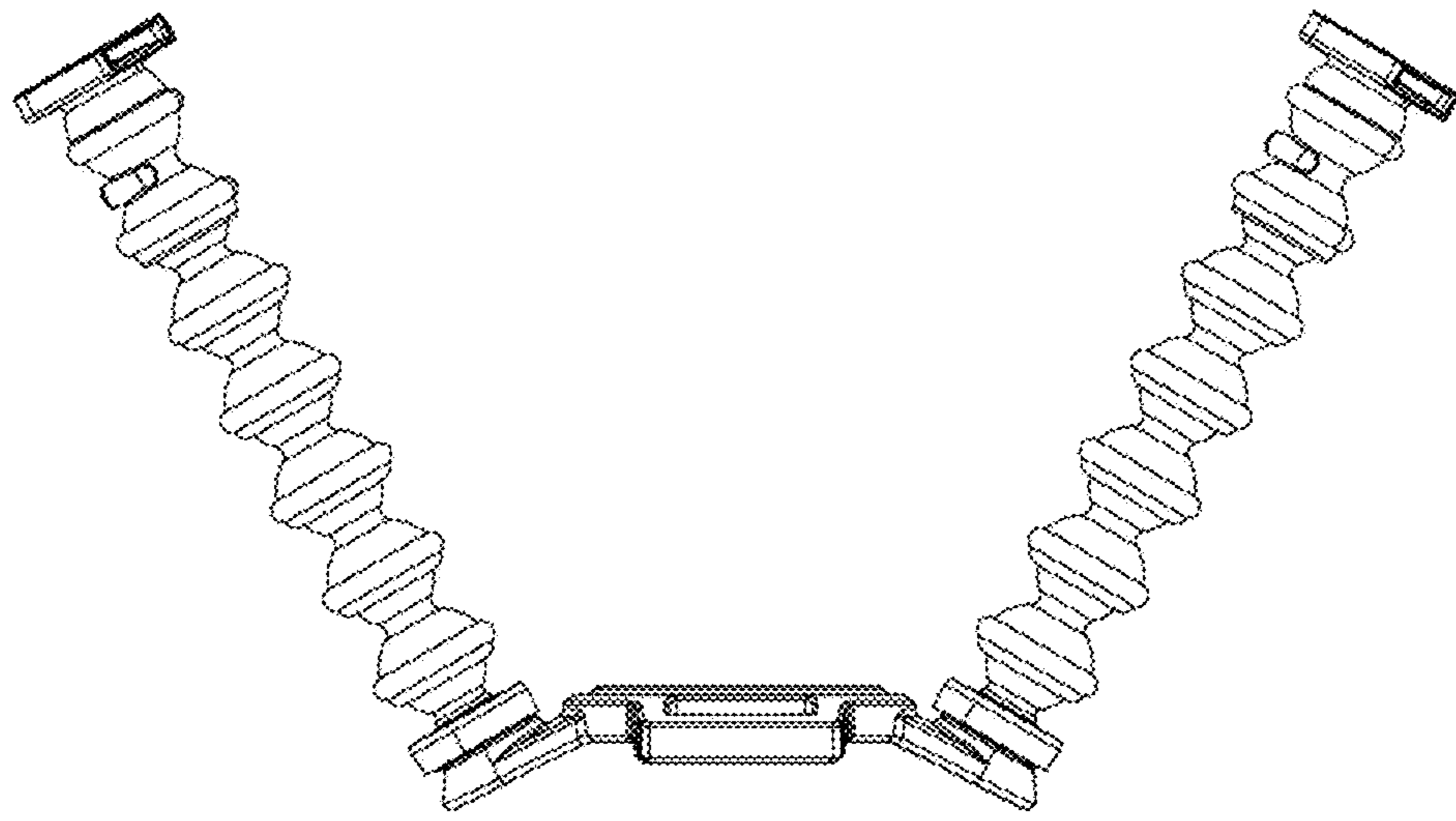


FIG. 1

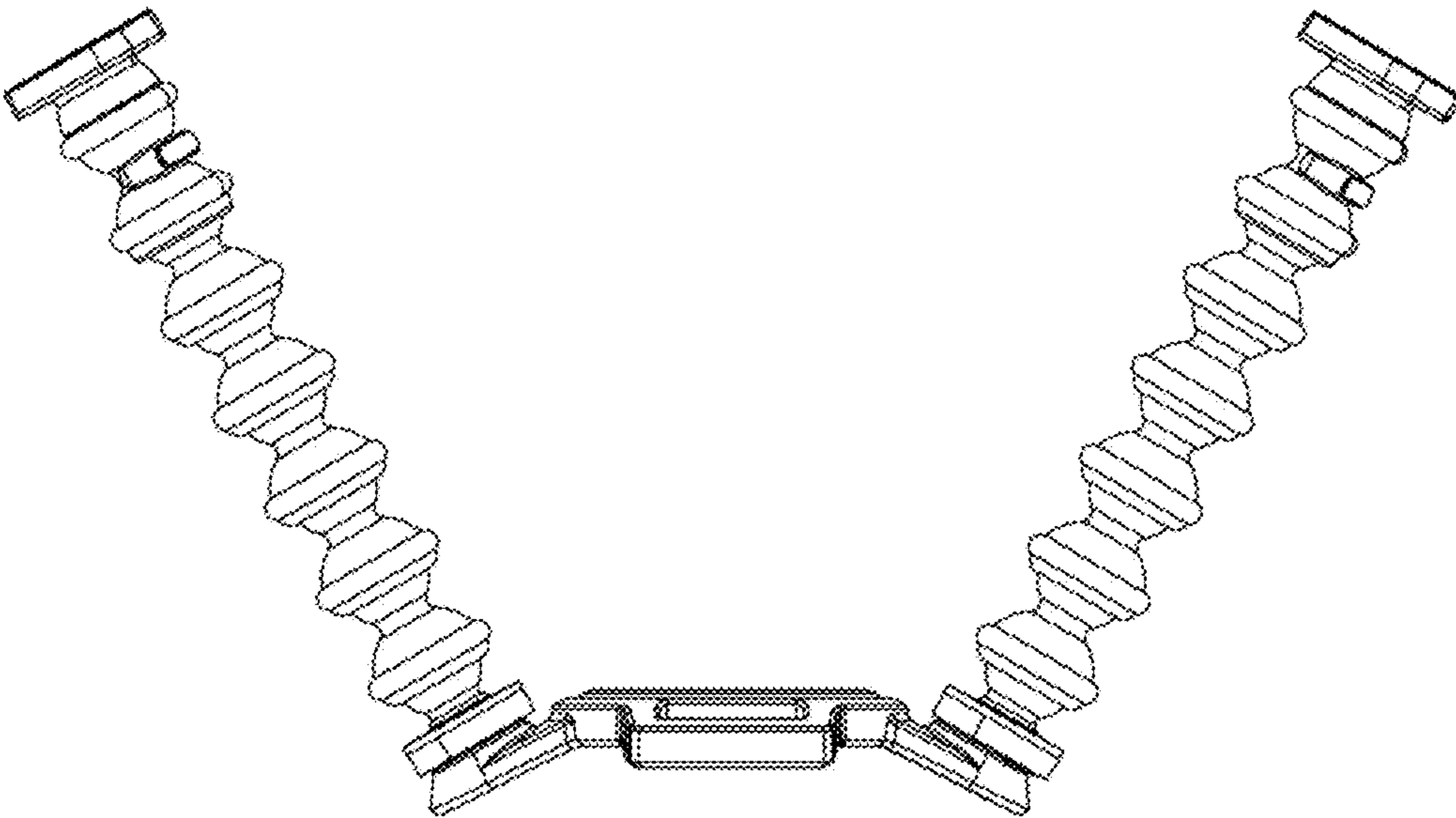


FIG. 2

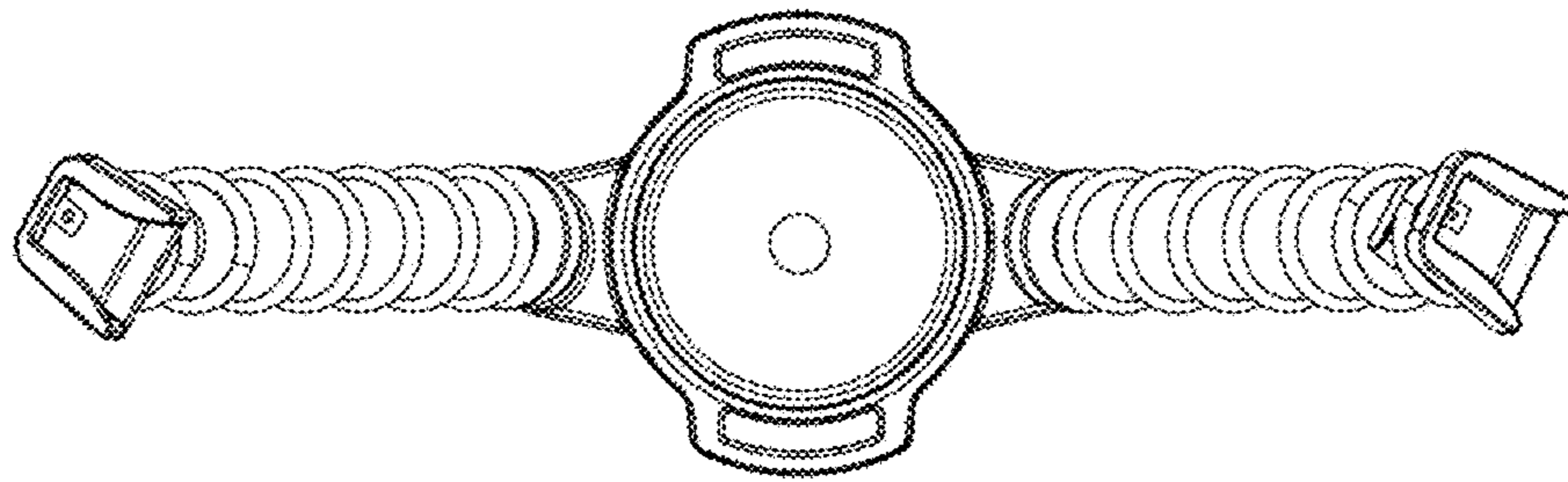


FIG. 3

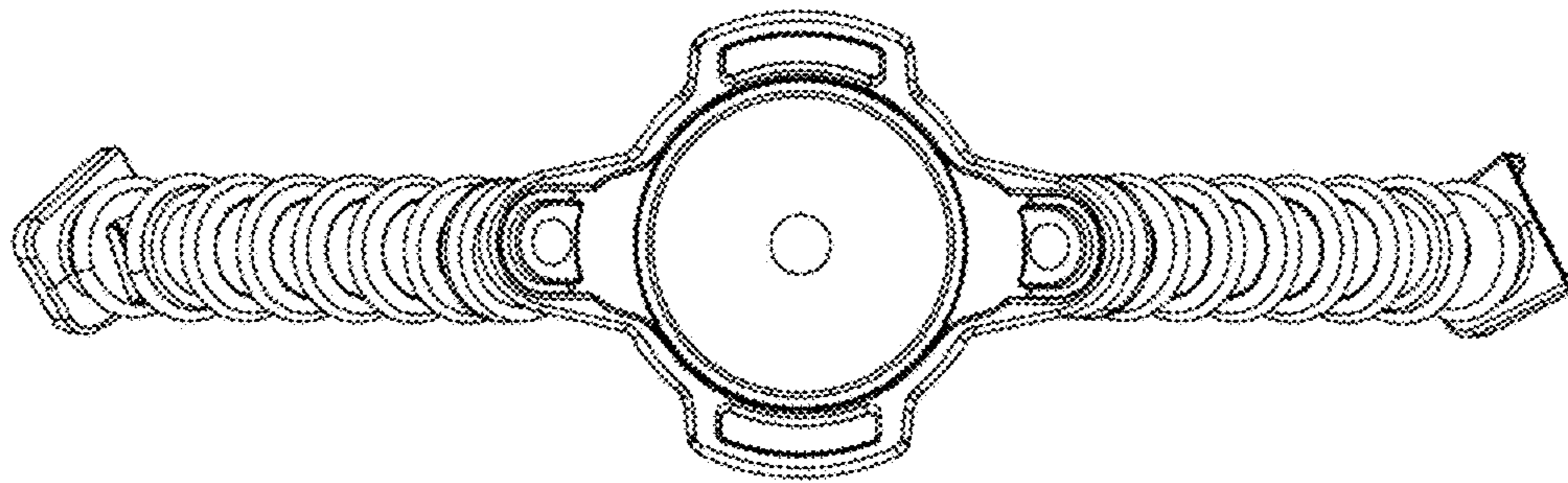


FIG. 4

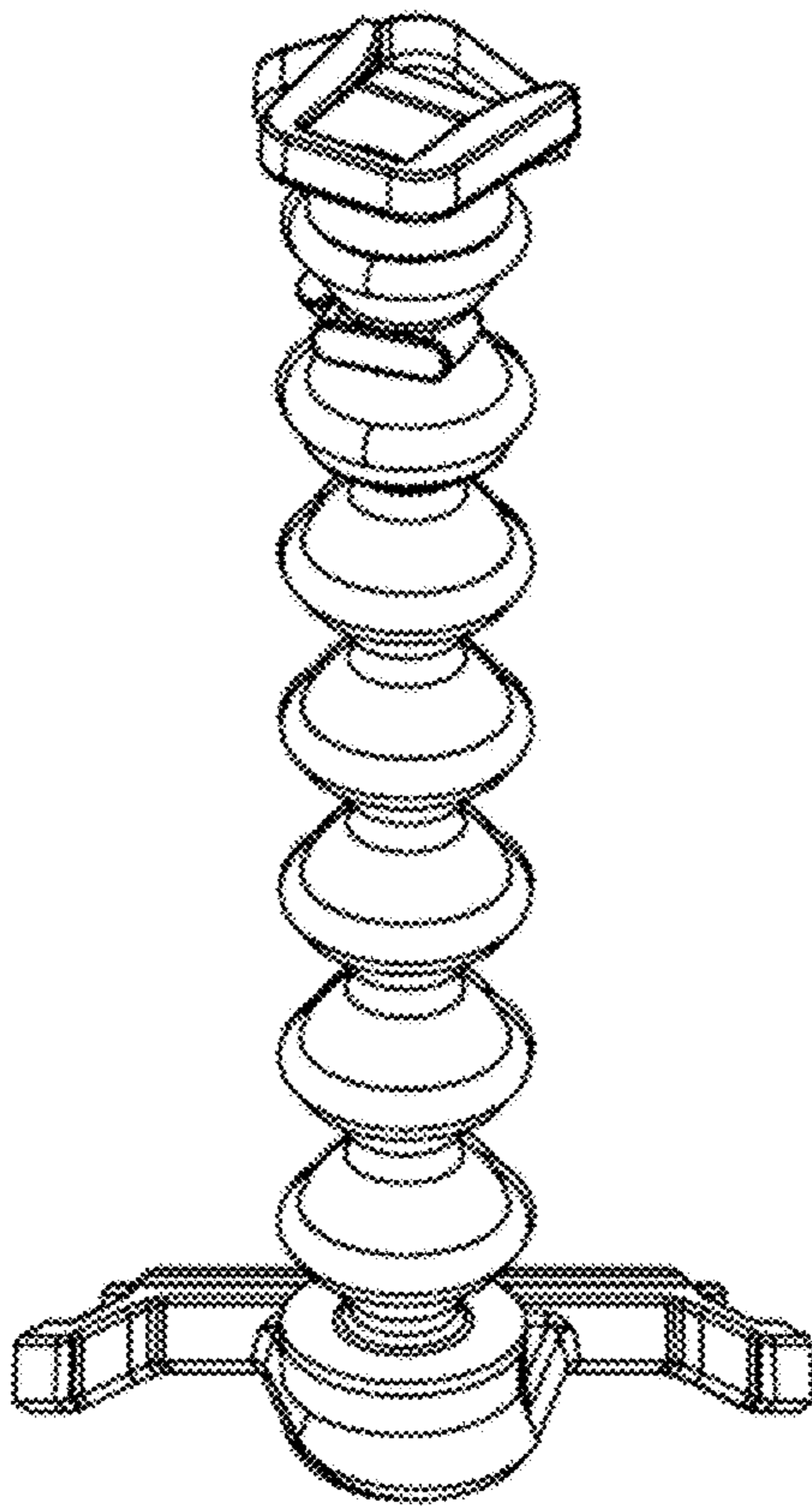


FIG. 5

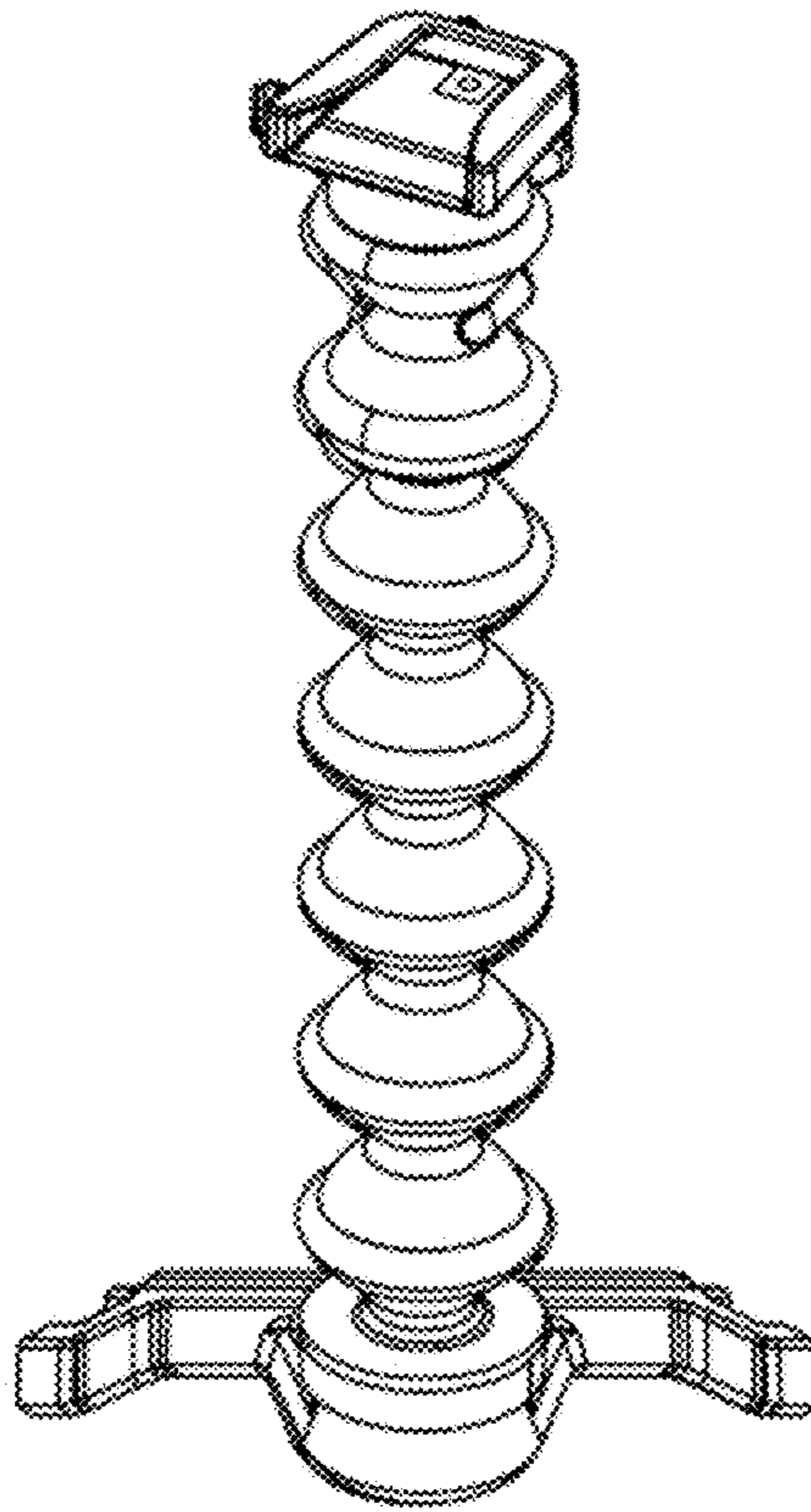


FIG. 6

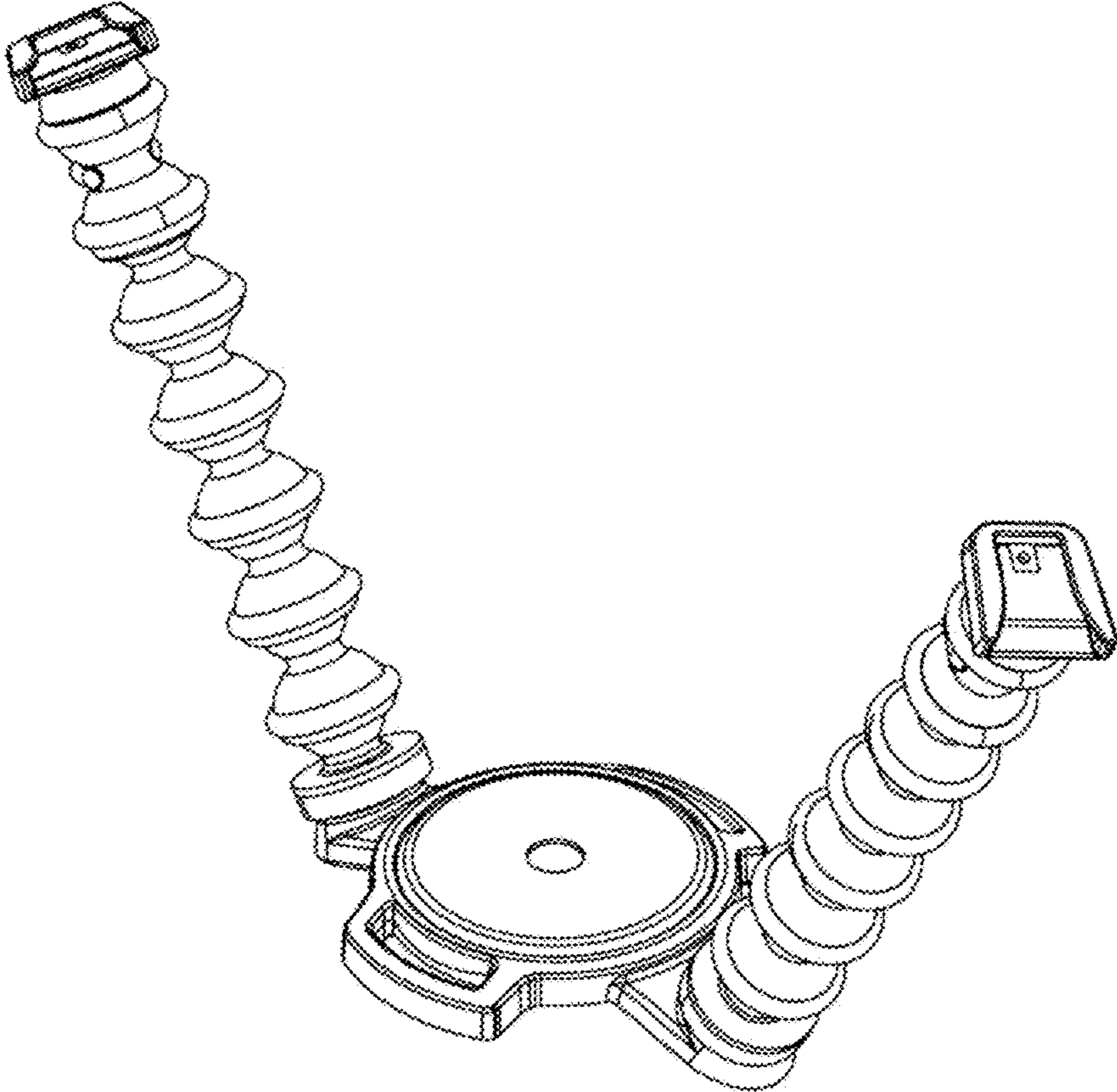


FIG. 7

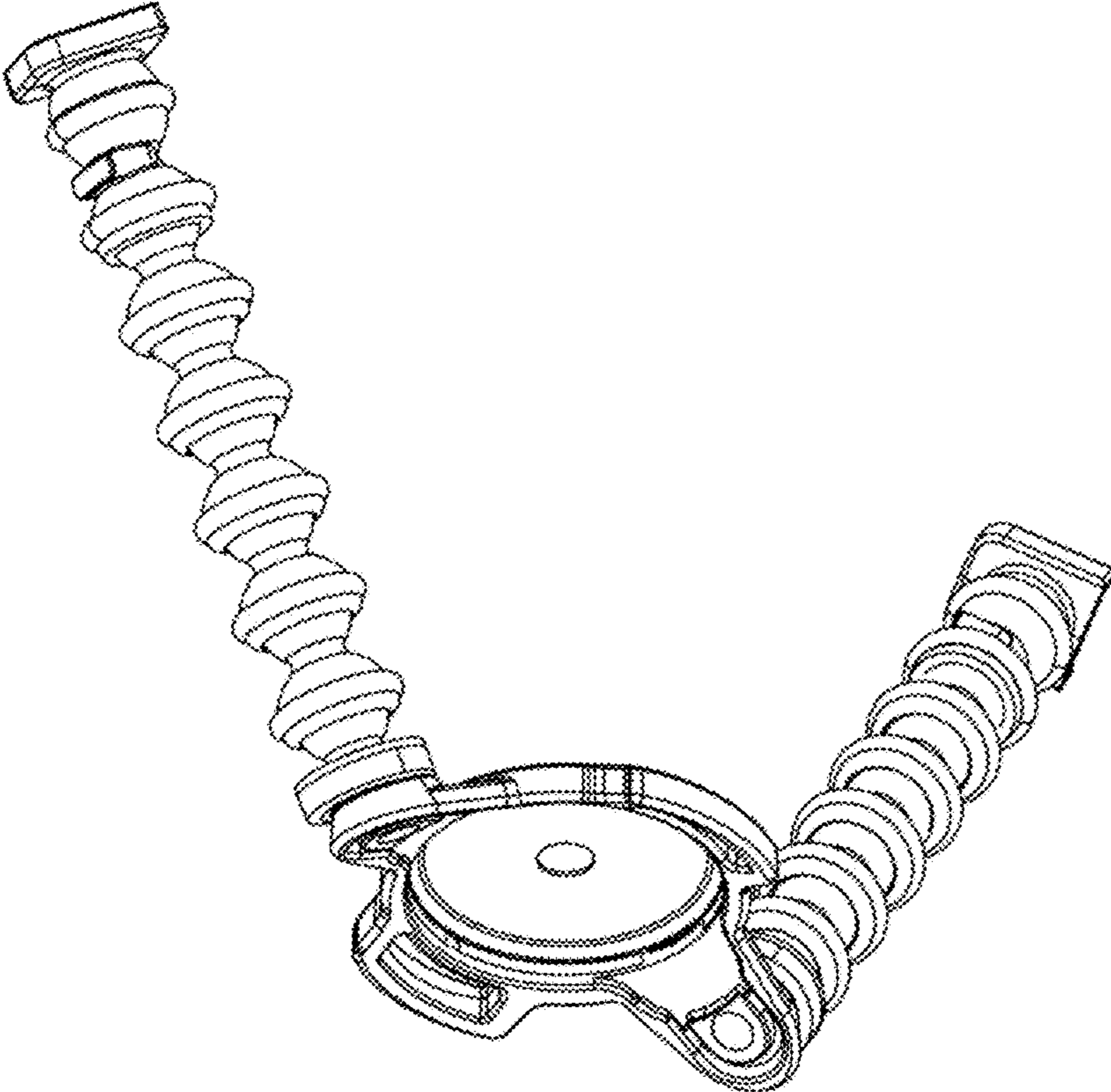


FIG. 8