



US00D829805S

(12) **United States Design Patent**
Gan

(10) **Patent No.:** **US D829,805 S**

(45) **Date of Patent:** **** Oct. 2, 2018**

(54) **PROJECTOR**

(71) Applicant: **SHENZHEN VALUELINK
E-COMMERCE CO., LTD.**, Shenzhen
(CN)

(72) Inventor: **Qingcao Gan**, Shenzhen (CN)

(**) Term: **15 Years**

(21) Appl. No.: **29/603,581**

(22) Filed: **May 10, 2017**

(51) **LOC (11) Cl.** **16-02**

(52) **U.S. Cl.**
USPC **D16/230; D16/225**

(58) **Field of Classification Search**
USPC D16/221, 225, 230–231, 234; D21/514
CPC G03B 21/145; G03B 21/14; G03B 21/12;
G03B 21/16; G03B 21/00; G03B 21/001;
G03B 21/003
See application file for complete search history.

(56) **References Cited**

U.S. PATENT DOCUMENTS

D443,630 S * 6/2001 Salvatori D16/230
D472,571 S * 4/2003 Williams D16/230
D480,409 S * 10/2003 Wang D16/225

D618,718 S * 6/2010 Oota D16/230
8,104,902 B2 * 1/2012 Mao G03B 21/16
348/241
D757,149 S * 5/2016 Morohoshi D16/225
9,823,463 B2 * 11/2017 Umamine G03B 21/16
2016/0274444 A1 * 9/2016 Mikutsu G03B 21/145

* cited by examiner

Primary Examiner — Wan Laymon

(74) *Attorney, Agent, or Firm* — Wayne & Ken, LLC;
Tony Hom

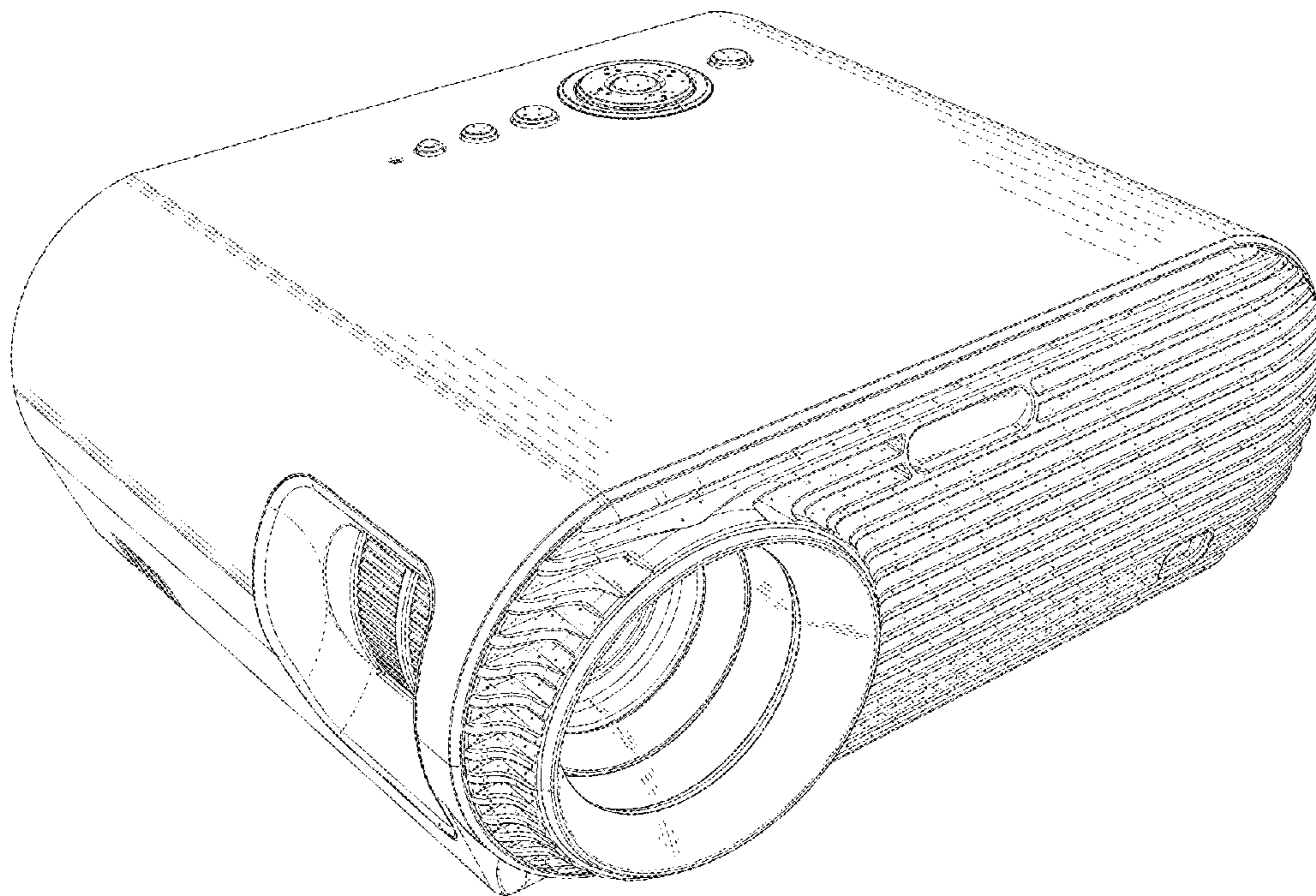
(57) **CLAIM**

The ornamental design for a projector, as shown and described.

DESCRIPTION

FIG. 1 is a perspective view of a projector showing my new design;
FIG. 2 is a front view thereof;
FIG. 3 is a back view thereof;
FIG. 4 is a left view thereof;
FIG. 5 is a right view thereof;
FIG. 6 is a top view thereof; and,
FIG. 7 is a bottom view thereof.
The broken lines in the drawing illustrate environmental structure that forms no part of the claimed design.

1 Claim, 7 Drawing Sheets



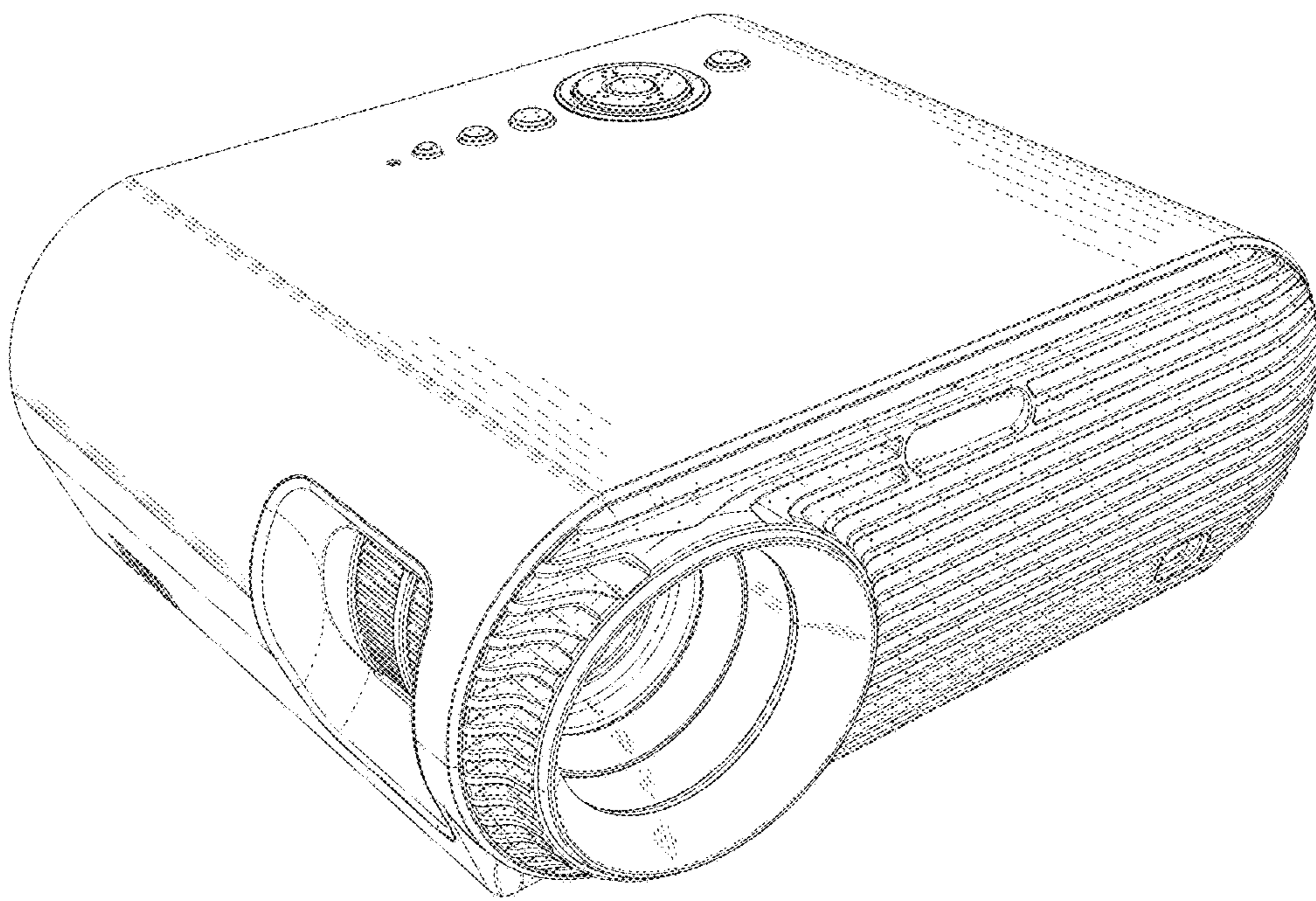


FIG. 1

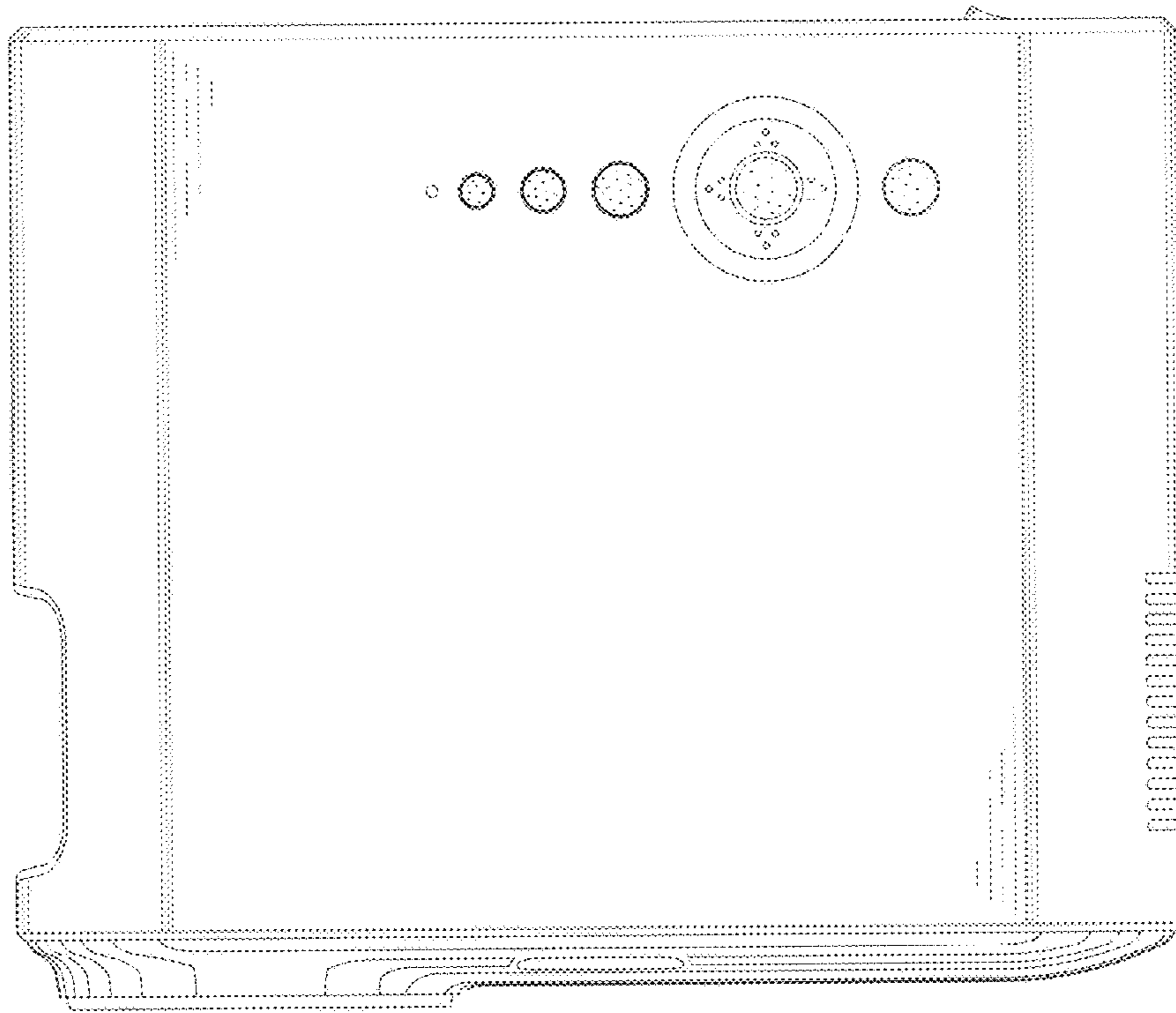


FIG. 2

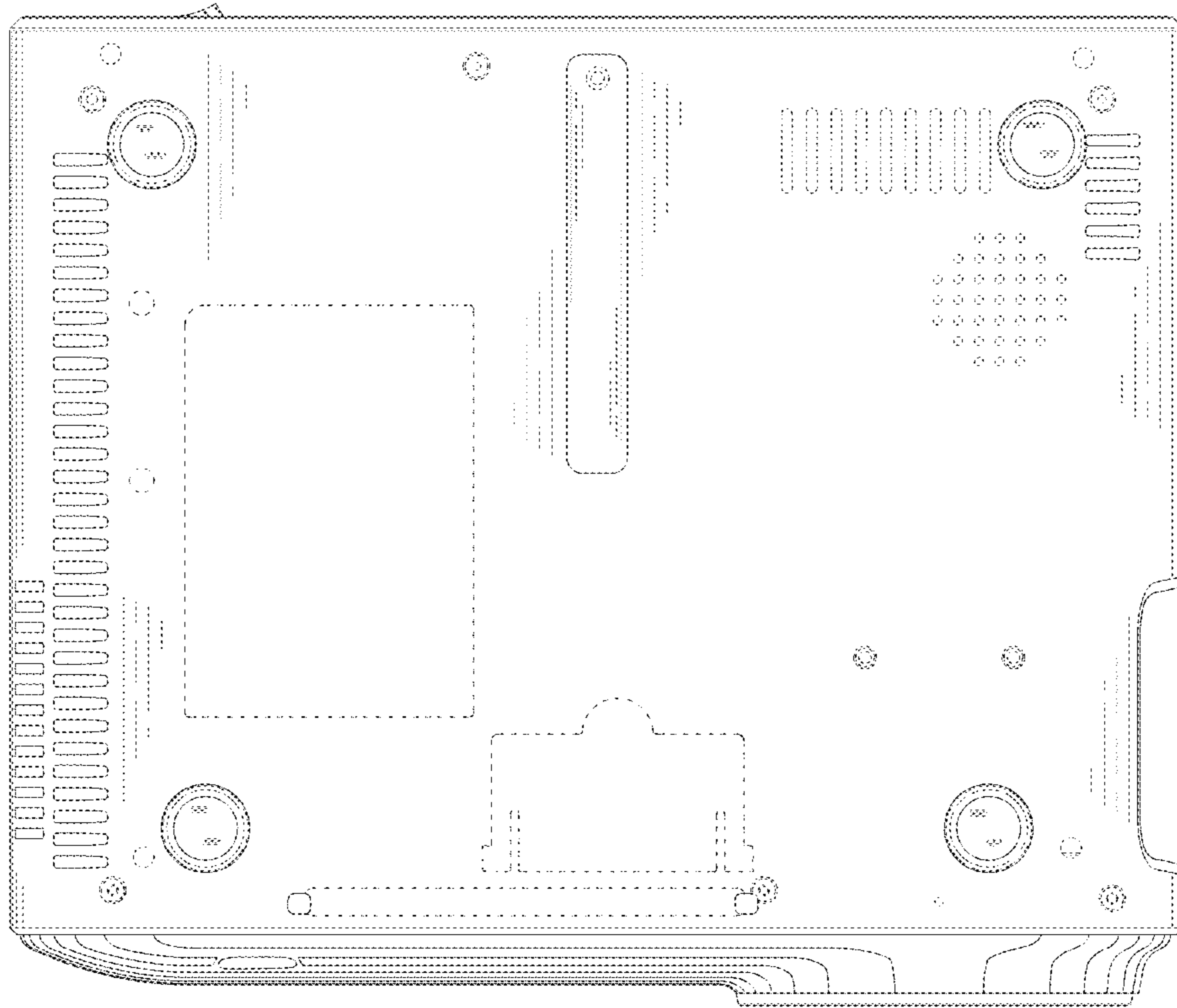


FIG. 3

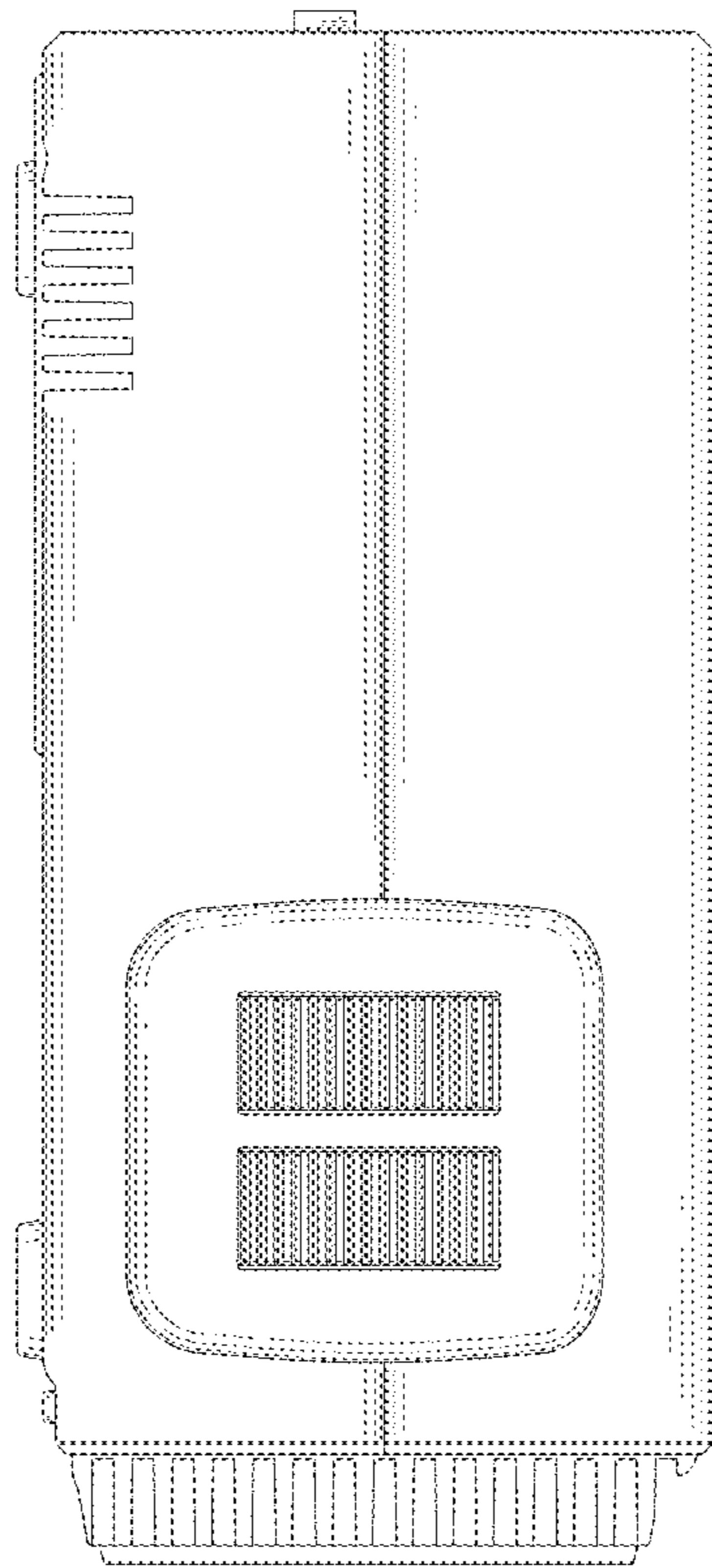


FIG. 4

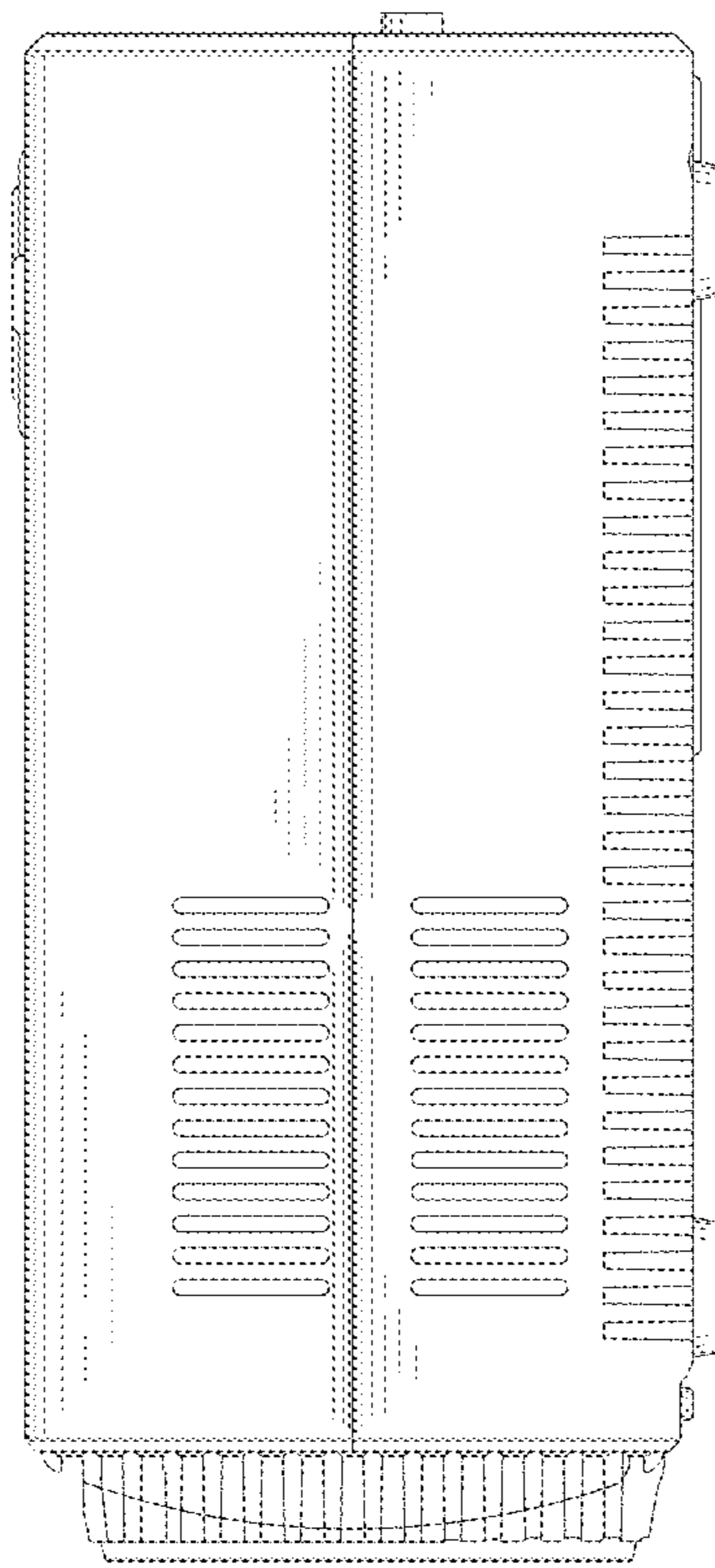


FIG. 5

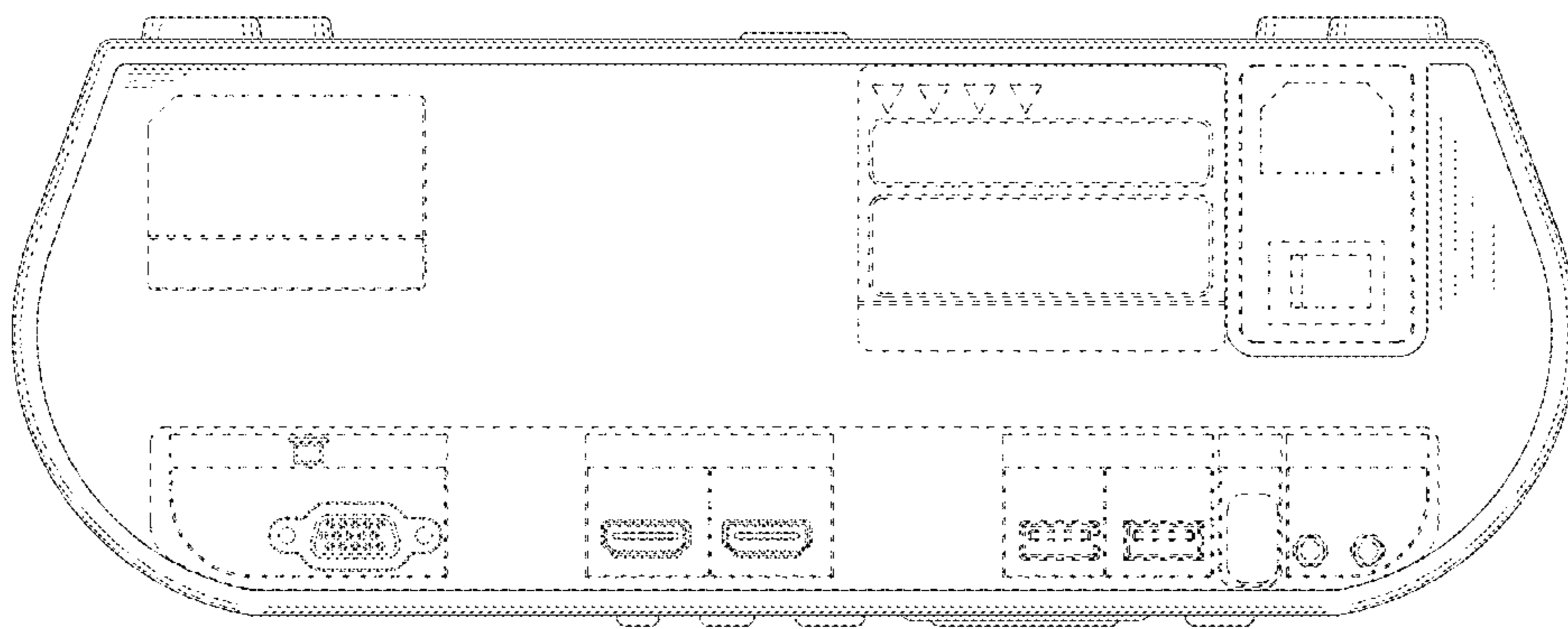


FIG. 6

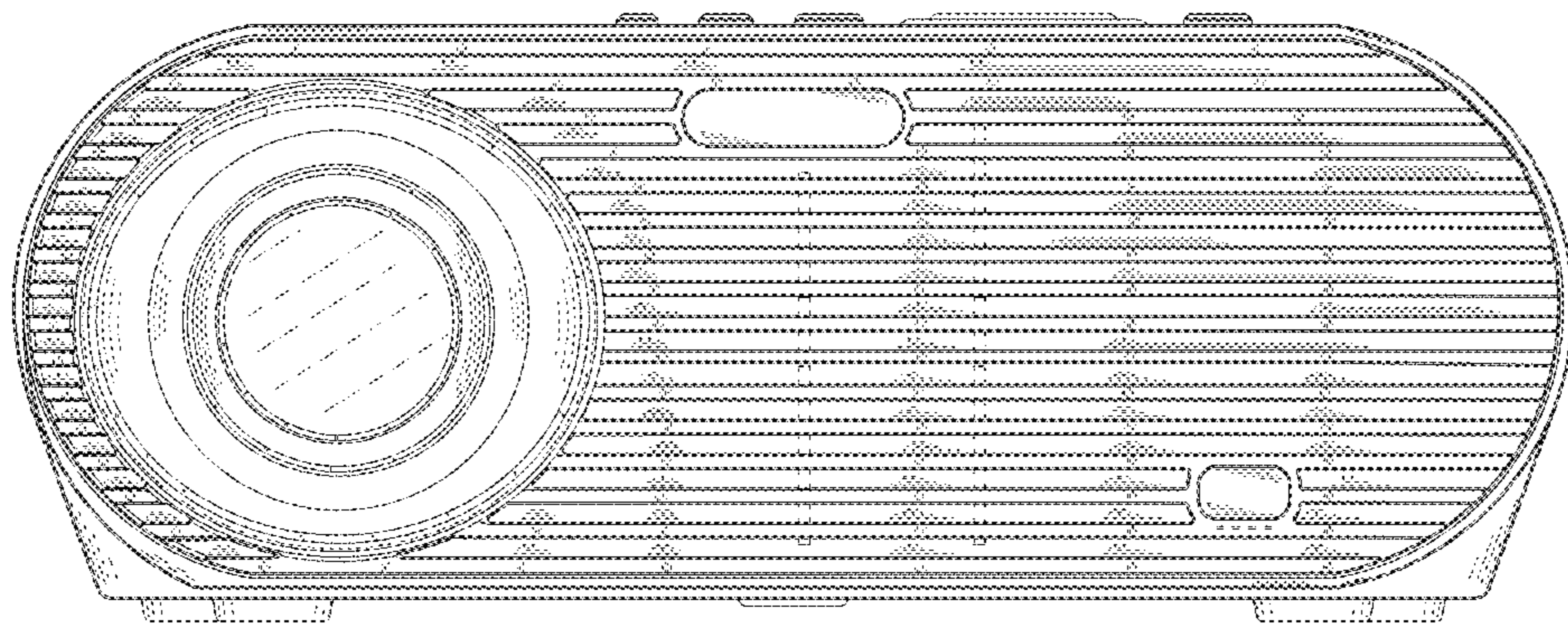


FIG. 7