



US00D829804S

(12) **United States Design Patent**
Goldenberg et al.

(10) **Patent No.:** **US D829,804 S**

(45) **Date of Patent:** **** Oct. 2, 2018**

(54) **MAGNIFIER CAMERA**

D526,674 S * 8/2006 Byun D16/202
D530,732 S * 10/2006 Tanaka D16/202
D548,734 S * 8/2007 Huttunen D14/341

(Continued)

(71) Applicant: **Freedom Scientific, Inc., St.**
Petersburg, FL (US)

Primary Examiner — Susan E Krakower

Assistant Examiner — L. A. Grabenstetter

(72) Inventors: **Michael Goldenberg**, Melbourne, FL
(US); **Carlos M. Rodriguez**, Palm
Harbor, FL (US); **Bradley S. Davis**,
Largo, FL (US); **Patrick Murphy**,
Riverview, FL (US); **Todd Conard**,
Ruskin, FL (US); **Waldemar H.**
Tunkis, Palm Harbor, FL (US)

(74) *Attorney, Agent, or Firm* — GrayRobinson, P.A.;
Michael J. Colitz, III

(57) **CLAIM**

The ornamental design for a magnifier camera, as shown and
described.

DESCRIPTION

(73) Assignee: **Freedom Scientific, Inc., St.**
Petersburg, FL (US)

FIG. 1 is a front view of a magnifier camera, showing our
new design, shown in the closed position.

(**) Term: **15 Years**

FIG. 2 is a rear view of the magnifier camera in the closed
position.

(21) Appl. No.: **29/556,369**

FIG. 3 is a top view of the magnifier camera in the closed
position.

(22) Filed: **Feb. 29, 2016**

FIG. 4 is a bottom view of the magnifier camera in the closed
position.

(51) **LOC (11) Cl.** **16-01**

(52) **U.S. Cl.**

USPC **D16/208**

(58) **Field of Classification Search**

USPC D14/124, 125, 126, 129, 133, 314, 317,
D14/336, 348–351, 356, 420; D16/131,
D16/135, 136, 200, 201, 202, 203,
D16/205–221, 225, 232, 235, 241

CPC G03B 15/03; G03B 17/04; G03B 17/56;
G03B 19/04; H04N 5/2251–5/2254

See application file for complete search history.

FIG. 5 is a right side elevational view of the magnifier
camera in the closed position.

FIG. 6 is a left side elevational view of the magnifier camera
in the closed position.

FIG. 7 is a rear view of the magnifier camera in the opened
position.

FIG. 8 is a front view of the magnifier camera in the opened
position.

FIG. 9 is a top view of the magnifier camera in the opened
position.

FIG. 10 is a bottom view of the magnifier camera in the
opened position.

FIG. 11 is a right side elevational view of the magnifier
camera in the opened position; and,

FIG. 12 is a left side elevational view of the magnifier
camera in the opened position.

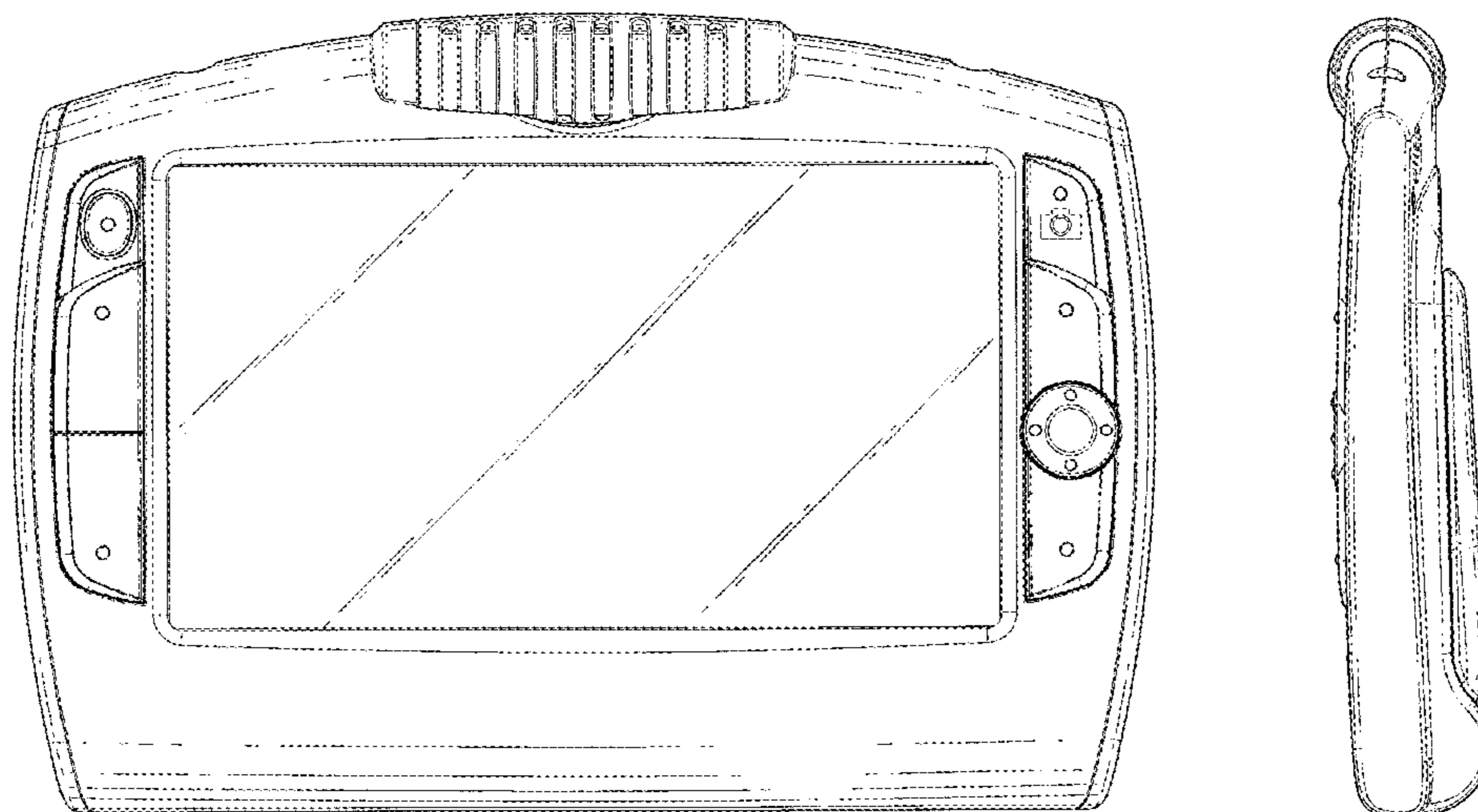
The broken lines represent unclaimed portions of the mag-
nifier camera.

(56) **References Cited**

U.S. PATENT DOCUMENTS

D379,362 S * 5/1997 Marfori D16/235
D451,505 S * 12/2001 Iseki D14/341
D454,146 S * 3/2002 Mori D16/202
D470,140 S * 2/2003 Lin D14/375
D481,718 S * 11/2003 Chiang D14/341
D488,824 S * 4/2004 Hussaini D16/135

1 Claim, 9 Drawing Sheets



(56)

References Cited

U.S. PATENT DOCUMENTS

D554,168	S	*	10/2007	Shi	D16/202
D592,625	S	*	5/2009	Hwang	D14/130
D608,358	S	*	1/2010	Ong	D14/345
D614,220	S	*	4/2010	Goldenberg	D16/130
D638,943	S	*	5/2011	Daniel	D24/172
D654,499	S	*	2/2012	Wesolek	D14/341
D691,131	S	*	10/2013	Brown	D14/341
D693,866	S	*	11/2013	Au	D16/131
D694,752	S	*	12/2013	Li	D14/341
D697,121	S	*	1/2014	Lepore	D16/218
D709,937	S	*	7/2014	Goldenberg	D16/135
D723,081	S	*	2/2015	May	D16/135
D723,550	S	*	3/2015	Krueger	D14/341
D723,551	S	*	3/2015	Fu	D14/341
D728,656	S	*	5/2015	Goldenberg	D16/208
2014/0022364	A1	*	1/2014	Rodriguez	G03B 17/04 348/63

* cited by examiner

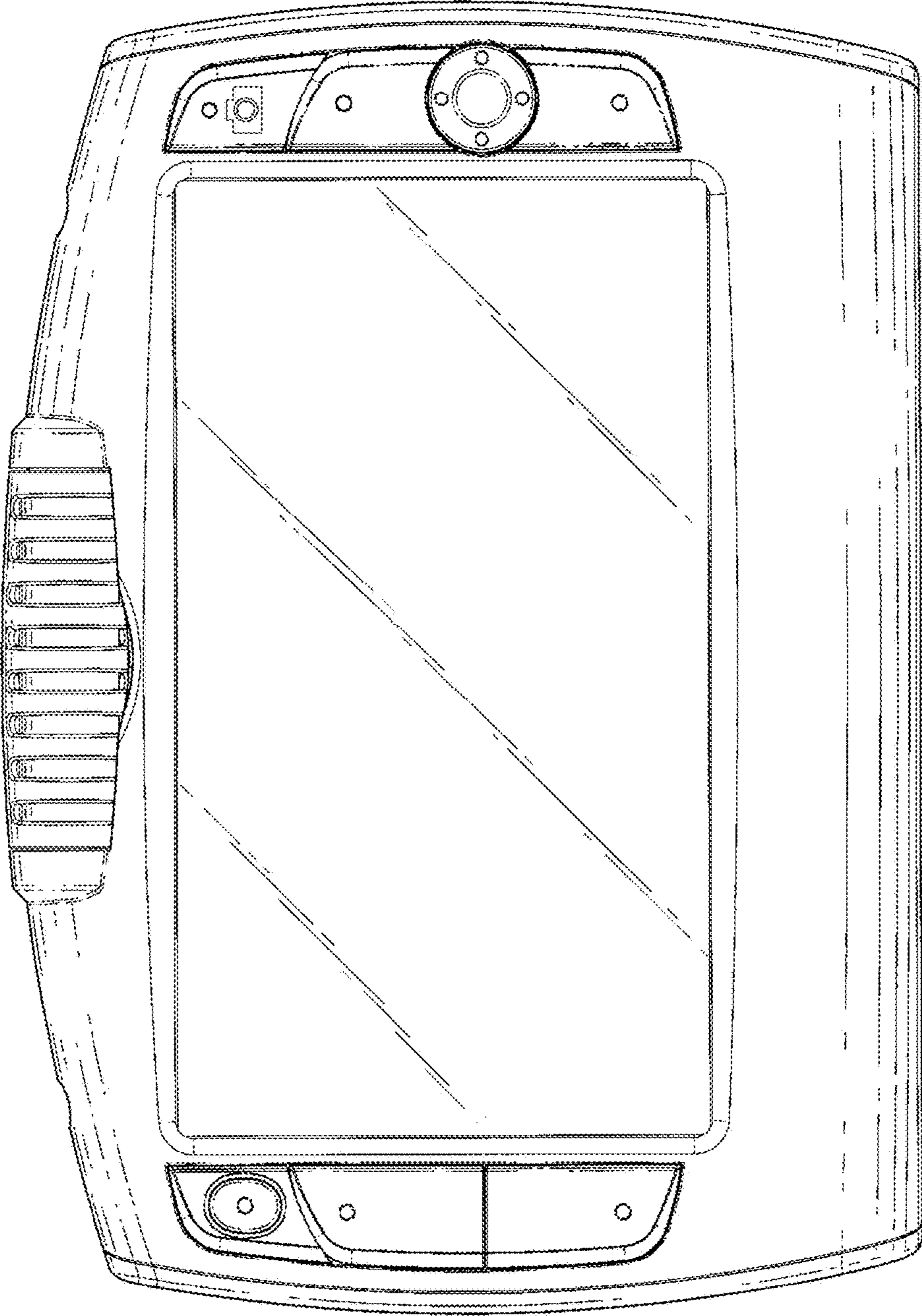


FIG. 1

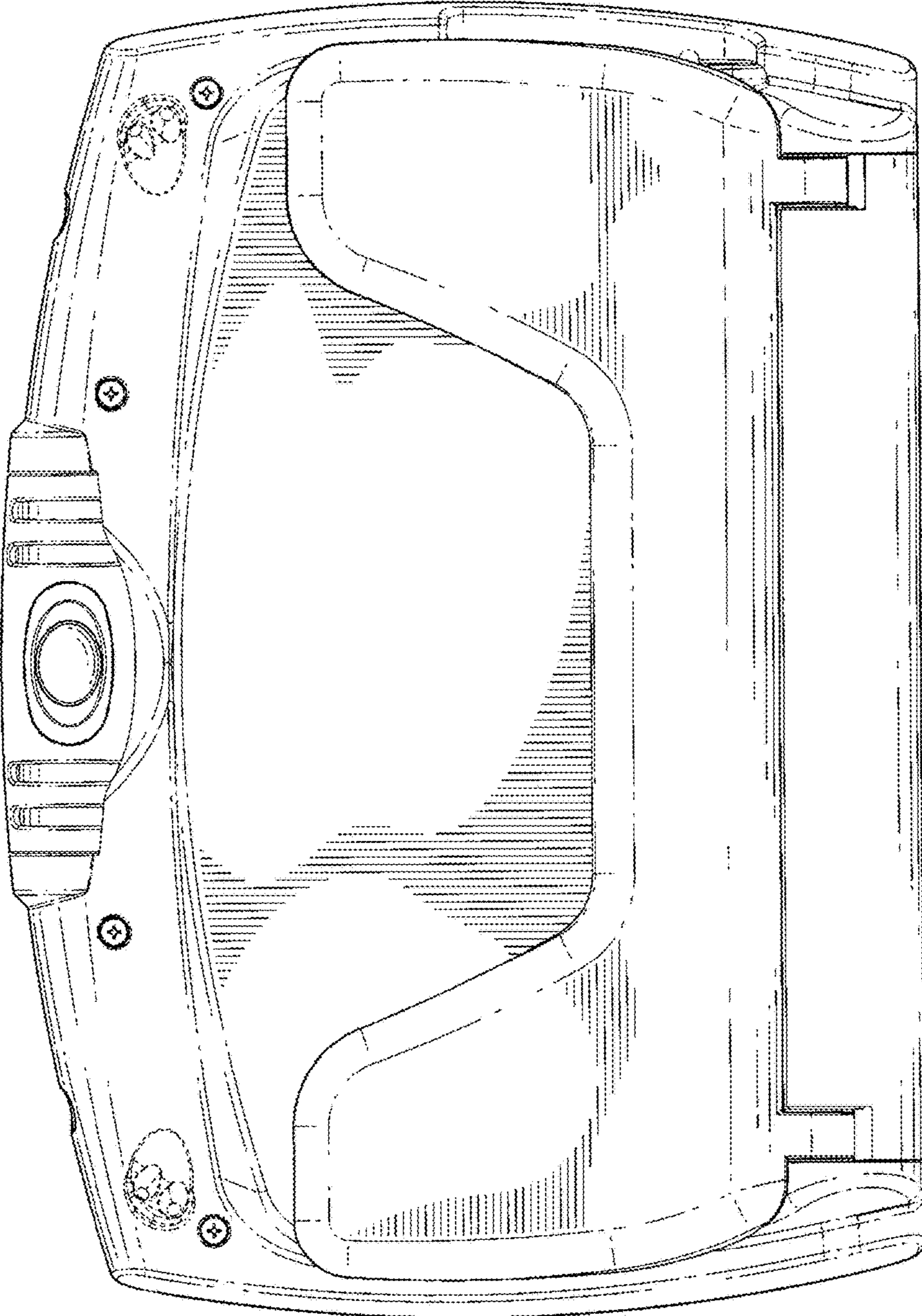


FIG. 2

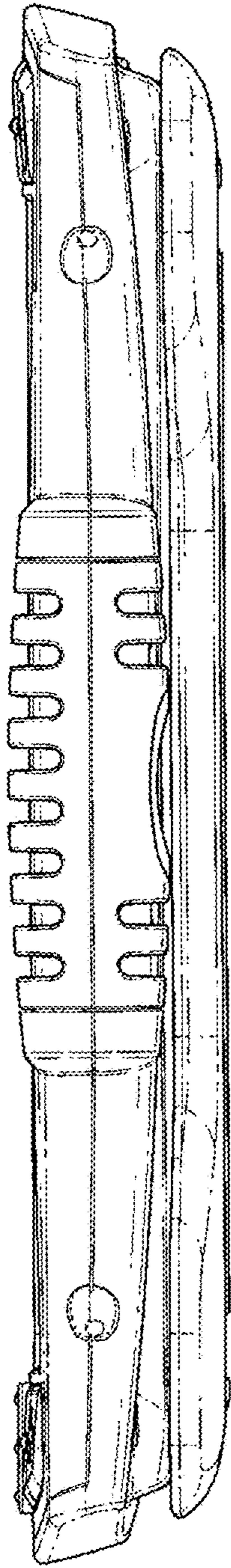


FIG. 3

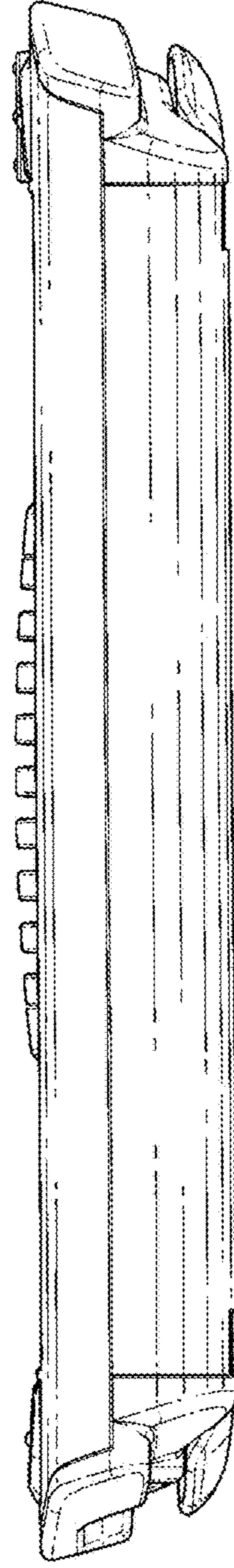


FIG. 4

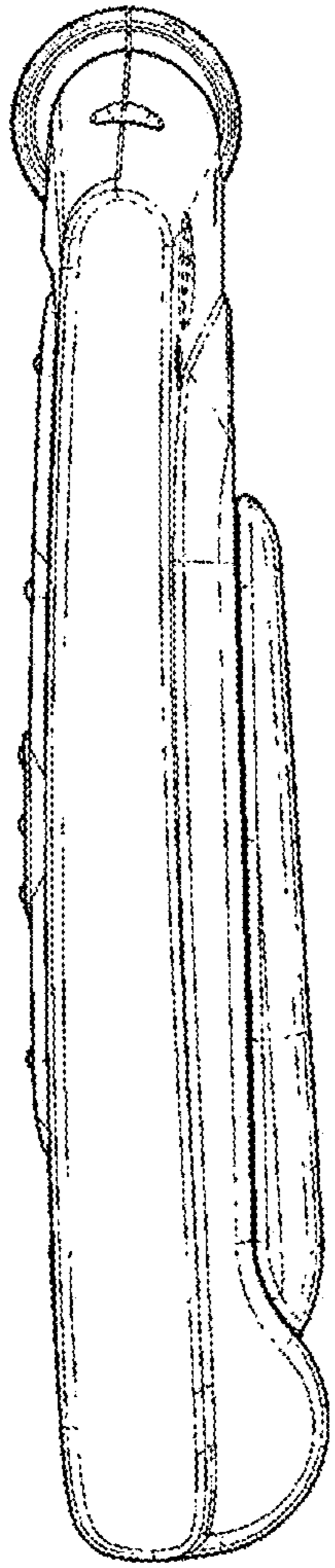


FIG. 5

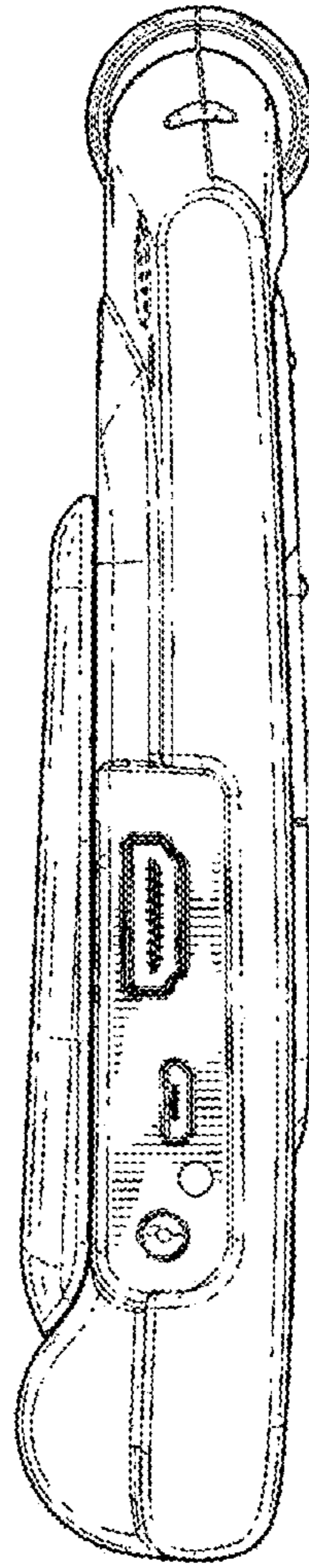


FIG. 6

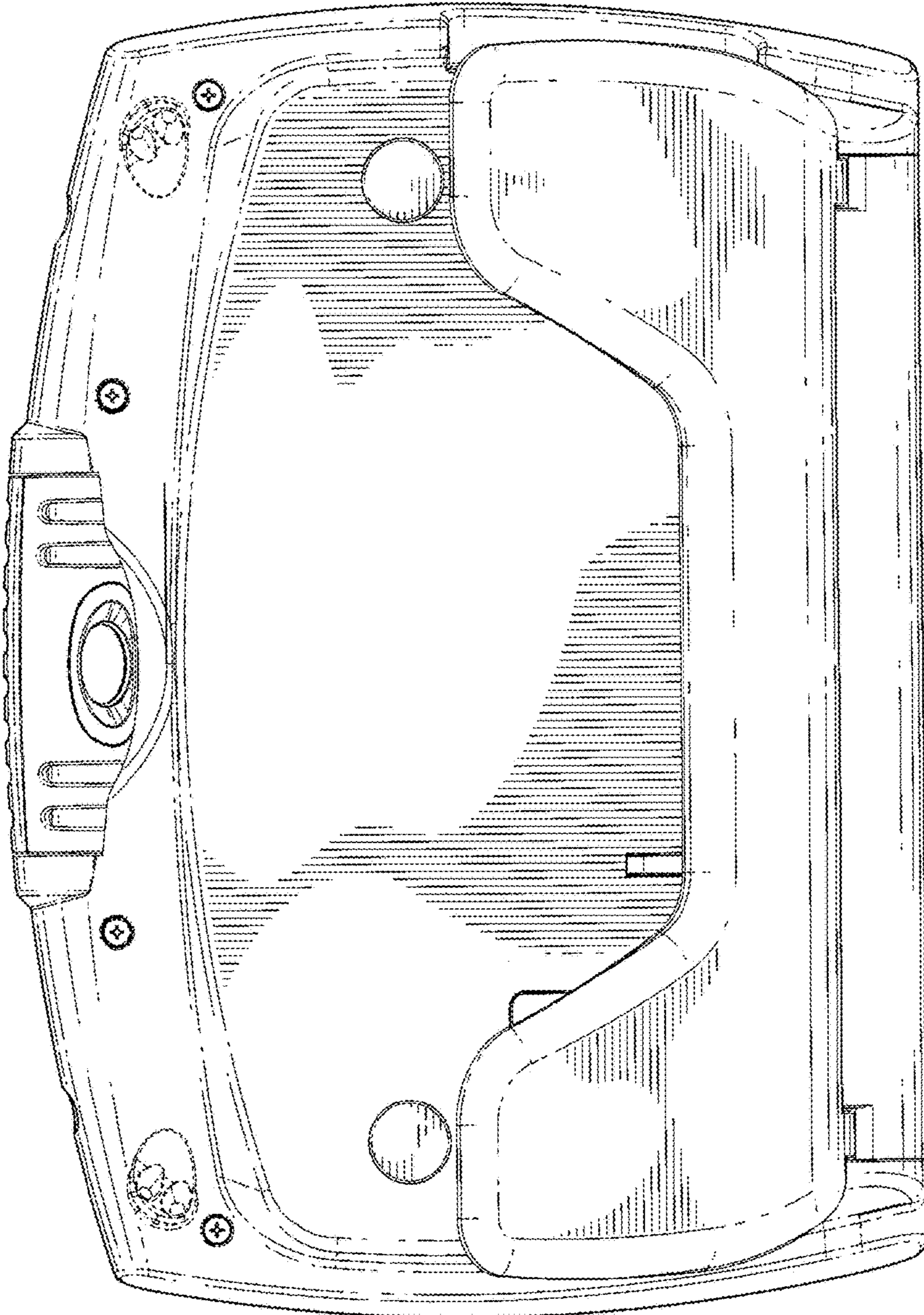


FIG. 7

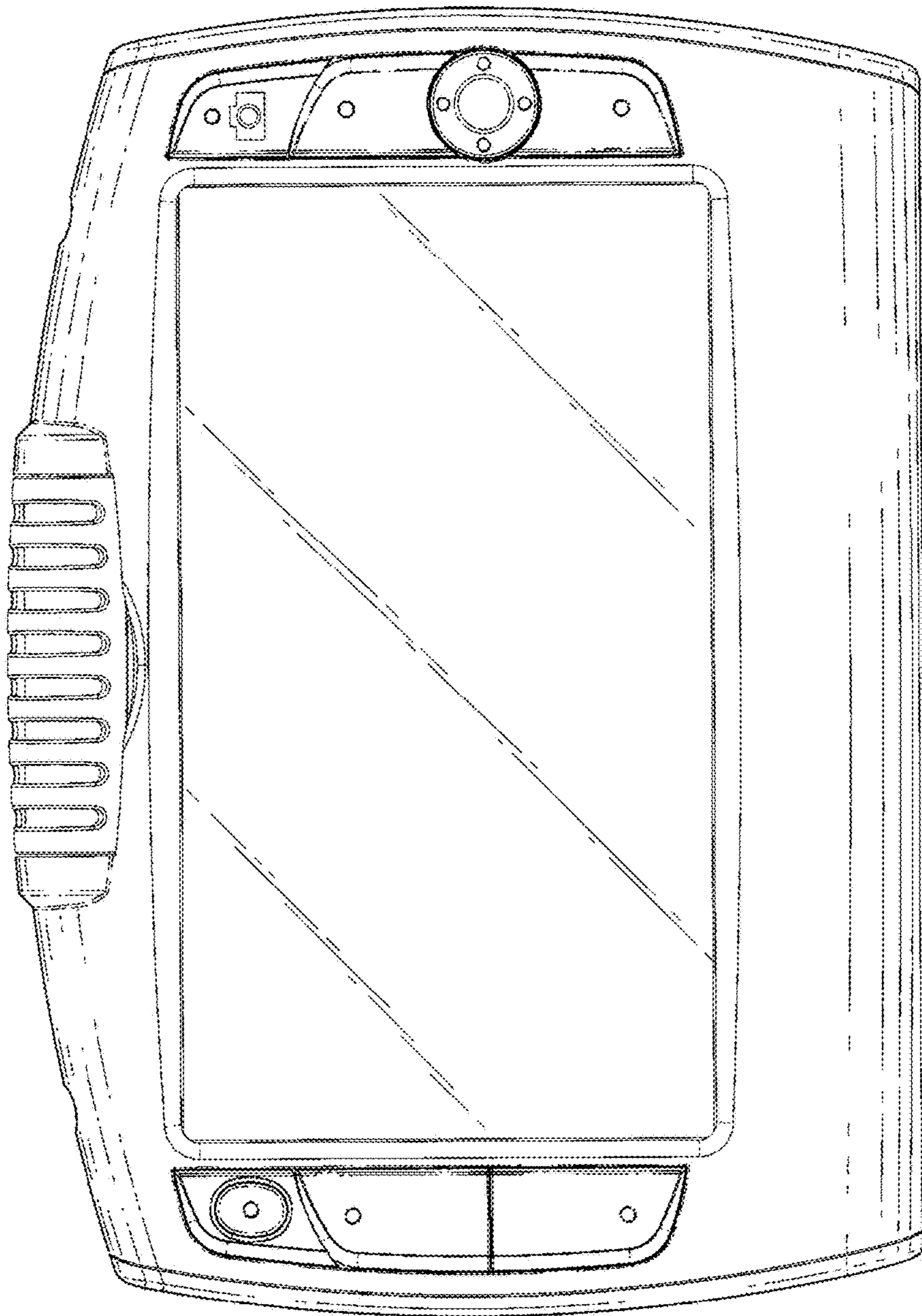


FIG. 8

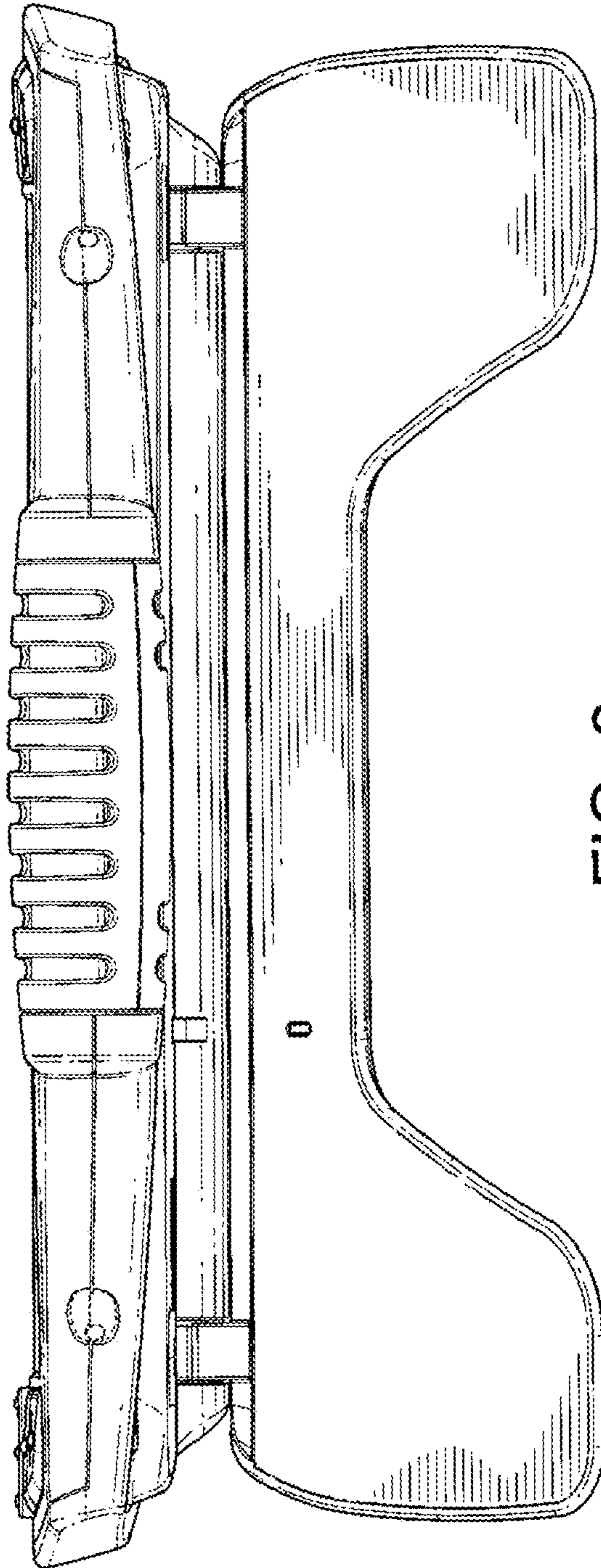


FIG. 9

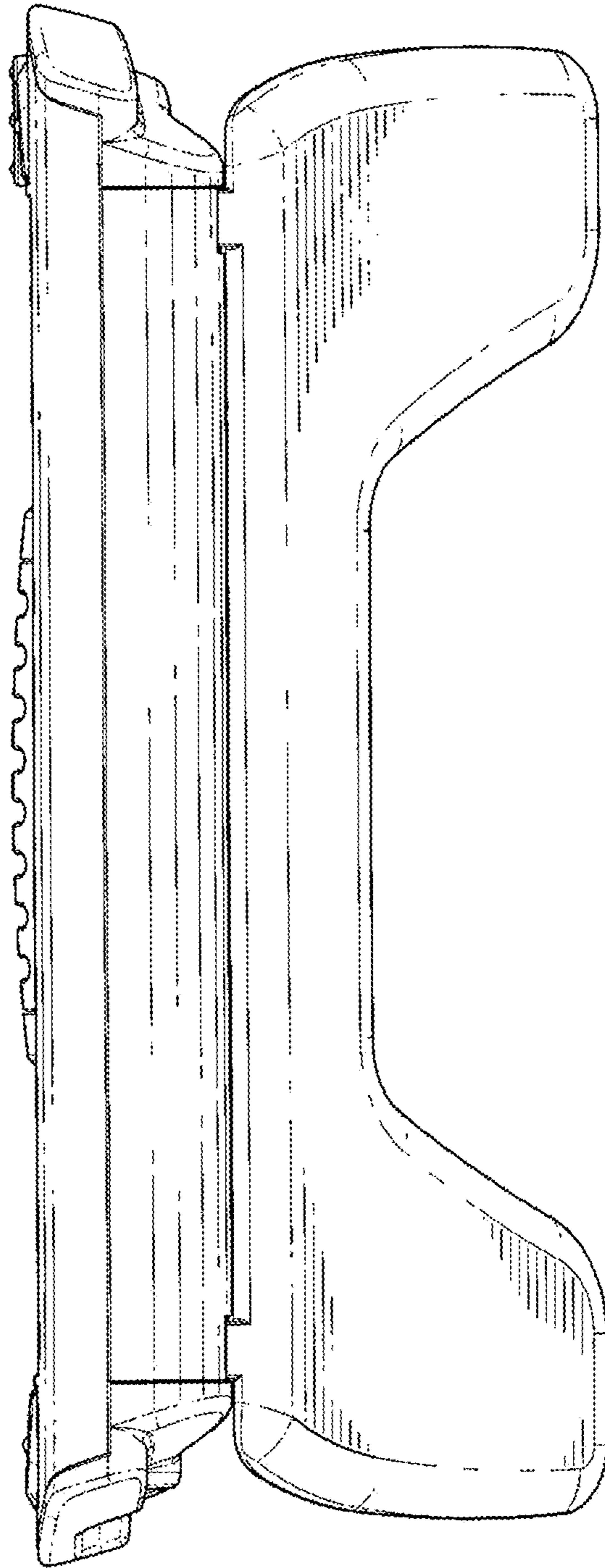


FIG. 10

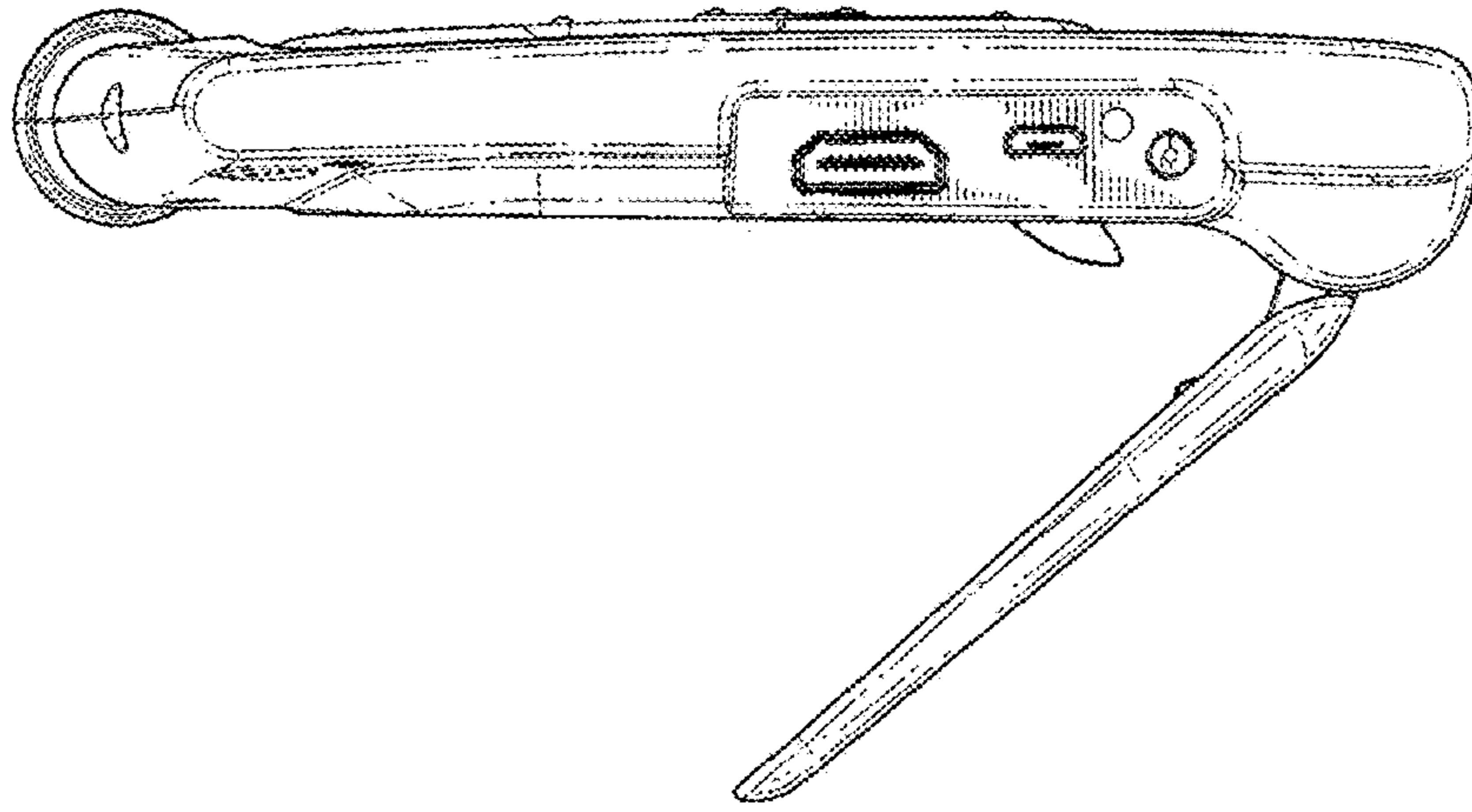


FIG. 12

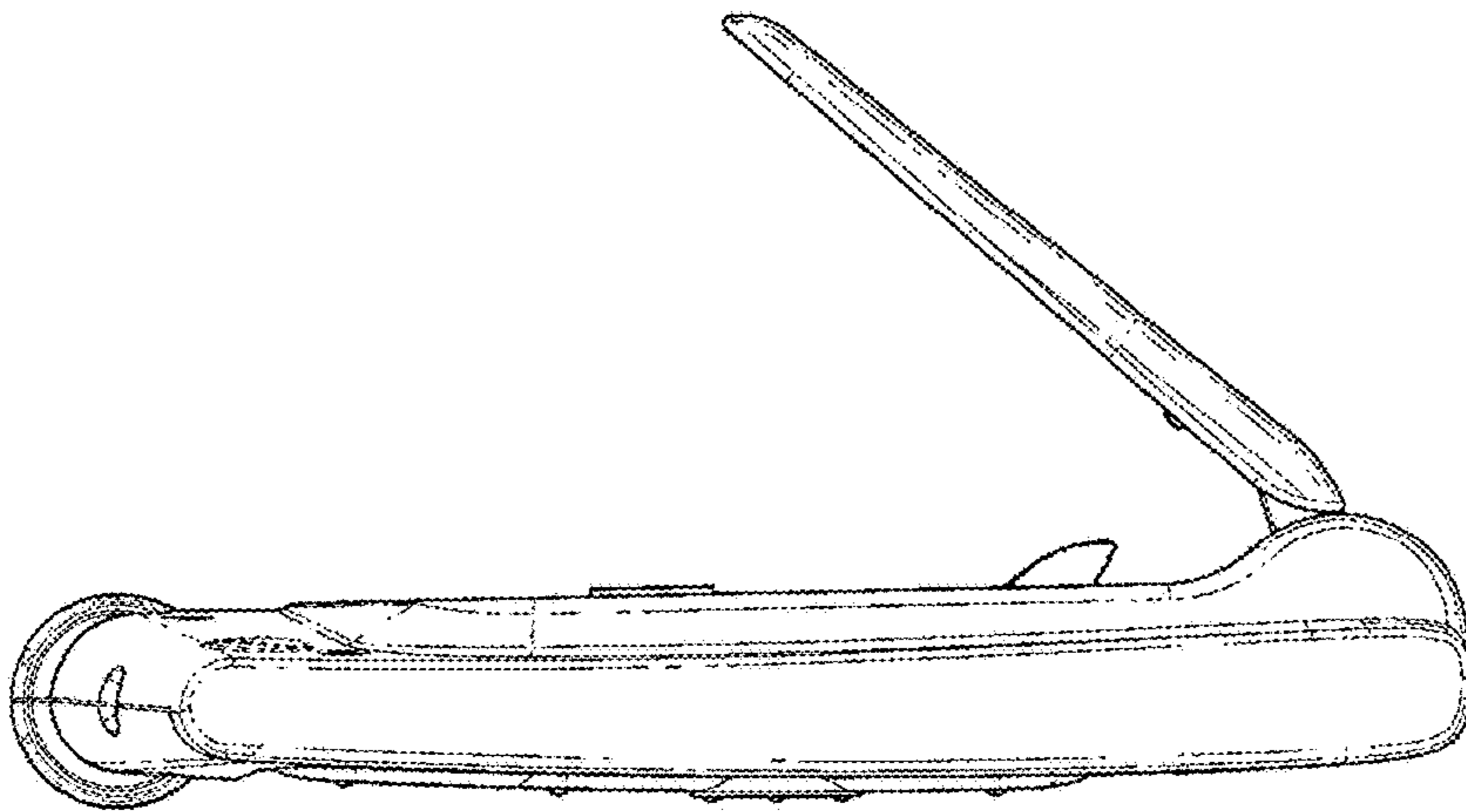


FIG. 11