



US00D829800S

(12) **United States Design Patent**  
**Heyden**

(10) **Patent No.:** **US D829,800 S**

(45) **Date of Patent:** **\*\* Oct. 2, 2018**

(54) **CAMERA**

(71) Applicant: **Hasselblad S.a.r.l.**, Luxembourg (LU)

(72) Inventor: **Pär Heyden**, Göteborg (SE)

(73) Assignee: **Hasselblad S.a.r.l.**, Luxembourg (LU)

(\*\*) Term: **15 Years**

(21) Appl. No.: **29/594,715**

(22) Filed: **Feb. 22, 2017**

(30) **Foreign Application Priority Data**

Sep. 14, 2016 (EP) ..... 003379072-0001

(51) **LOC (11) Cl.** ..... **16-01**

(52) **U.S. Cl.**  
USPC ..... **D16/202**

(58) **Field of Classification Search**  
USPC ..... D16/200, 202–206, 208, 217, 218, 219;  
348/340, 373–376; 396/89, 176–178,  
396/535, 539–541

CPC ..... G03B 15/03; G03B 17/02; G03B 17/04;  
G03B 17/56; G03B 19/04; H04N 5/2251;  
H04N 5/2252; H04N 5/2253; H04N  
5/2254; H04N 2101/00

See application file for complete search history.

(56) **References Cited**

**U.S. PATENT DOCUMENTS**

D250,958 S \* 1/1979 Hansen ..... D16/209  
D348,684 S \* 7/1994 Shiiba ..... D16/211

D413,912 S \* 9/1999 Hayashi ..... D16/217  
D415,513 S \* 10/1999 Fujii ..... D16/200  
D447,503 S \* 9/2001 Horikiri ..... D16/211  
6,349,173 B1 \* 2/2002 Kanai ..... G03B 17/04  
396/131  
6,356,712 B1 \* 3/2002 Motomura ..... G03B 17/50  
396/32  
6,397,006 B1 \* 5/2002 Sasaki ..... G03B 17/50  
347/2  
D488,496 S \* 4/2004 Katayama ..... D16/209  
D547,786 S \* 7/2007 Tainaka ..... D16/202  
D598,038 S \* 8/2009 Takahashi ..... D16/200  
D709,543 S \* 7/2014 Isozaki ..... D16/218  
D747,391 S \* 1/2016 Sakai ..... D16/218

\* cited by examiner

*Primary Examiner* — Philip S Hyder

*Assistant Examiner* — Ramzi S Almatrahi

(74) *Attorney, Agent, or Firm* — Anova Law Group,  
PLLC

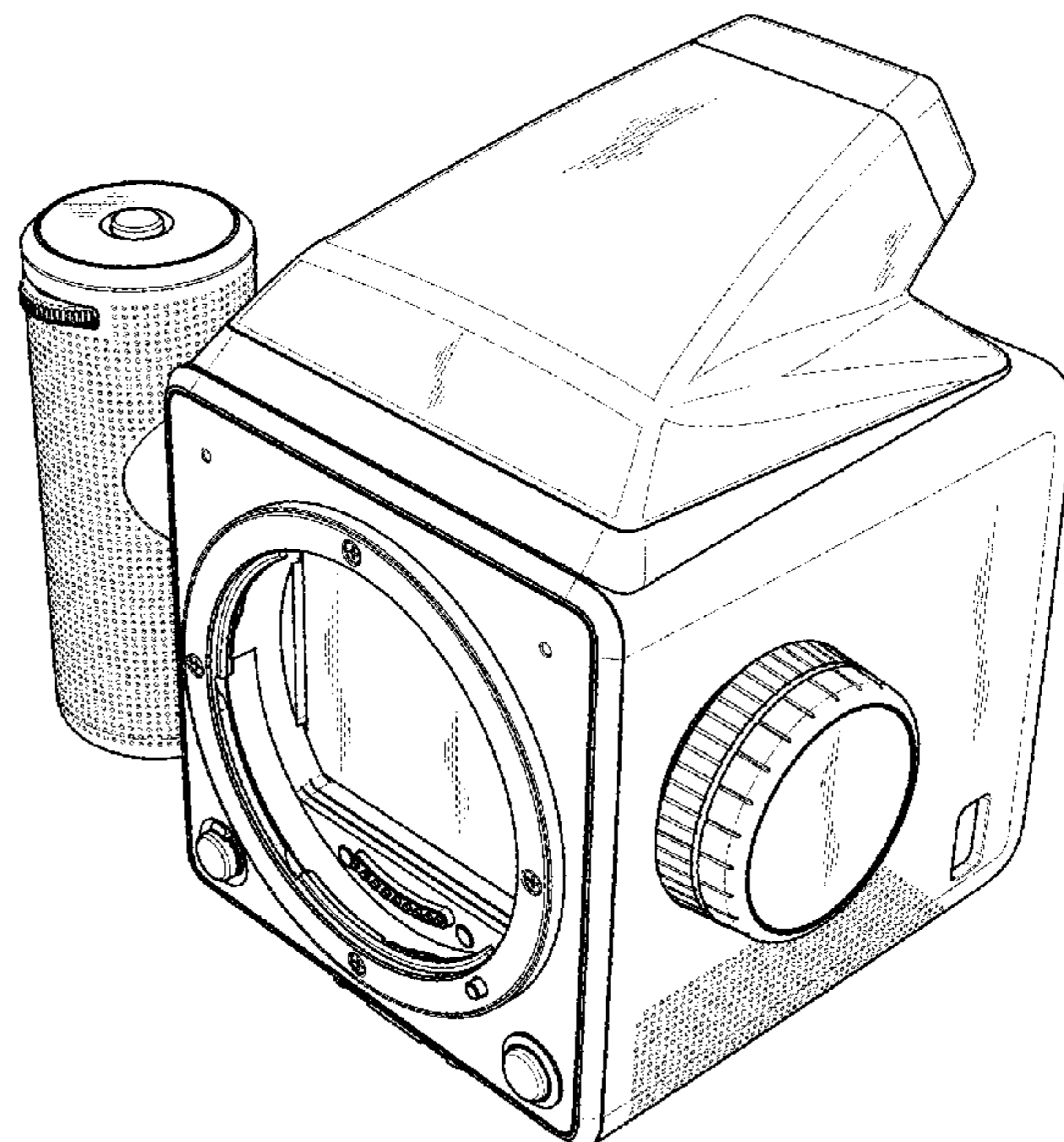
(57) **CLAIM**

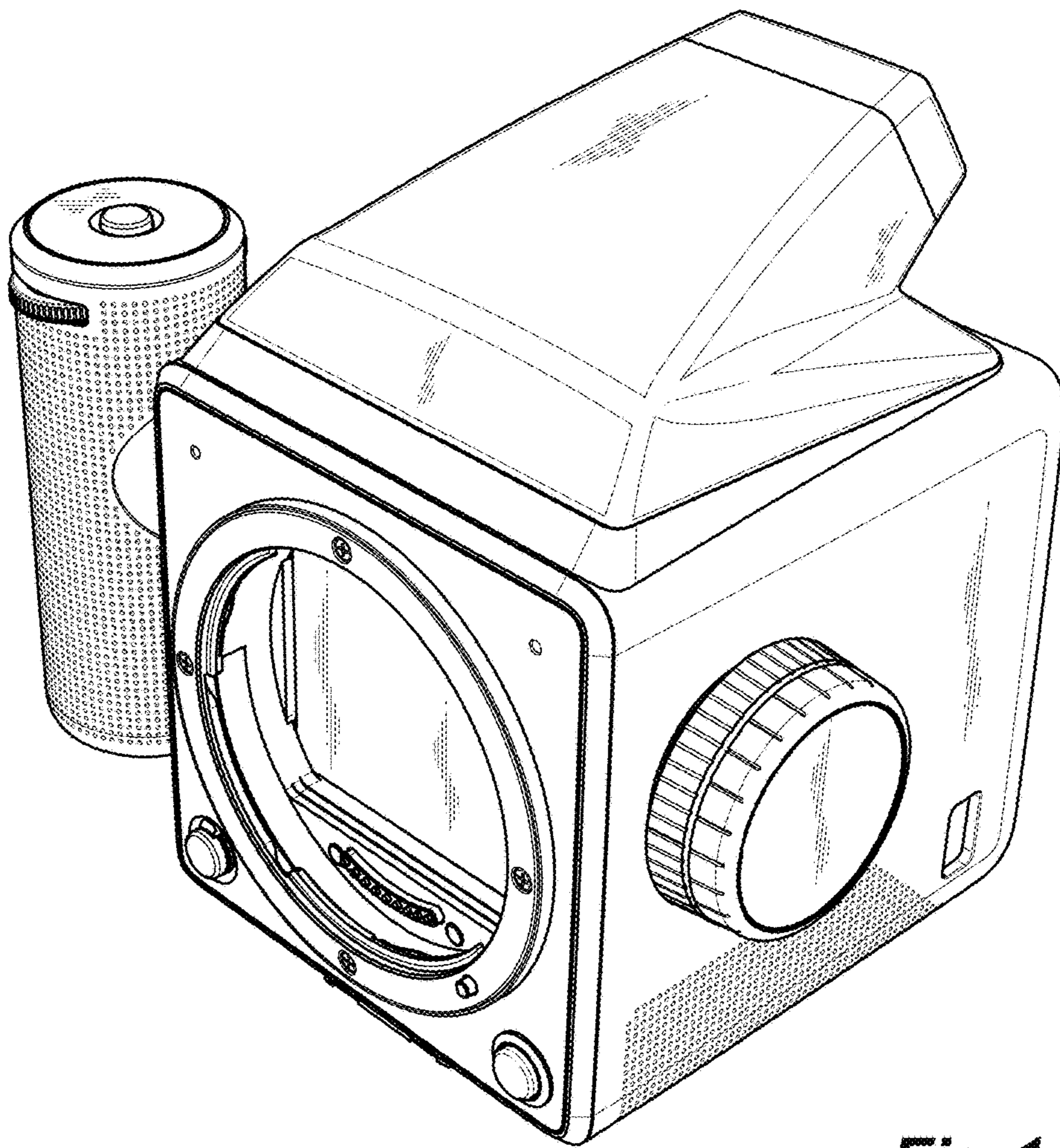
The ornamental design for a camera, as shown and described.

**DESCRIPTION**

FIG. 1 is a front perspective view of a camera showing my new design;  
FIG. 2 is a back elevation view thereof;  
FIG. 3 is a front elevation view thereof;  
FIG. 4 is a top plan view thereof;  
FIG. 5 is a right side elevation view thereof;  
FIG. 6 is a left side elevation view thereof; and,  
FIG. 7 is a bottom plan view thereof.

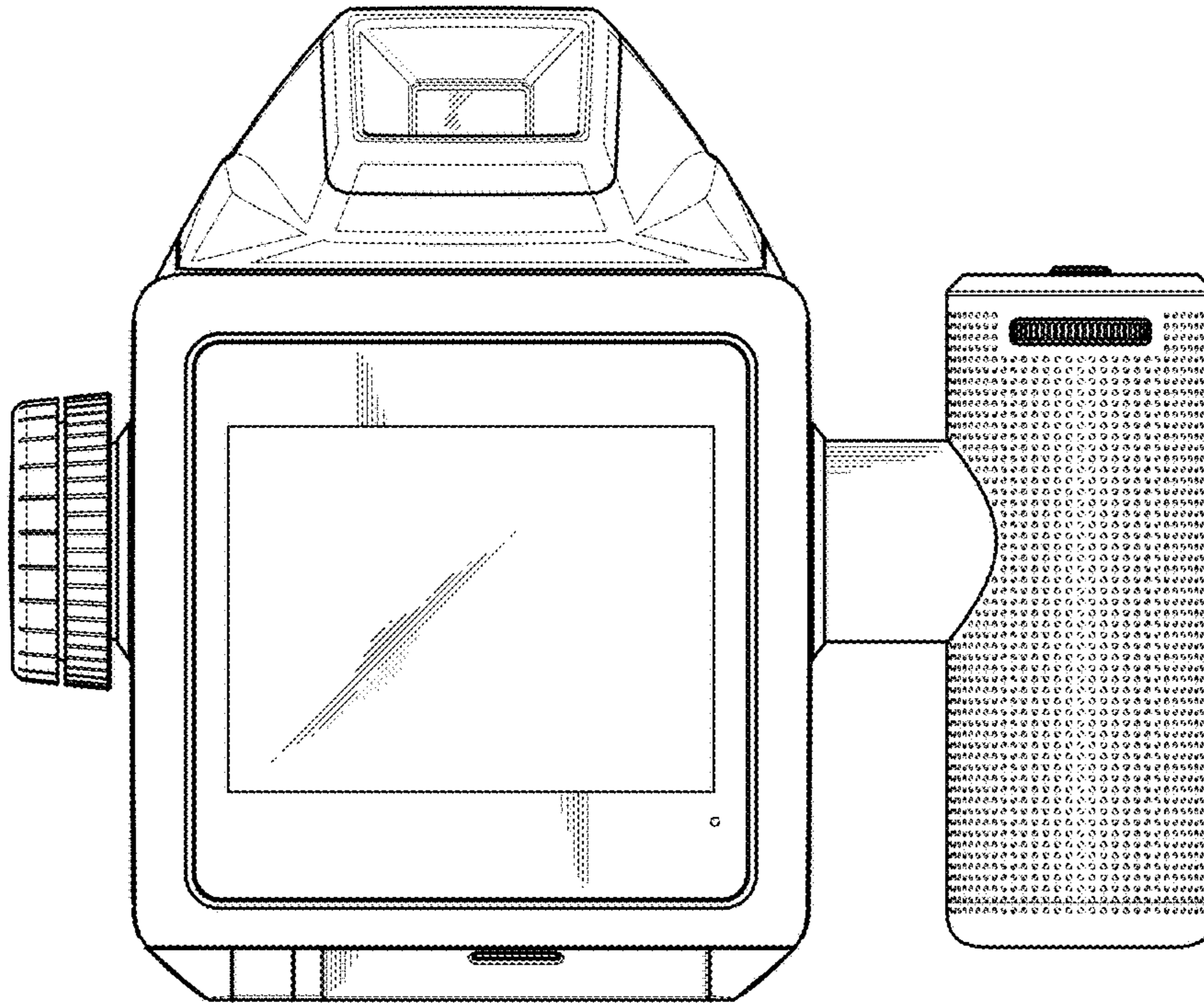
**1 Claim, 4 Drawing Sheets**



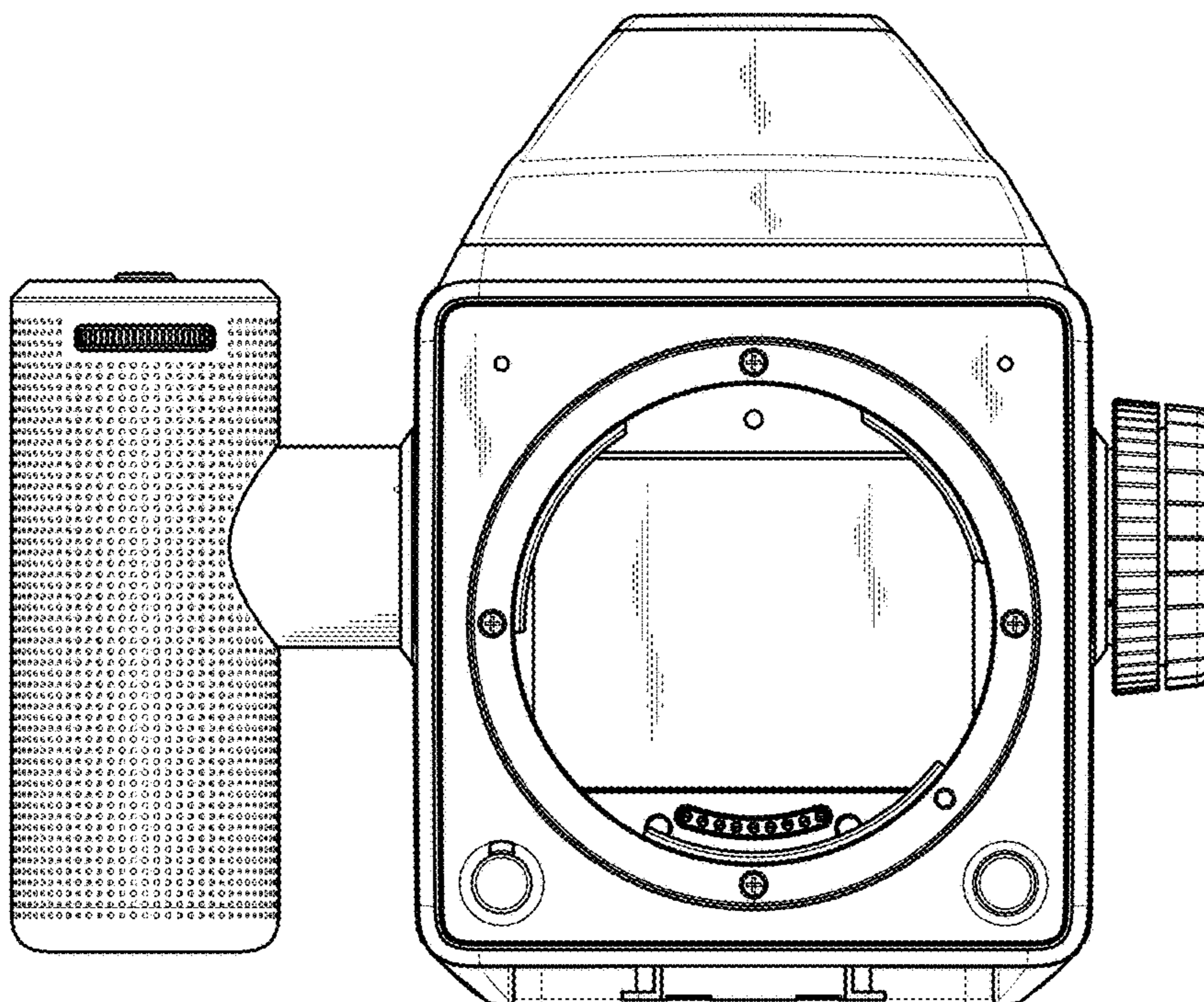


**Fig.1**

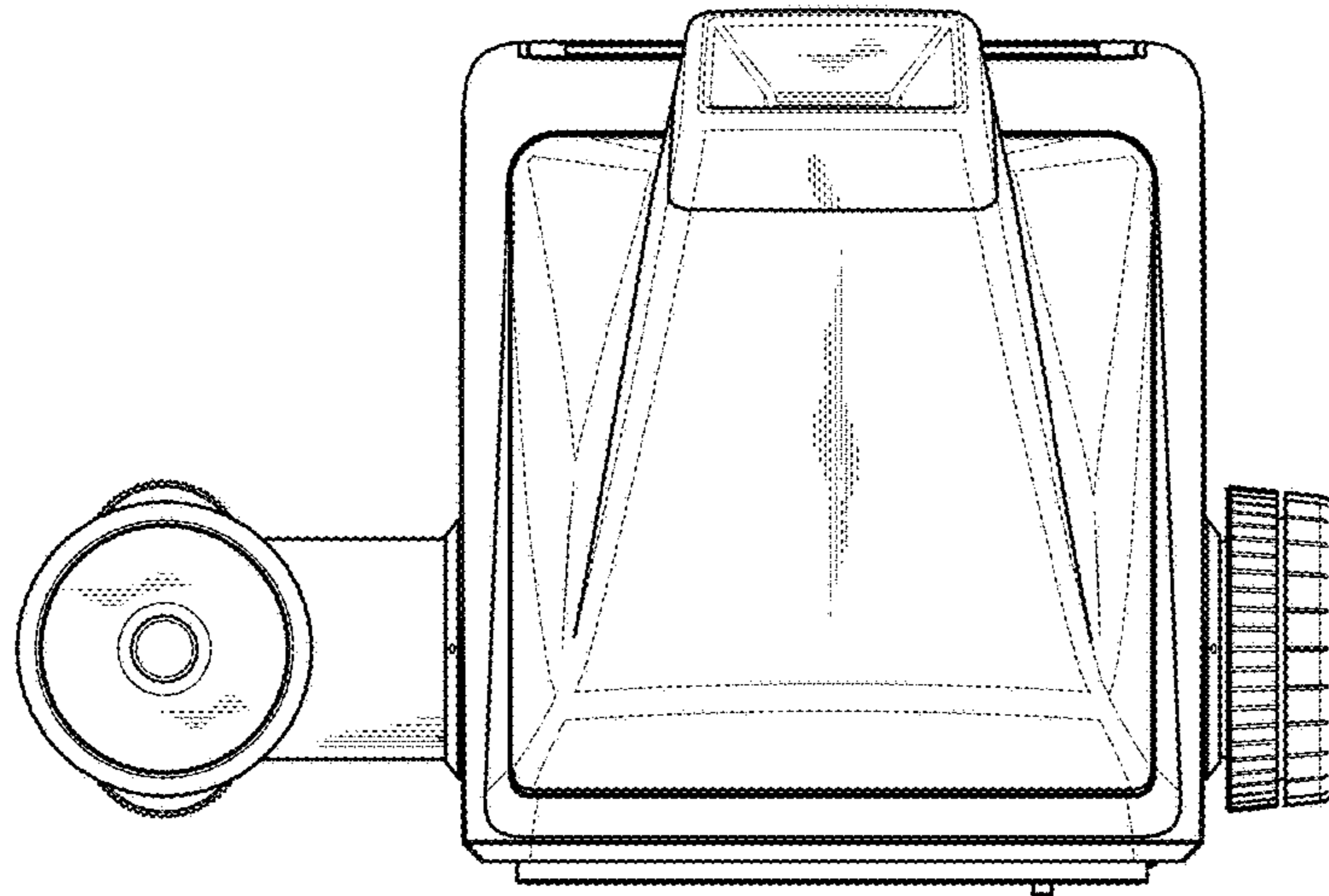




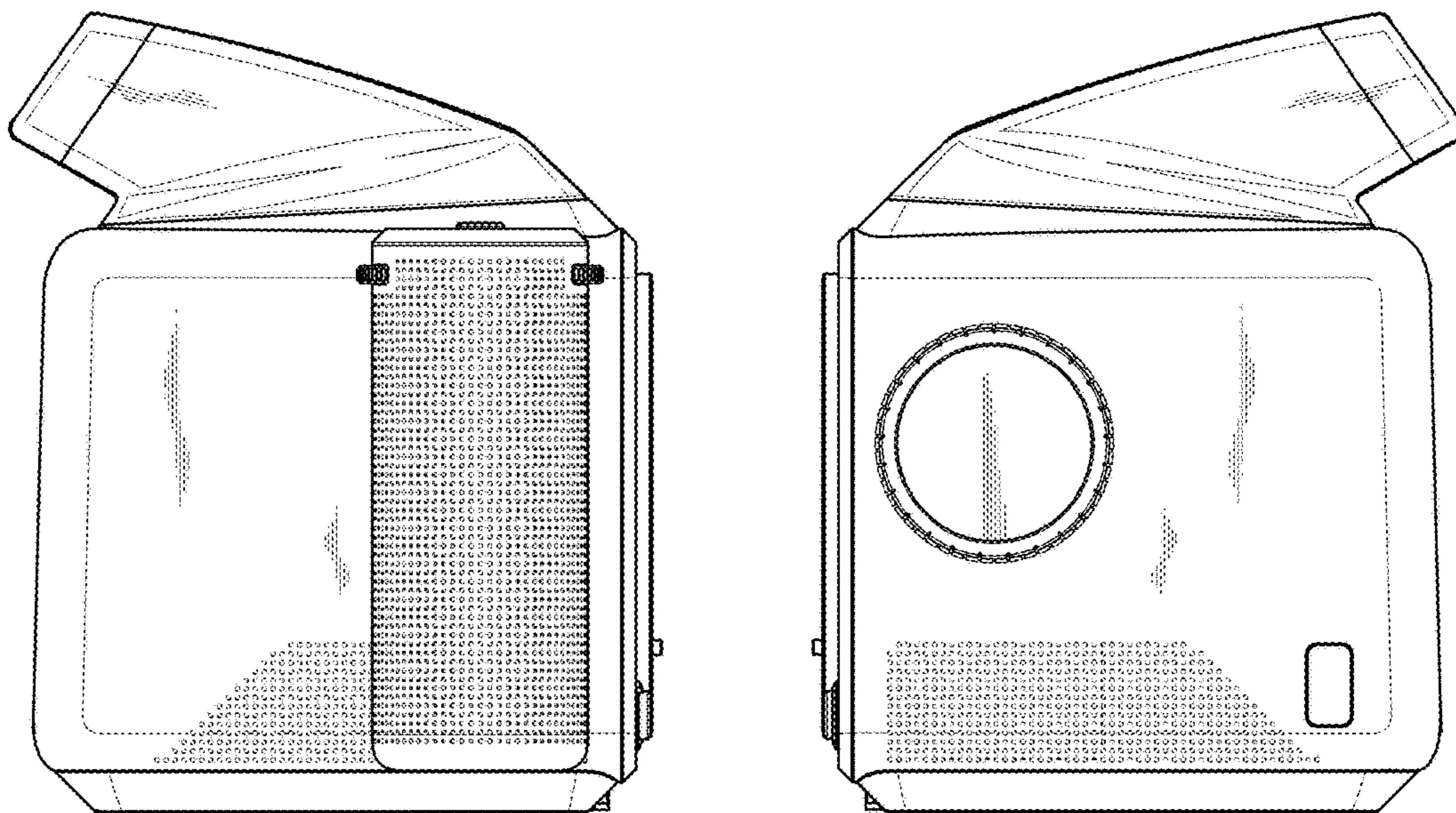
*Fig. 2*



*Fig. 3*

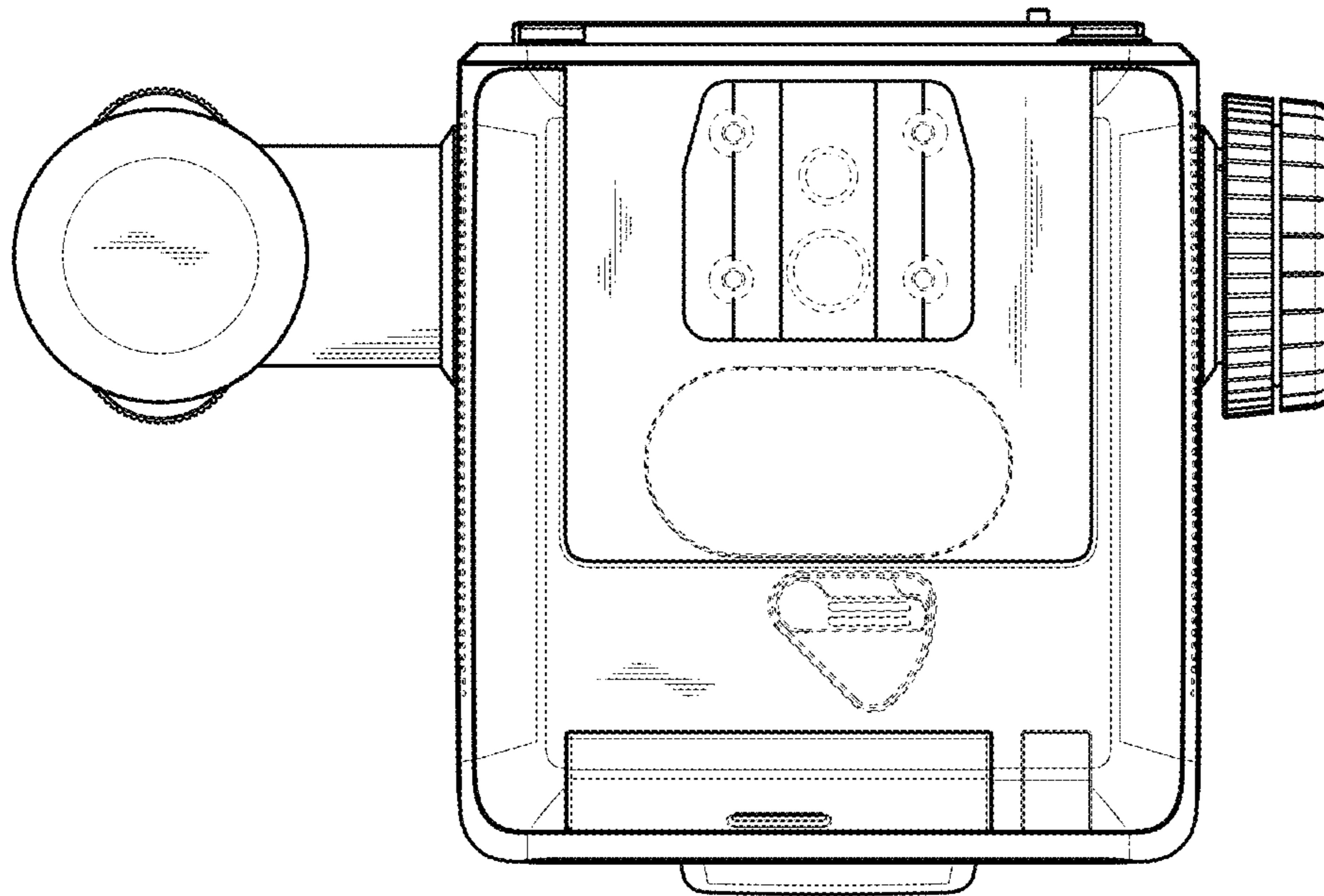


**Fig. 4**



**Fig. 5**

**Fig. 6**



**Fig.7**