



US00D829799S

(12) **United States Design Patent**
Piekarski et al.

(10) **Patent No.:** **US D829,799 S**
(45) **Date of Patent:** **** Oct. 2, 2018**

- (54) **CAMERA**
- (71) Applicant: **C & A Marketing, Inc.**, Edison, NJ (US)
- (72) Inventors: **Chayim Piekarski**, Brooklyn, NY (US); **Avraham Yeshayah Rosskamm**, Chestnut Ridge, NY (US); **Jonas Lagerstedt**, San Francisco, CA (US)
- (73) Assignee: **C & A Marketing, Inc.**, Edison, NJ (US)
- (**) Term: **15 Years**
- (21) Appl. No.: **29/589,829**
- (22) Filed: **Jan. 4, 2017**
Related U.S. Application Data
- (63) Continuation-in-part of application No. 29/561,526, filed on Apr. 17, 2016, and a continuation-in-part of application No. 29/561,527, filed on Apr. 17, 2016, now Pat. No. Des. 796,565.
- (51) **LOC (11) Cl.** **16-01**
- (52) **U.S. Cl.**
USPC **D16/202**
- (58) **Field of Classification Search**
USPC D16/200, 202–206, 208–209, 212, 218, D16/219; 348/373–376; 396/448, 535, 396/539–541
CPC G03B 15/03; G03B 17/02; G03B 17/04; G03B 17/56; G03B 19/04; H04N 5/2251; H04N 5/2252; H04N 5/2253; H04N 5/2254; H04N 2101/00
See application file for complete search history.

(56) **References Cited**

U.S. PATENT DOCUMENTS

- 7,646,426 B2 * 1/2010 Saiki G06F 1/1626 348/373
- D631,496 S 1/2011 Tainaka

D649,997 S 12/2011 Imai
D657,408 S 4/2012 Tainaka
(Continued)

FOREIGN PATENT DOCUMENTS

TW D121676 3/2008

Primary Examiner — Philip S Hyder

Assistant Examiner — Ramzi Almatrahi

(74) *Attorney, Agent, or Firm* — Weiss & Arons LLP; Avi Goldenberg, Esq.

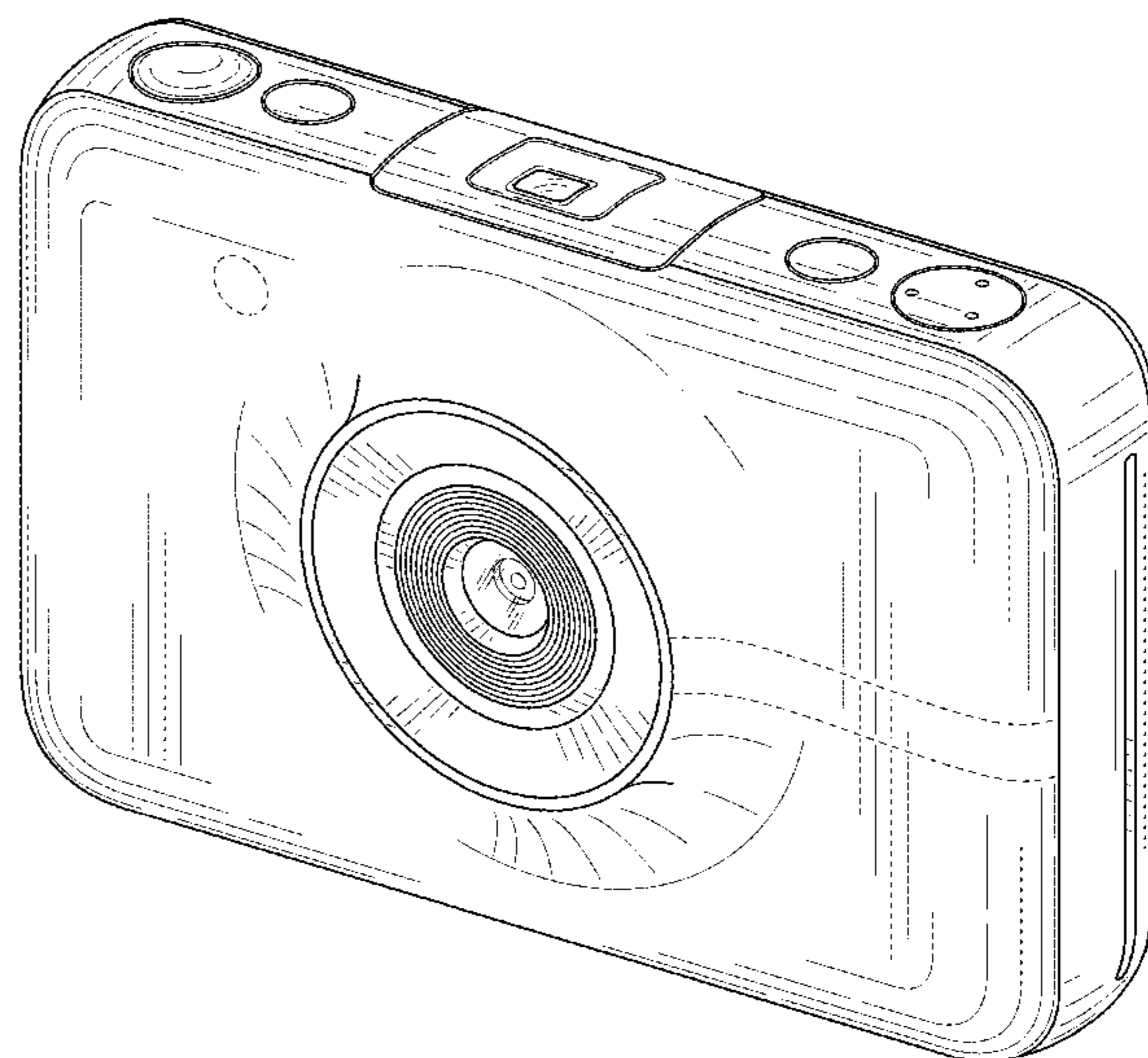
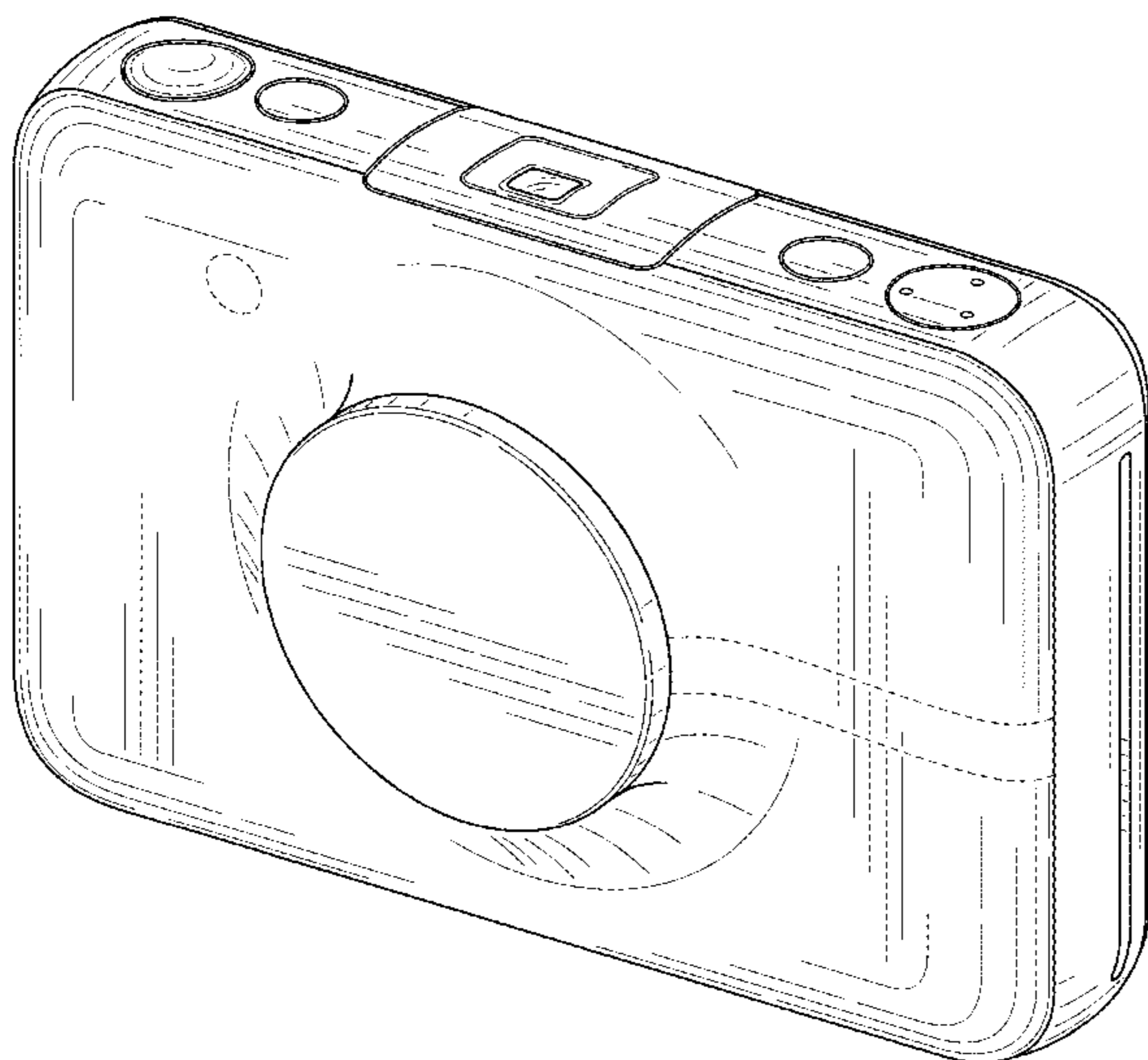
(57) **CLAIM**

We claim the ornamental design for a camera, as shown and described.

DESCRIPTION

FIG. 1 is a top, front and right side perspective view of a first embodiment of the camera showing our new design; FIG. 2 is a top, front and right side perspective view of a second embodiment of the camera showing our new design; FIG. 3 is a front elevational view of the first embodiment; FIG. 4 is a rear elevational view of the first embodiment and the second embodiment; FIG. 5 is a right side elevational view of the first embodiment; FIG. 6 is a left side elevational view of the first embodiment; FIG. 7 is a left side elevational view of a third embodiment of the camera showing our new design, all other views being identical to those shown of the first embodiment; FIG. 8 is a top plan view of the first embodiment; and, FIG. 9 is a bottom plan view of the first embodiment. The broken lines depict portions of the camera in which the design is embodied that form no part of the claimed design.

1 Claim, 4 Drawing Sheets



(56)

References Cited

U.S. PATENT DOCUMENTS

D668,281	S	*	10/2012	Nakamura	D16/202
D681,710	S		5/2013	Sato		
D683,781	S	*	6/2013	Imai	D16/202
D684,204	S		6/2013	Uemachi		
D689,535	S	*	9/2013	Nojima	D16/202
D695,329	S	*	12/2013	Fujita	D16/202
D695,805	S	*	12/2013	Sakai	D16/202
D695,807	S		12/2013	Tainaka		
D695,808	S	*	12/2013	Takahashi	D16/202
D697,960	S		1/2014	Sato		
D698,839	S		2/2014	Sato		
D701,257	S		3/2014	Ogawa		
D702,748	S	*	4/2014	Muraki	D16/202
D707,742	S	*	6/2014	Imamizu	D16/202
D716,862	S		11/2014	Hoshi		
D717,353	S	*	11/2014	Kobayashi	D16/202
D721,118	S	*	1/2015	Chai	D16/209
D749,659	S		2/2016	Kamei		
2002/0041765	A1	*	4/2002	Onda	G03B 17/02 396/538
2011/0109790	A1		5/2011	Shinohara et al.		
2011/0181771	A1	*	7/2011	Hazama	G03B 15/05 348/371
2011/0216237	A1		9/2011	Shinohara et al.		
2011/0298970	A1		12/2011	Shinohara et al.		

* cited by examiner

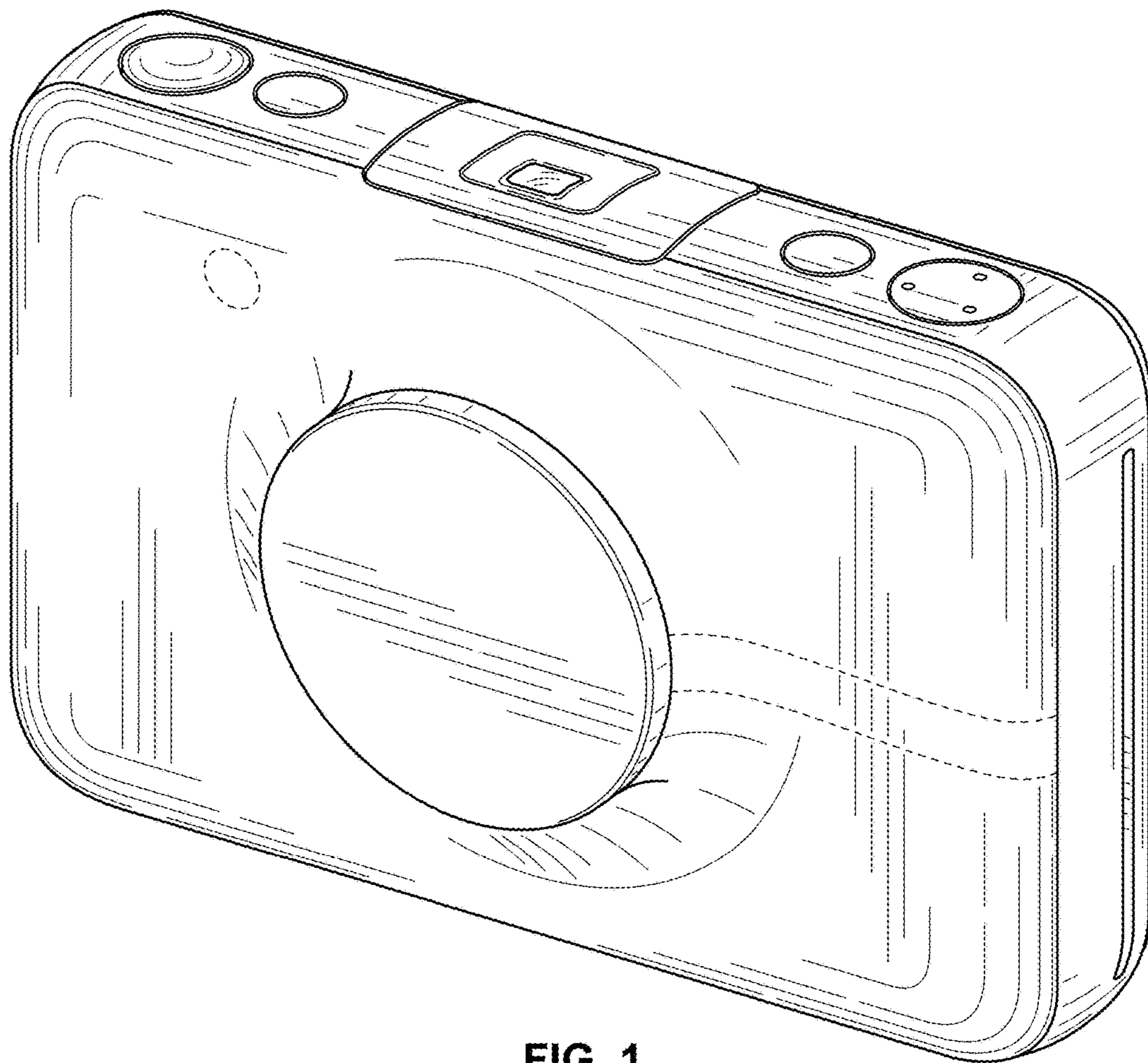


FIG. 1

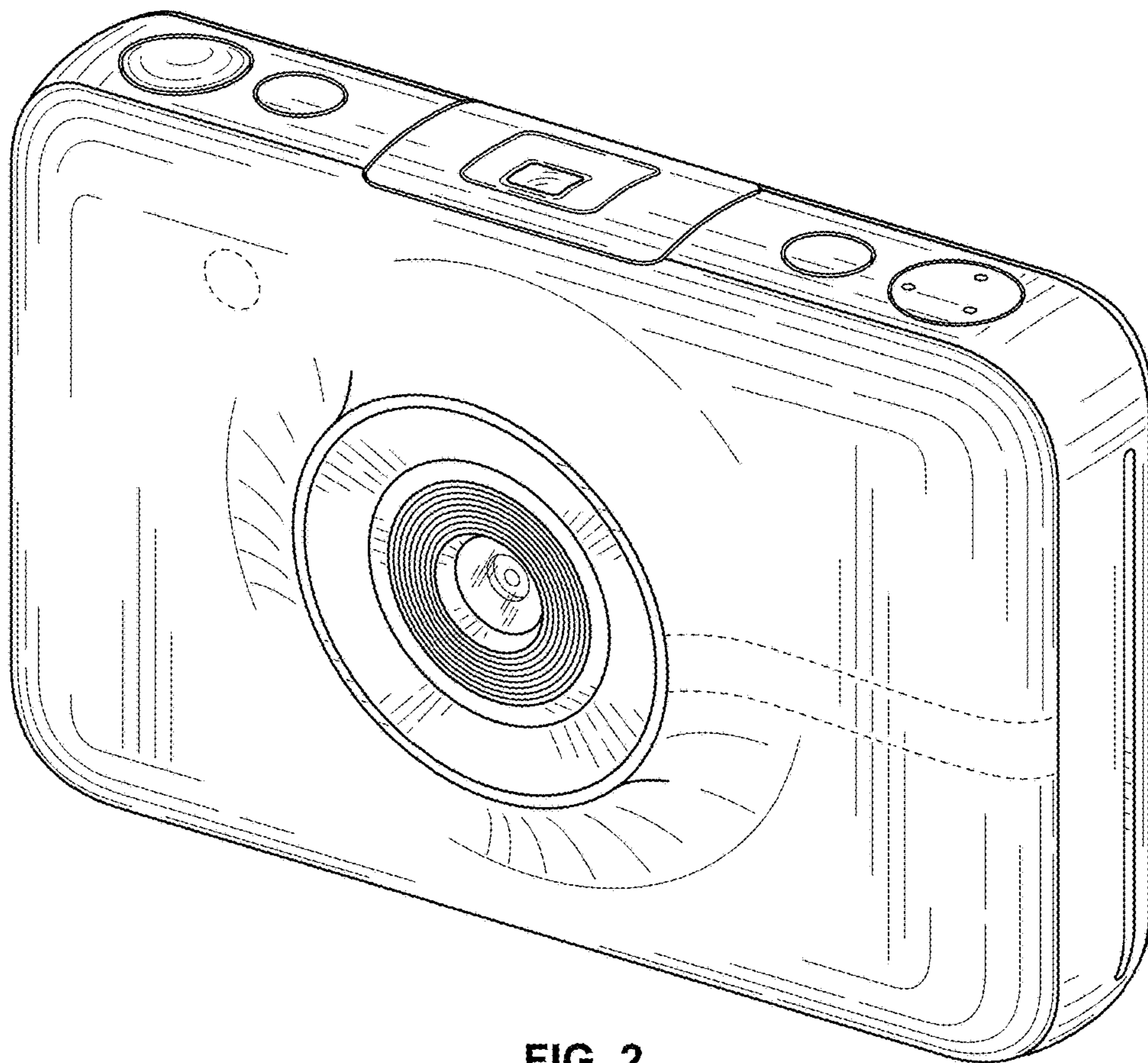


FIG. 2

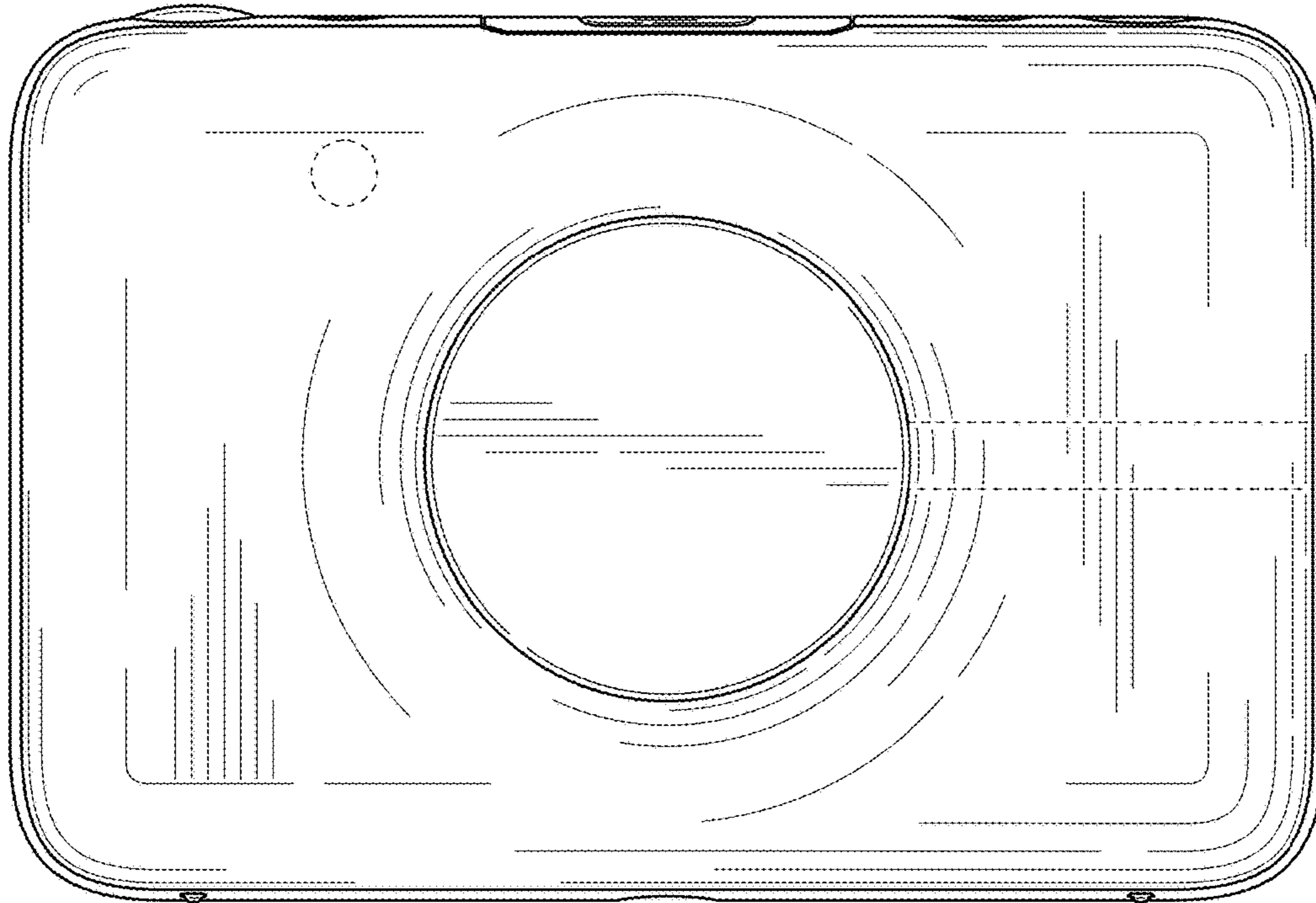


FIG. 3

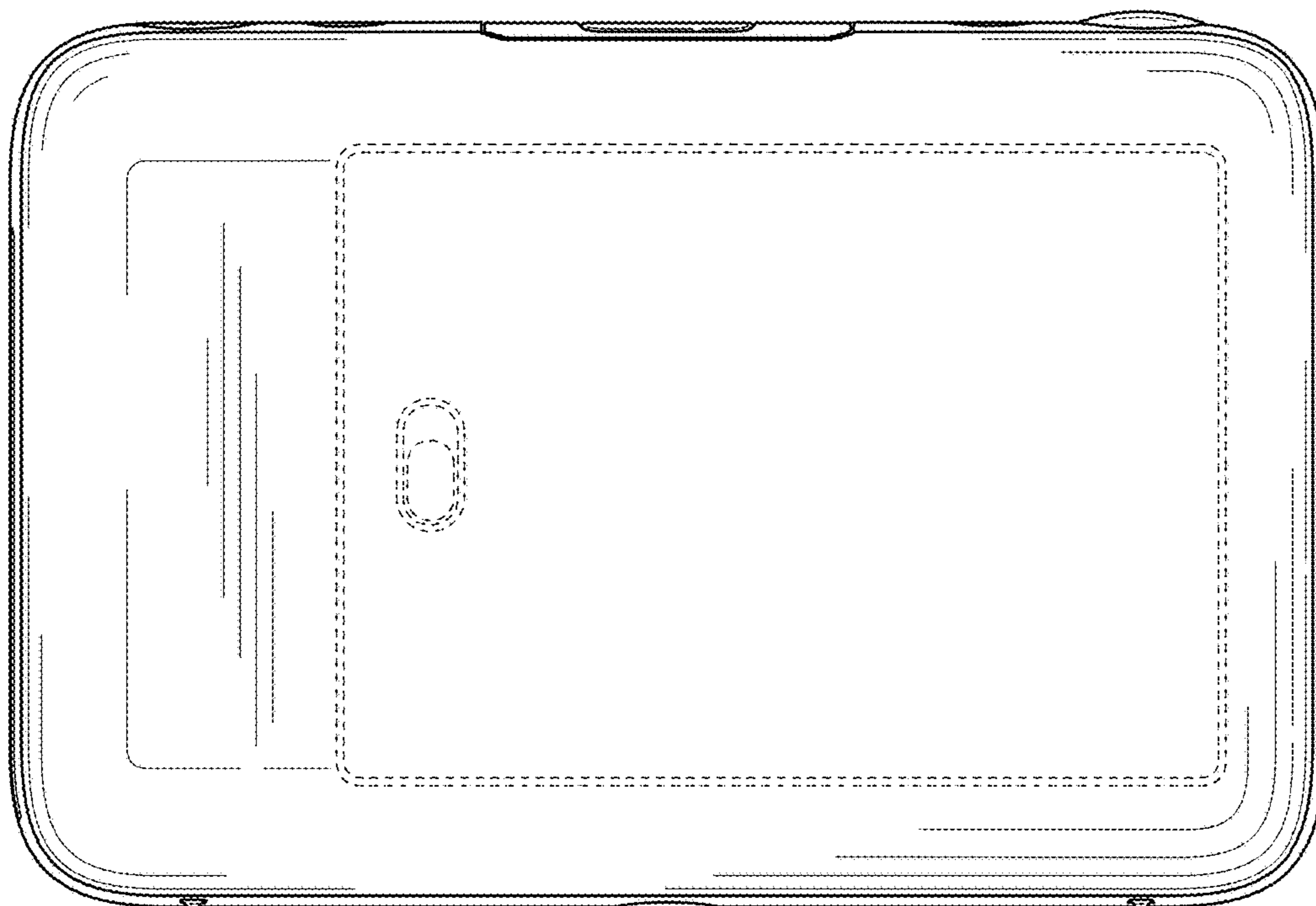


FIG. 4

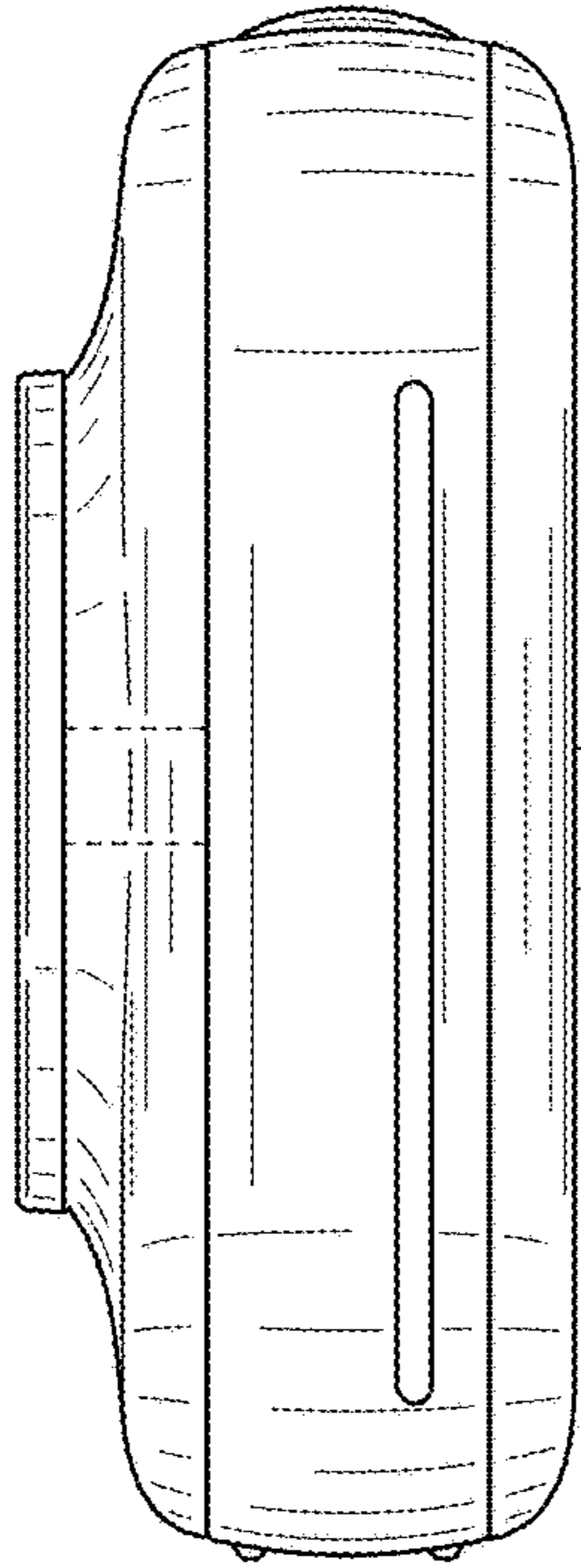


FIG. 5

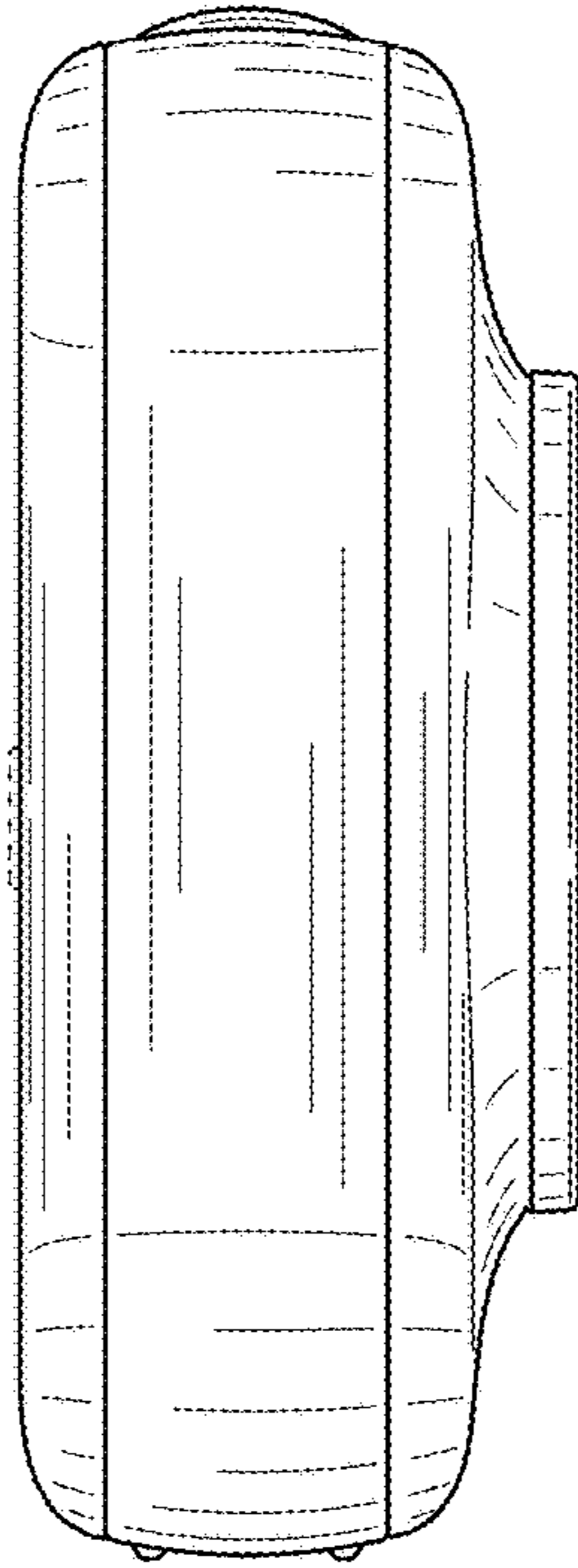


FIG. 6

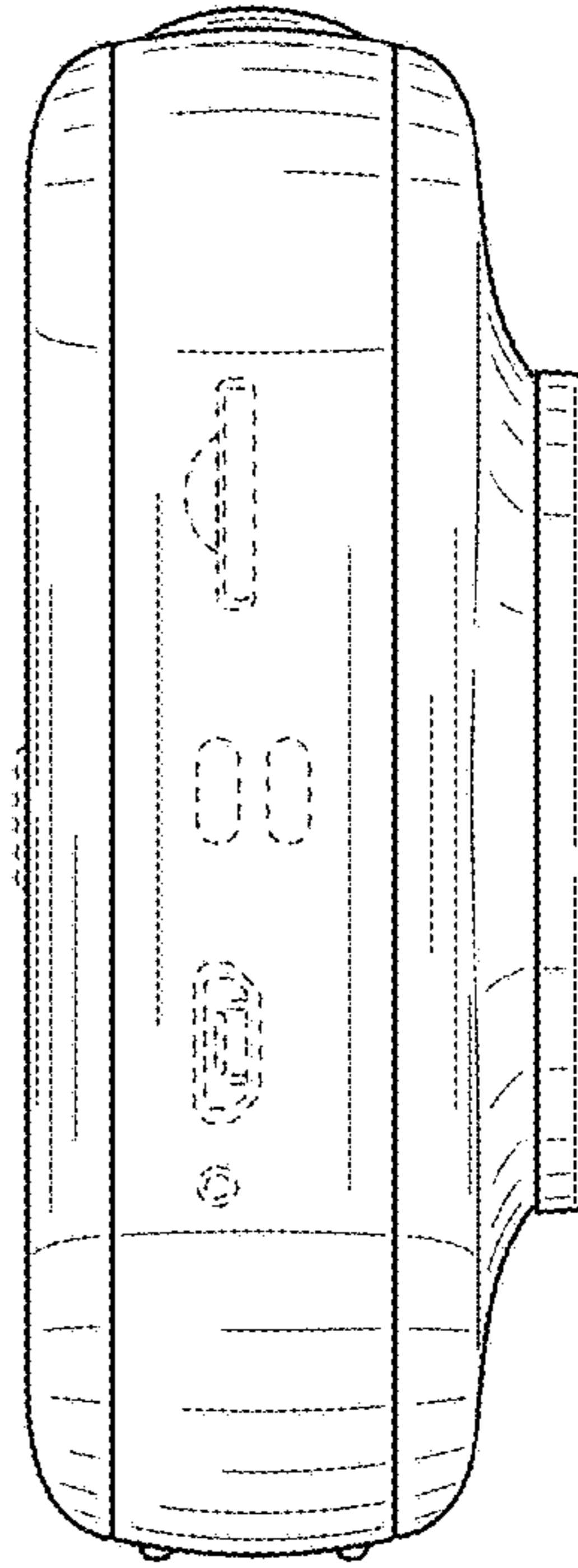


FIG. 7

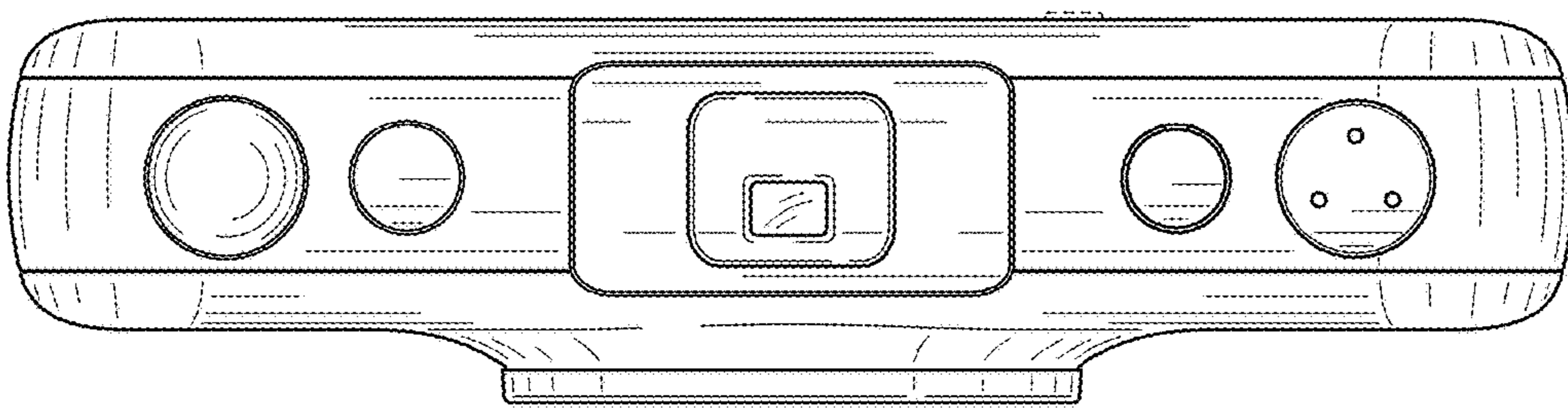


FIG. 8

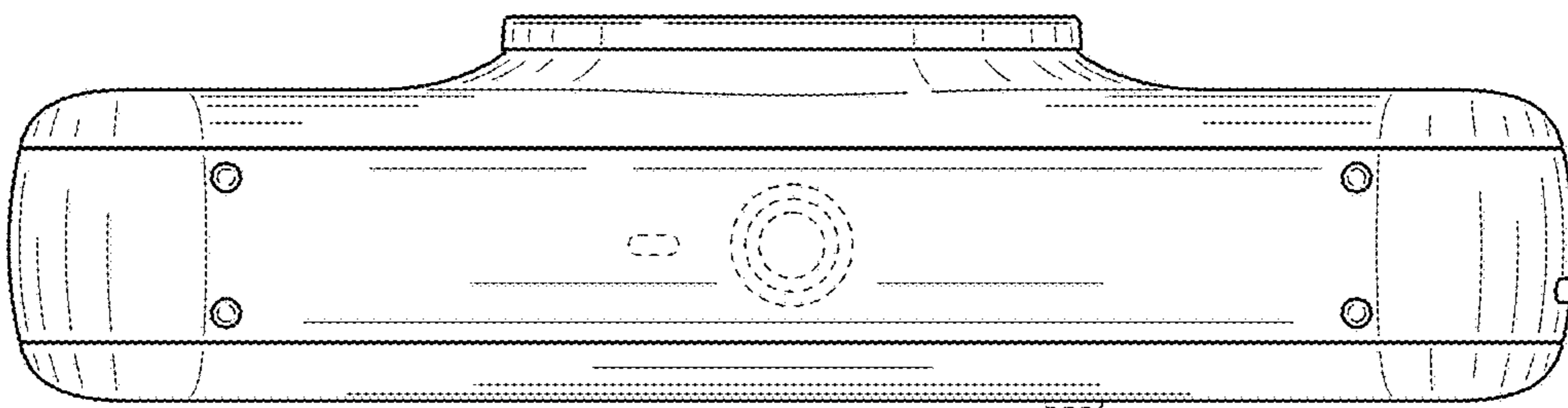


FIG. 9