



US00D829798S

(12) **United States Design Patent**  
**Lagerstedt**

(10) **Patent No.:** **US D829,798 S**

(45) **Date of Patent:** **\*\* Oct. 2, 2018**

(54) **CAMERA**

(71) Applicant: **C & A MARKETING, INC.**,  
Ridgefield Park, NJ (US)

(72) Inventor: **Jonas Lagerstedt**, San Francisco, CA  
(US)

(73) Assignee: **C & A Marketing, Inc.**, Edison, NJ  
(US)

(\*\*) Term: **15 Years**

(21) Appl. No.: **29/561,526**

(22) Filed: **Apr. 17, 2016**

(51) **LOC (11) Cl.** ..... **16-01**

(52) **U.S. Cl.**  
USPC ..... **D16/202**

(58) **Field of Classification Search**  
USPC ..... D16/200, 202-206, 208-209, 212, 218,  
D16/219; 348/373-376; 396/448, 535,  
396/539-541

CPC ..... G03B 15/03; G03B 17/02; G03B 17/04;  
G03B 17/56; G03B 19/04; H04N 5/2251;  
H04N 5/2252; H04N 5/2253; H04N  
5/2254; H04N 2101/00

See application file for complete search history.

(56) **References Cited**

**U.S. PATENT DOCUMENTS**

|                |         |                |             |
|----------------|---------|----------------|-------------|
| 7,646,426 B2 * | 1/2010  | Saiki .....    | G06F 1/1626 |
|                |         |                | 348/373     |
| D631,496 S     | 1/2011  | Tainaka        |             |
| D649,997 S     | 12/2011 | Imai           |             |
| D657,408 S     | 4/2012  | Tainaka        |             |
| D668,281 S *   | 10/2012 | Nakamura ..... | D16/202     |
| D681,710 S     | 5/2013  | Sato           |             |
| D683,781 S *   | 6/2013  | Imai .....     | D16/202     |
| D684,204 S *   | 6/2013  | Uemachi .....  | D16/200     |
| D689,535 S *   | 9/2013  | Nojima .....   | D16/202     |

|                 |         |                  |         |
|-----------------|---------|------------------|---------|
| D695,329 S *    | 12/2013 | Fujita .....     | D16/202 |
| D695,805 S *    | 12/2013 | Sakai .....      | D16/202 |
| D695,807 S      | 12/2013 | Tainaka          |         |
| D695,808 S *    | 12/2013 | Takahashi .....  | D16/202 |
| D697,960 S      | 1/2014  | Sato             |         |
| D698,839 S      | 2/2014  | Sato             |         |
| D701,257 S      | 3/2014  | Ogawa            |         |
| D702,748 S *    | 4/2014  | Muraki .....     | D16/202 |
| D707,742 S *    | 6/2014  | Imamizu .....    | D16/202 |
| D716,862 S      | 11/2014 | Hoshi            |         |
| D717,353 S *    | 11/2014 | Kobayashi .....  | D16/202 |
| D721,118 S      | 1/2015  | Chai             |         |
| D749,659 S      | 2/2016  | Kamei            |         |
| 2002/0041765 A1 | 4/2002  | Onda et al.      |         |
| 2011/0109790 A1 | 5/2011  | Shinohara et al. |         |

(Continued)

**FOREIGN PATENT DOCUMENTS**

TW D121676 3/2008

*Primary Examiner* — Philip S Hyder

*Assistant Examiner* — Ramzi S Almatrahi

(74) *Attorney, Agent, or Firm* — Weiss & Arons LLP; Avi  
Goldenberg, Esq.

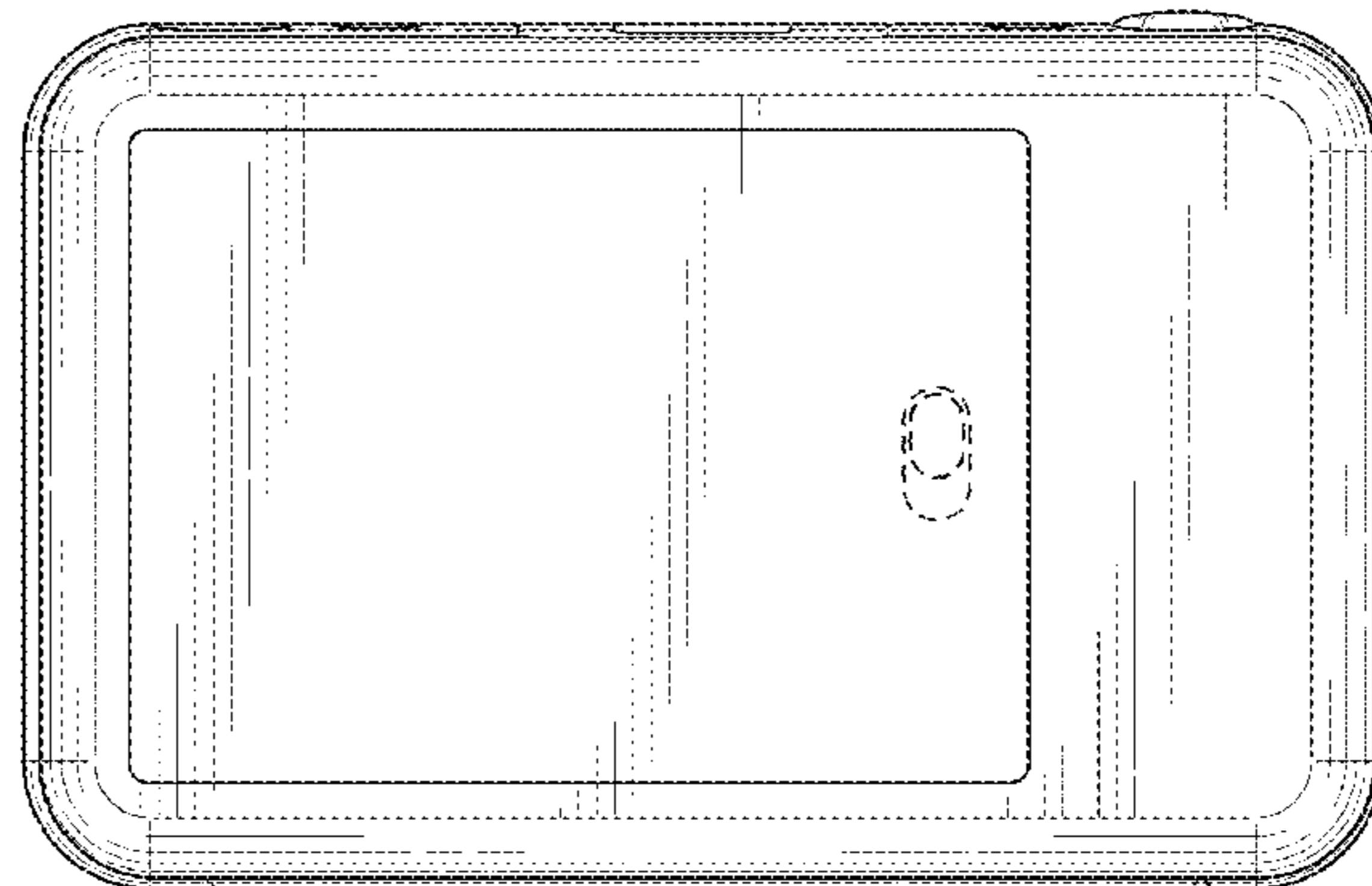
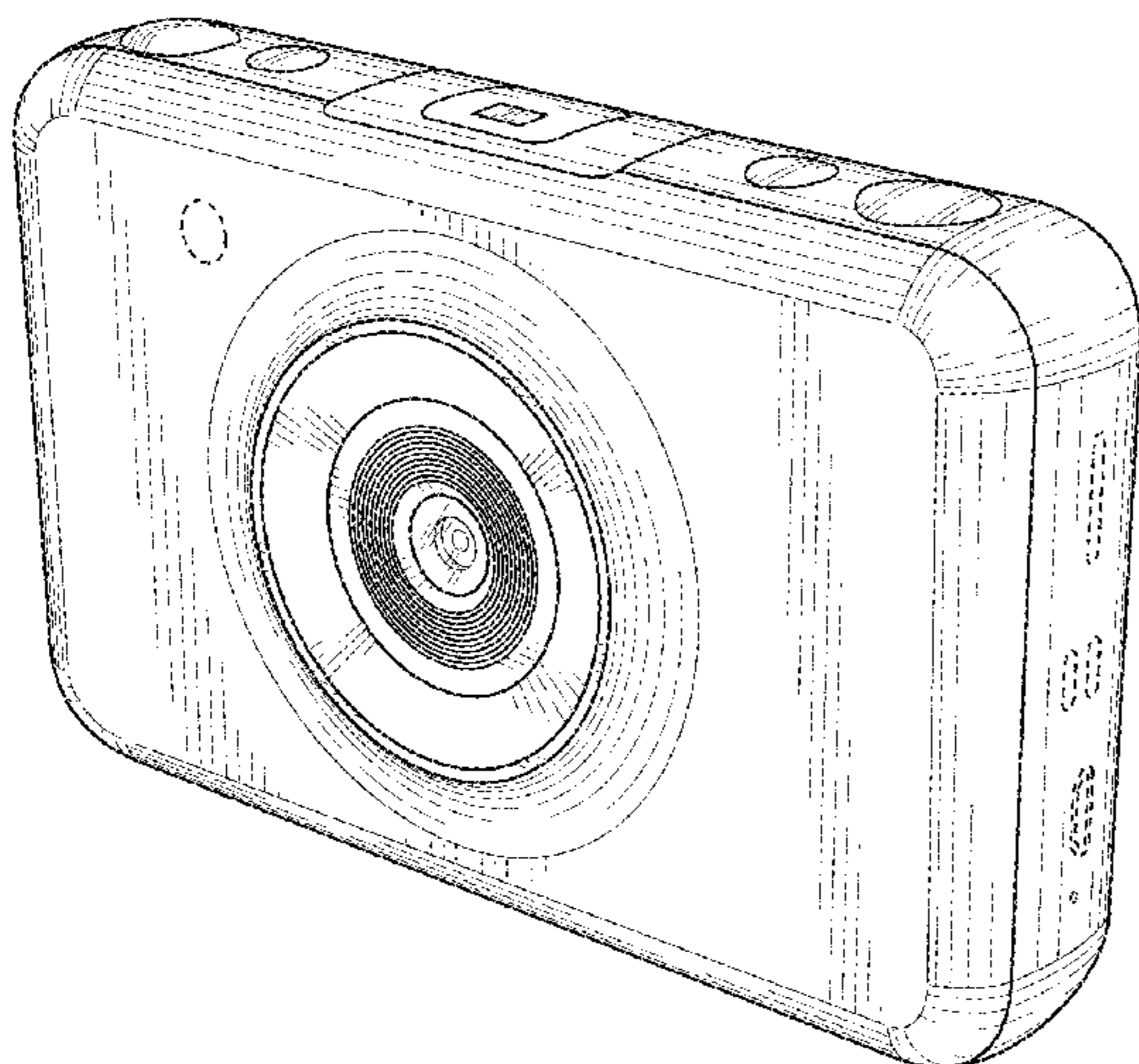
(57) **CLAIM**

I claim the ornamental design for a camera, as shown and  
described.

**DESCRIPTION**

FIG. 1 is a top, front and right side perspective view of a  
camera showing my new design;  
FIG. 2 is a right side elevational view thereof;  
FIG. 3 is a left side elevational view thereof;  
FIG. 4 is a front elevational view thereof;  
FIG. 5 is a rear elevational view thereof;  
FIG. 6 is a top plan view thereof; and,  
FIG. 7 is a bottom plan view thereof.  
The broken lines depict portions of the camera in which the  
design is embodied that form no part of the claimed design.

**1 Claim, 4 Drawing Sheets**



(56)

**References Cited**

U.S. PATENT DOCUMENTS

2011/0181771 A1\* 7/2011 Hazama ..... G03B 15/05  
348/371  
2011/0216237 A1 9/2011 Shinohara et al.  
2011/0298970 A1 12/2011 Shinohara et al.

\* cited by examiner

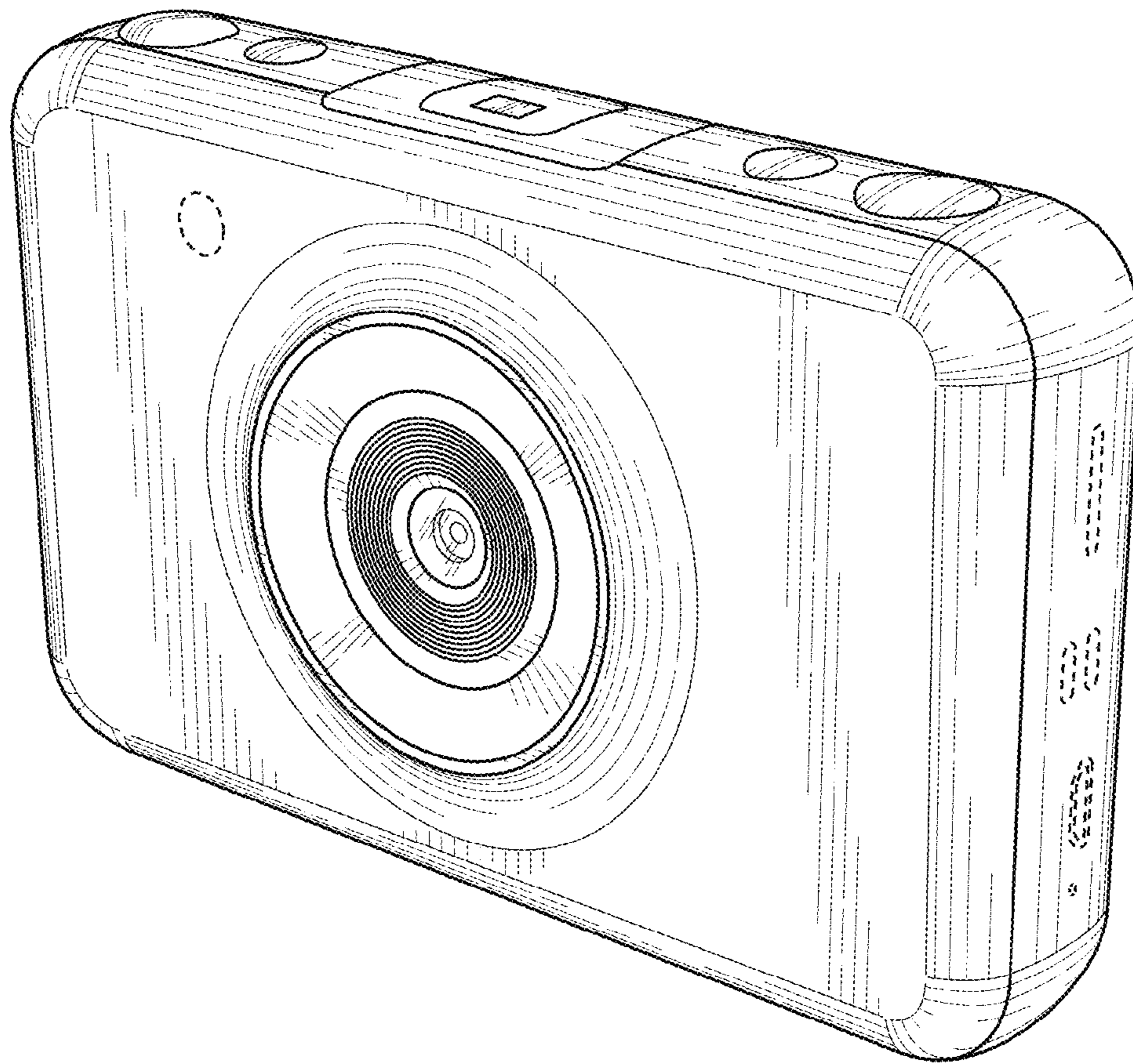


FIG. 1

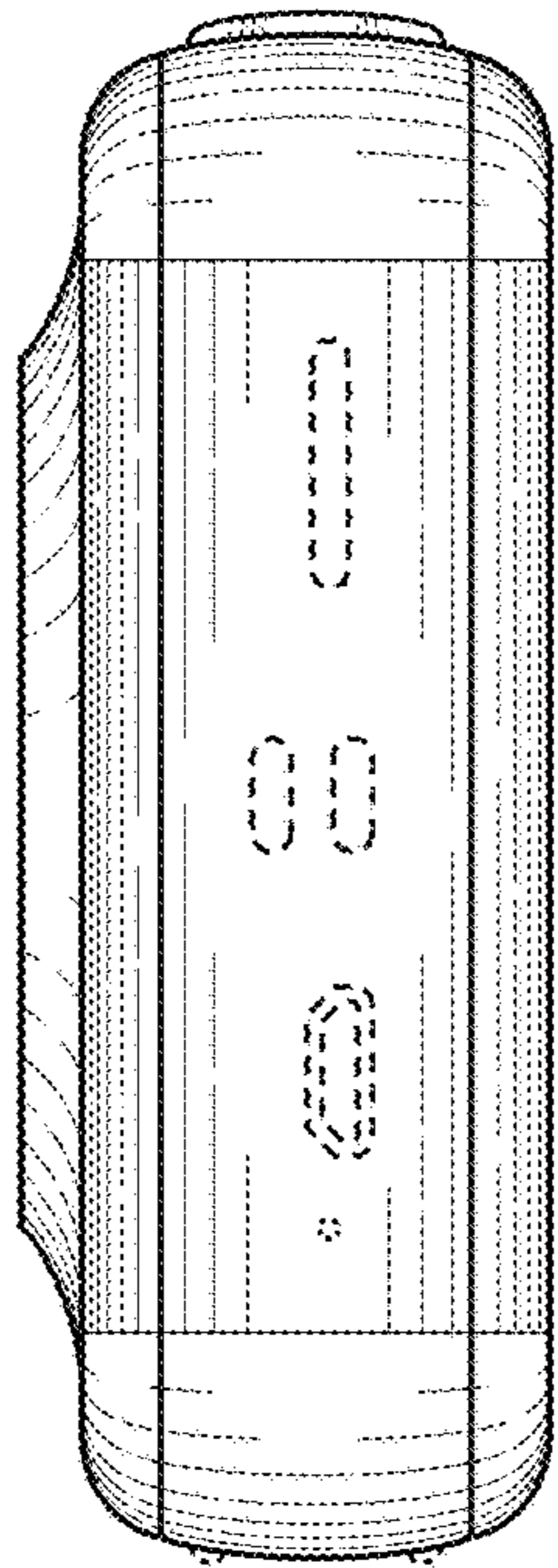


FIG. 2

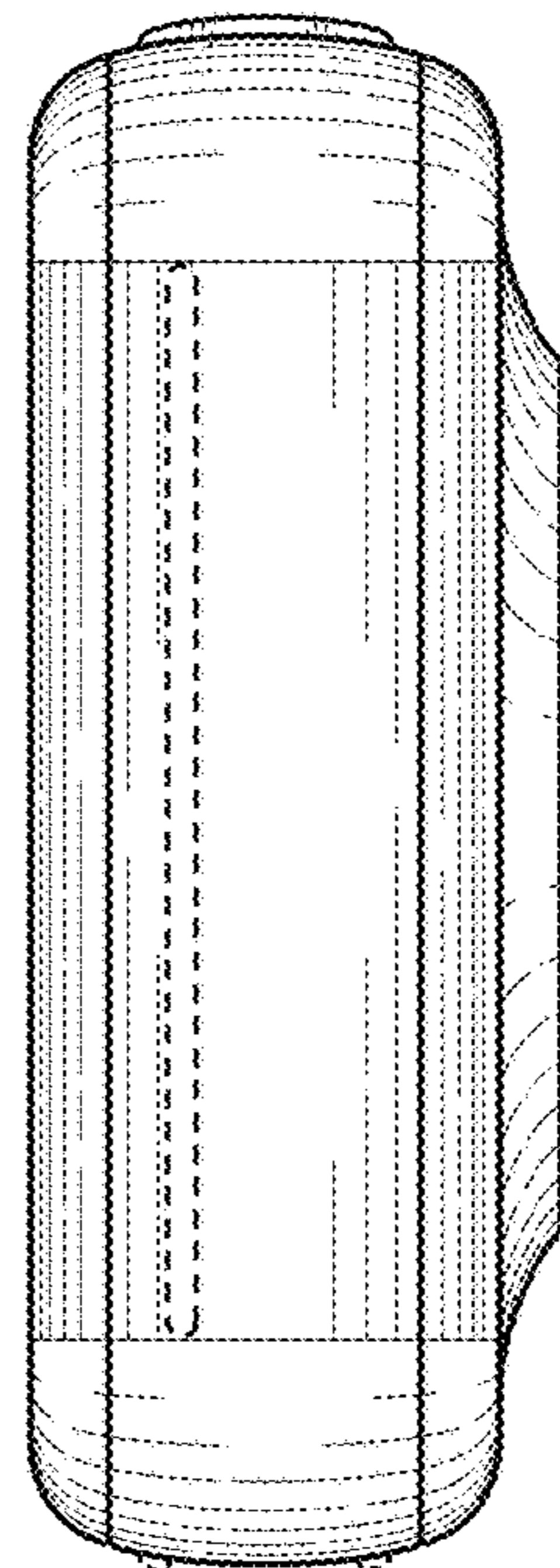


FIG. 3

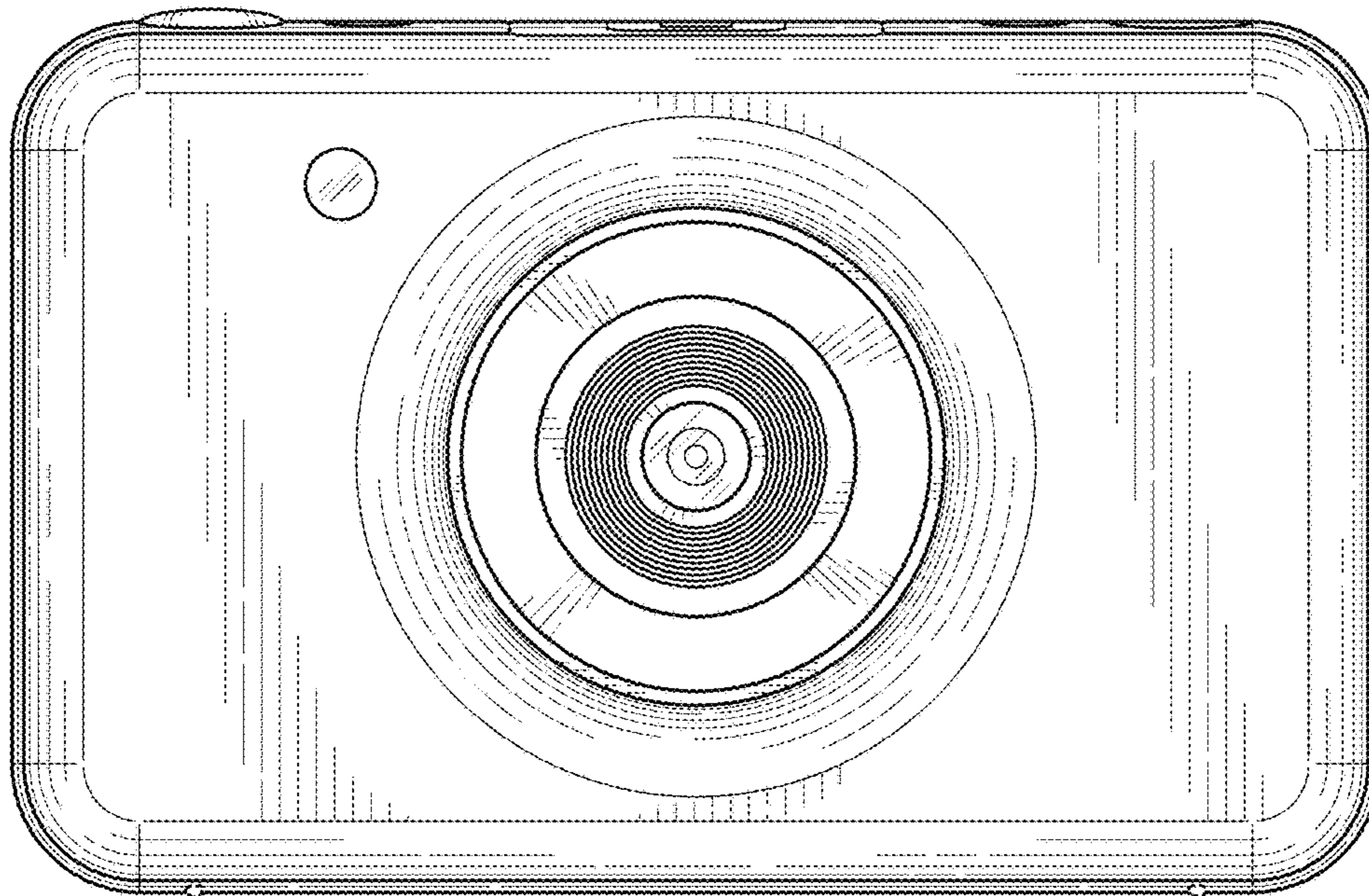


FIG. 4

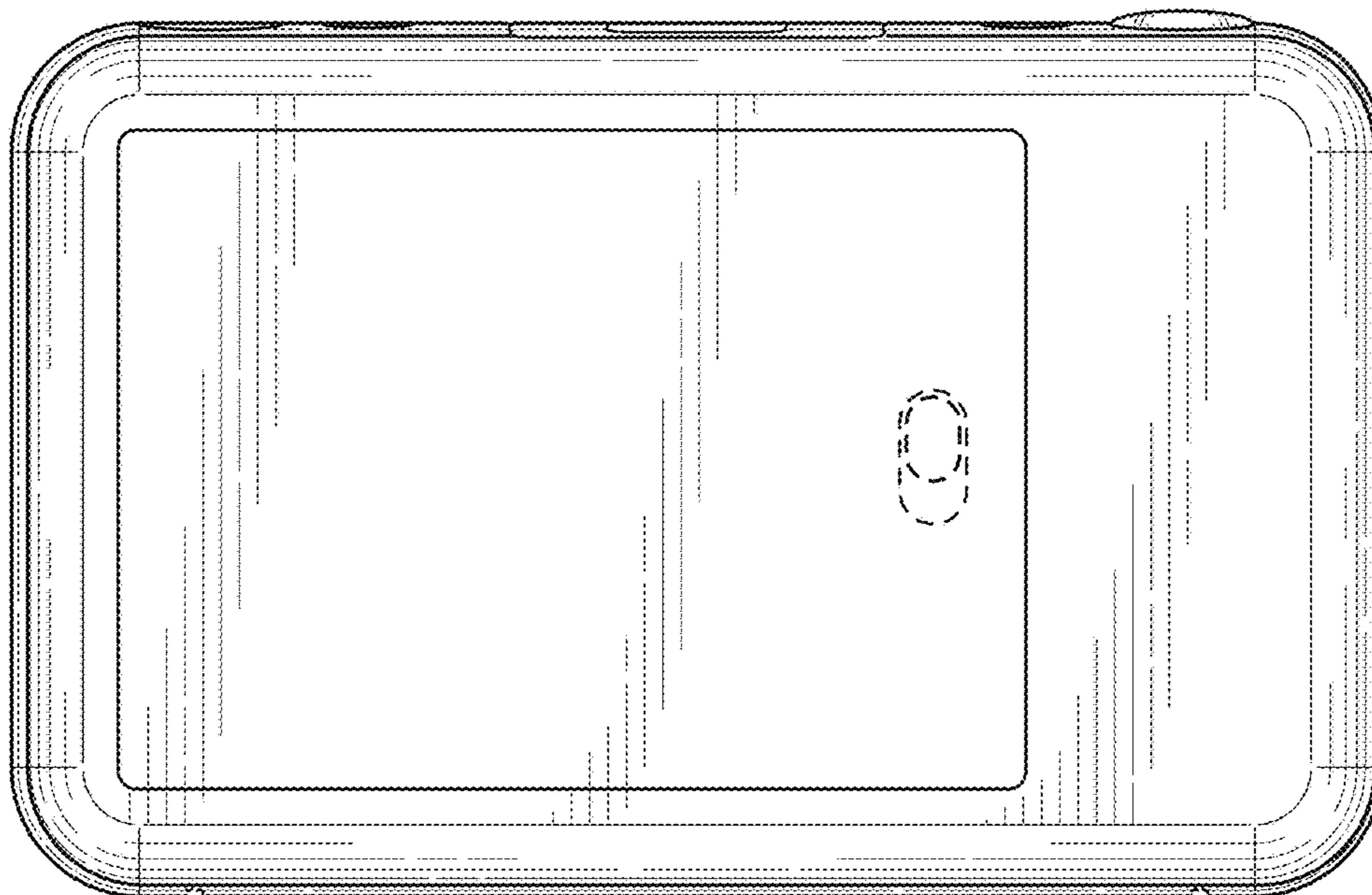


FIG. 5

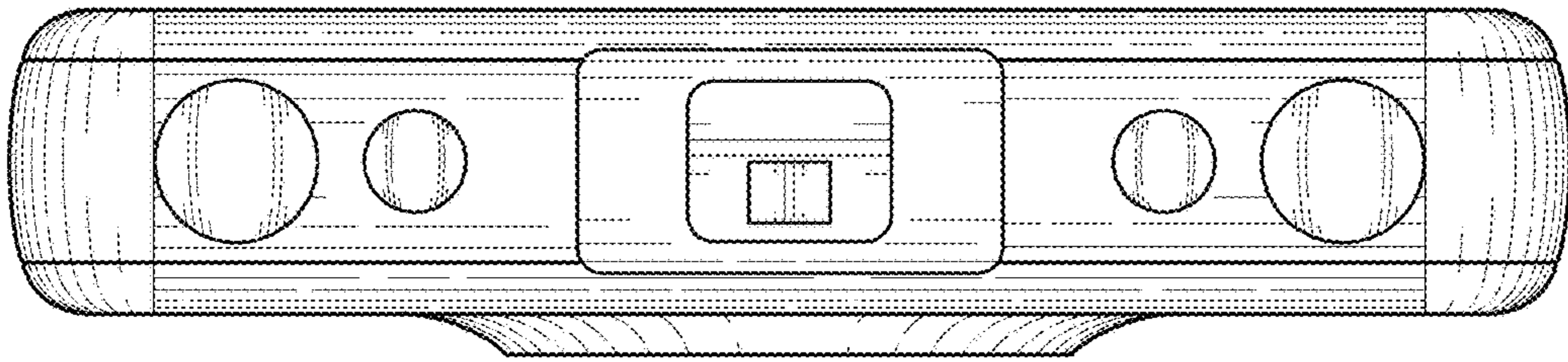


FIG. 6

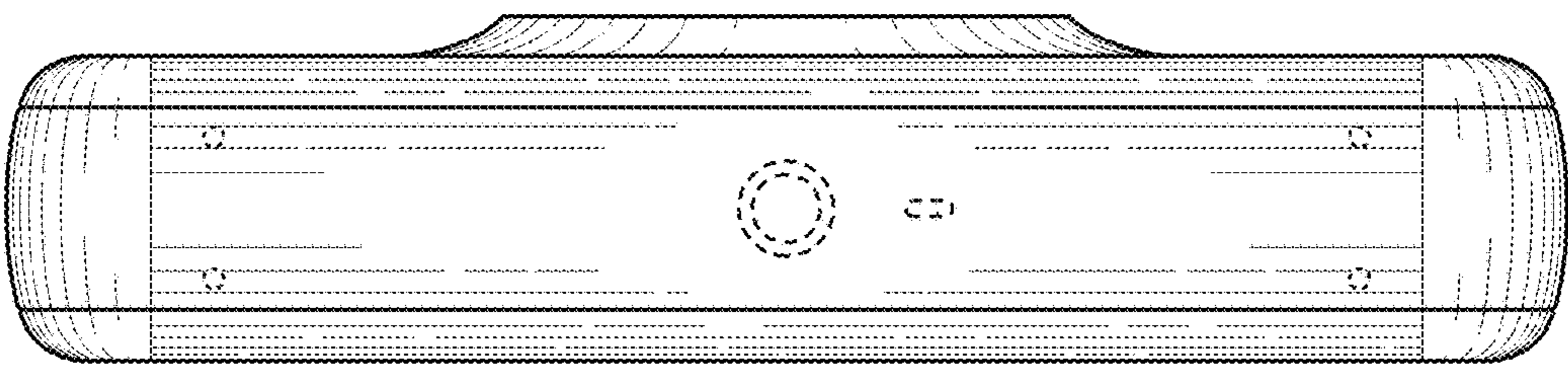


FIG. 7