



US00D829797S

(12) **United States Design Patent**
Huang

(10) **Patent No.:** **US D829,797 S**

(45) **Date of Patent:** **** Oct. 2, 2018**

- (54) **MAGNIFIER VISOR FRAME**
- (71) Applicant: **Carson Optical, Inc.**, Ronkonkoma, NY (US)
- (72) Inventor: **Shih-Chieh Huang**, Taichung (TW)
- (73) Assignee: **Carson Optical, Inc.**, Ronkonkoma, NY (US)
- (**) Term: **15 Years**
- (21) Appl. No.: **29/532,673**
- (22) Filed: **Jul. 9, 2015**
- (51) **LOC (11) Cl.** **16-06**
- (52) **U.S. Cl.**
USPC **D16/135**
- (58) **Field of Classification Search**
USPC 345/8; 2/15, 410, 423, 424, 209.13;
D29/104, 105, 109; D14/372;
D16/130-136, 319-328, 200, 225, 100,
D16/310-318, 300; 348/8
See application file for complete search history.

- D352,046 S * 11/1994 Kataoka D16/130
- D377,708 S * 2/1997 Bay, Jr. D2/893
- D383,455 S * 9/1997 MacInnes D14/372
- D483,779 S 12/2003 Huang
- D558,881 S * 1/2008 Kobayashi D16/130
- D677,434 S * 3/2013 Arai D29/109
- D769,242 S * 10/2016 Kymm D14/372

* cited by examiner

Primary Examiner — Susan B Hattan

Assistant Examiner — Jennifer M Campbell

(74) *Attorney, Agent, or Firm* — Carmody Torrance
Sandak & Hennessey LLP

(57) **CLAIM**

The ornamental design for a magnifier visor frame, as shown and described.

DESCRIPTION

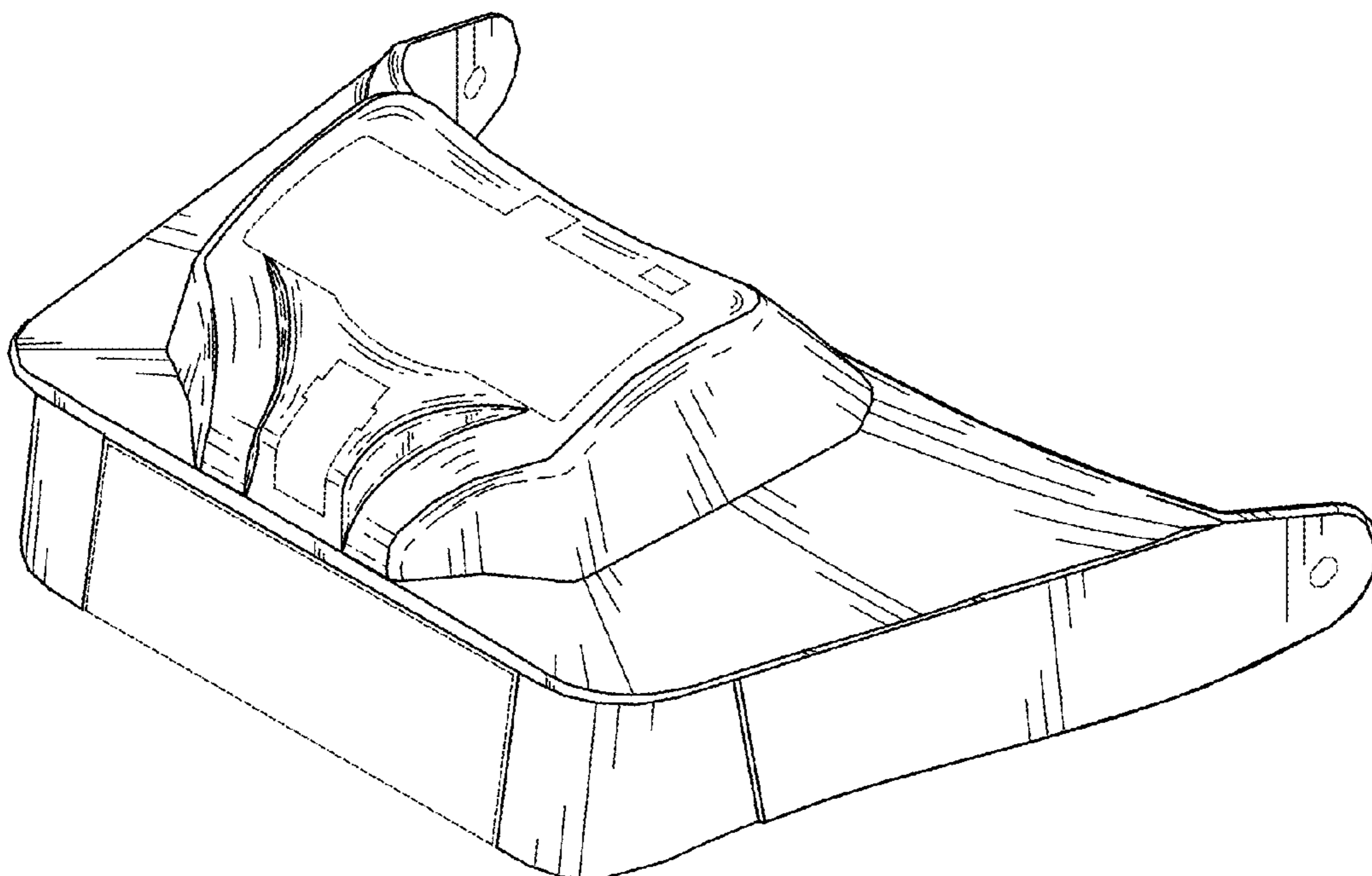
FIG. 1 is a first perspective view of the magnifier visor frame showing my new design;
 FIG. 2 is a second perspective view thereof;
 FIG. 3 is a front view thereof;
 FIG. 4 is a first side view thereof;
 FIG. 5 is a rear view thereof;
 FIG. 6 is a second side view thereof;
 FIG. 7 is a top view thereof; and,
 FIG. 8 is a bottom view thereof.
 The broken lines depict part of the magnifier visor frame that form no part of the claimed design.

1 Claim, 8 Drawing Sheets

(56) **References Cited**

U.S. PATENT DOCUMENTS

- D136,398 S * 9/1943 Kelman D16/311
 - D300,476 S * 3/1989 Sestak D16/130
 - D301,644 S * 6/1989 Sestak D16/130
 - D325,116 S * 4/1992 Lee D2/876
 - 5,208,916 A * 5/1993 Kelman A42B 1/247
- 2/10



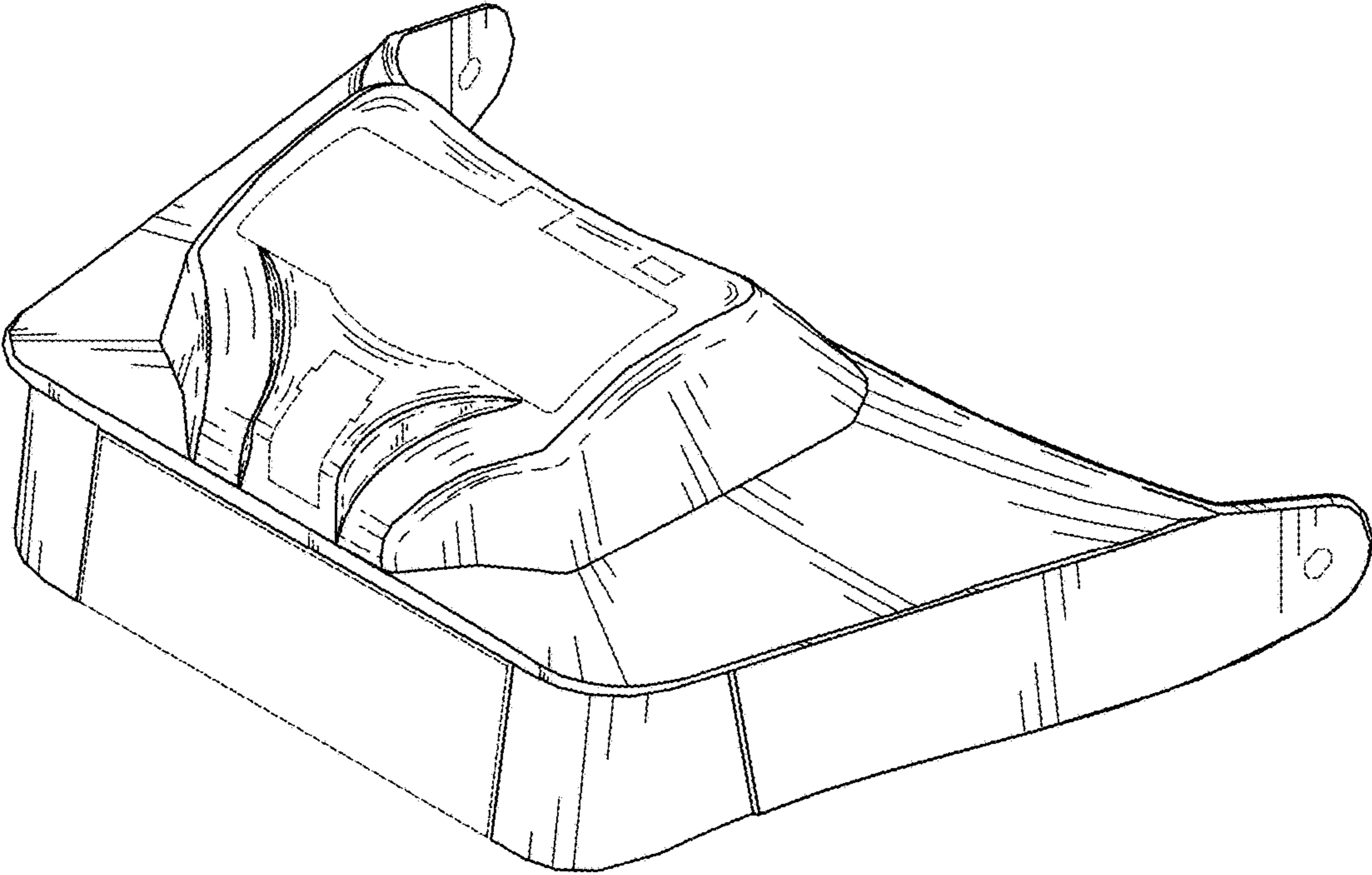


FIG. 1

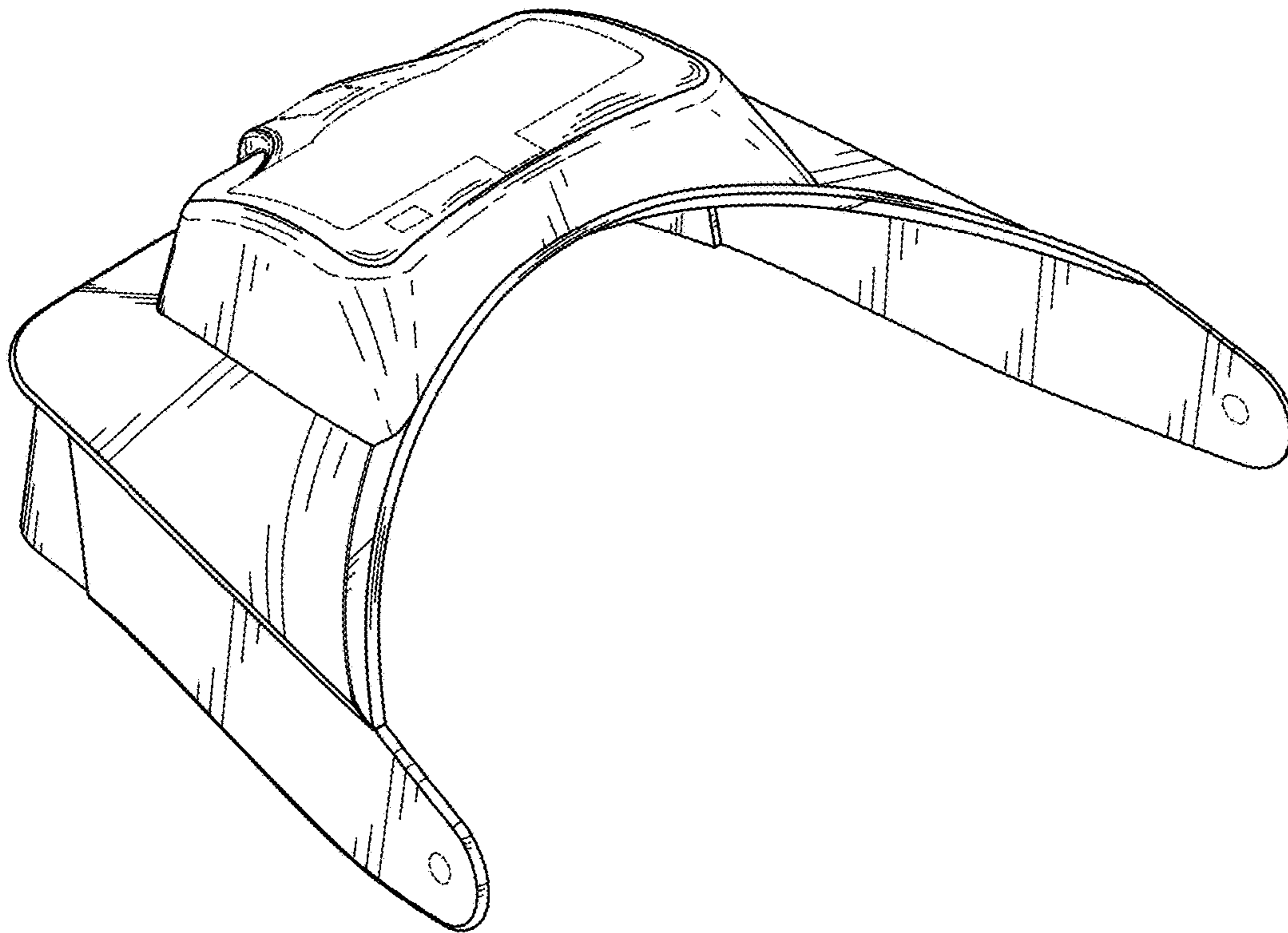


FIG. 2

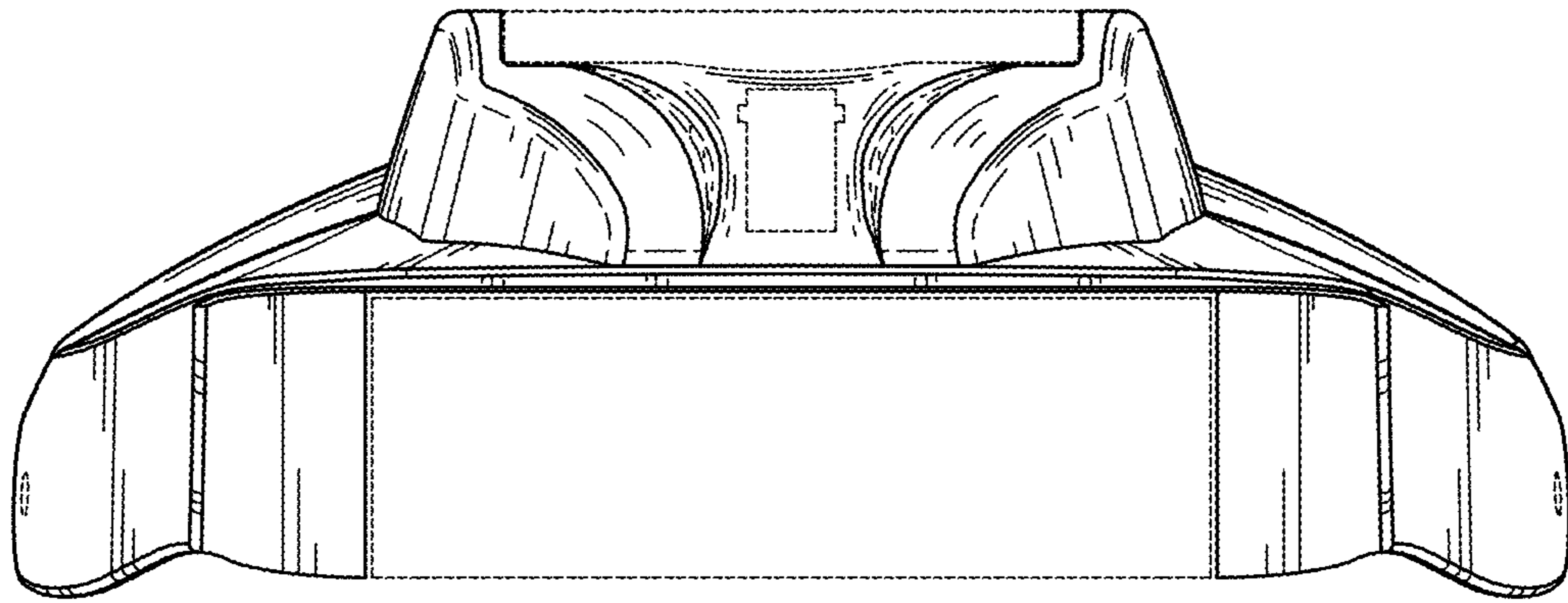


FIG. 3

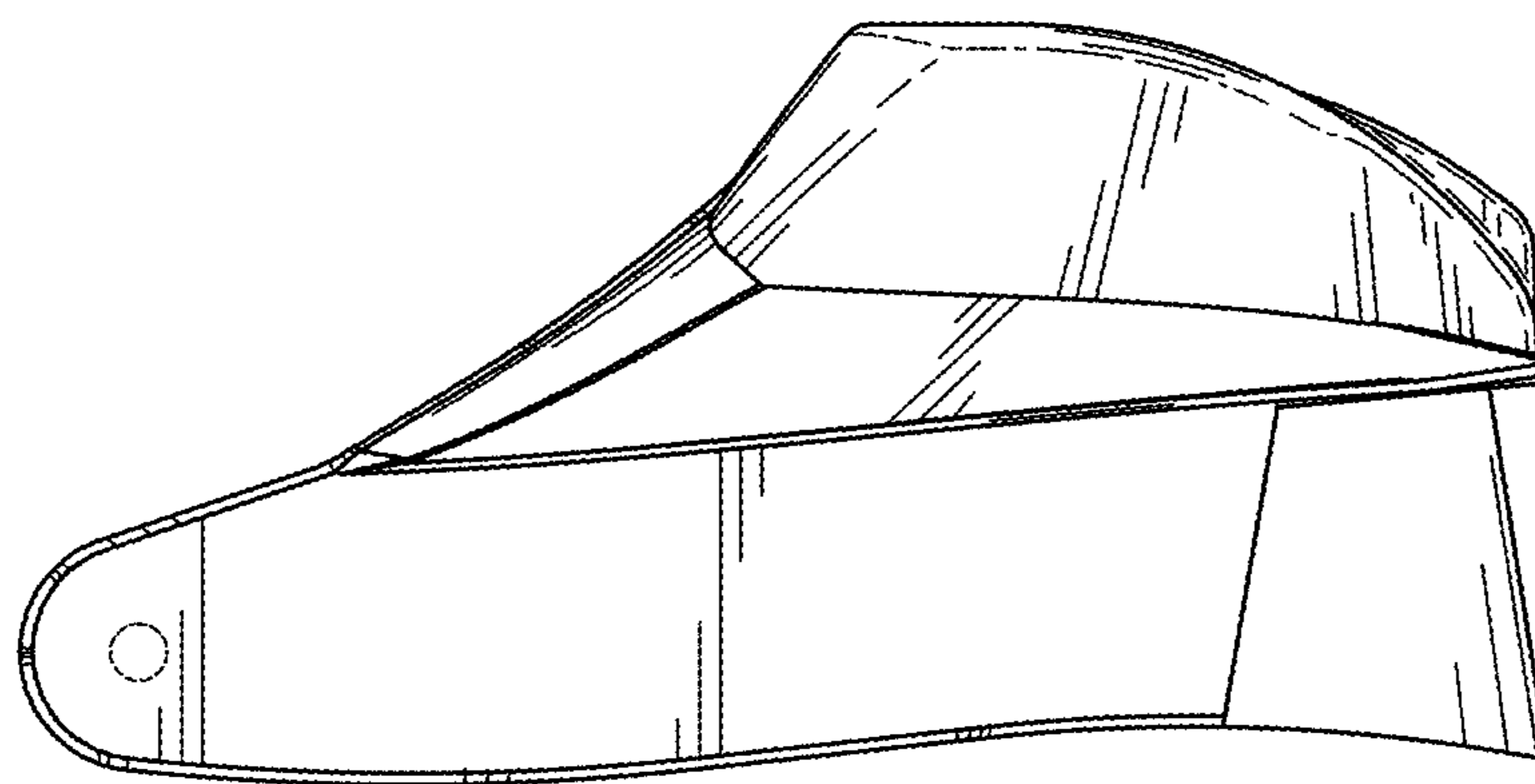


FIG. 4

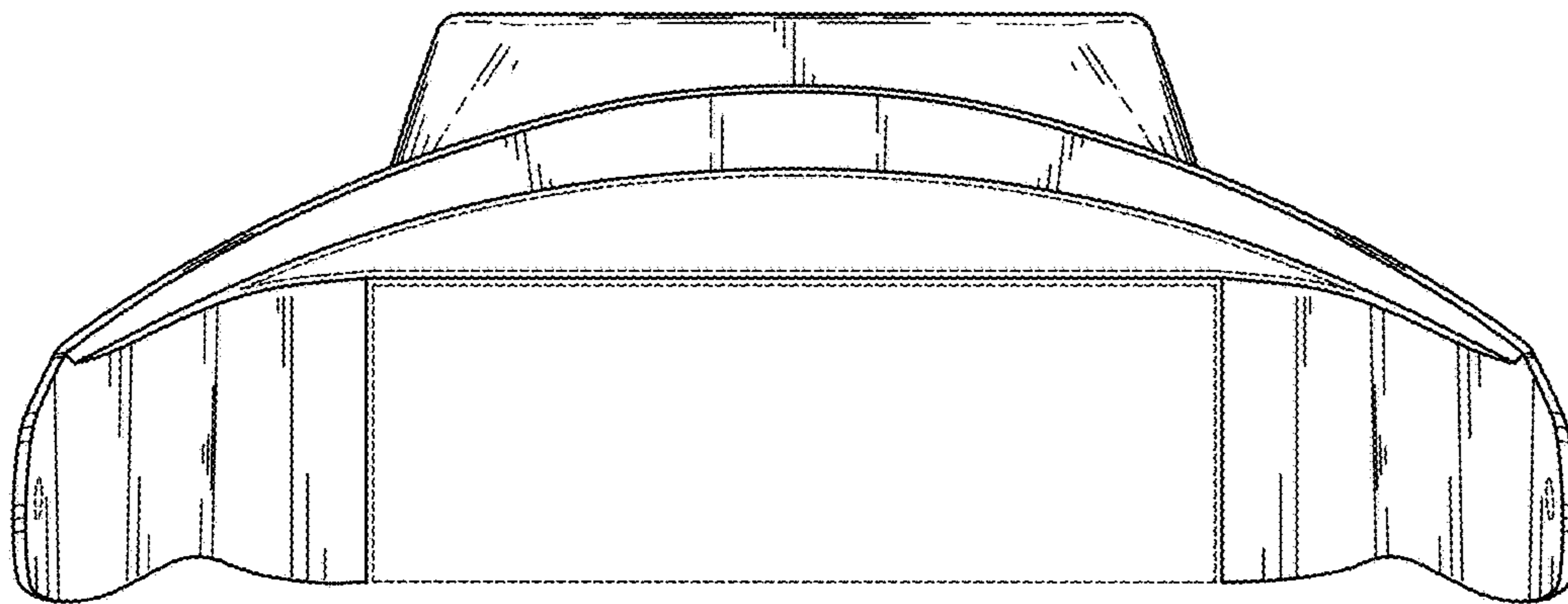


FIG. 5

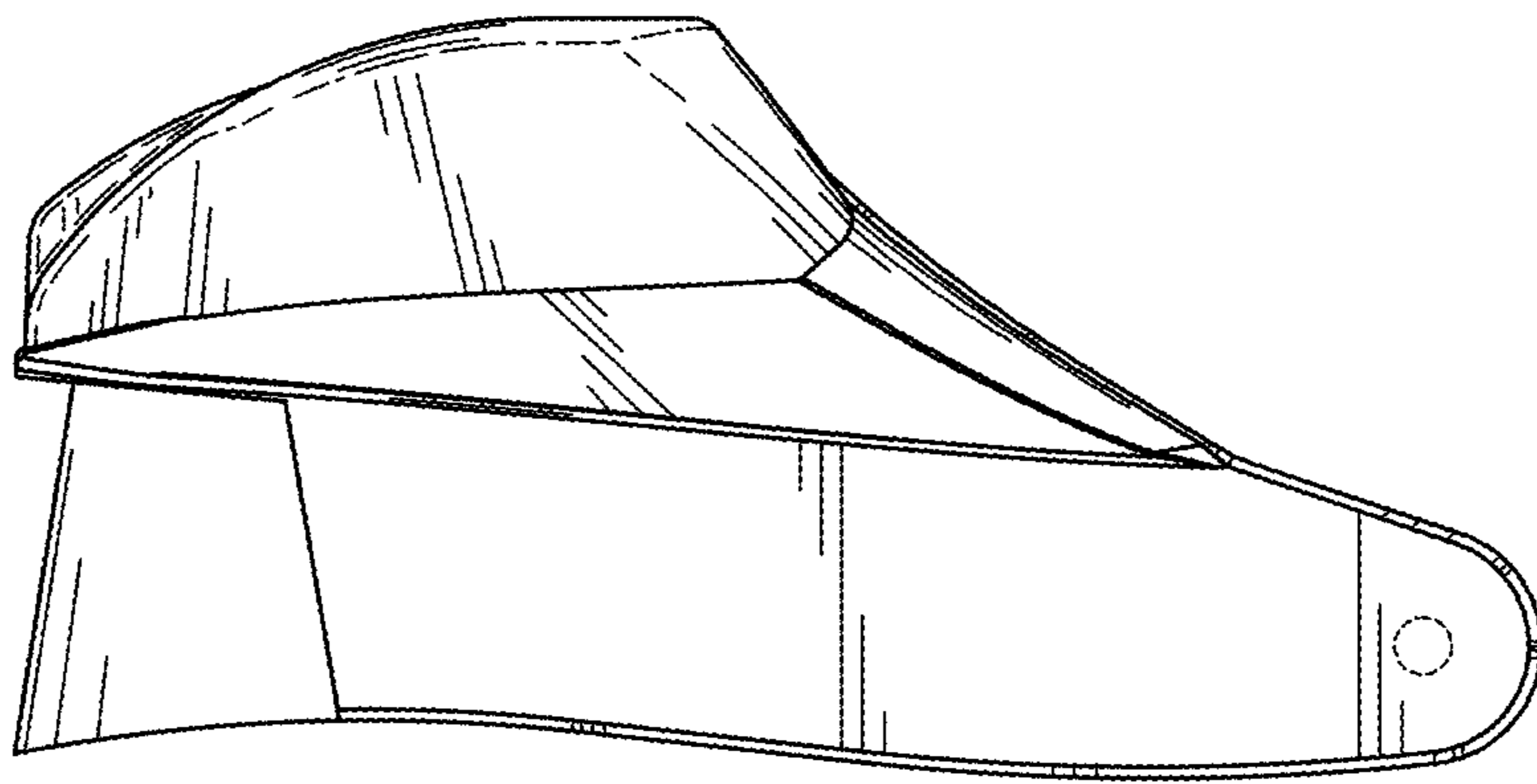


FIG. 6

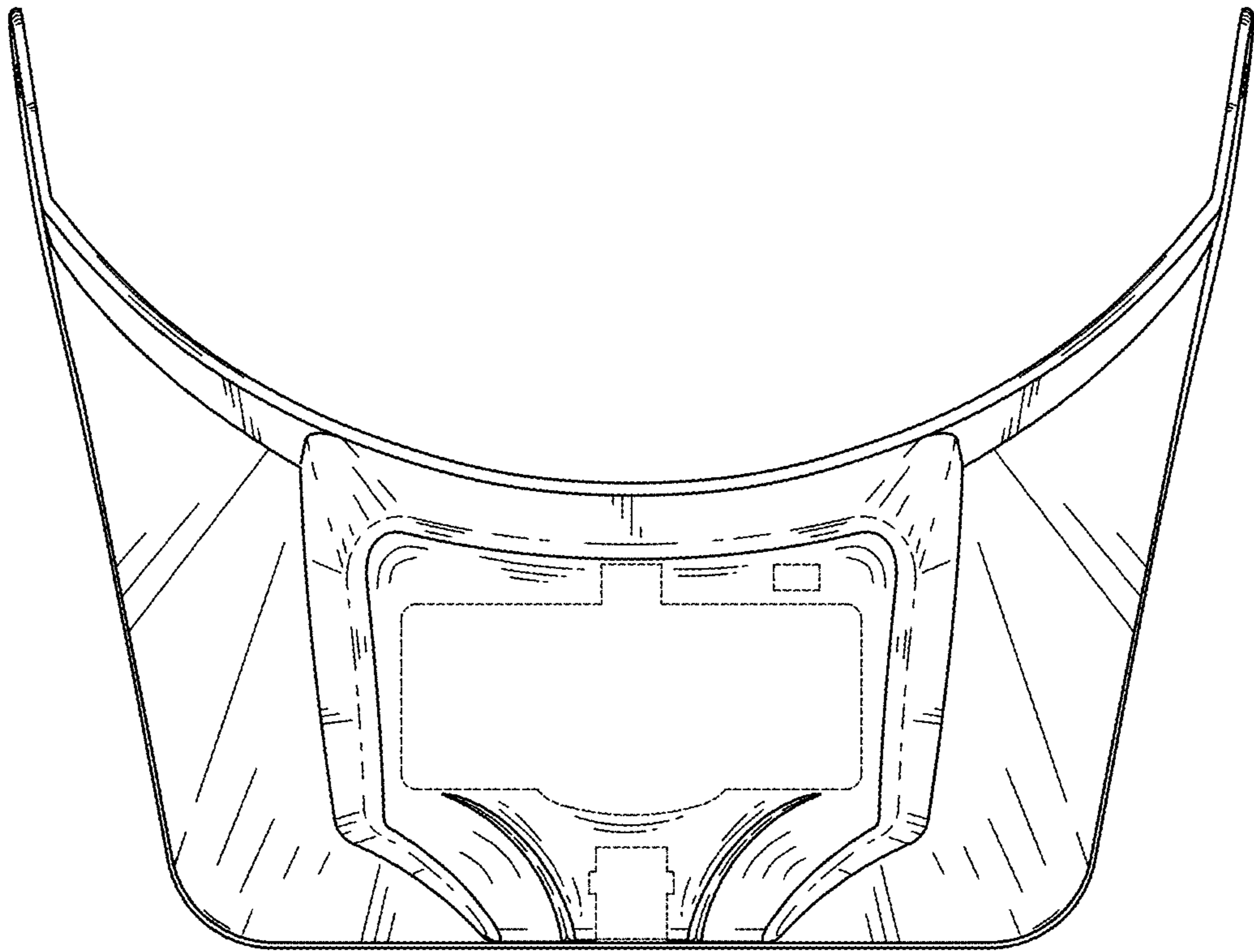


FIG. 7

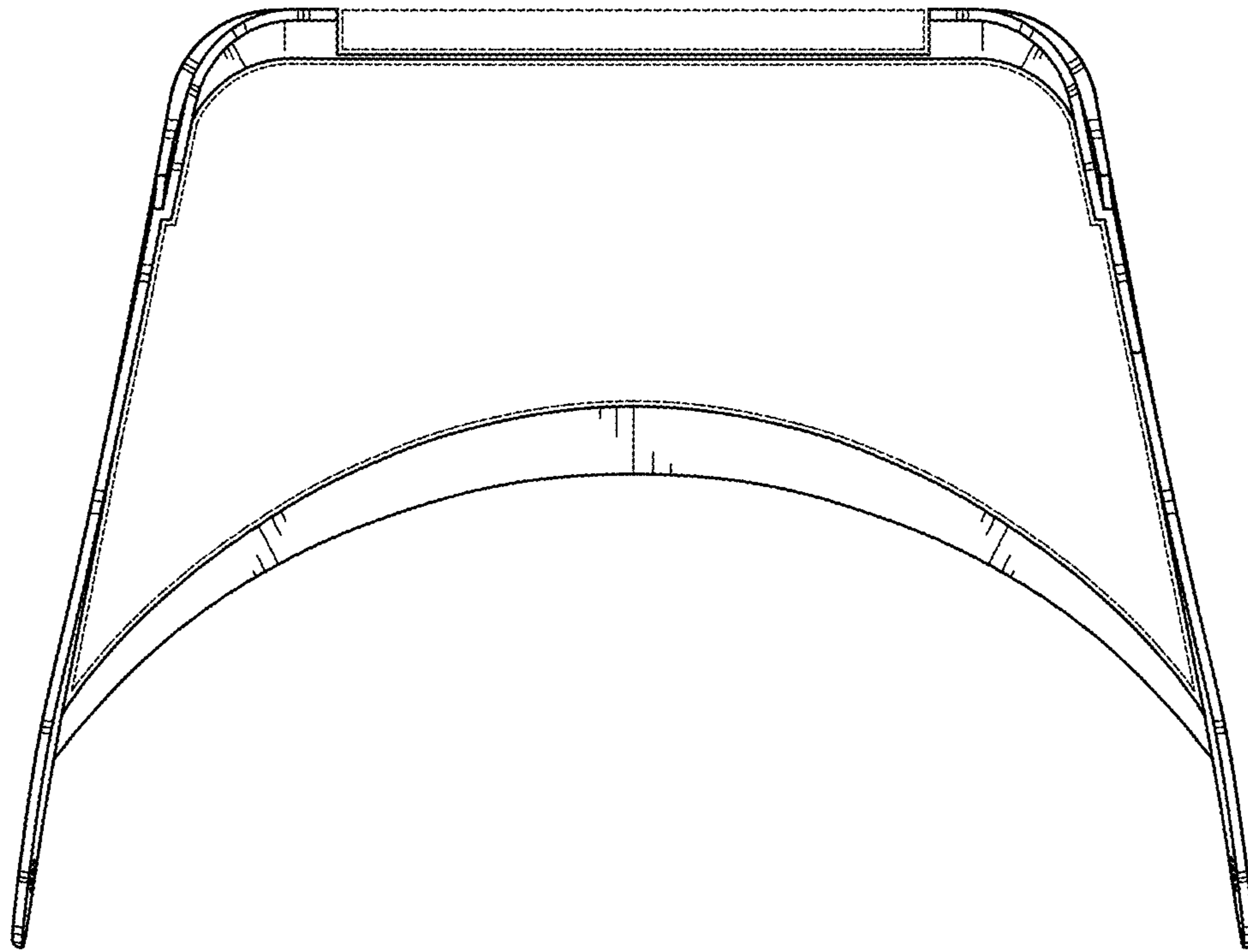


FIG. 8