



US00D829796S

(12) **United States Design Patent**
Edwards

(10) **Patent No.:** **US D829,796 S**

(45) **Date of Patent:** **** Oct. 2, 2018**

(54) **ATTACHABLE LOUPE WITH USB CONNECTOR**

(71) Applicant: **Remote Xcess, LLC**, Laurel, MD (US)

(72) Inventor: **Marlena Edwards**, Washington, DC (US)

(**) Term: **15 Years**

(21) Appl. No.: **29/605,815**

(22) Filed: **May 30, 2017**

(51) **LOC (11) Cl.** **16-99**

(52) **U.S. Cl.**
USPC **D16/130**

(58) **Field of Classification Search**
USPC D16/19, 38, 48, 100, 101, 131, 132, 133, D16/134, 135, 310, 140; D14/372, 496, D14/432; D26/142
CPC A42B 3/04; A61B 17/00
See application file for complete search history.

(56) **References Cited**

U.S. PATENT DOCUMENTS

2,187,810	A *	1/1940	Rentz	G02C 1/04
					2/12
3,336,598	A *	8/1967	Aebersold	A42B 3/185
					2/10
D295,286	S *	4/1988	Takeuchi	D16/310
D296,337	S *	6/1988	Caplan	D16/133
D377,364	S *	1/1997	Dinges	D16/304
D380,482	S *	7/1997	Shimasaki	D16/100
D409,637	S *	5/1999	Tomita	D16/133

D413,136	S *	8/1999	Rauch	D16/310
D439,268	S *	3/2001	Ireland	D16/310
D505,970	S *	6/2005	Wilson	D16/310
D513,276	S *	12/2005	Cole	D16/309
D711,949	S *	8/2014	Koenck	D16/130
D788,832	S *	6/2017	Alles	D16/133

* cited by examiner

Primary Examiner — Mark Alan Goodwin

Assistant Examiner — Benjamin M Weeks

(74) *Attorney, Agent, or Firm* — Michael D. Eisenberg

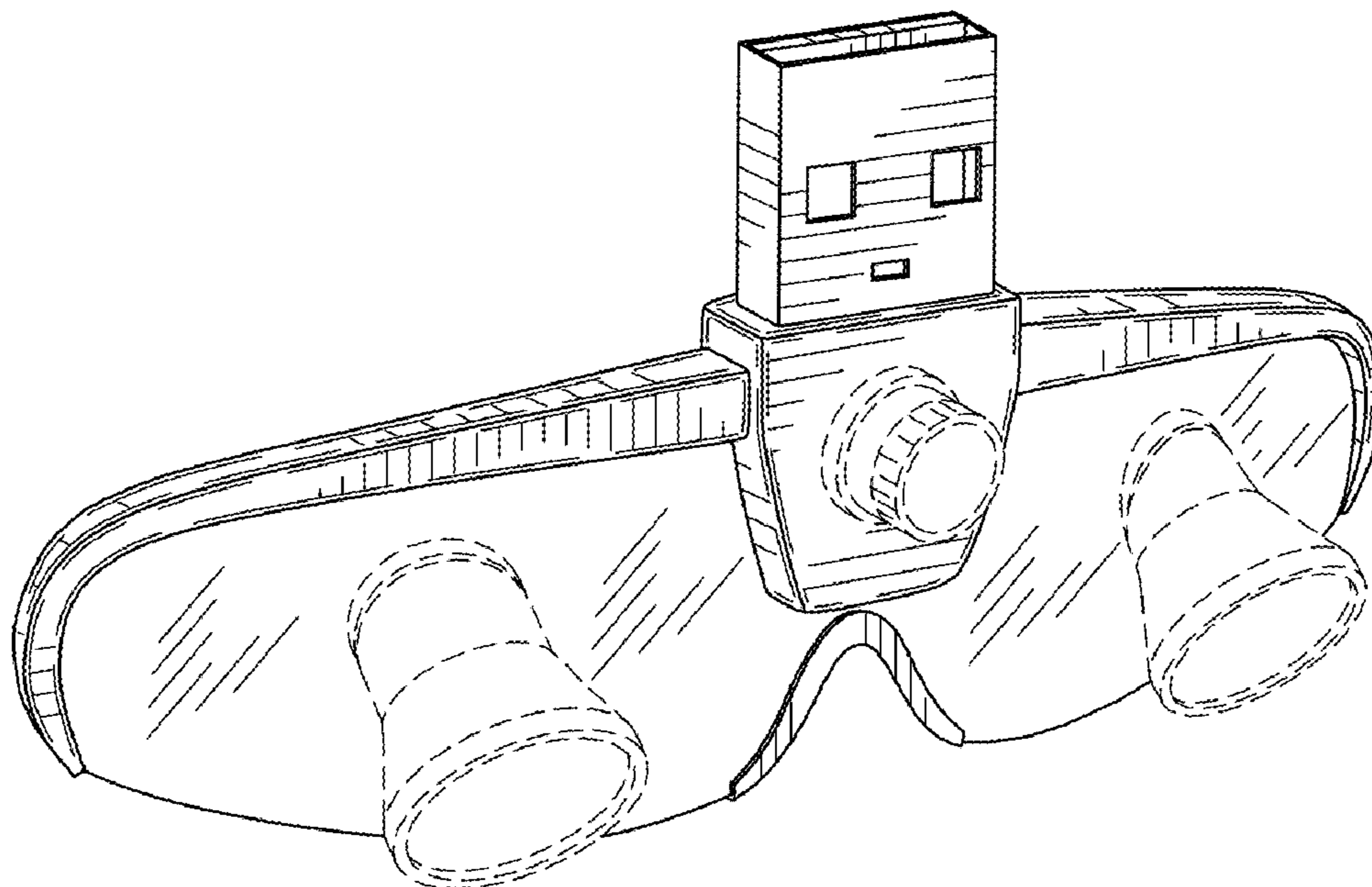
(57) **CLAIM**

The ornamental design for an attachable loupe with USB connector, as shown and described.

DESCRIPTION

FIG. 1 is a perspective view of an attachable loupe with USB connector showing my new design;
 FIG. 2 is a front view of the attachable loupe with USB connector;
 FIG. 3 is a top view of the attachable loupe with USB connector;
 FIG. 4 is a right side view of the attachable loupe with USB connector;
 FIG. 5 is a left side view of the attachable loupe with USB connector;
 FIG. 6 is a rear view of the attachable loupe with USB connector; and,
 FIG. 7 is a bottom view of the attachable loupe with USB connector.
 The broken lines shown are for illustrative purposes only and form no part of the claimed design.

1 Claim, 2 Drawing Sheets



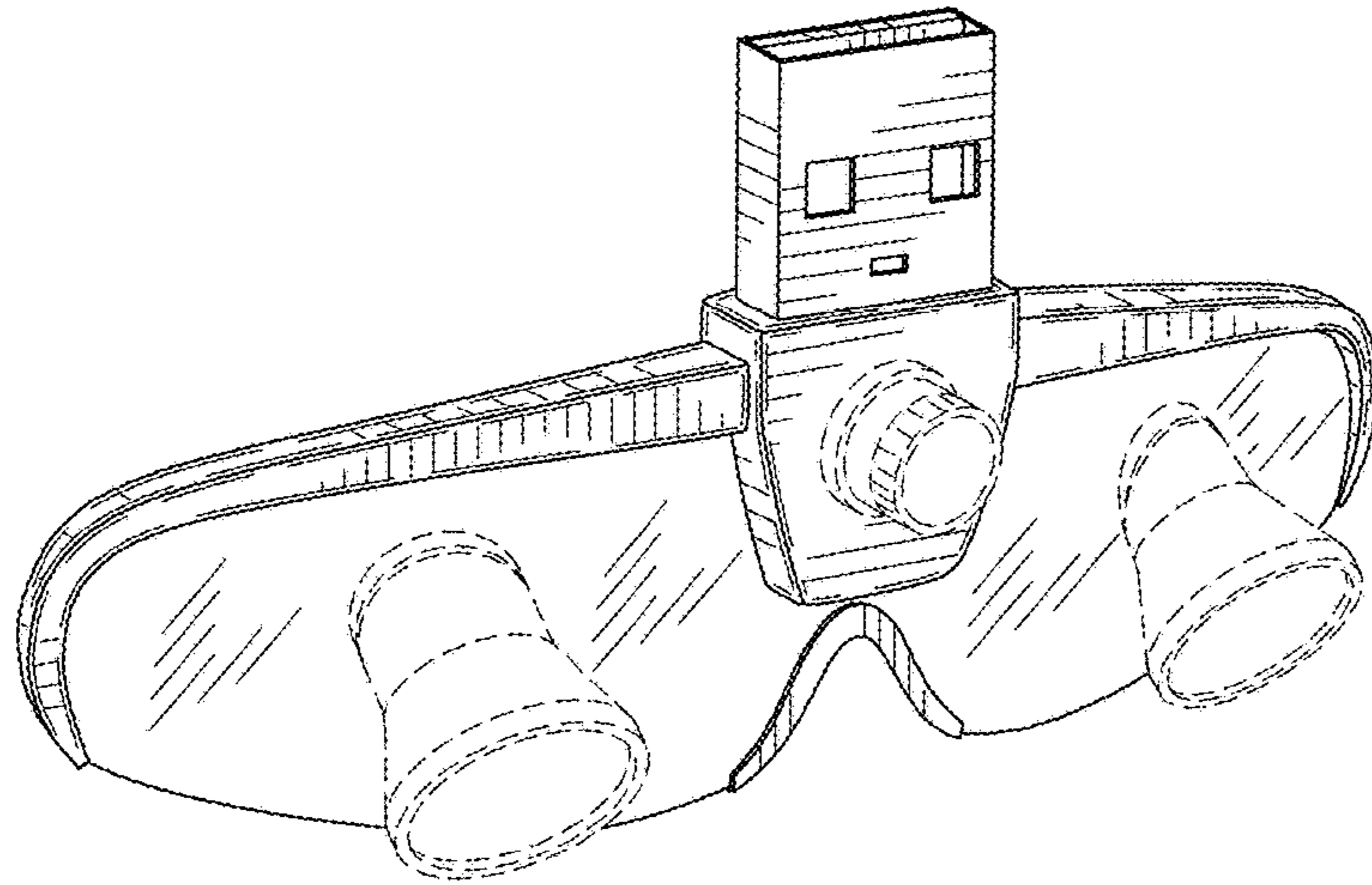


FIG. 1

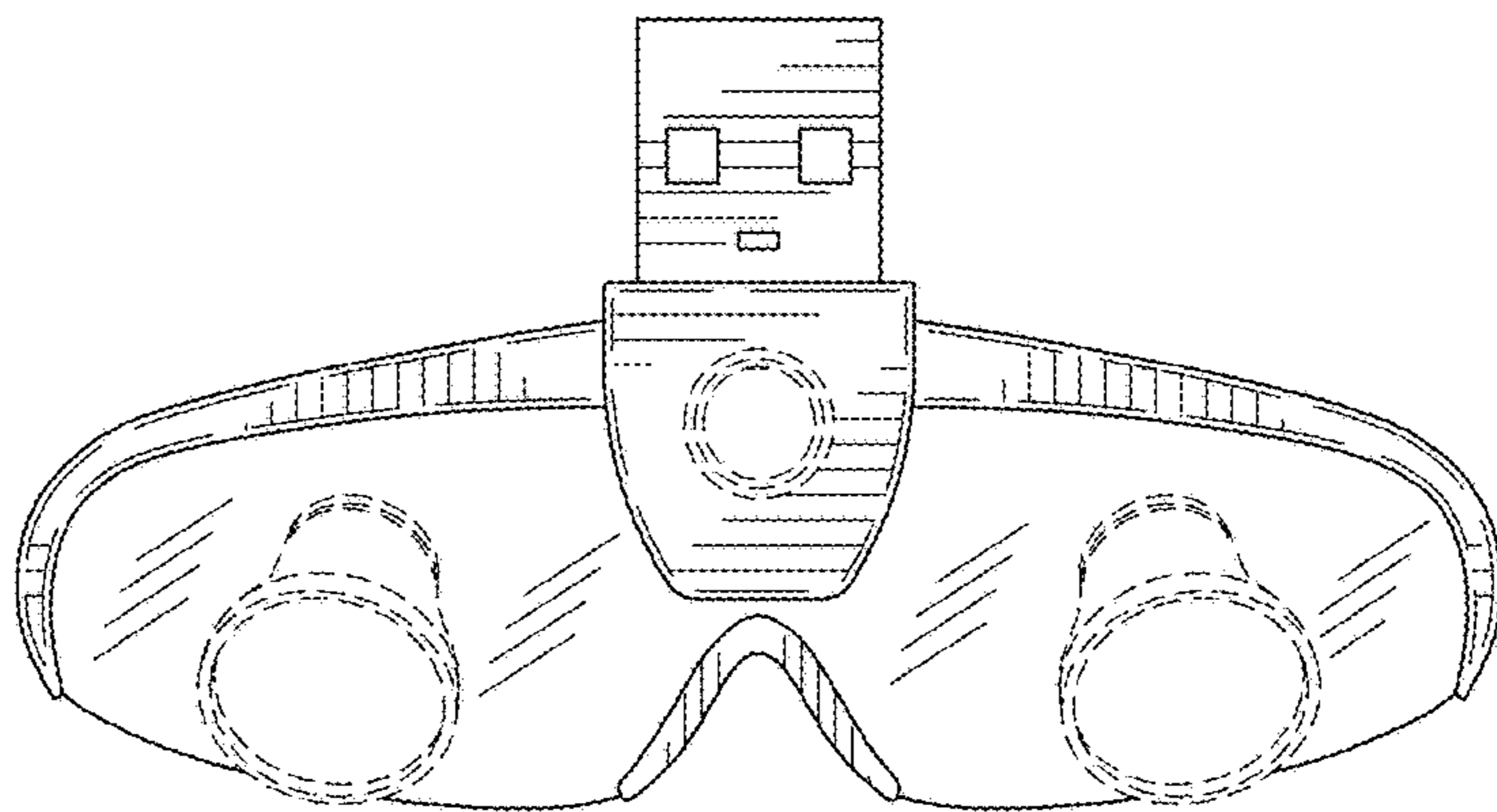


FIG. 2

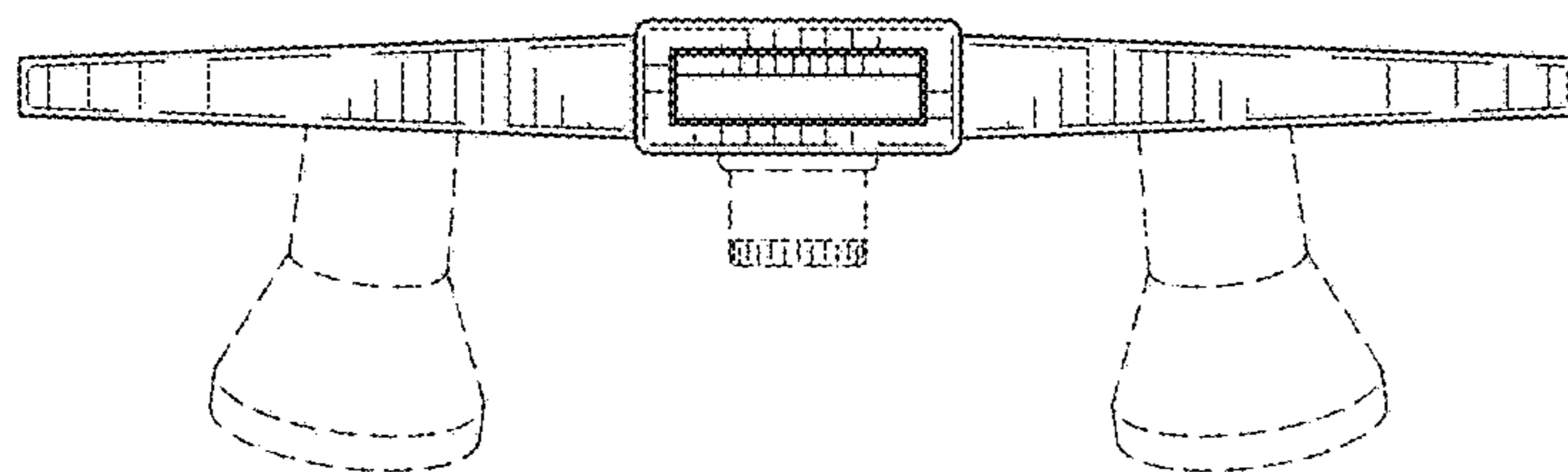


FIG. 3

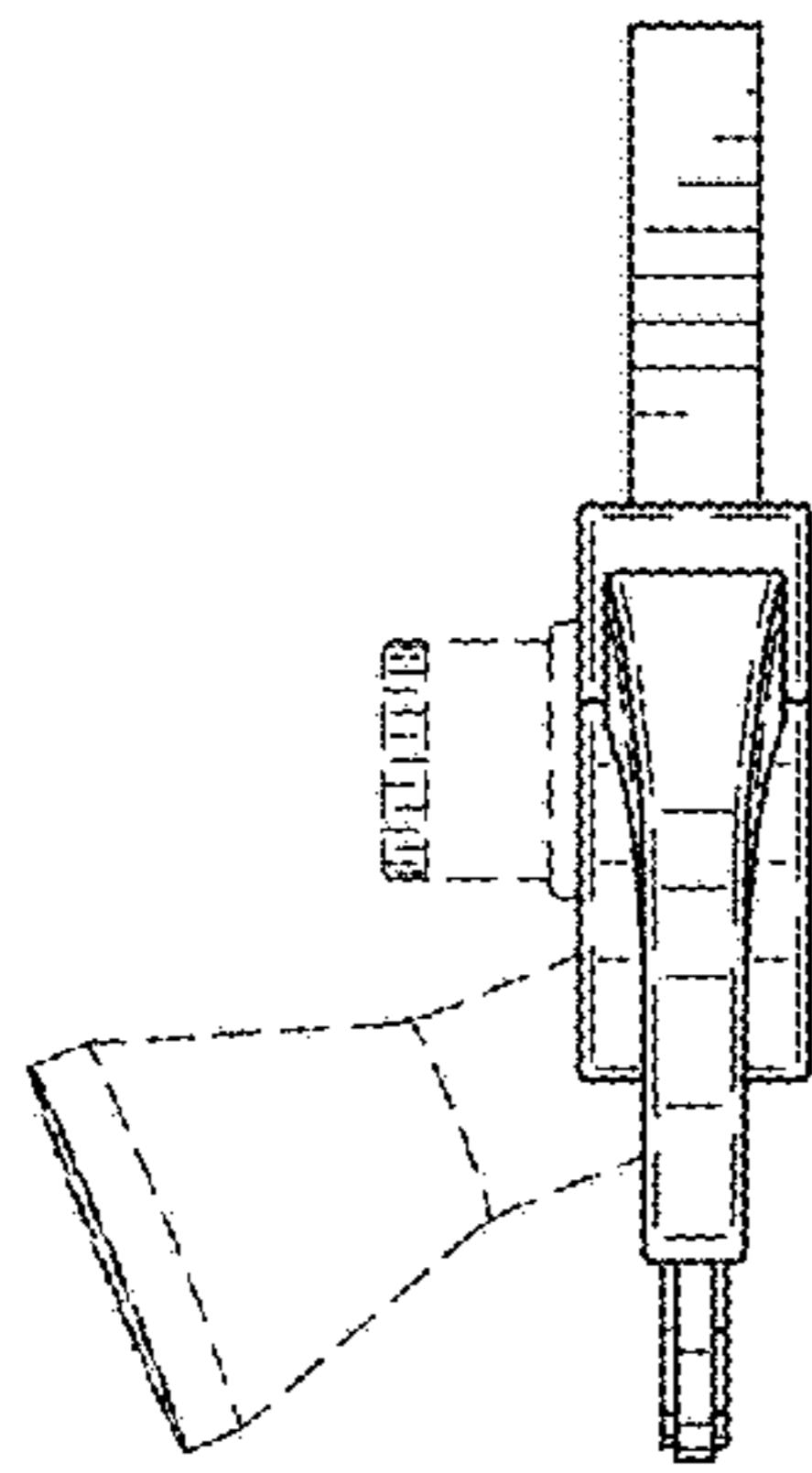


FIG. 4

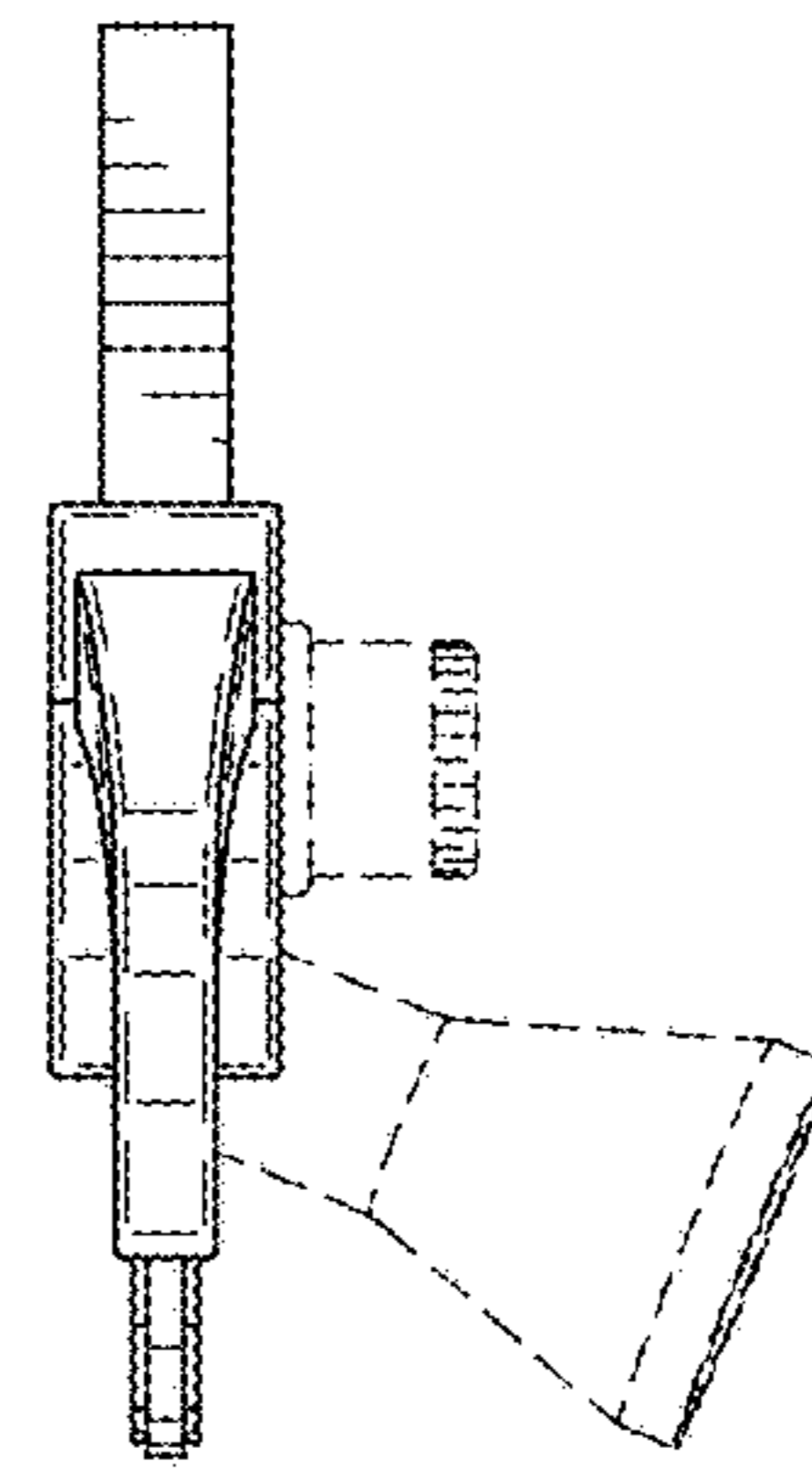


FIG. 5

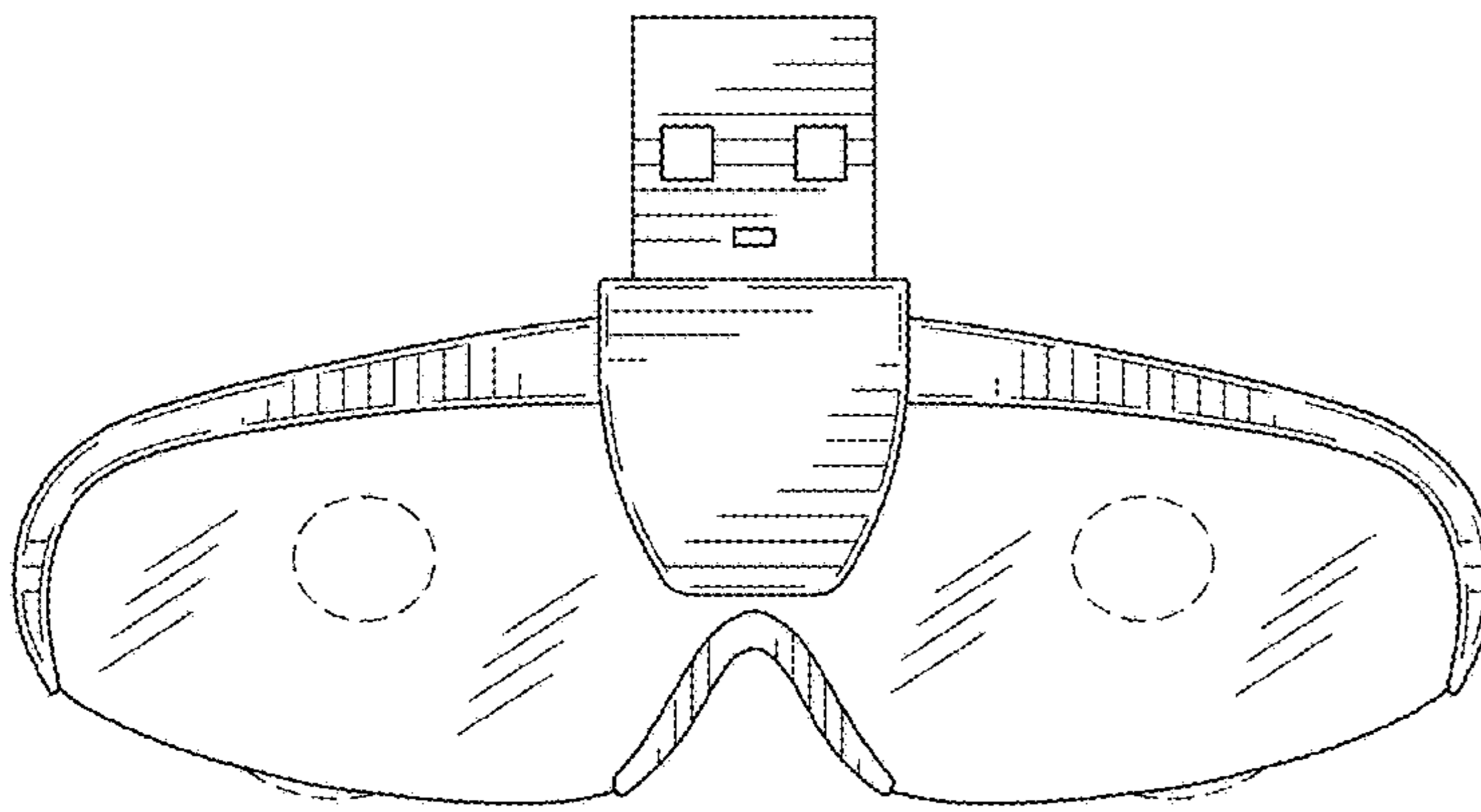


FIG. 6

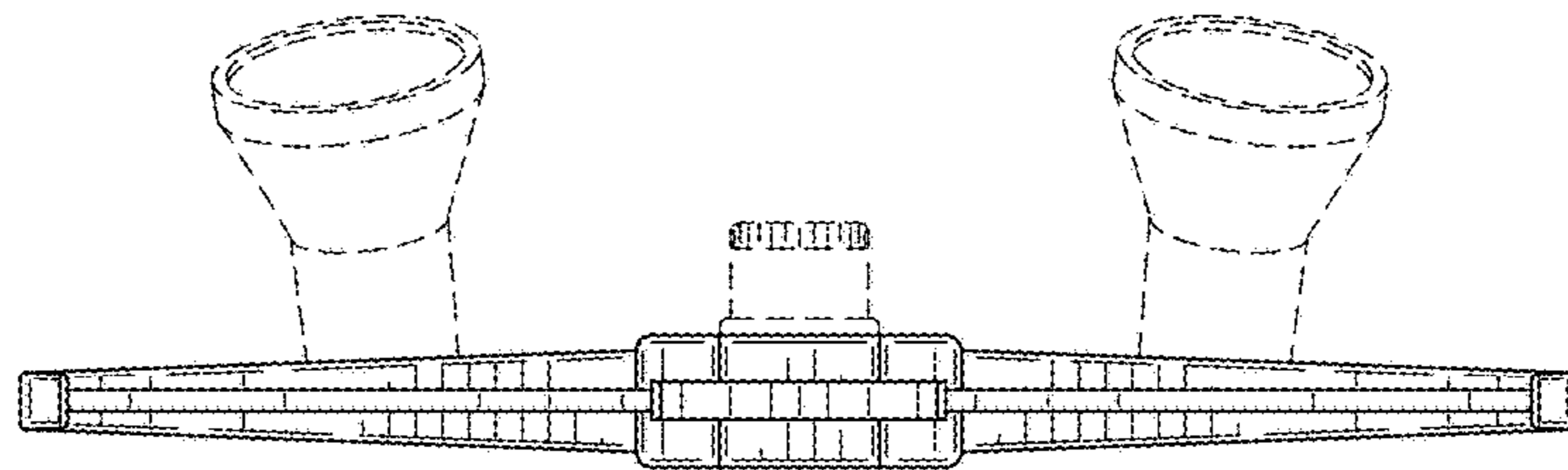


FIG. 7