



US00D829793S

(12) **United States Design Patent** (10) **Patent No.:** **US D829,793 S**
Wang (45) **Date of Patent:** **** Oct. 2, 2018**

- (54) **ROBOT**
- (71) Applicant: **ENGINEERING SERVICES INC.,**
Toronto, ON (CA)
- (72) Inventor: **Chinjohn Wang,** Mississauga (CA)
- (73) Assignee: **ENGINEERING SERVICES INC.,**
Toronto, ON (CA)
- (**) Term: **15 Years**
- (21) Appl. No.: **29/612,106**
- (22) Filed: **Jul. 28, 2017**
- (51) **LOC (11) Cl.** **15-99**
- (52) **U.S. Cl.**
USPC **D15/199**
- (58) **Field of Classification Search**
USPC D15/199; D21/578-583, 621, 622
CPC B25J 5/007; B60B 19/006; B62D 57/024;
H01F 7/0221; Y10S 901/01
See application file for complete search history.

(56) **References Cited**

U.S. PATENT DOCUMENTS

D572,739 S *	7/2008	Jennings	D15/199
D675,656 S *	2/2013	Sutherland	D15/199
D719,620 S *	12/2014	Clerc	B25J 5/007
				D15/199
D726,836 S *	4/2015	Song	D15/199
D732,096 S *	6/2015	Jang	D15/199
D735,258 S *	7/2015	Jang	D15/199
D760,675 S *	7/2016	Chalabi	D14/125
D810,167 S *	2/2018	Yang	D15/199
D810,800 S *	2/2018	Wang	D15/199
D811,458 S *	2/2018	Wang	D15/199
2008/0161672 A1 *	7/2008	Marar	A61B 5/055
				600/407
2012/0185095 A1 *	7/2012	Rosenstein	B25J 5/007
				700/259

2014/0009561 A1 *	1/2014	Sutherland	B25J 5/007
				348/14.05
2015/0081338 A1 *	3/2015	Lai	G06Q 50/22
				705/3
2016/0229058 A1 *	8/2016	Pinter	G06Q 50/22
2016/0327383 A1 *	11/2016	Becker	G01B 11/005
2017/0072558 A1 *	3/2017	Reynolds	G05D 1/0246

OTHER PUBLICATIONS

<http://en.sanbot.com/newsPro/design.html>; 8 pages.

(Continued)

Primary Examiner — Patricia A Palasik

(74) *Attorney, Agent, or Firm* — Hill & Schumacher

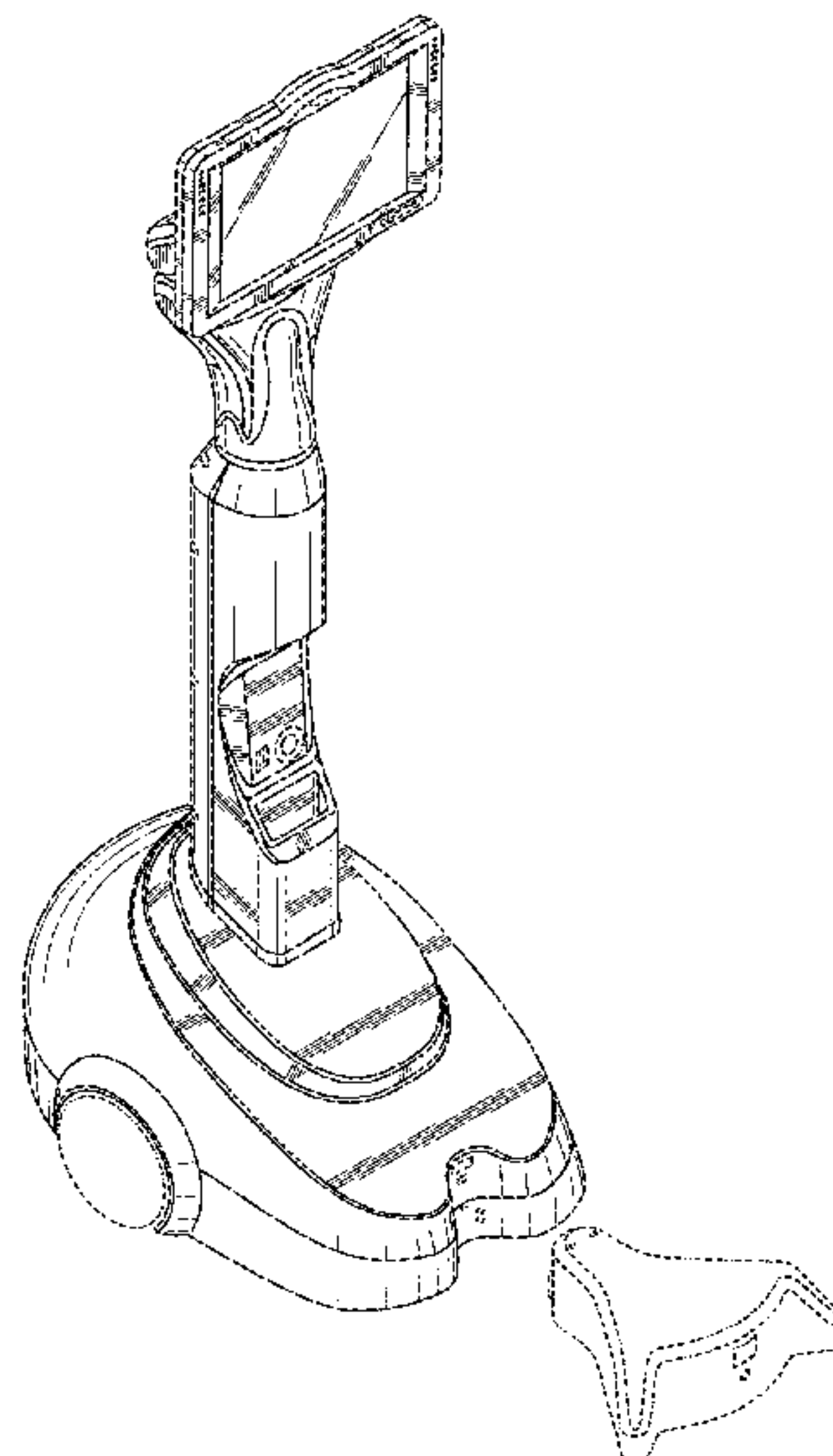
(57) **CLAIM**

The ornamental design for a robot, as shown and described.

DESCRIPTION

FIG. 1 is perspective view of the robot showing our new design;
 FIG. 2 is a front view thereof;
 FIG. 3 is a front view thereof showing the head of the robot rotated to the right;
 FIG. 4 is a front view thereof showing the head of the robot rotated to the left;
 FIG. 5 is a rear view thereof
 FIG. 6 is left side view thereof;
 FIG. 7 is a left side view thereof showing the screen of the robot tilted forward;
 FIG. 8 is a left side view thereof showing the screen of the robot tilted backward;
 FIG. 9 is a right side view thereof;
 FIG. 10 is a top view thereof; and,
 FIG. 11 is a bottom view thereof.
 The broken lines in the drawings depict unclaimed environmental subject matter.

1 Claim, 10 Drawing Sheets



(56)

References Cited

OTHER PUBLICATIONS

www.suitabletech.com/products/beam; Jul. 5, 2017; 3 pages.
www.doublerobotics.com/; Jul. 17, 2017; 5 pages.
www.amyrobotics.com/robot/; Nov. 6, 2017; 4 pages.
www.padbot.com/; Jun. 28, 2017; 3 pages.
www.en.sanbot.com/newsPro/design; Jun. 16, 2017; 8 pages.

* cited by examiner

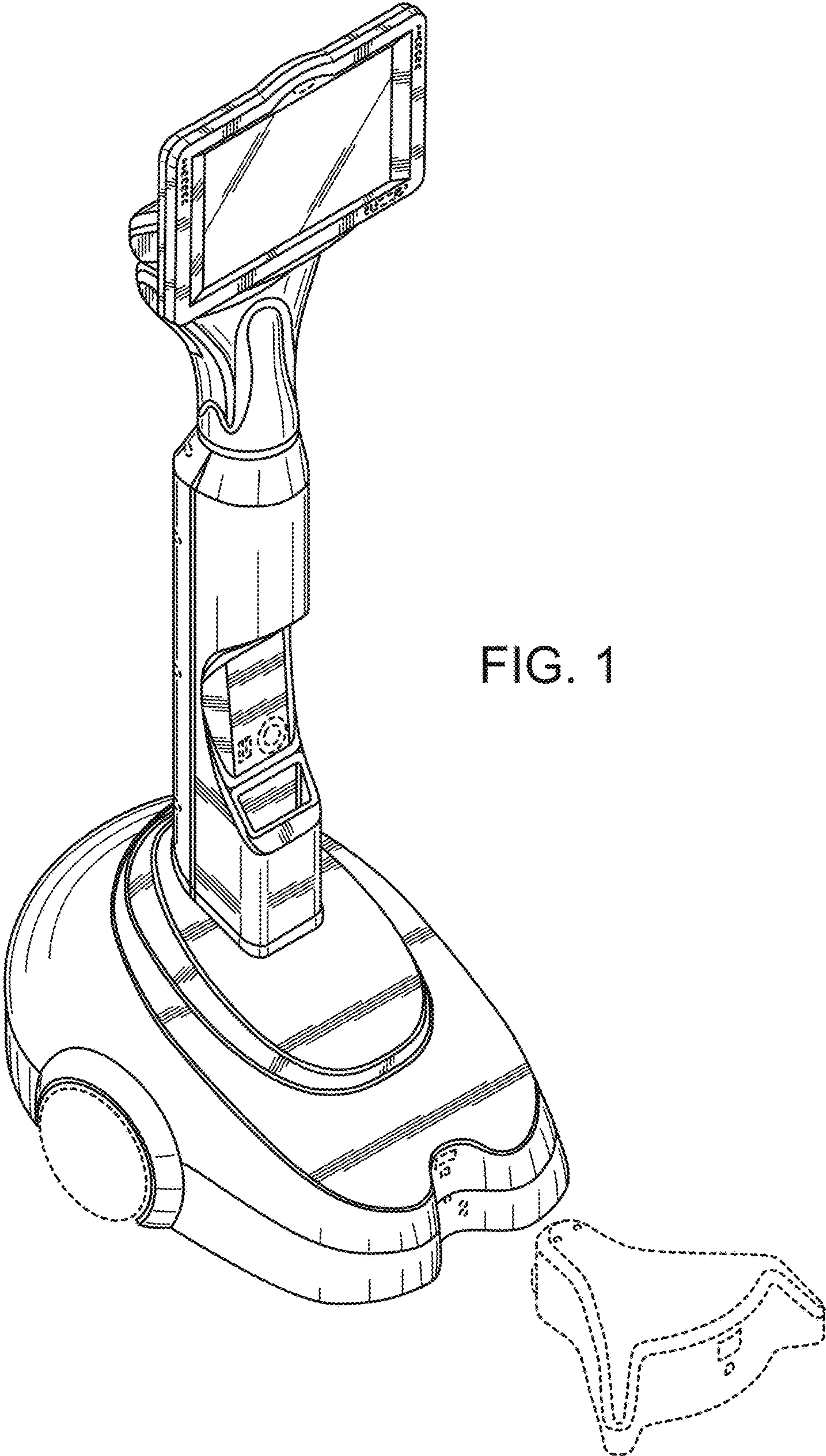


FIG. 1

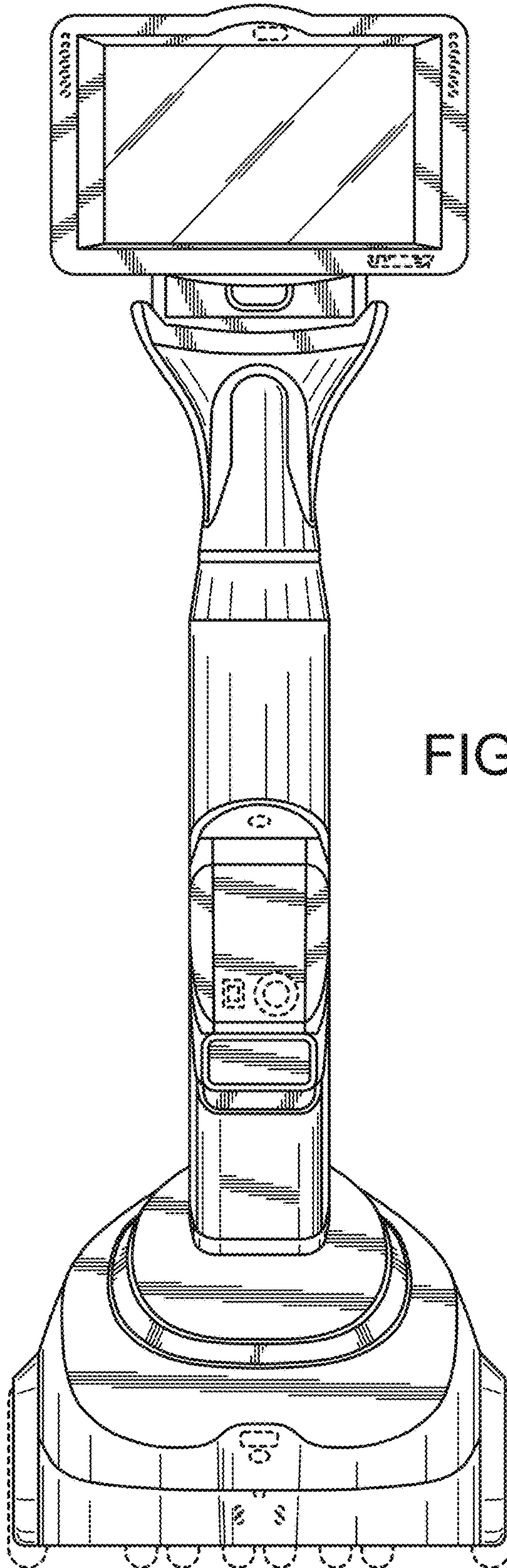


FIG. 2

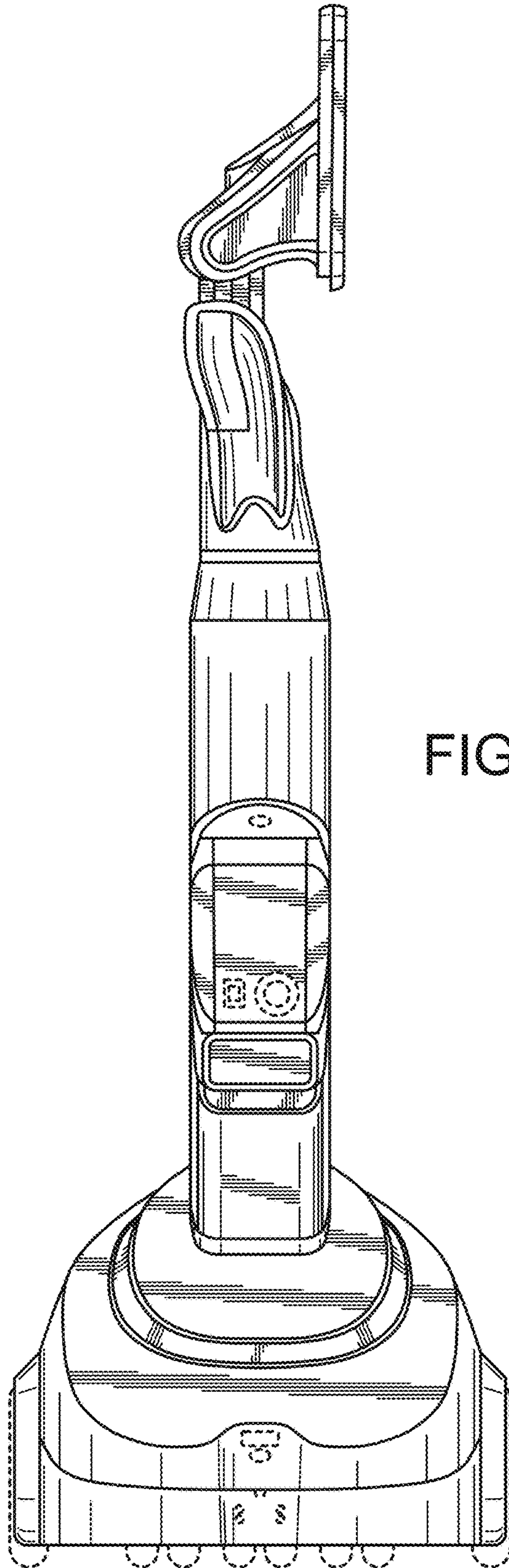


FIG. 3

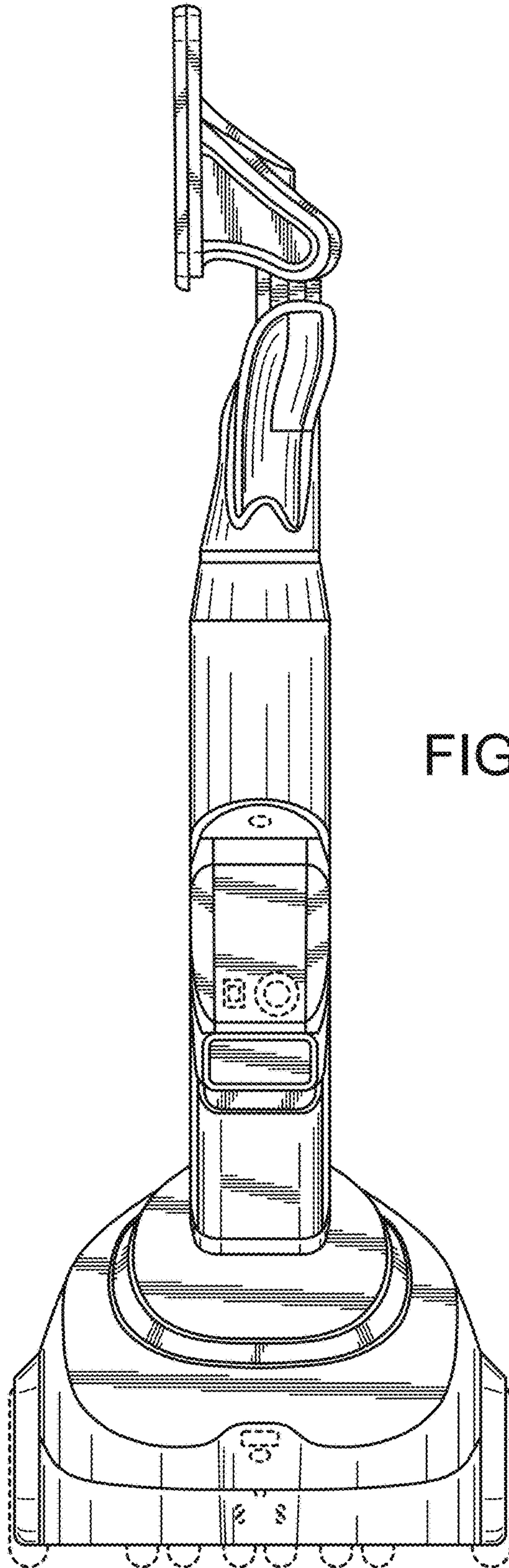


FIG. 4

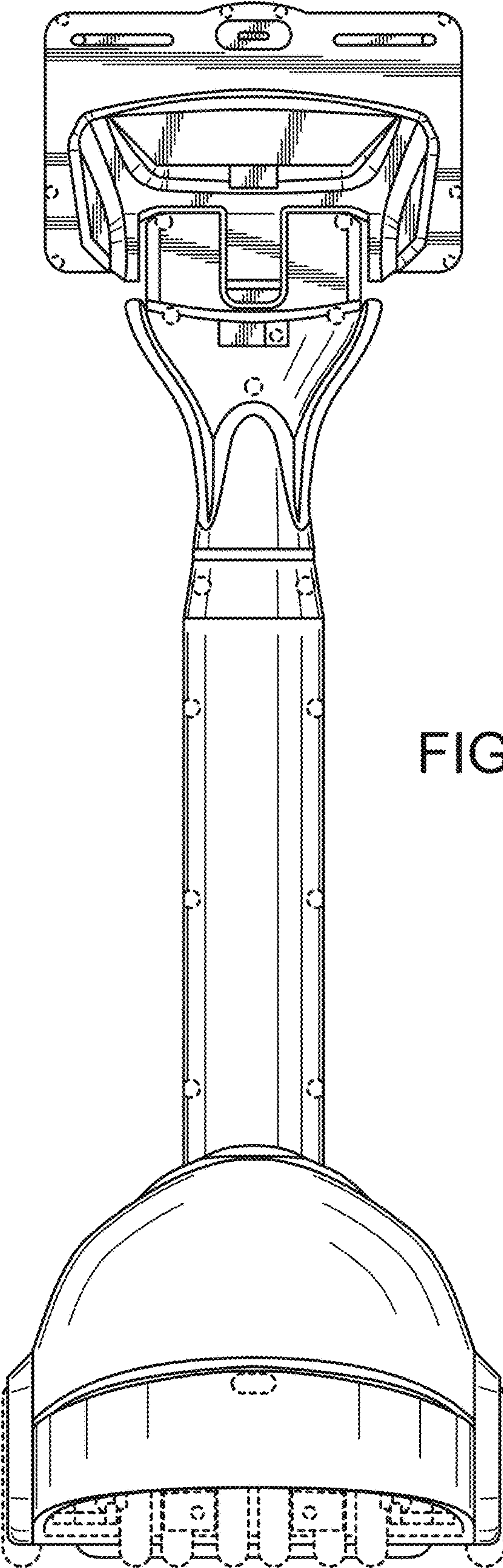


FIG. 5

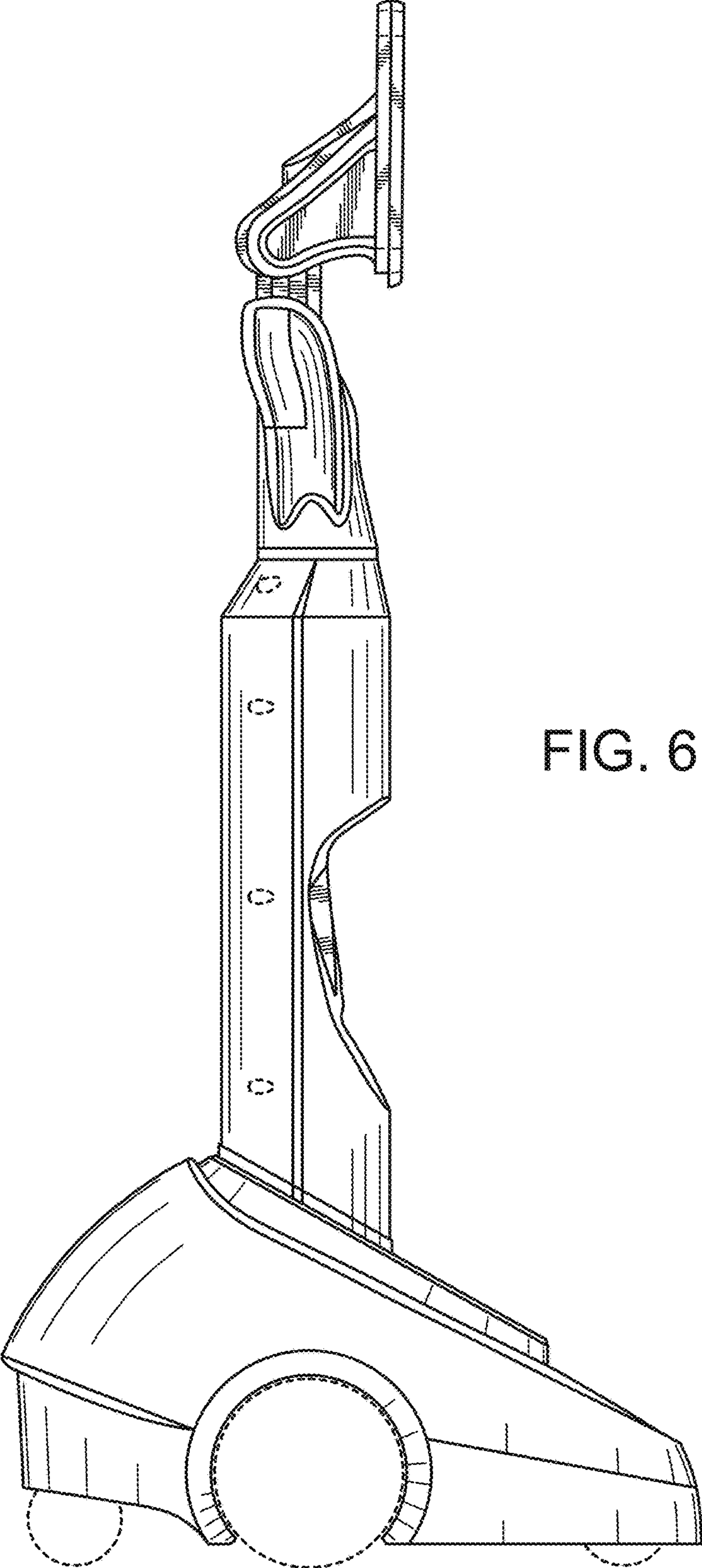


FIG. 6

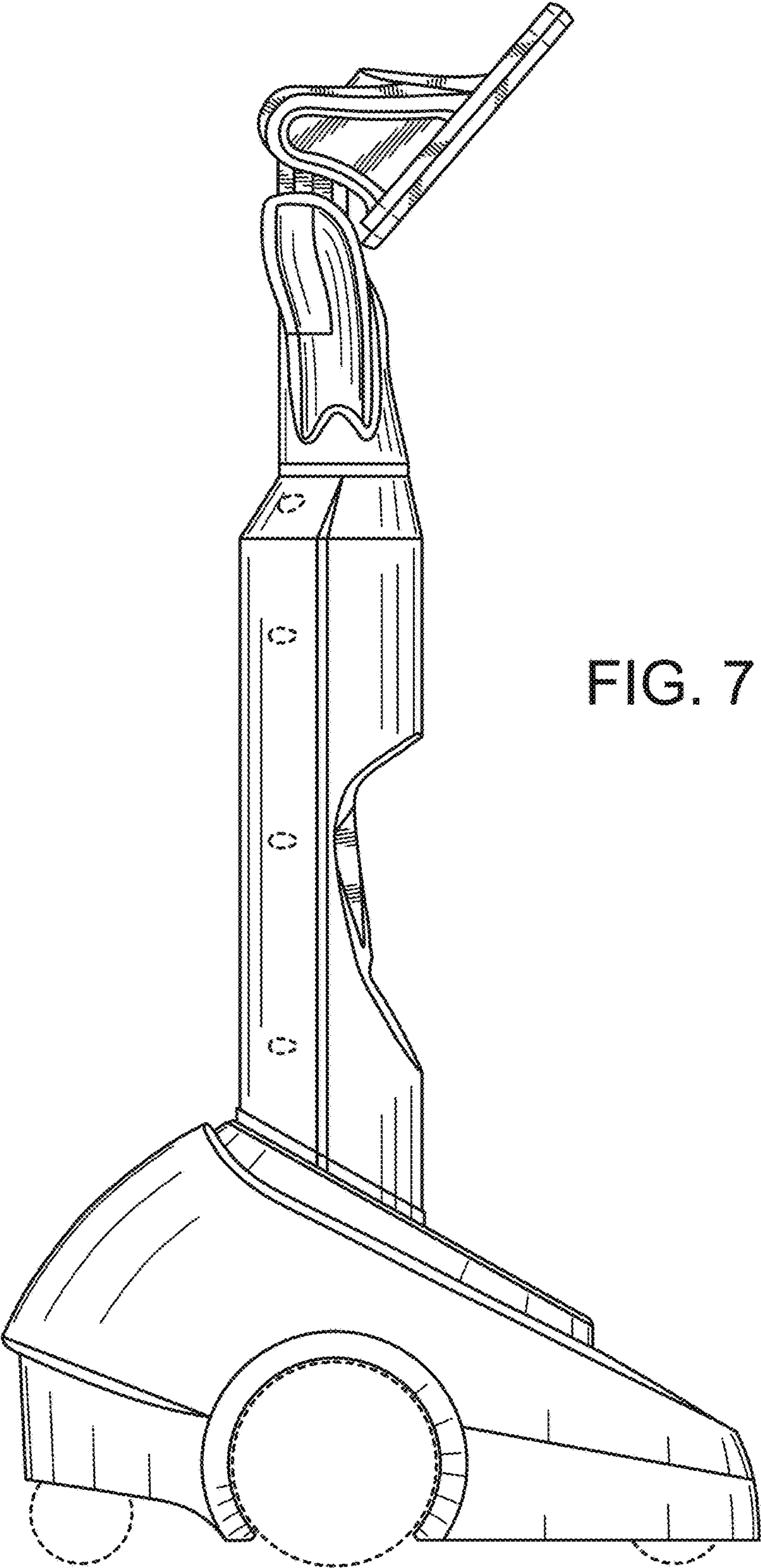


FIG. 7

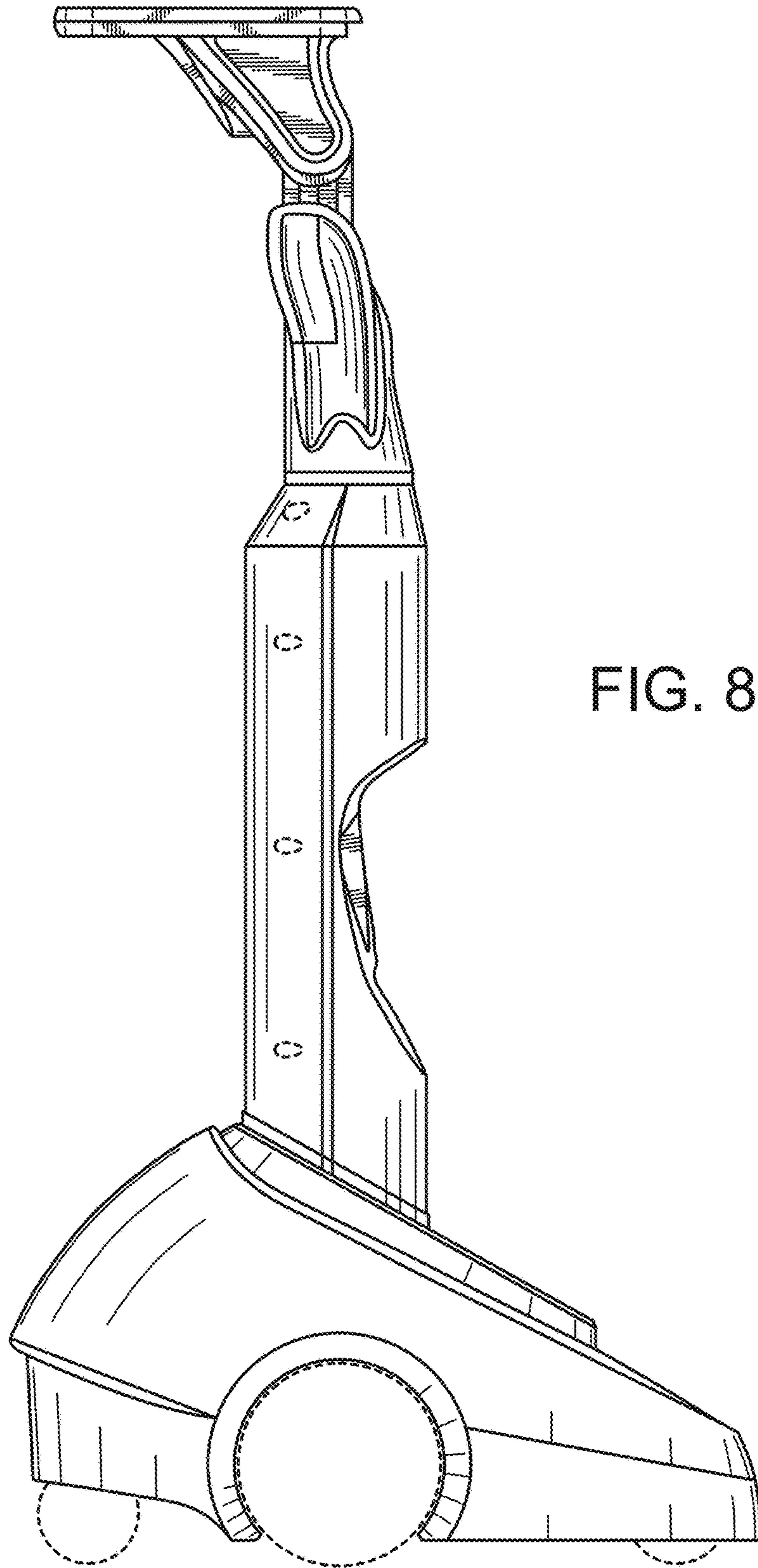


FIG. 8

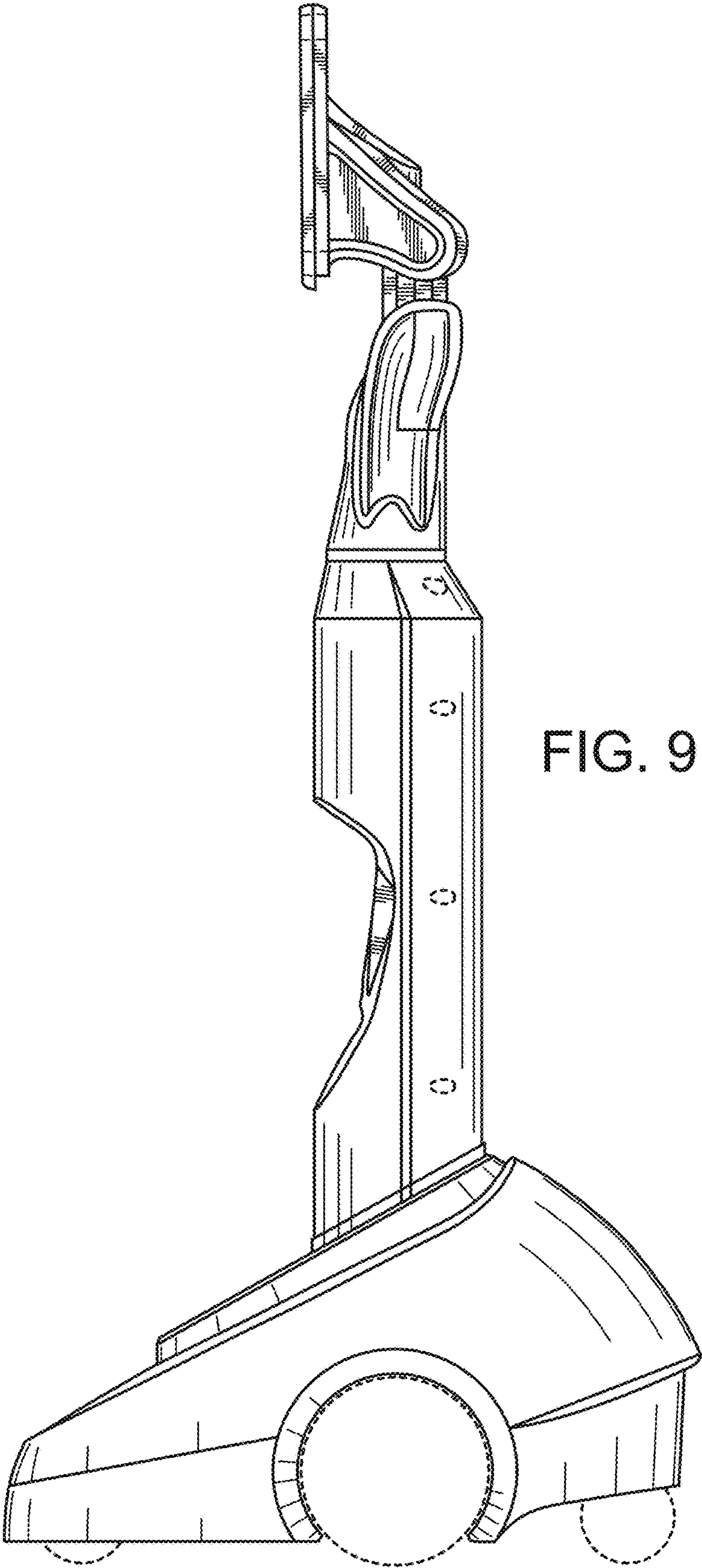


FIG. 9

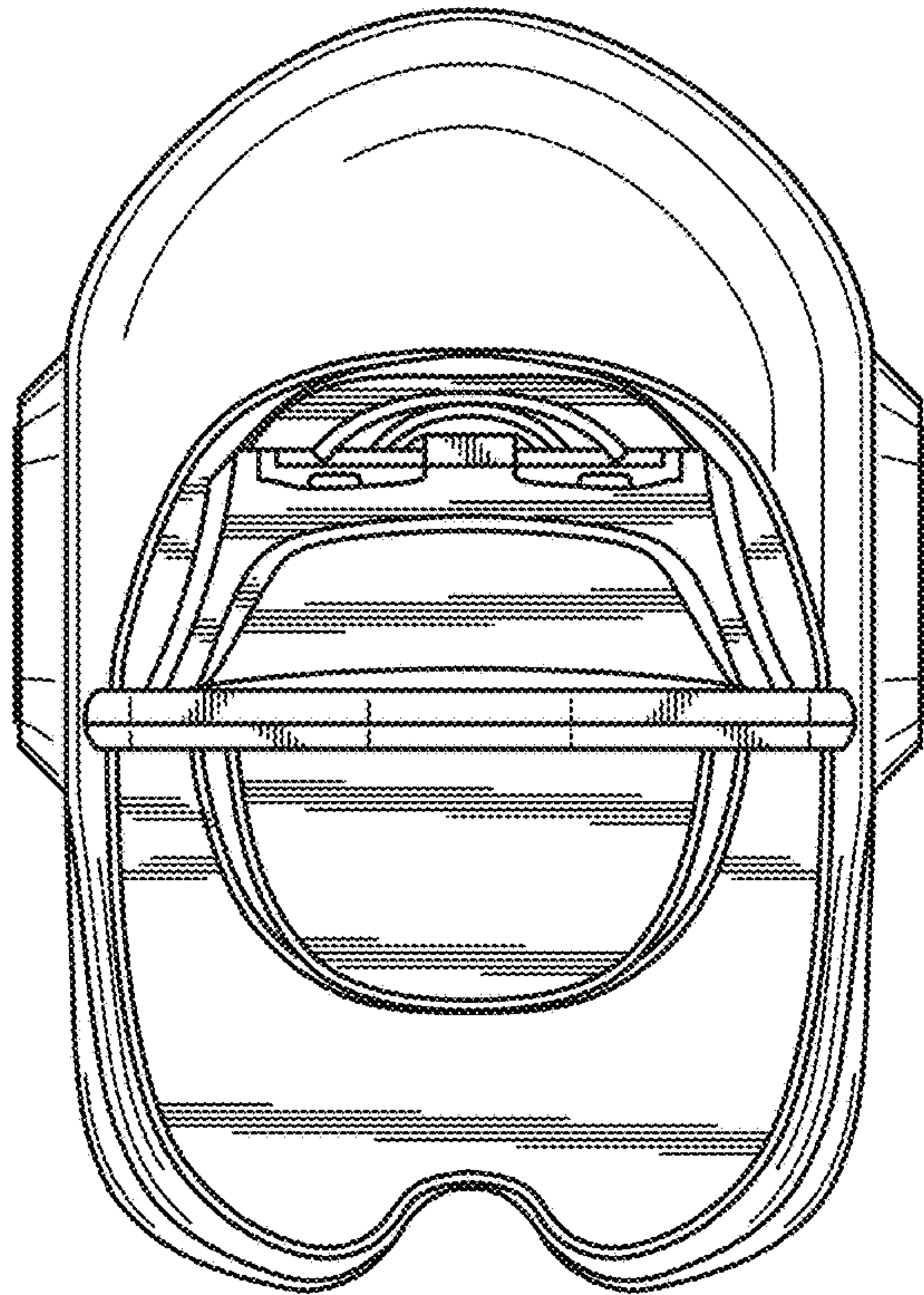


FIG. 10

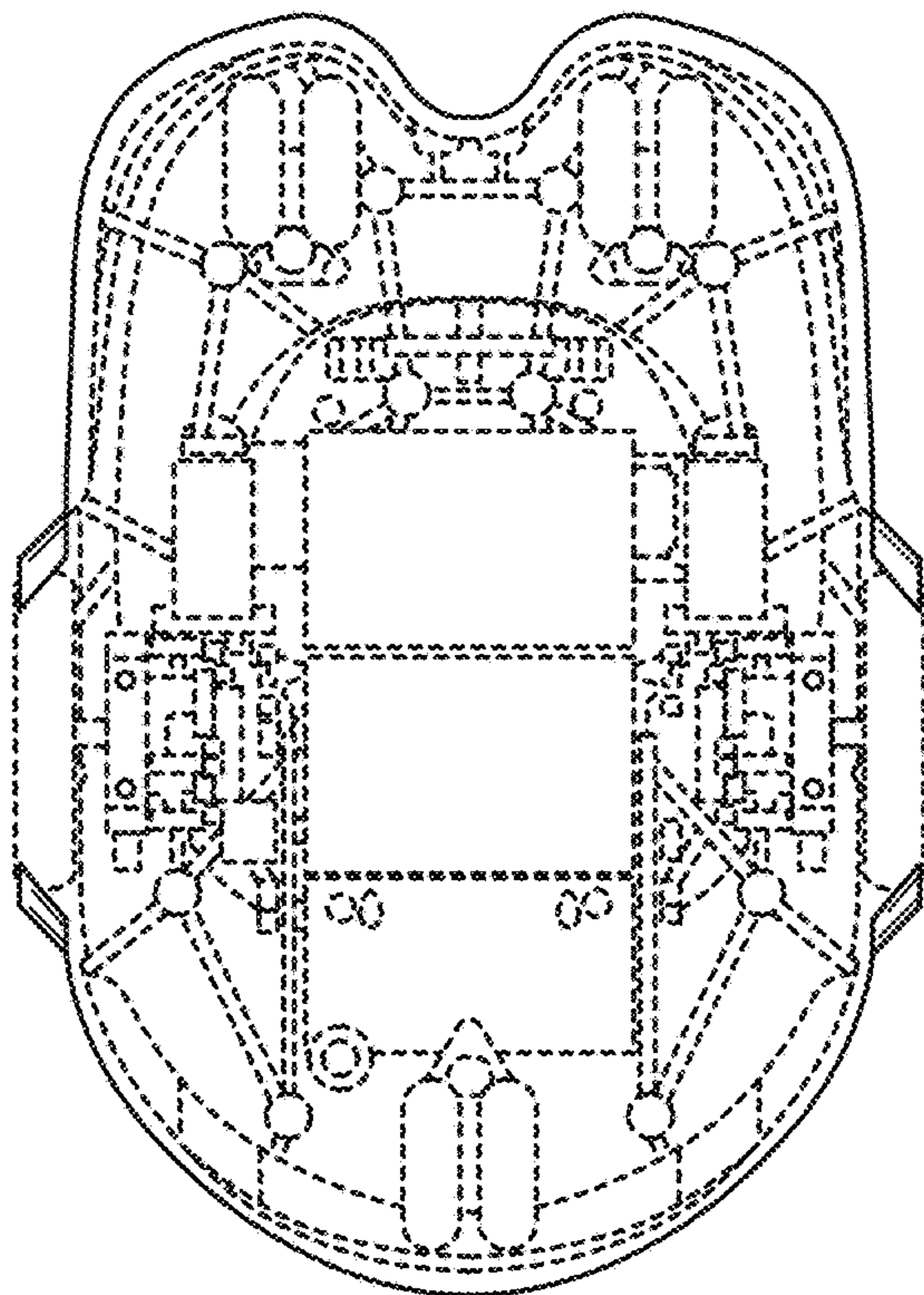


FIG. 11