



US00D829791S

(12) **United States Design Patent** (10) **Patent No.:** **US D829,791 S**  
**Fischer et al.** (45) **Date of Patent:** **\*\* Oct. 2, 2018**

(54) **CONTROL APPARATUS FOR A SOLDERING IRON**

(71) Applicant: **Apex Brands, Inc.**, Apex, NC (US)

(72) Inventors: **Thomas Fischer**, Bietigheim (DE);  
**Uwe Loch**, Löchgau (DE)

(73) Assignee: **APEX BRANDS, INC.**, Apex, NC (US)

(\*\*) Term: **15 Years**

(21) Appl. No.: **29/601,517**

(22) Filed: **Apr. 24, 2017**

**Related U.S. Application Data**

(62) Division of application No. 29/549,231, filed on Dec. 21, 2015, now Pat. No. Des. 790,613.

(30) **Foreign Application Priority Data**

Jun. 30, 2015 (EM) ..... 002728527

(51) **LOC (11) Cl.** ..... **15-09**

(52) **U.S. Cl.**  
USPC ..... **D15/144.2**

(58) **Field of Classification Search**  
USPC ..... D8/14, 29.1, 144.1, 144.2; D15/144,  
D15/144.1, 144.2  
CPC ..... B23K 3/027; B23K 3/033; B23K 3/03;  
B23K 3/0478  
See application file for complete search history.

(56) **References Cited**

**U.S. PATENT DOCUMENTS**

2,494,840 A 1/1950 Stephenson  
4,418,268 A 11/1983 Munshaw

D428,427 S 7/2000 Neef  
D490,448 S 5/2004 Ishihara  
D497,527 S 10/2004 Masaki  
D527,402 S 8/2006 Loch et al.  
D530,349 S 10/2006 Ishihara et al.  
D576,459 S 9/2008 Mochizuki  
D620,328 S 7/2010 Masaki  
D623,206 S 9/2010 Mittmann et al.  
D656,525 S 3/2012 Mochizuki et al.  
D703,715 S 4/2014 Kita  
D740,339 S 10/2015 Teraoka  
D762,754 S 8/2016 Kita

*Primary Examiner* — Philip S Hyder

(74) *Attorney, Agent, or Firm* — Coats & Bennett, PLLC

(57) **CLAIM**

The ornamental design for a control apparatus for a soldering iron, as shown and described.

**DESCRIPTION**

FIG. 1 is a perspective view of a control apparatus for a soldering iron embodying our new design.

FIG. 2 is a back view of the control apparatus for a soldering iron of FIG. 1.

FIG. 3 is a bottom view of the control apparatus for a soldering iron of FIG. 1.

FIG. 4 is a front view of the control apparatus for a soldering iron of FIG. 1.

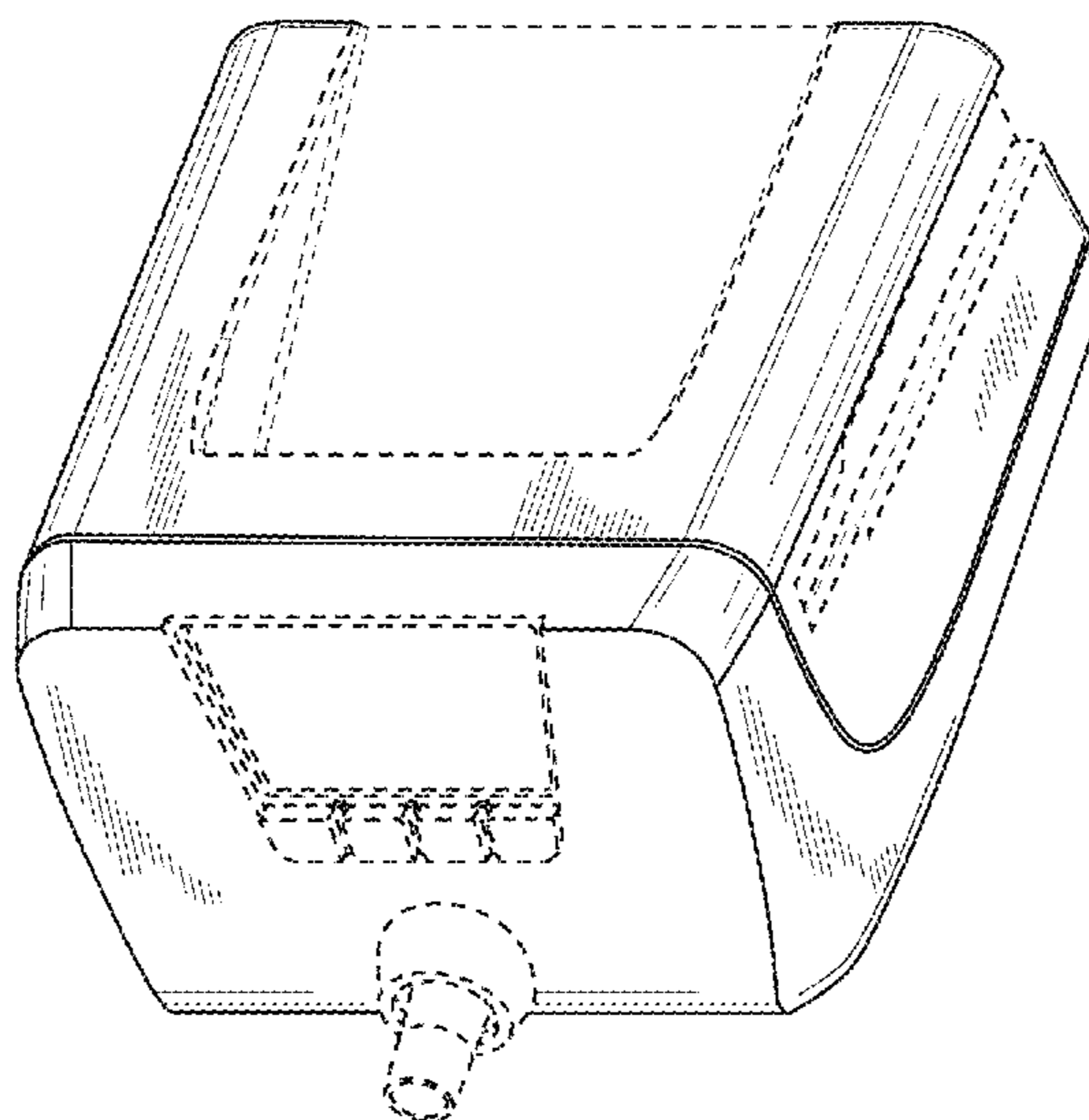
FIG. 5 is a left side view of the control apparatus for a soldering iron of FIG. 1.

FIG. 6 is a right side view of the control apparatus for a soldering iron of FIG. 1; and,

FIG. 7 is a top view of the control apparatus for a soldering iron of FIG. 1.

The broken lines depict portions of the control apparatus in which the design is embodied that are not considered part of the claimed design.

**1 Claim, 7 Drawing Sheets**



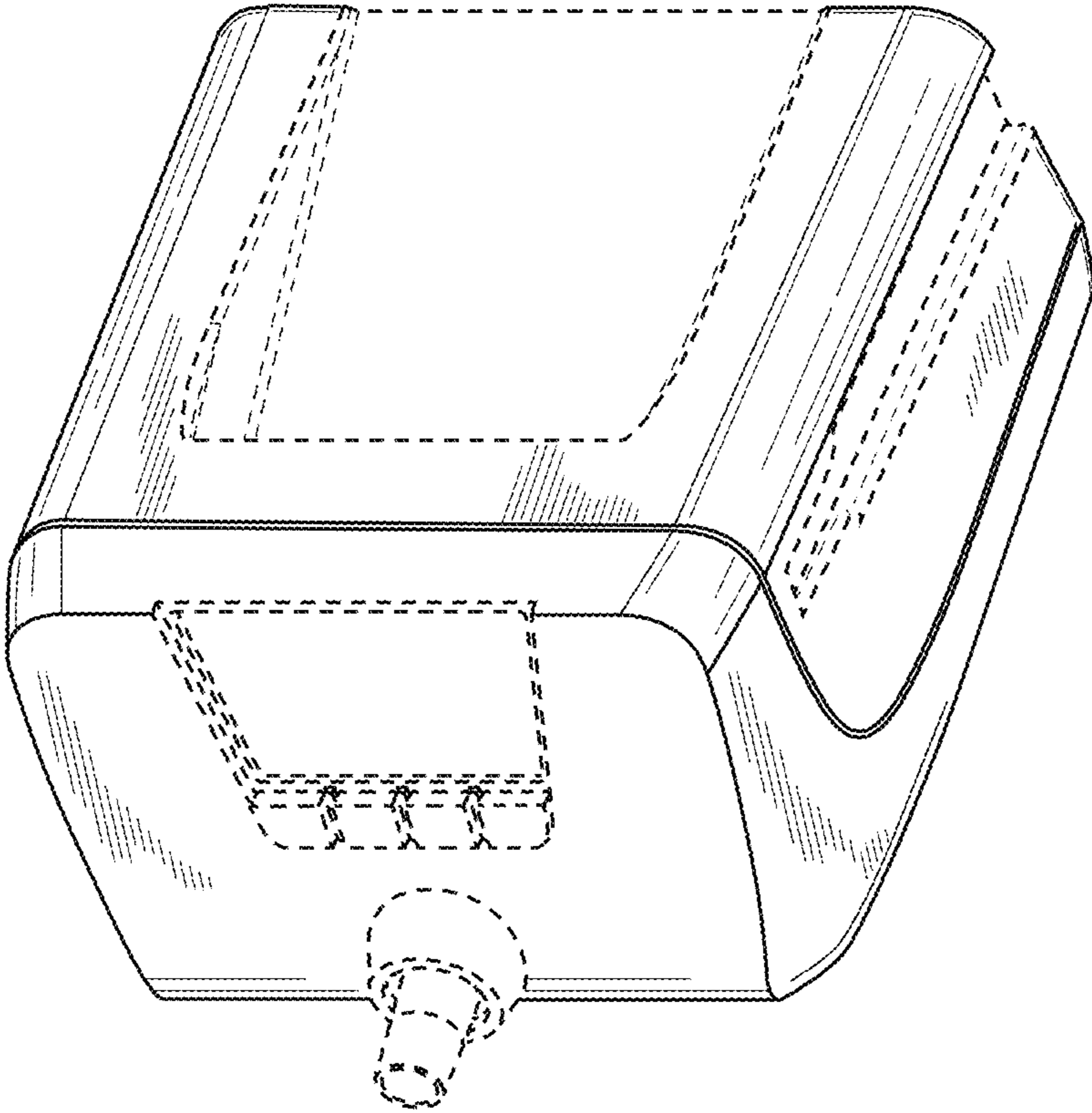
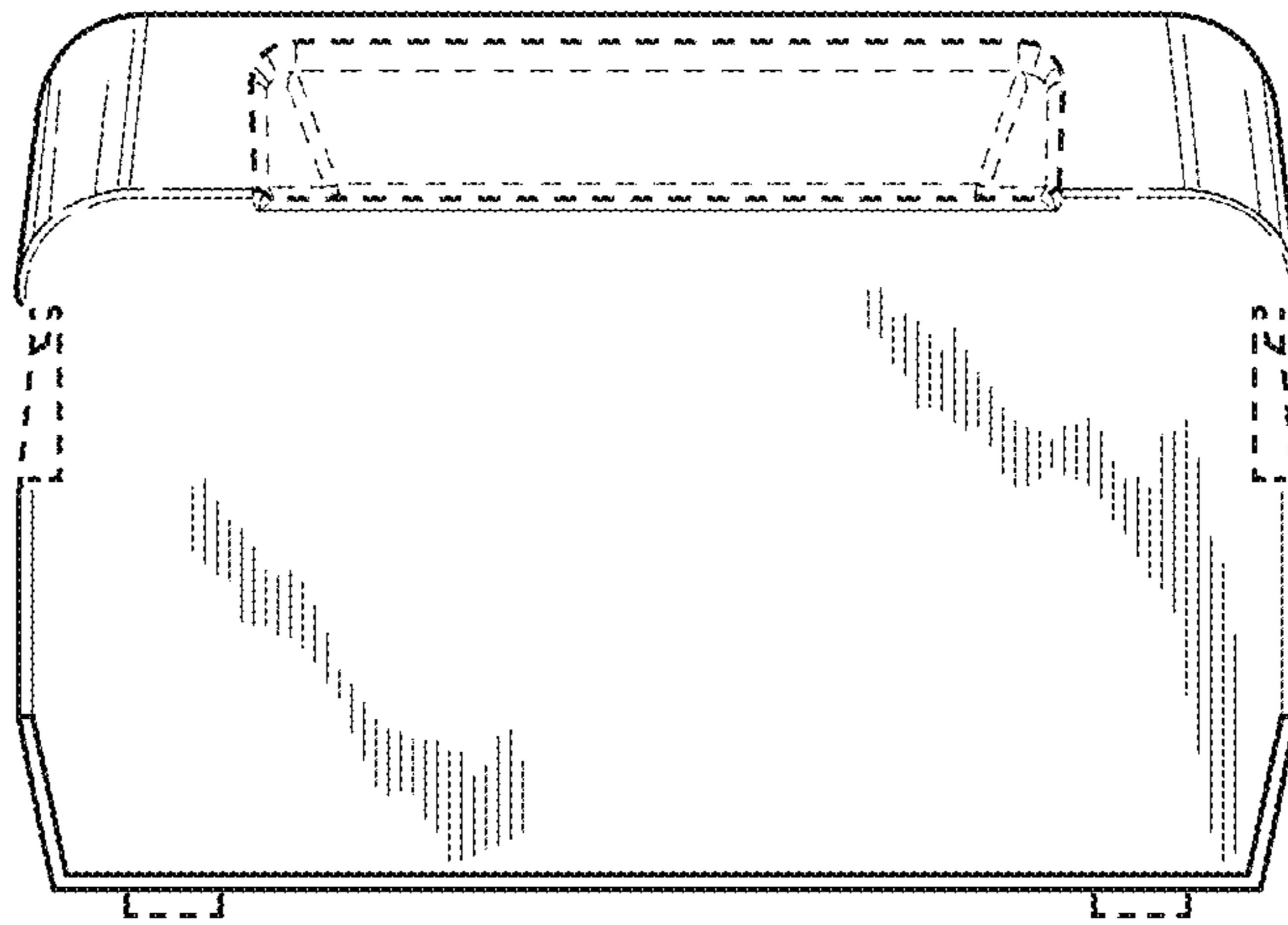
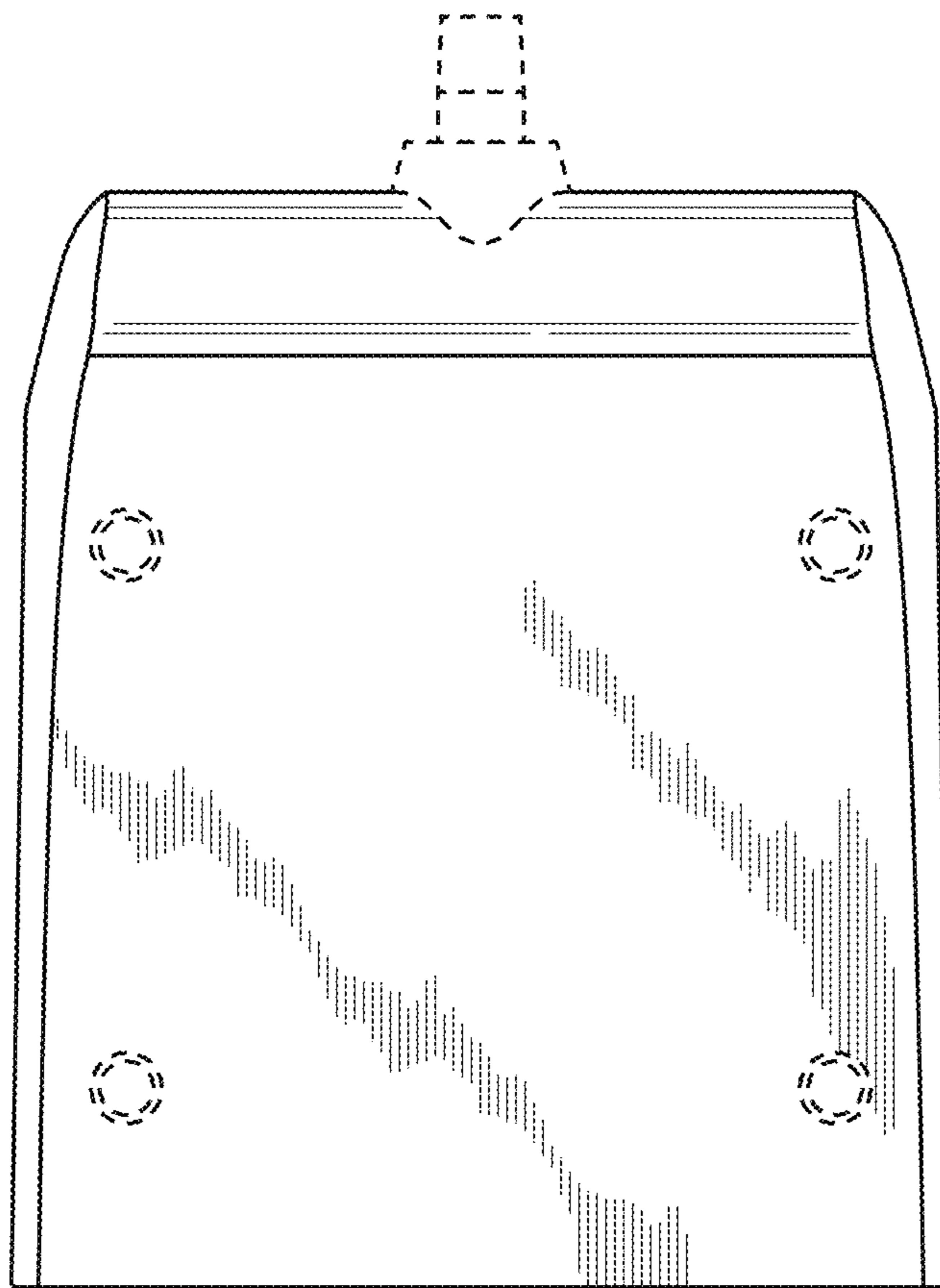


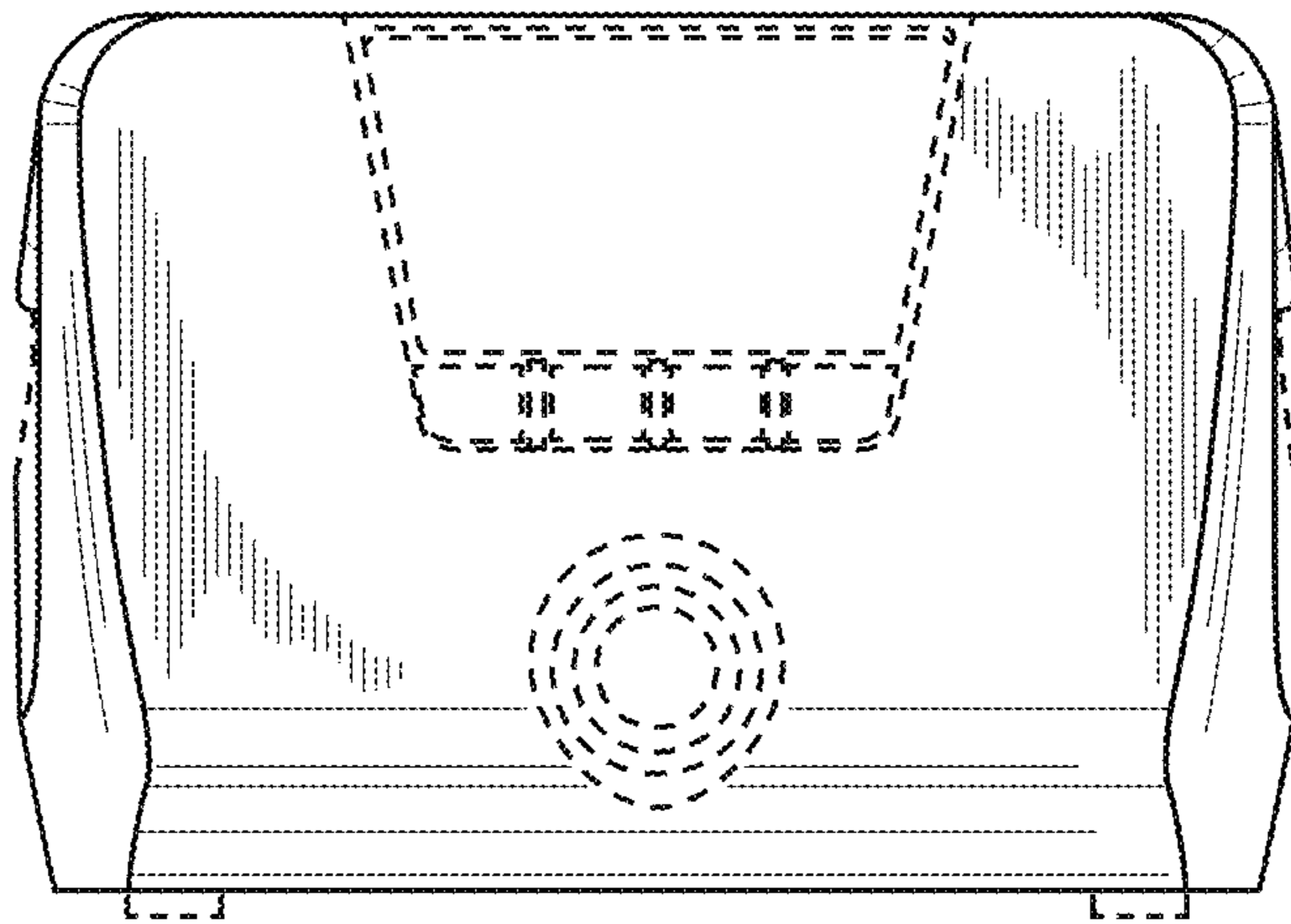
FIG. 1



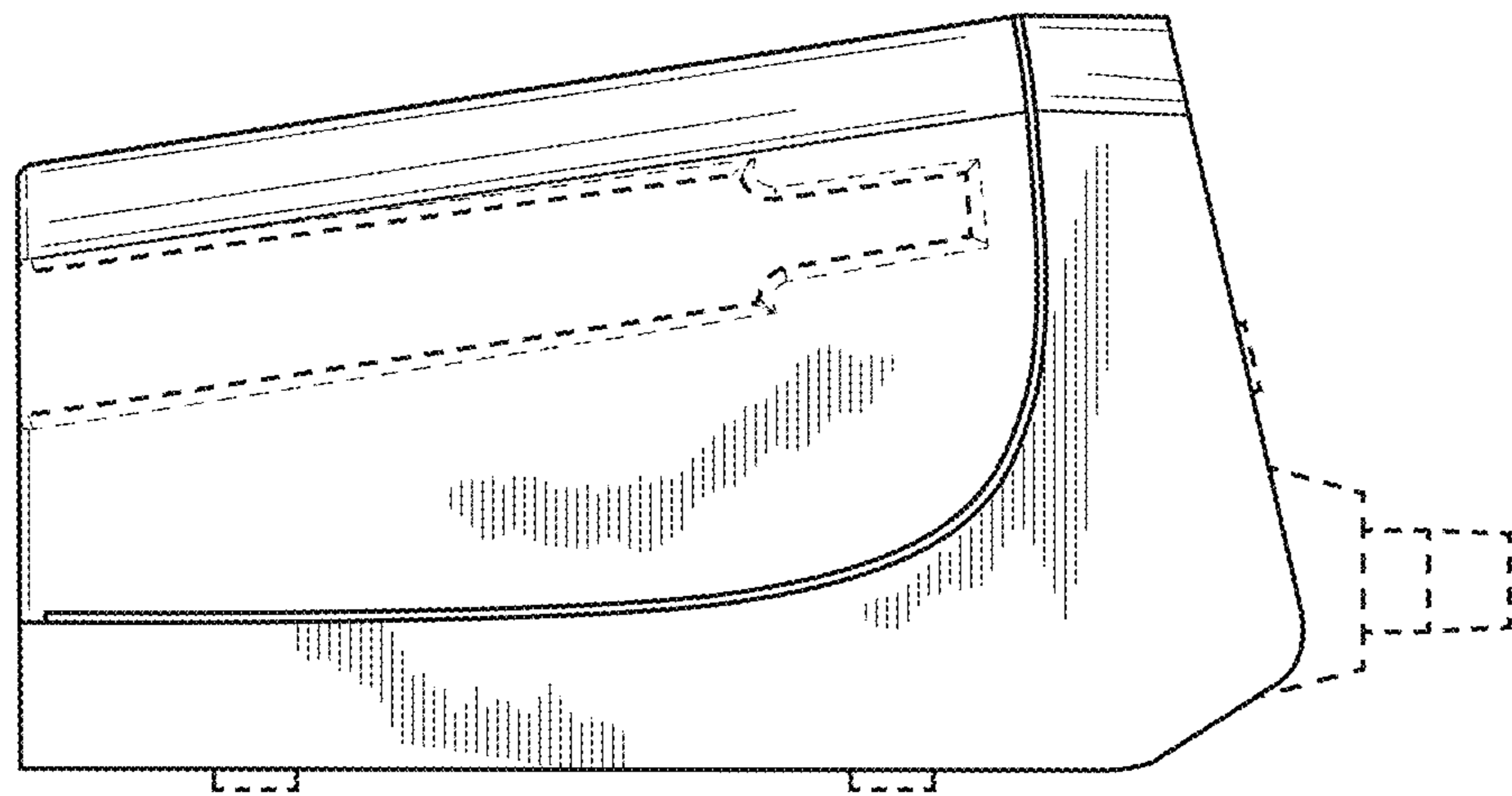
**FIG. 2**



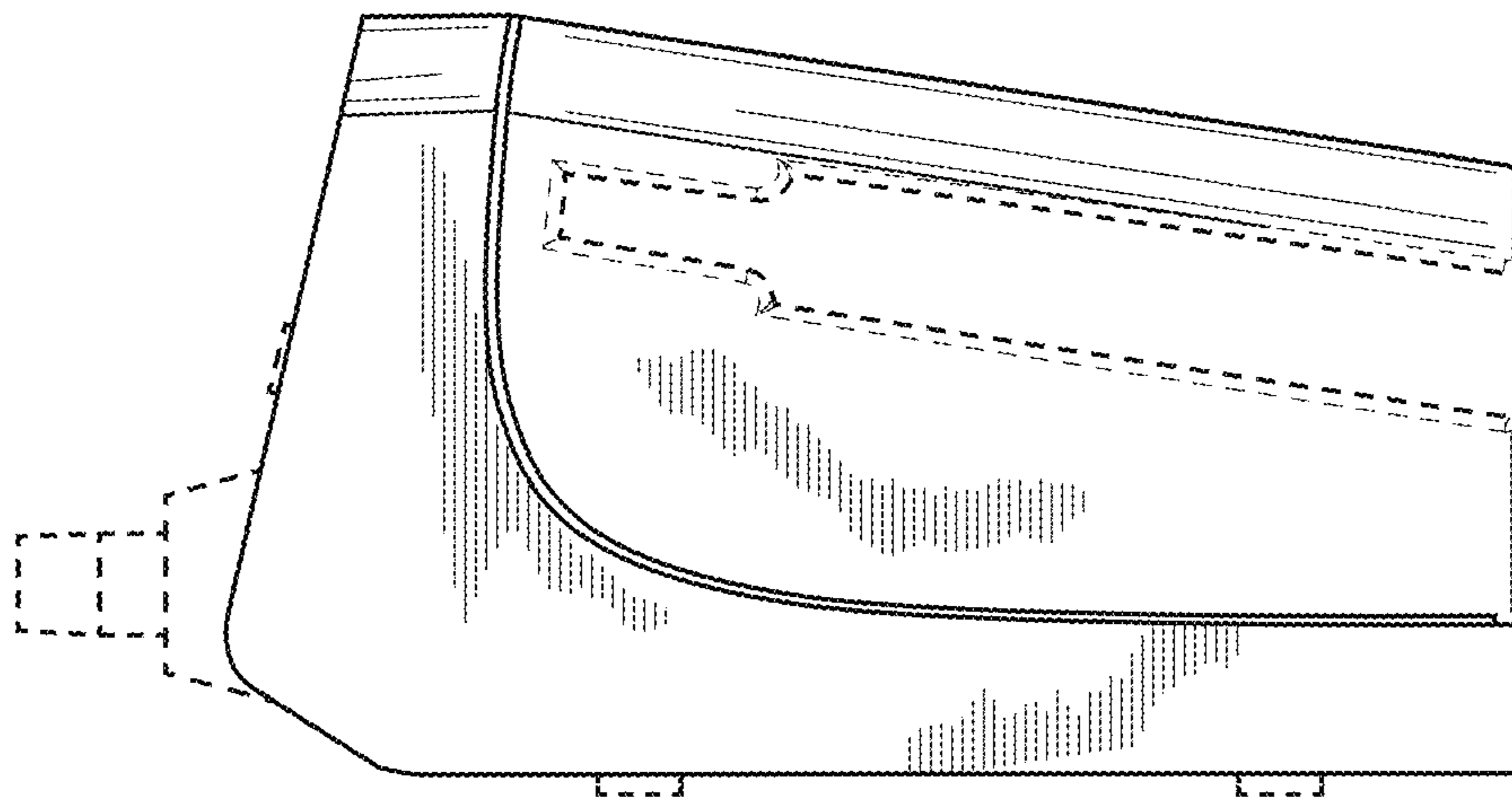
**FIG. 3**



**FIG. 4**

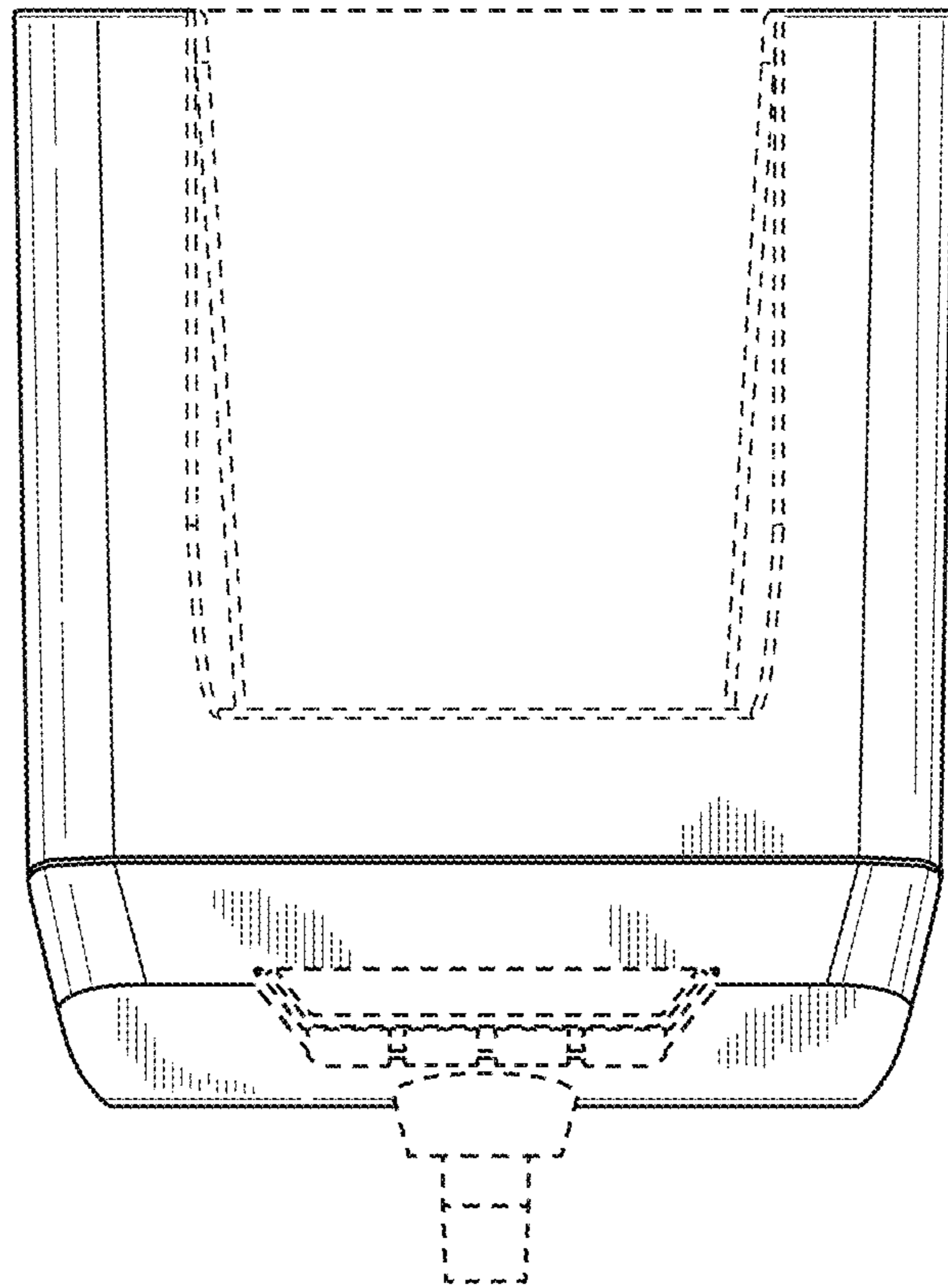


**FIG. 5**



**FIG. 6**





**FIG. 7**