

US00D829788S

(12) **United States Design Patent**
Lin

(10) **Patent No.:** **US D829,788 S**
(45) **Date of Patent:** **** Oct. 2, 2018**

(54) **ELECTRIC WELDING MACHINE**
(71) Applicant: **Yang Lin**, Wenling, Taizhou (CN)
(72) Inventor: **Yang Lin**, Wenling, Taizhou (CN)
(**) Term: **15 Years**

(21) Appl. No.: **29/585,742**
(22) Filed: **Nov. 28, 2016**

(30) **Foreign Application Priority Data**

Jul. 30, 2016 (CN) 2016 3 0358476
Jul. 30, 2016 (CN) 2016 3 0358497

(51) **LOC (11) Cl.** **15-09**
(52) **U.S. Cl.**
USPC **D15/144**
(58) **Field of Classification Search**
USPC D8/29.1, 30; D15/144, 144.1, 144.2
CPC B23K 9/32; B23K 9/028; B23K 9/1006;
B23K 9/1735; B23K 11/28; B23K 37/053
See application file for complete search history.

(56) **References Cited**

U.S. PATENT DOCUMENTS

D243,459 S * 2/1977 Bliss D15/144
5,624,589 A * 4/1997 Latvis B23K 9/32
219/133
5,642,260 A * 6/1997 Sigl B23K 9/32
174/16.1
5,734,148 A * 3/1998 Latvis B23K 9/32
219/133
D416,030 S * 11/1999 Weller D15/144.1
6,046,664 A * 4/2000 Weller B23K 9/1006
336/182
6,137,080 A * 10/2000 Borchardt B23K 9/32
219/133
6,489,591 B1 * 12/2002 Achtner B23K 9/32
219/130.1
D520,038 S * 5/2006 Ljungfeldt D15/144.1

D569,884 S * 5/2008 Shu D15/144
D626,576 S * 11/2010 Gramatyka D15/144
D654,519 S * 2/2012 Wujczak D15/144
D679,738 S * 4/2013 Segala D15/144
D752,665 S * 3/2016 Kindig D15/144
9,636,768 B2 * 5/2017 Rozmarynowski B23K 10/00
2004/0026393 A1 * 2/2004 Matiash B23K 9/124
219/137.2
2005/0045608 A1 * 3/2005 Sykes B23K 9/1006
219/130.5
2005/0263514 A1 * 12/2005 Albrecht B23K 9/1006
219/133
2006/0124620 A1 * 6/2006 Diekmann B23K 9/1006
219/130.1
2009/0071949 A1 * 3/2009 Harris B23K 9/1006
219/130.1
2009/0159581 A1 * 6/2009 Sommerfeld B23K 9/32
219/133

(Continued)

Primary Examiner — Patricia A Palasik
(74) *Attorney, Agent, or Firm* — Sarika Singh; McNeely,
Hare & War LLP

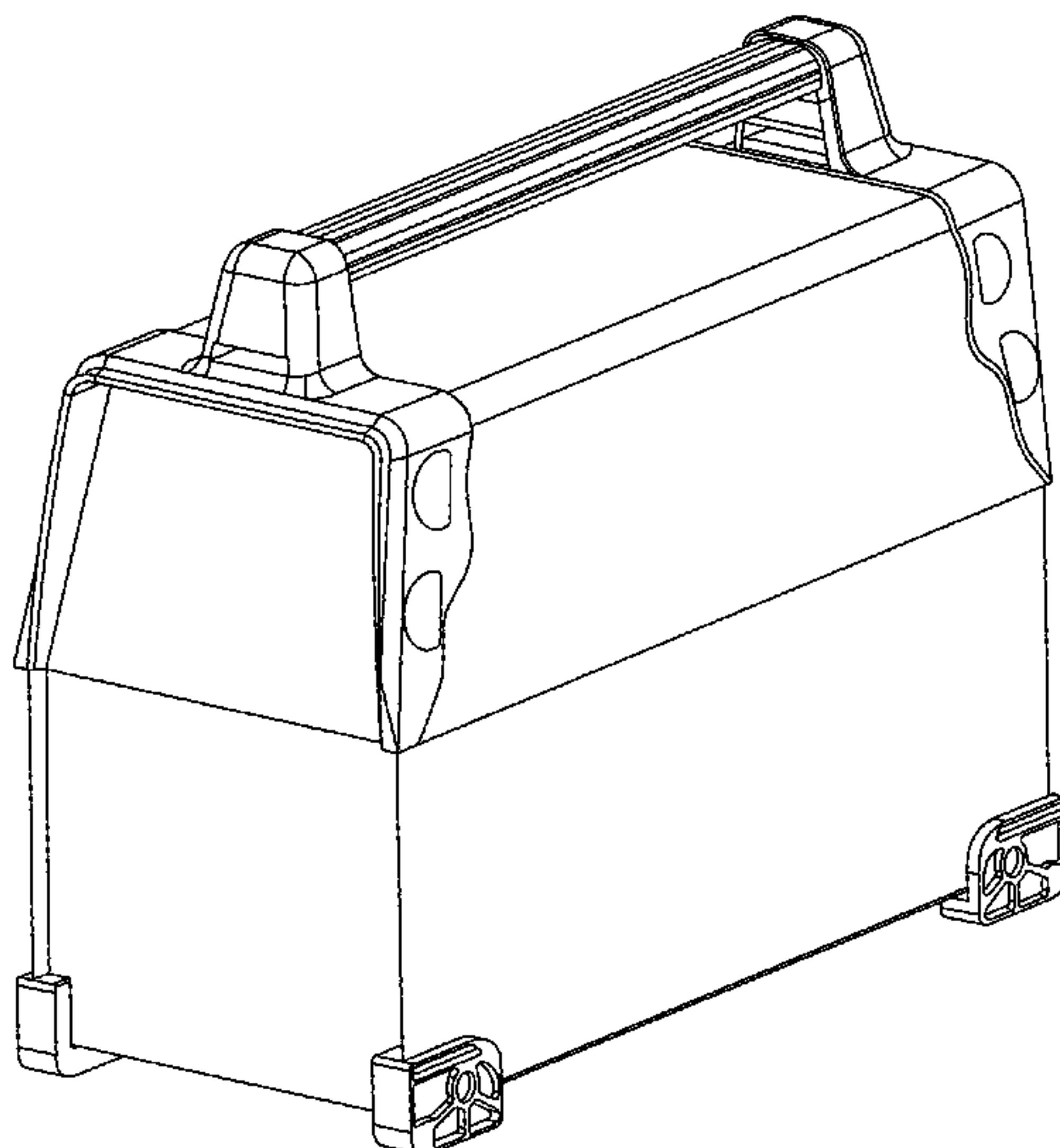
(57) **CLAIM**

The ornamental design for an electric welding machine, as shown and described.

DESCRIPTION

FIG. 1 is a front view of an electric welding machine showing my new design;
FIG. 2 is a back view thereof;
FIG. 3 is a left view thereof;
FIG. 4 is a right view thereof;
FIG. 5 is a top view thereof;
FIG. 6 is a bottom view thereof; and,
FIG. 7 is a perspective view thereof.
The broken lines in the drawings depict unclaimed environmental subject matter.

1 Claim, 7 Drawing Sheets



(56)

References Cited

U.S. PATENT DOCUMENTS

2011/0114611 A1* 5/2011 Cole B23K 9/1006
219/130.1
2011/0192823 A1* 8/2011 Williams B23K 9/16
219/121.39
2013/0228556 A1* 9/2013 Segala B23K 10/00
219/121.39
2014/0061169 A1* 3/2014 Sammons B23K 9/1006
219/109
2015/0021306 A1* 1/2015 Rozmarynowski .. B23K 9/1043
219/130.1
2015/0273607 A1* 10/2015 Denis B23K 9/1006
219/133
2017/0036290 A1* 2/2017 Enyedy B23K 9/1006
2017/0129036 A1* 5/2017 Christopher B23K 9/0956
2017/0225257 A1* 8/2017 Lapelosa B23K 9/32

* cited by examiner

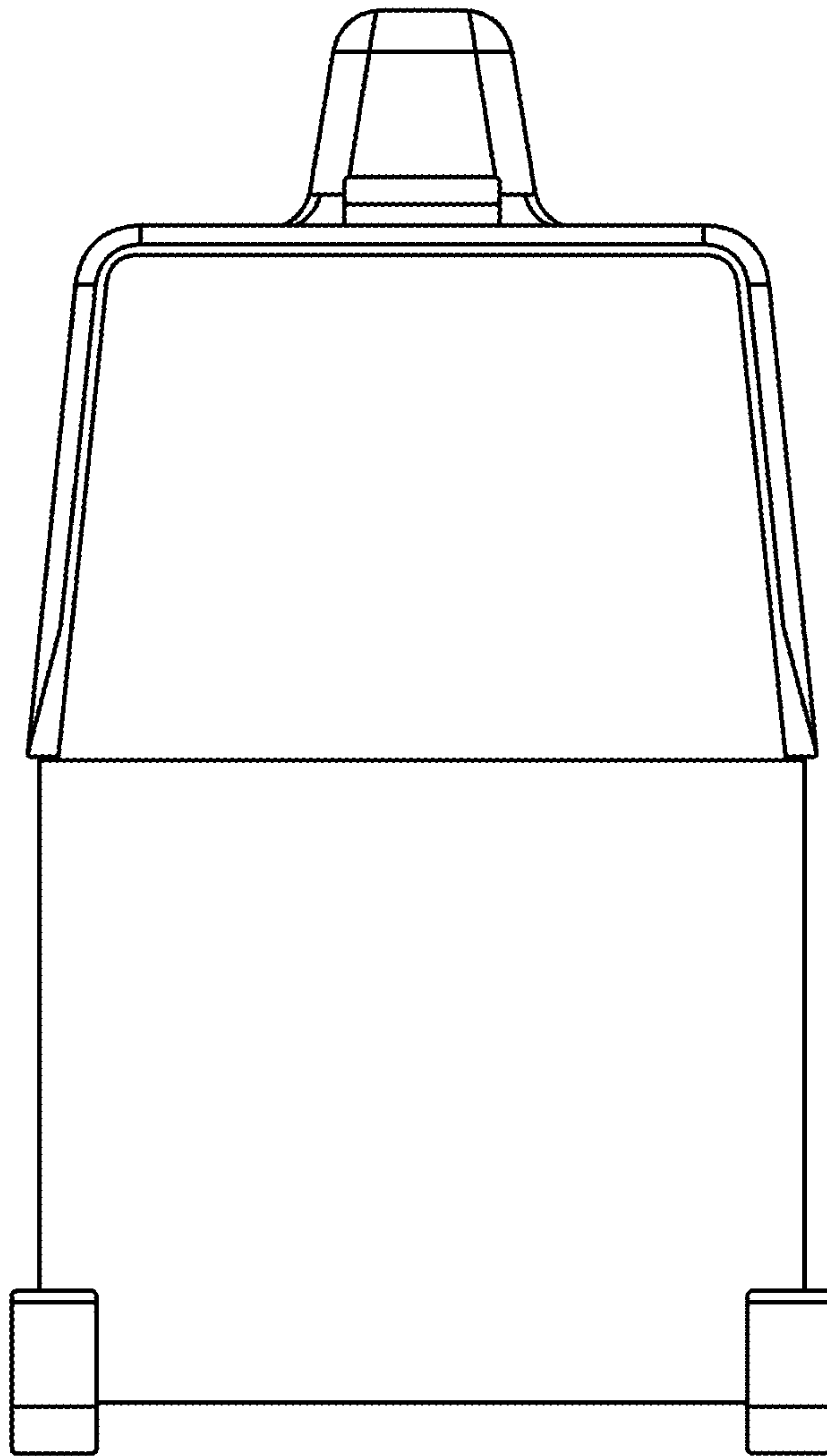


FIG. 1

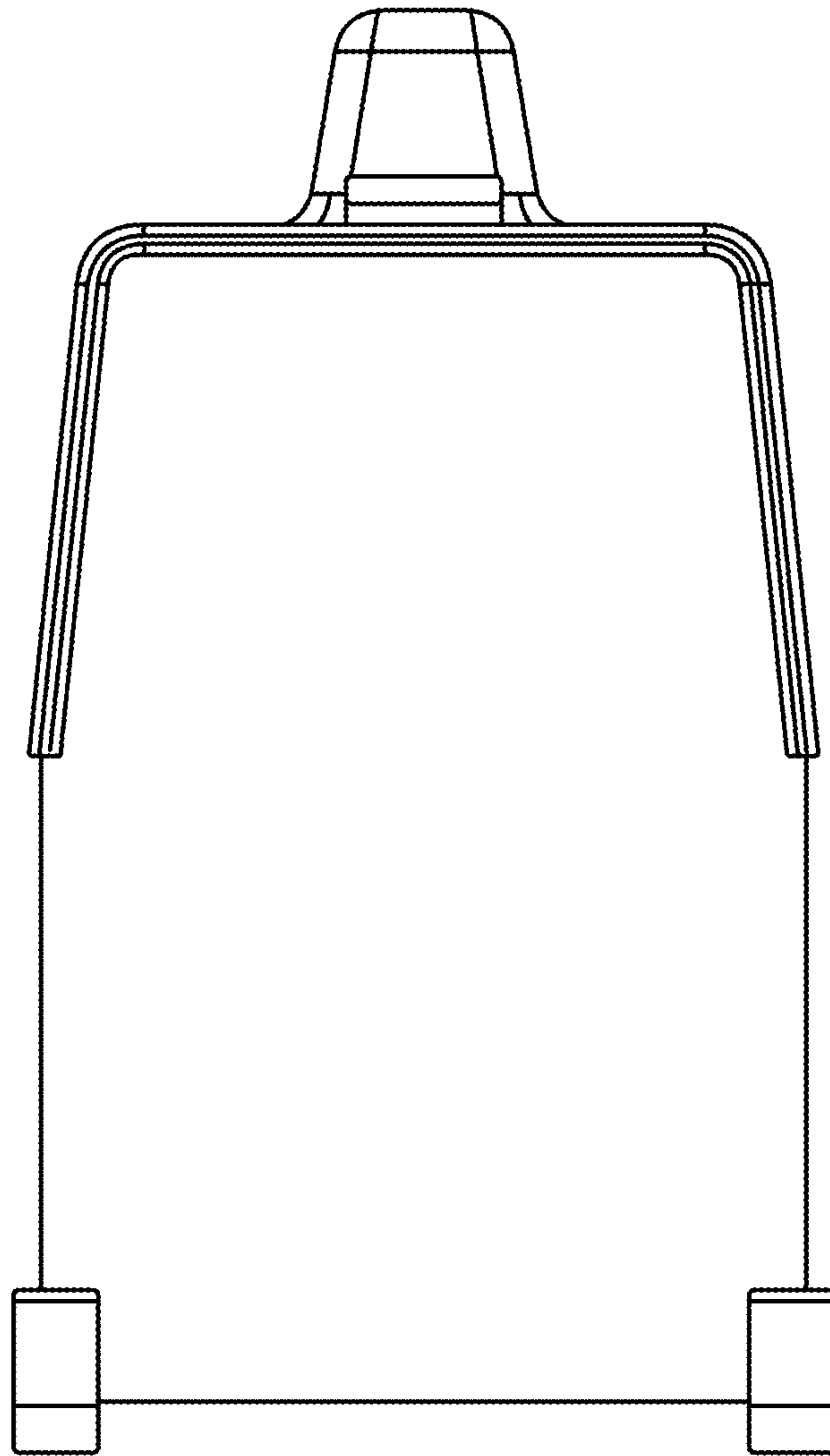


FIG. 2

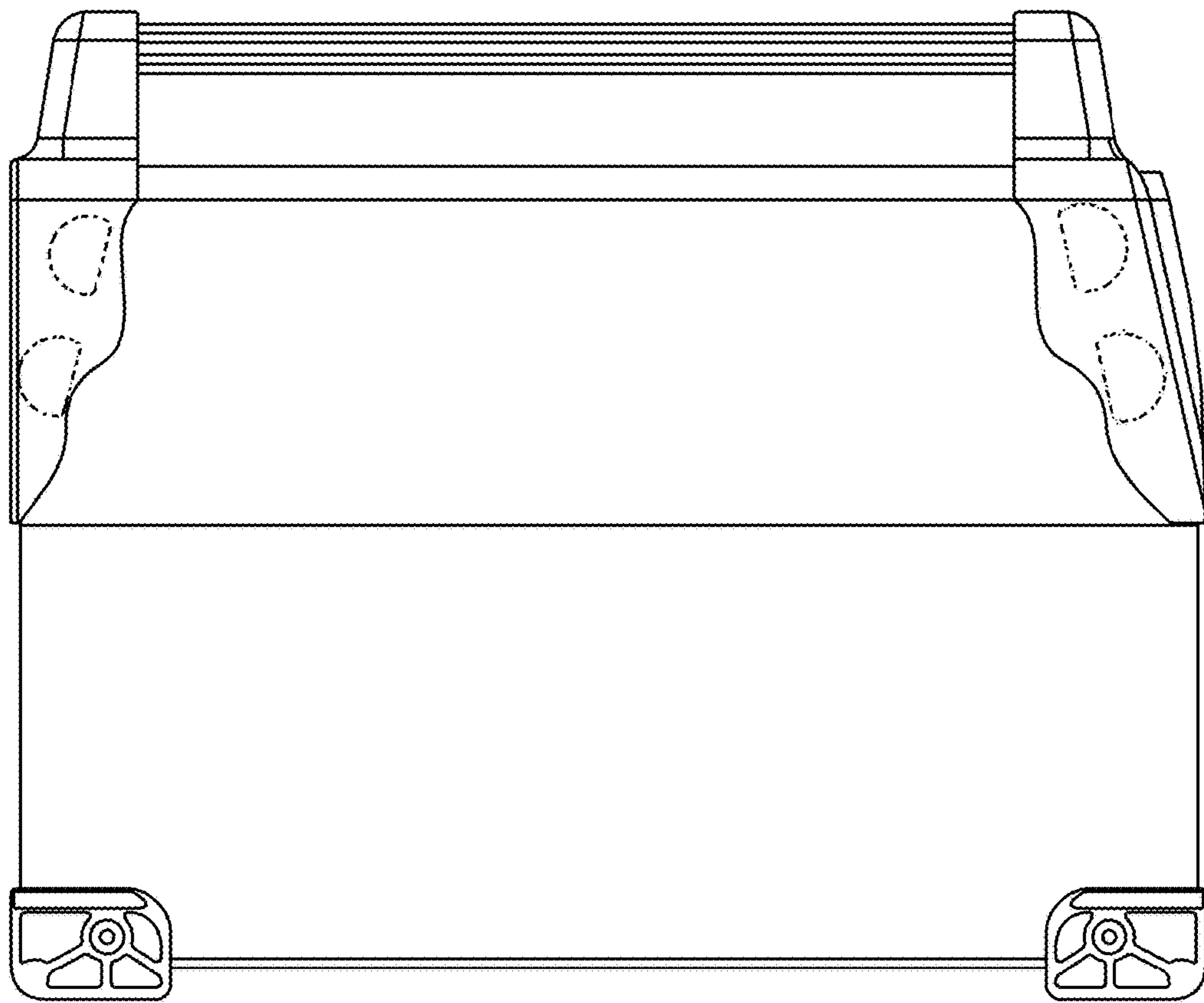


FIG. 3

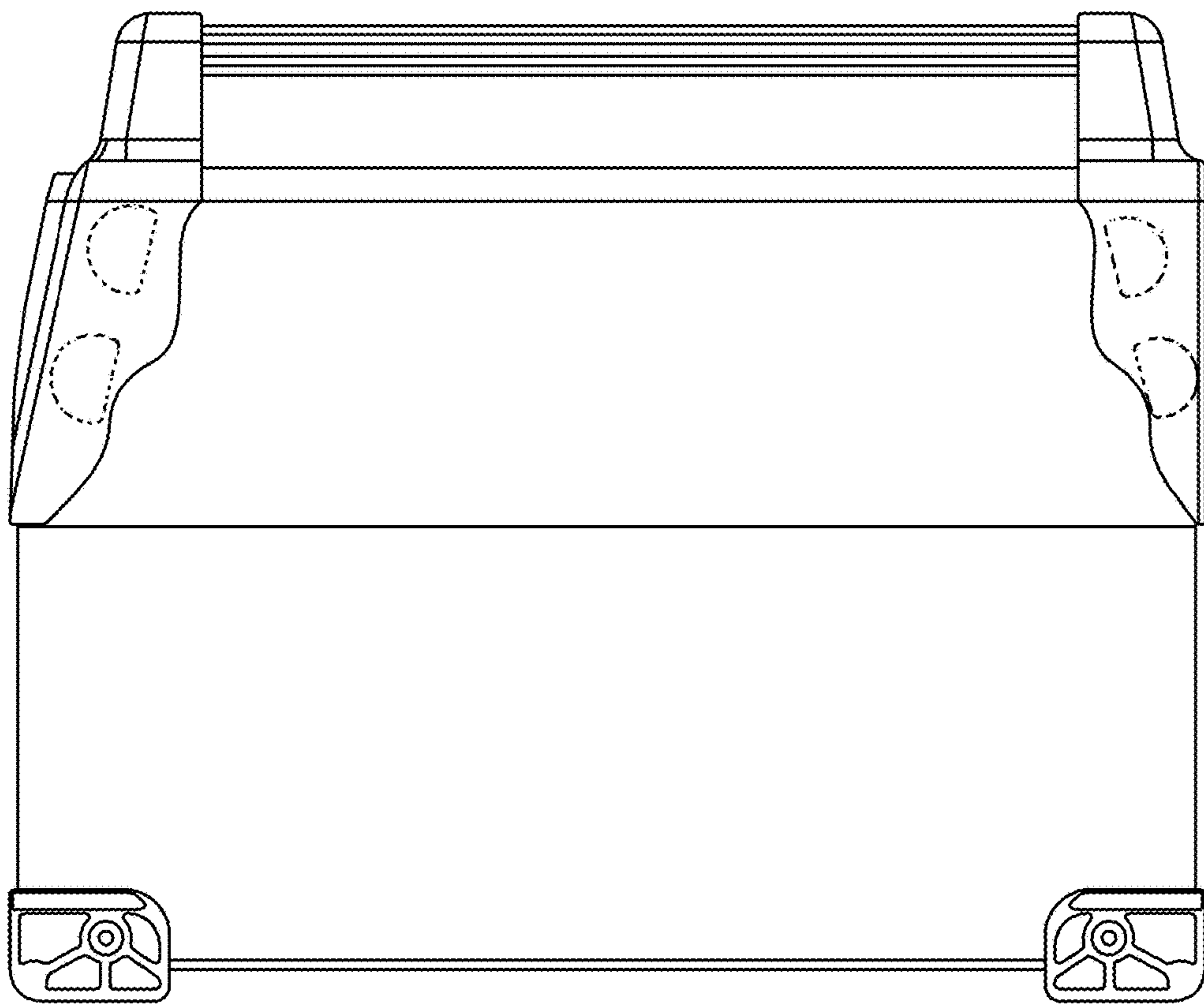


FIG. 4

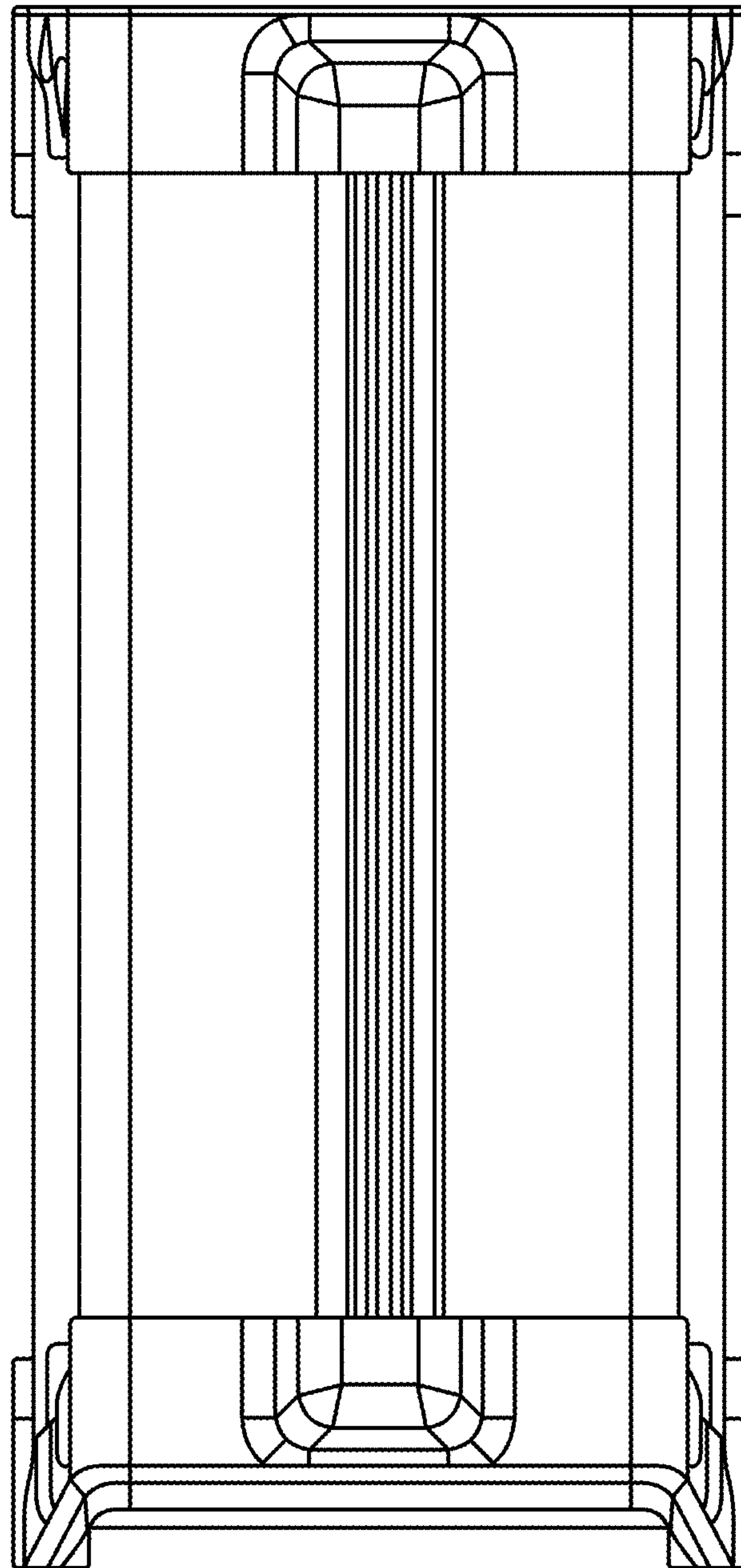


FIG. 5

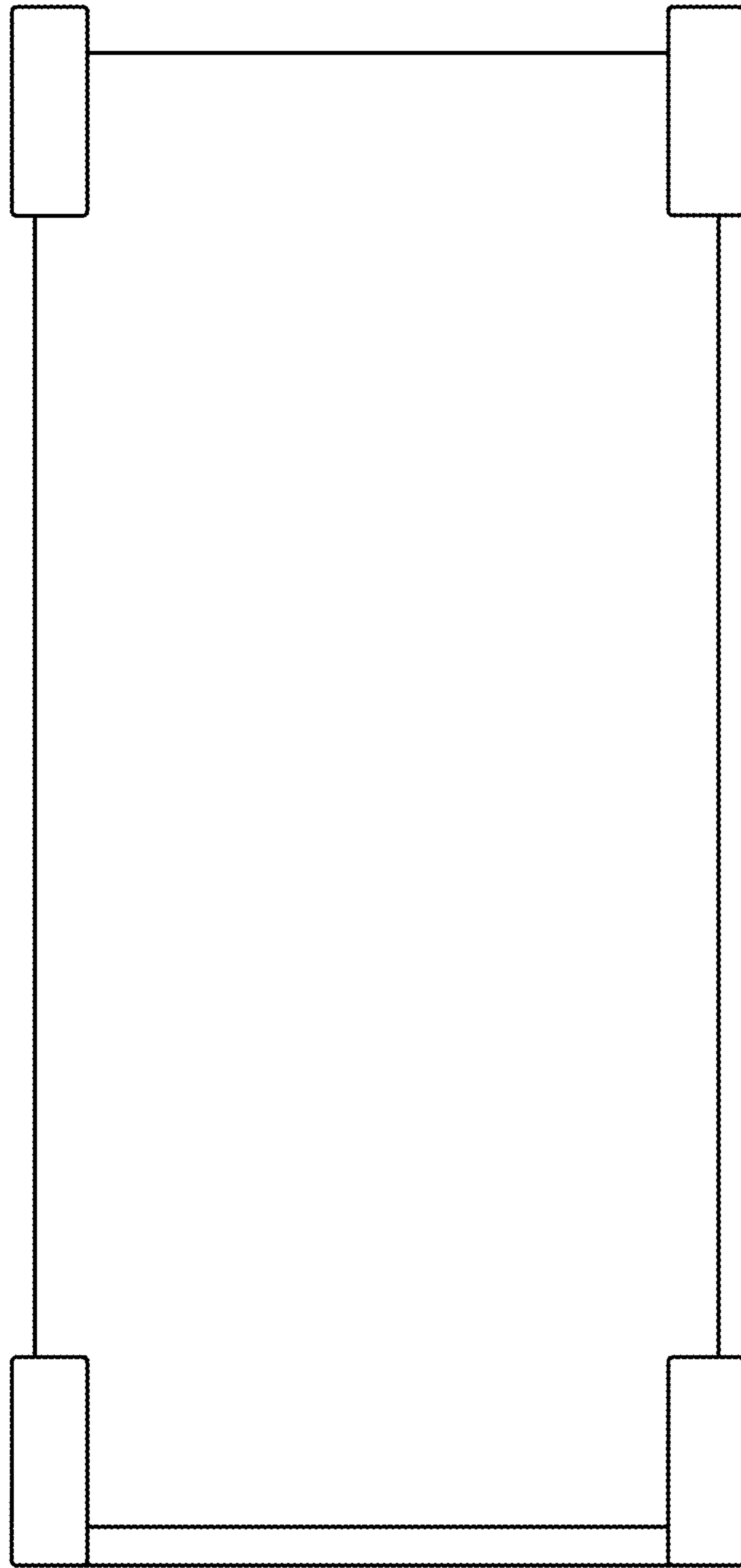


FIG. 6

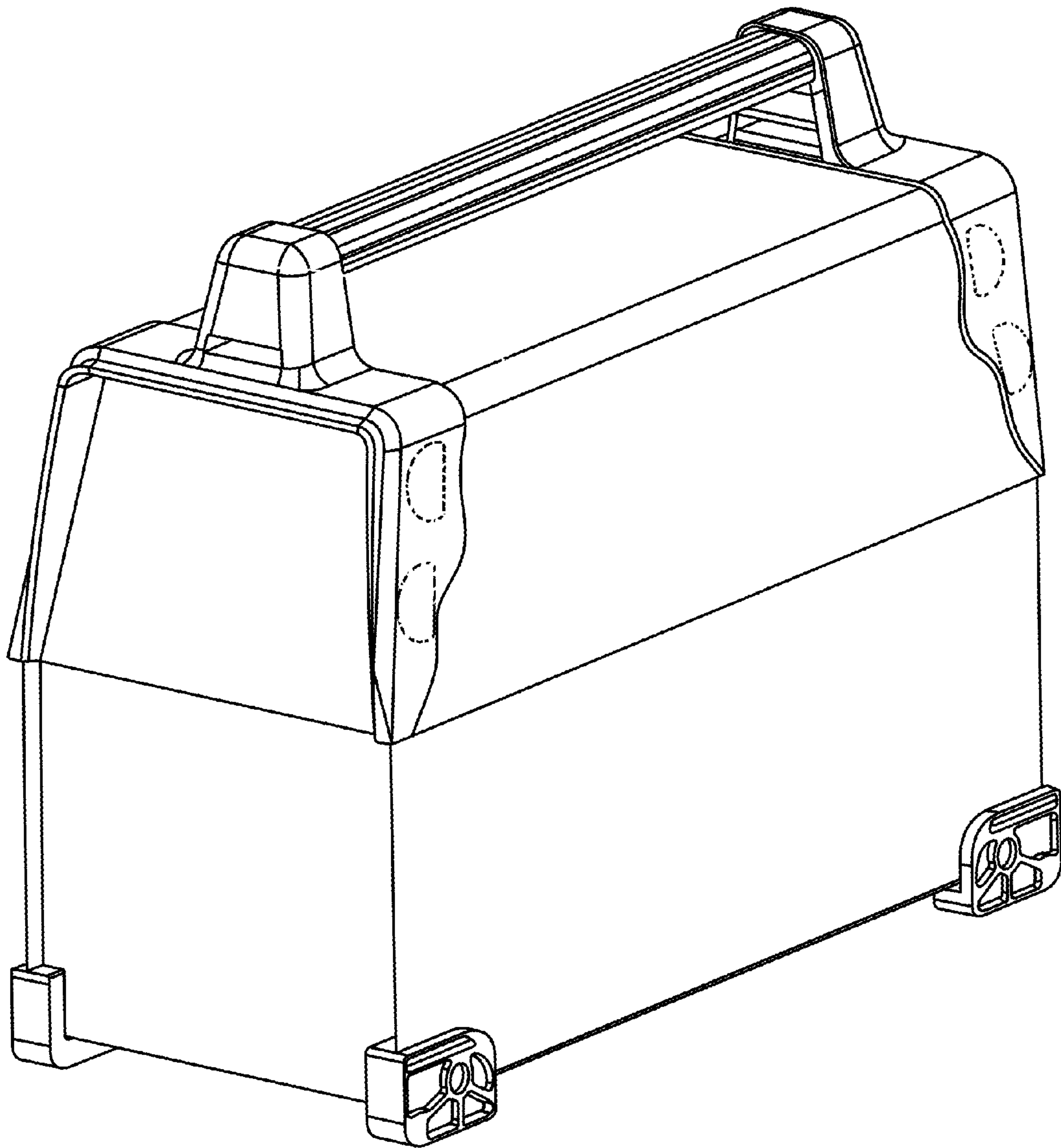


FIG. 7