

US00D829784S

(12) **United States Design Patent** (10) **Patent No.:** **US D829,784 S**  
**Williams et al.** (45) **Date of Patent:** **\*\* Oct. 2, 2018**

(54) **FLUID APPLICATOR**

(71) Applicants: **Craig A. Williams**, Maumee, OH (US);  
**Charles J. Barnhart**, Toledo, OH (US)

(72) Inventors: **Craig A. Williams**, Maumee, OH (US);  
**Charles J. Barnhart**, Toledo, OH (US)

(73) Assignee: **Designetics, Inc.**, Holland, OH (US)

(\*\*) Term: **15 Years**

(21) Appl. No.: **29/570,404**

(22) Filed: **Jul. 7, 2016**

(51) **LOC (11) Cl.** ..... **15-09**

(52) **U.S. Cl.**  
USPC ..... **D15/138**

(58) **Field of Classification Search**  
 USPC ..... D15/138-143, 199; D23/213; D9/723,  
 D9/724, 725, 434, 435, 499  
 CPC ..... B05C 1/00; B05C 1/06; B05C 5/0254;  
 B05C 17/00; B05C 17/002; B05C 1/0808;  
 B05C 11/02; B05C 11/023; B05C  
 11/1002; B05C 11/1034; B05C 13/00;  
 B05C 13/02; B05C 17/00553; B05C  
 17/00566; B05C 17/00576; B05C  
 17/00583; B05C 17/00596; B05C 17/01;  
 B05C 17/0116; B05C 17/0308; B05C  
 17/0341; B05C 17/0357; B05C 17/12;  
 B05C 1/02; B05C 1/027; B05C 1/04;  
 B05C 3/00; B05C 5/0212; B05C 5/025;  
 B05C 9/08

See application file for complete search history.

(56) **References Cited**

U.S. PATENT DOCUMENTS

4,030,341	A *	6/1977	Sullivan .....	G01N 1/2813 73/61.54
5,193,928	A *	3/1993	Balzer .....	B05C 17/002 222/83
D688,953	S *	9/2013	Korper .....	D28/7
D745,583	S *	12/2015	Arikan .....	D15/138
D748,223	S *	1/2016	Williams .....	D23/213
D755,866	S *	5/2016	Spraw .....	D15/138
D758,531	S *	6/2016	Williams .....	D23/213
D762,752	S *	8/2016	Mortimer .....	D15/138
D772,314	S *	11/2016	Williams .....	D15/138
D781,940	S *	3/2017	Ooba .....	D15/138

\* cited by examiner

*Primary Examiner* — Ian Simmons

*Assistant Examiner* — Khawaja Anwar

(74) *Attorney, Agent, or Firm* — Donald K. Wedding

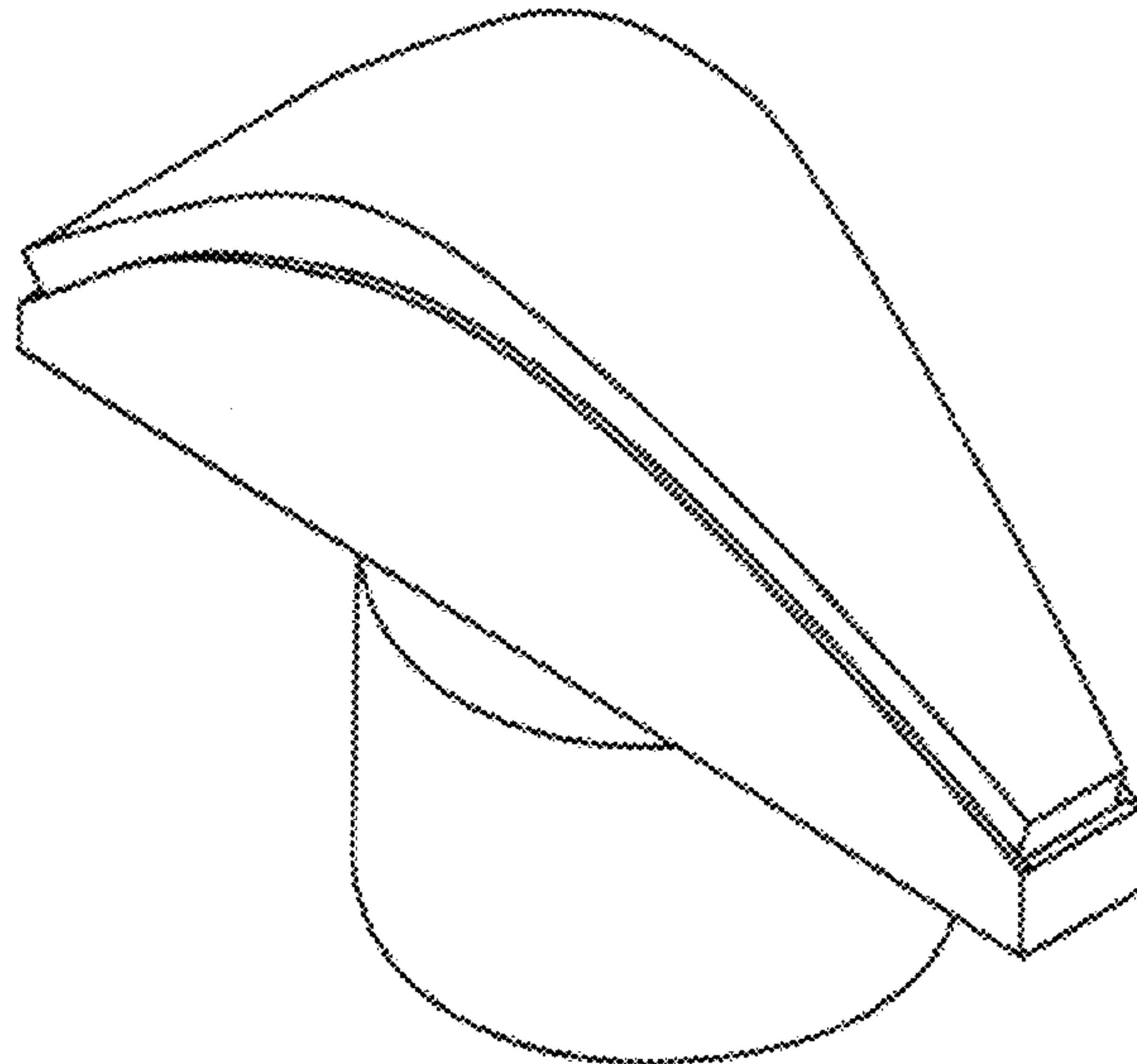
(57) **CLAIM**

The ornamental design for a fluid applicator, as shown and described.

**DESCRIPTION**

FIG. 1 is a perspective view of a fluid applicator, showing our new design.  
 FIG. 2 is another perspective view thereof;  
 FIG. 3 is a top view thereof;  
 FIG. 4 is a right side elevation view thereof;  
 FIG. 5 is a left side elevation view thereof;  
 FIG. 6 is an end view thereof; and,  
 FIG. 7 is another end view thereof.

**1 Claim, 3 Drawing Sheets**



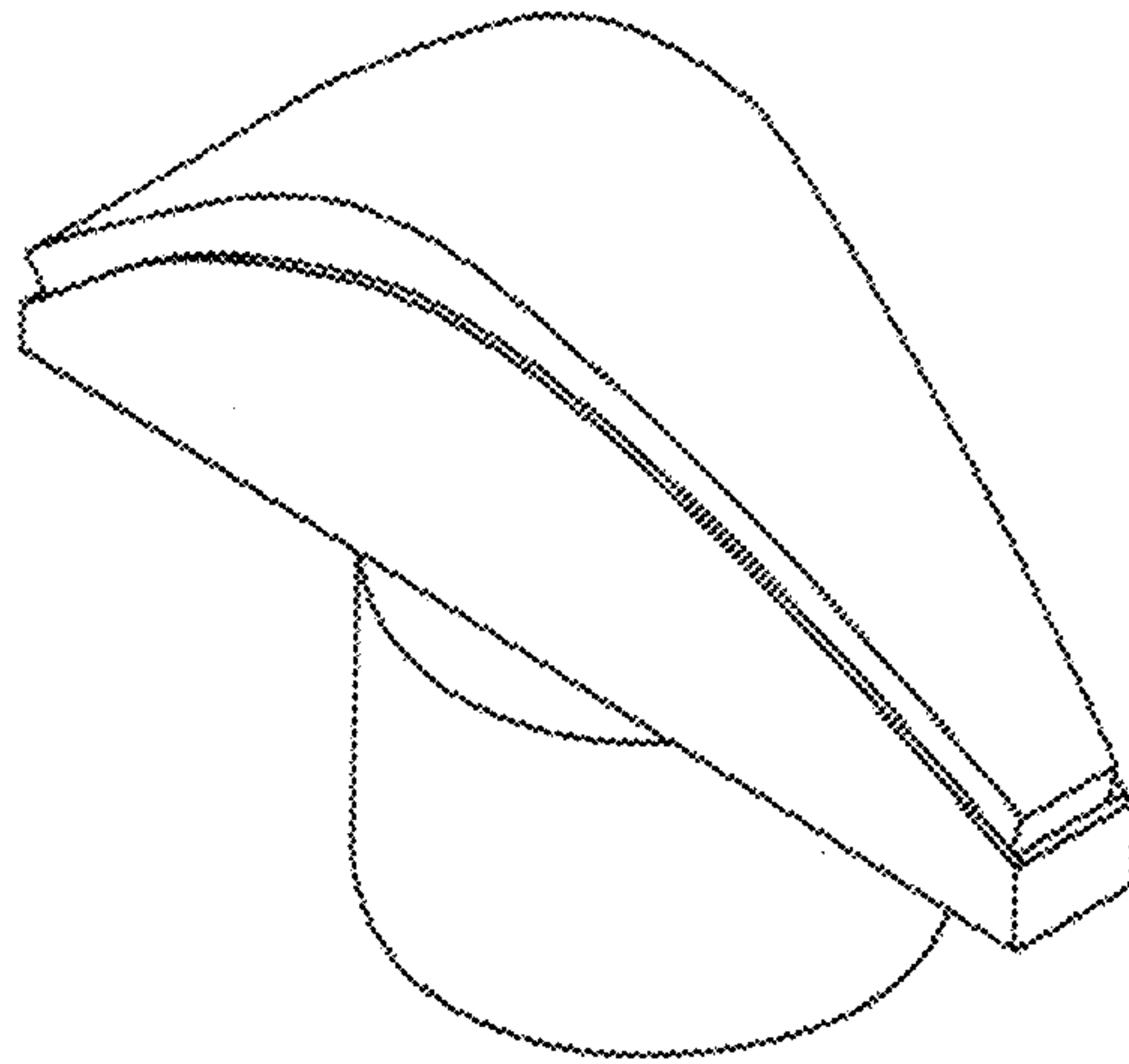


FIG. 1

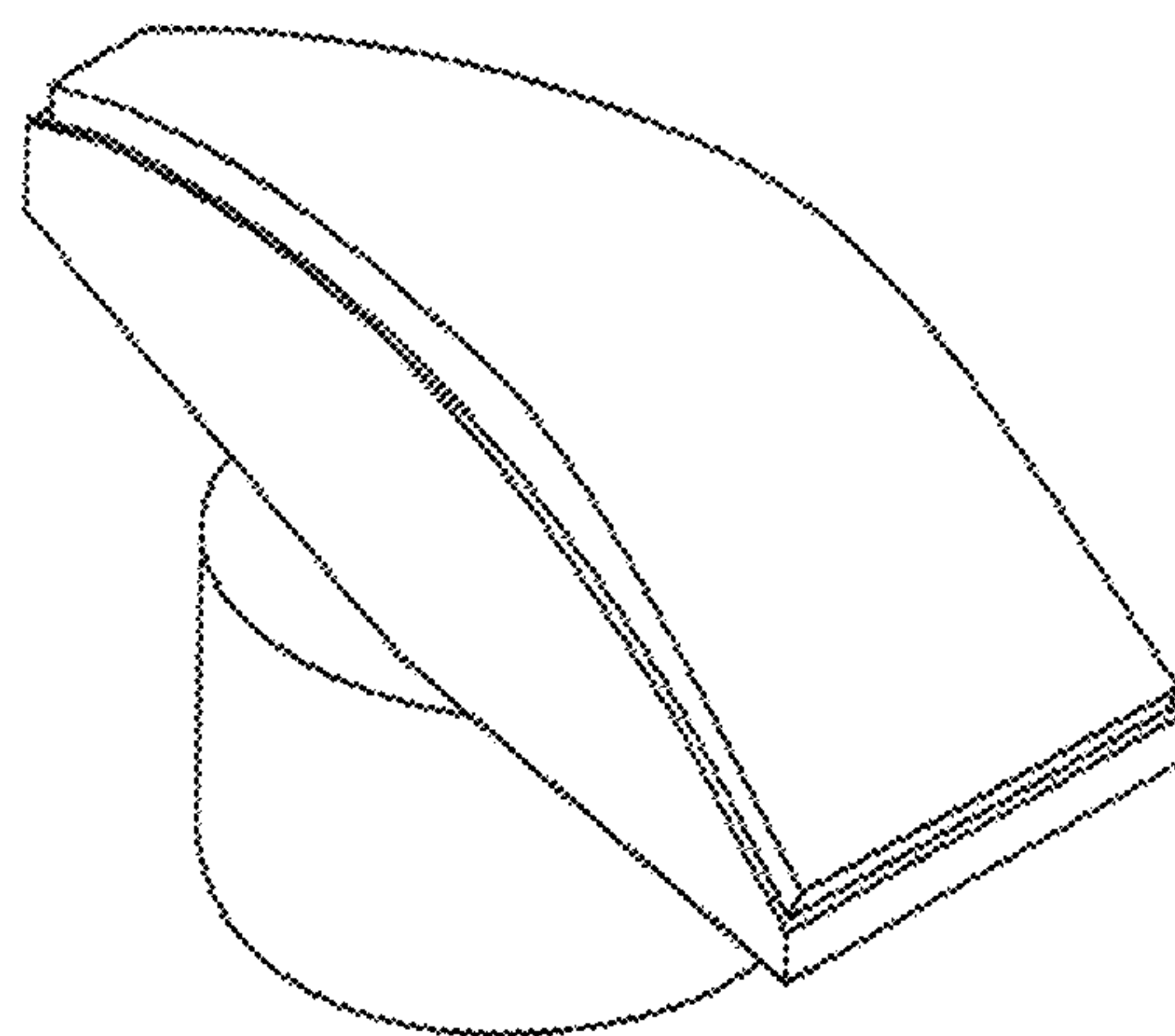


FIG. 2

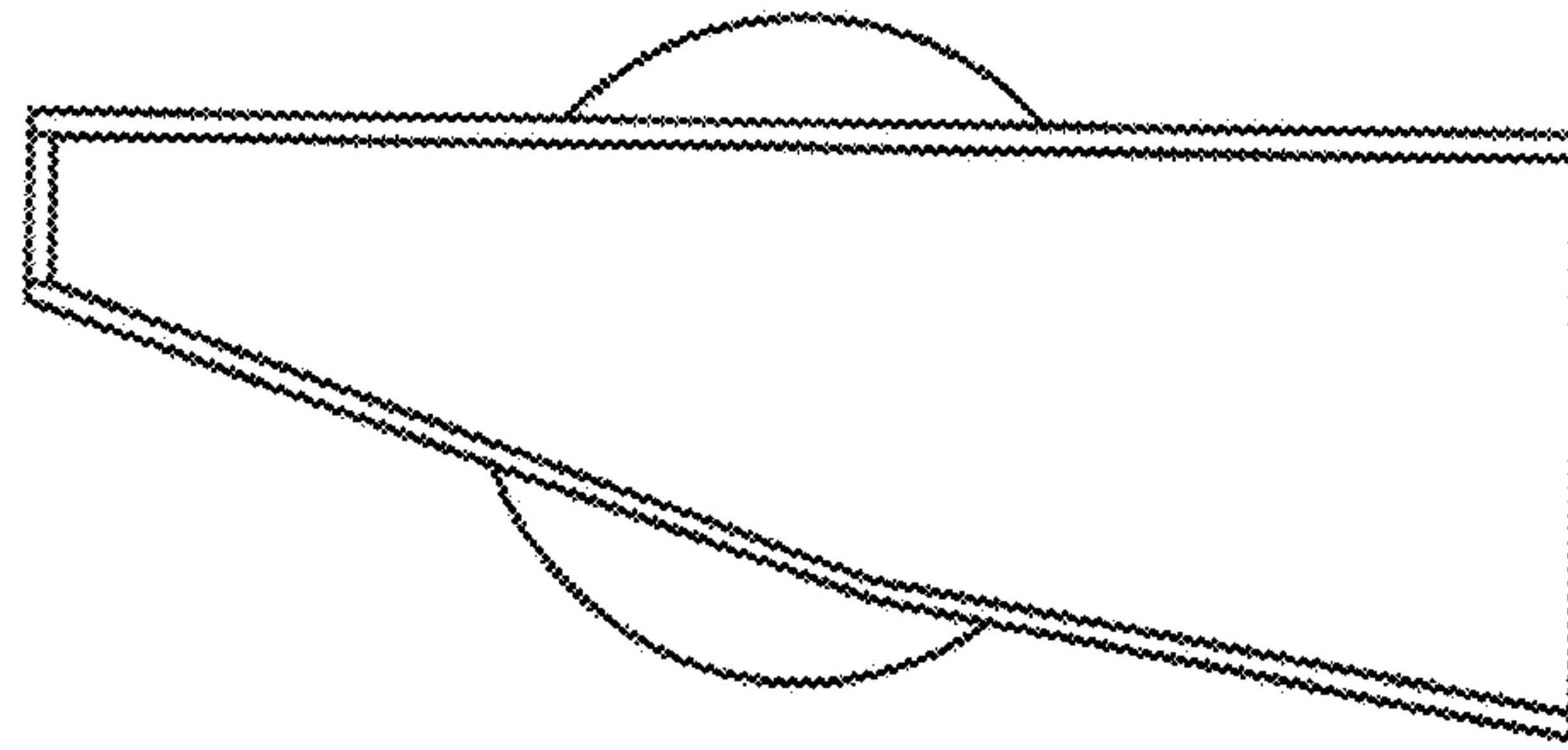


FIG. 3

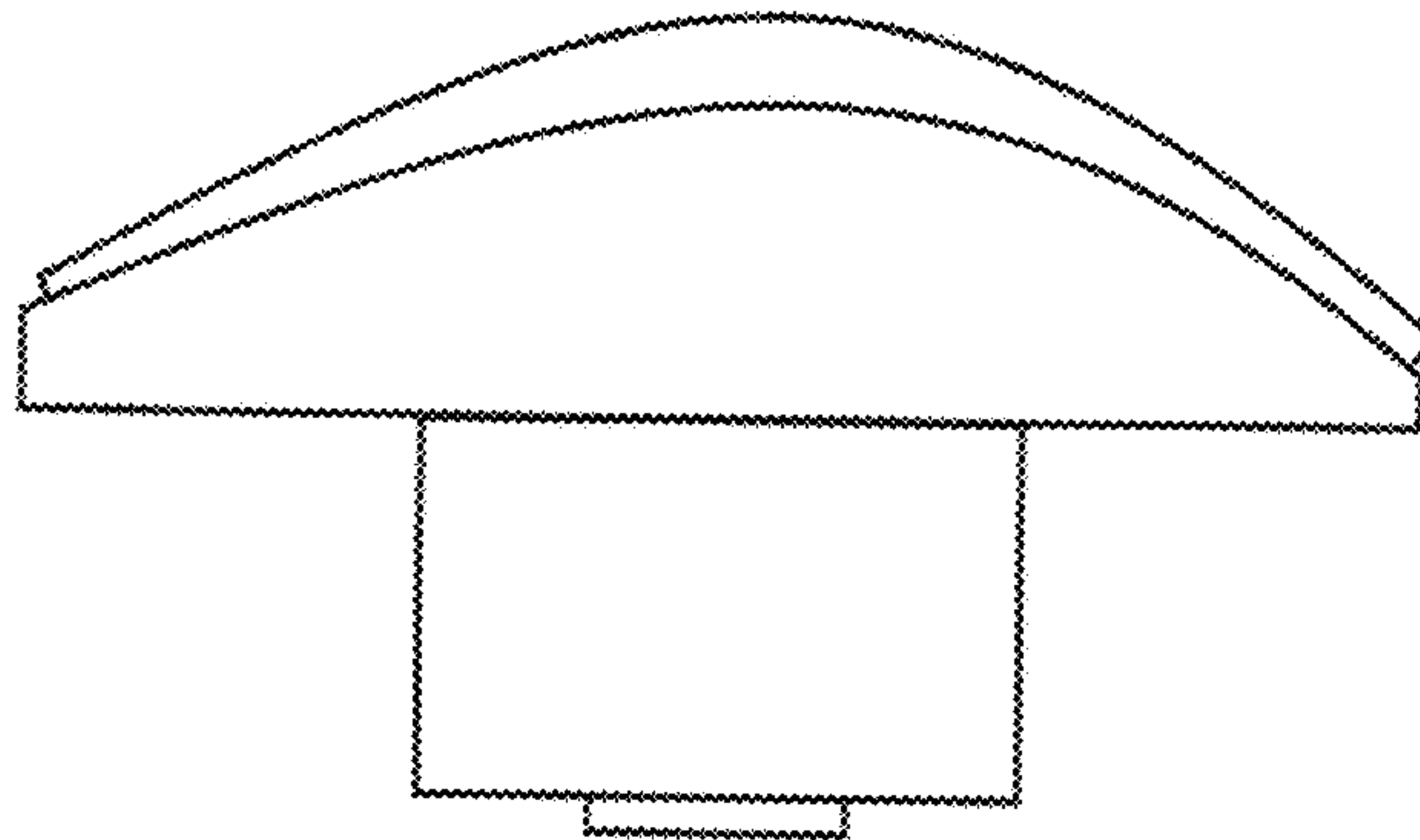


FIG. 4

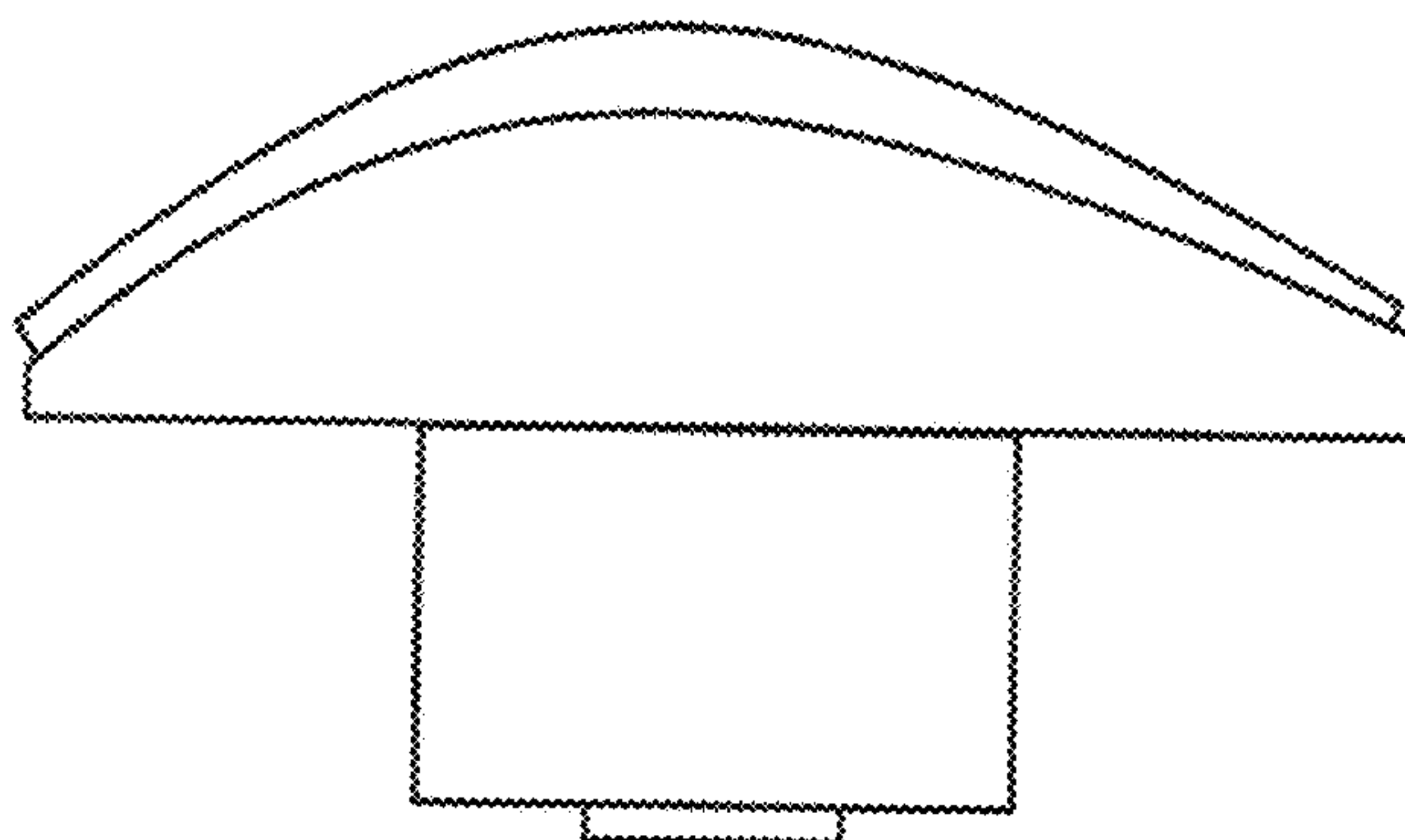


FIG. 5

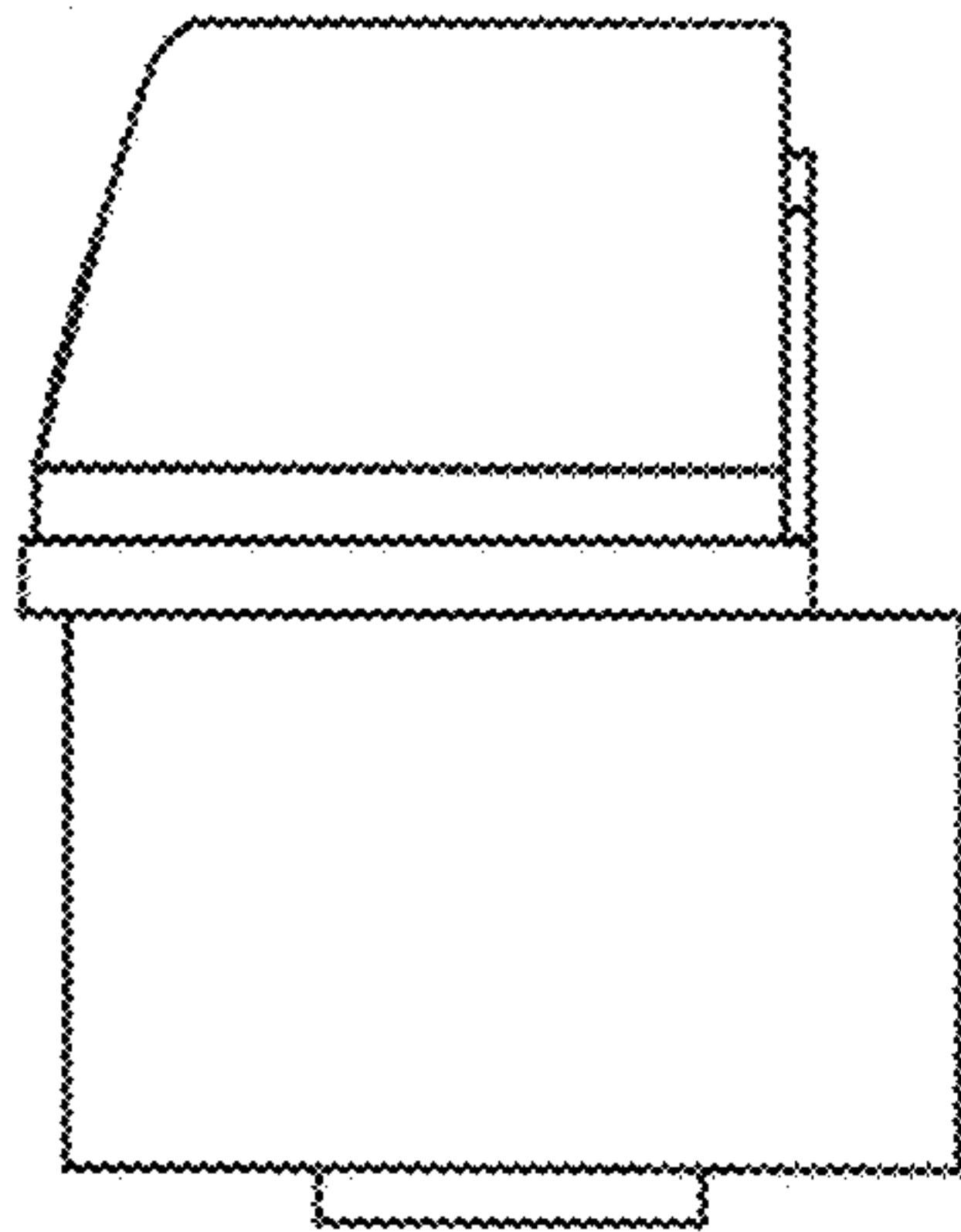


FIG. 6

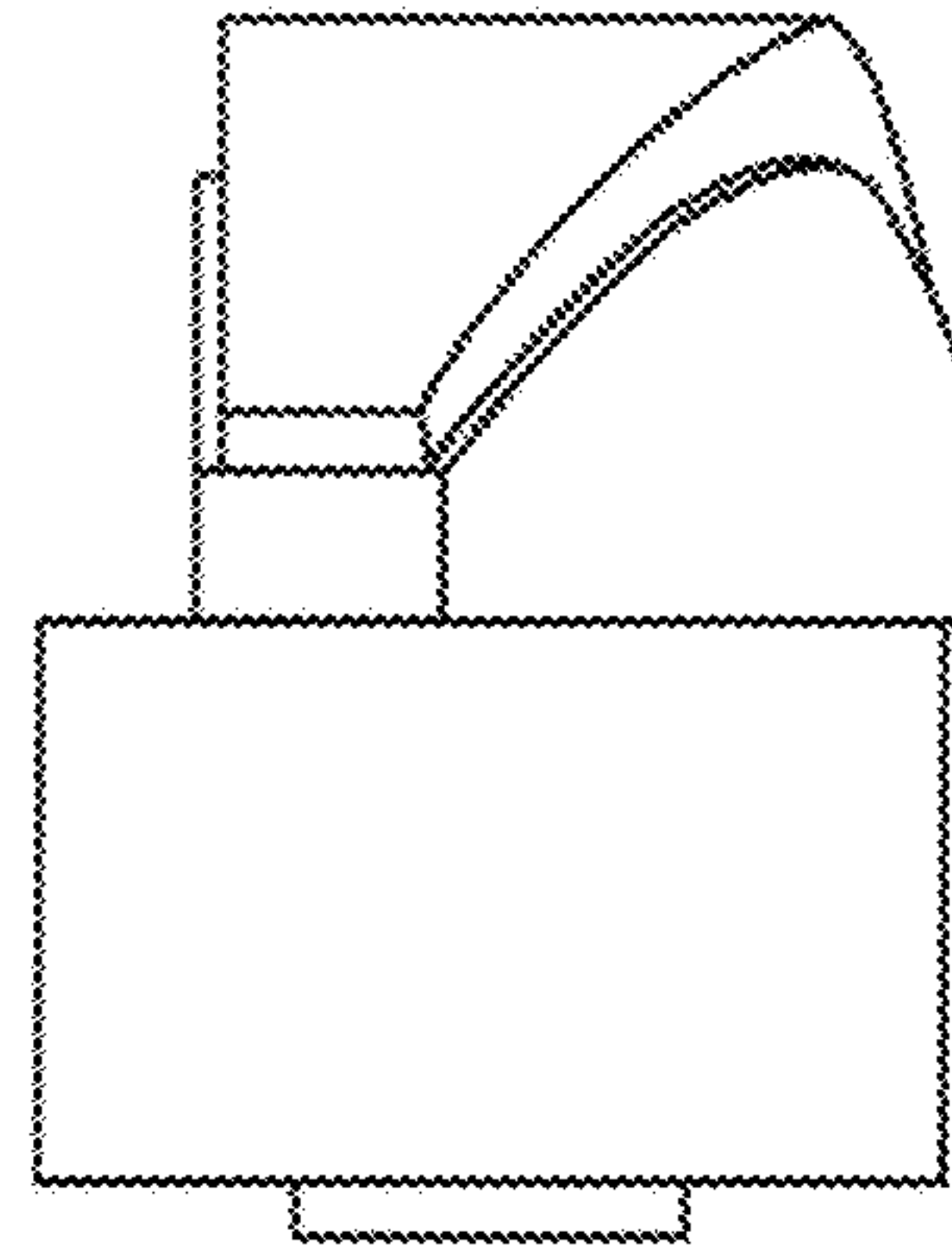


FIG. 7