



US00D829779S

(12) **United States Design Patent**  
**Vuckovic et al.**

(10) **Patent No.:** **US D829,779 S**  
(45) **Date of Patent:** **\*\* Oct. 2, 2018**

- (54) **SAW**
- (71) Applicant: **Nanjing Chervon Industry Co., Ltd.,**  
Nanjing (CN)
- (72) Inventors: **Miroslav Vuckovic,** Skokie, IL (US);  
**Patrick Sean Gallagher,** Arlington  
Heights, IL (US)
- (73) Assignee: **Nanjing Chervon Industry Co., Ltd.,**  
Nanjing (CN)
- (\*\*) Term: **15 Years**
- (21) Appl. No.: **29/562,276**
- (22) Filed: **Apr. 25, 2016**
- (51) **LOC (11) Cl.** ..... **15-03**
- (52) **U.S. Cl.**  
USPC ..... **D15/133**
- (58) **Field of Classification Search**  
USPC ..... D15/124-134, 138-143, 28-29, 9, 17;  
D8/8, 66, 70  
CPC .... B23D 45/006; B23D 45/021; B23D 47/04;  
B23D 47/08; B23D 49/11  
See application file for complete search history.

- 2004/0112190 A1\* 6/2004 Hollis ..... B27B 5/29  
83/13
- 2006/0011037 A1\* 1/2006 Ushiwata ..... B23D 45/044  
83/581
- 2008/0216627 A1\* 9/2008 Taylor ..... B23D 45/048  
83/468.3
- 2009/0301278 A1\* 12/2009 Agan ..... B23D 45/024  
83/471.3

\* cited by examiner

*Primary Examiner* — Ian Simmons  
*Assistant Examiner* — Khawaja Anwar

(74) *Attorney, Agent, or Firm* — Greenberg Traurig, LLP

(57) **CLAIM**

The ornamental design for a saw, as shown and described.

**DESCRIPTION**

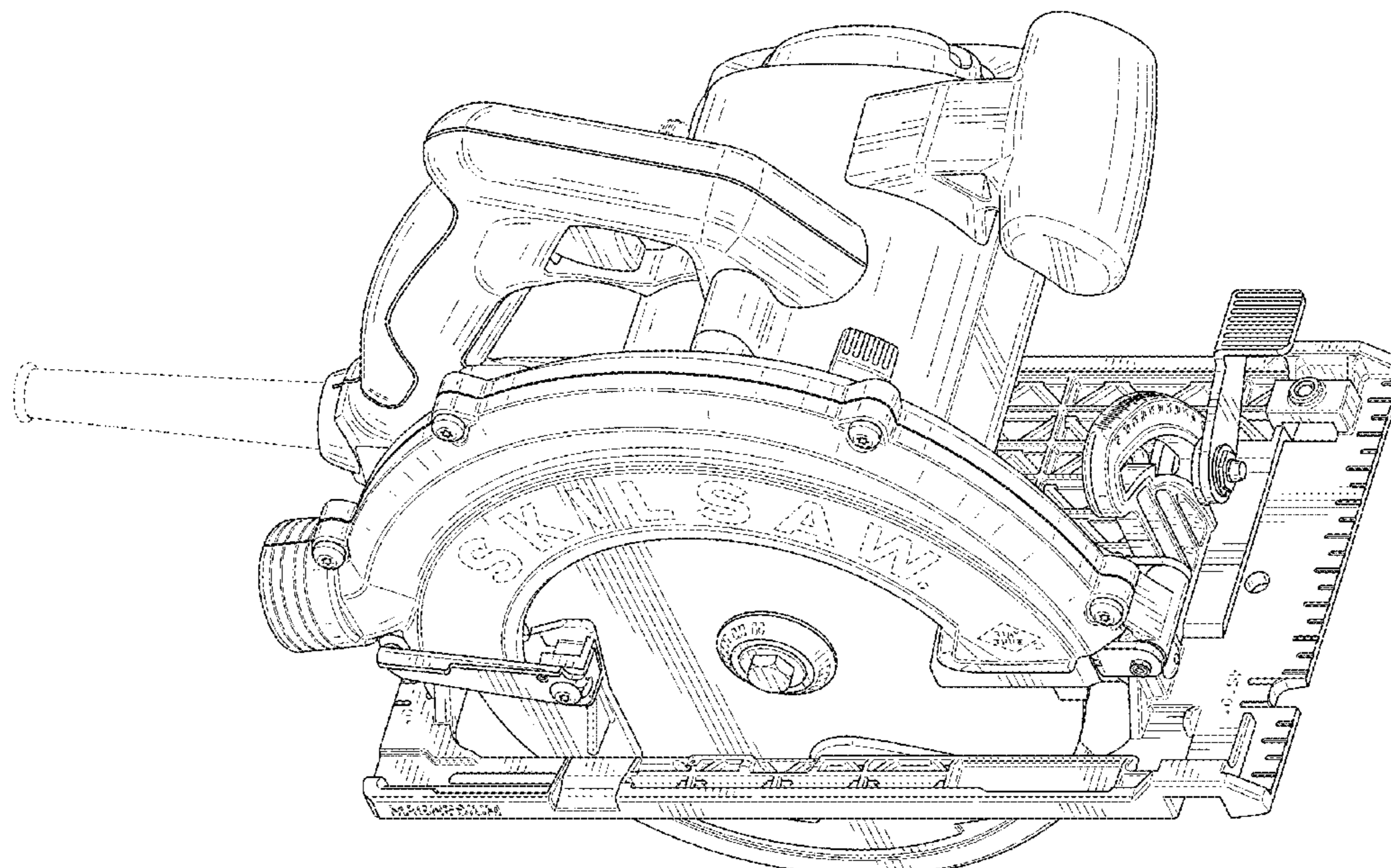
FIG. 1 is a perspective view of a first embodiment of a saw showing our new design;  
 FIG. 2 is a front elevational view showing the design for the saw of FIG. 1;  
 FIG. 3 is a rear elevational view showing the design for the saw of FIG. 1;  
 FIG. 4 is a left side elevational view showing the design for the saw of FIG. 1;  
 FIG. 5 is a right side elevational view showing the design for the saw of FIG. 1;  
 FIG. 6 is a top plan view showing the design for the saw of FIG. 1; and,  
 FIG. 7 is a bottom plan view showing the design for the saw of FIG. 1.  
 The broken lines shown in the drawings illustrate portions of the saw that form no part of the claimed design.

**1 Claim, 7 Drawing Sheets**

(56) **References Cited**

U.S. PATENT DOCUMENTS

D441,771 S *	5/2001	Bean	.....	D15/133
D513,271 S *	12/2005	Ozawa	.....	D15/133
D566,142 S *	4/2008	Gavins	.....	D15/133
D608,375 S *	1/2010	Kokawa	.....	D15/133
D642,208 S *	7/2011	Okuda	.....	D15/133
D757,830 S *	5/2016	Elder	.....	D15/133
D761,337 S *	7/2016	Eiswerth	.....	D15/133



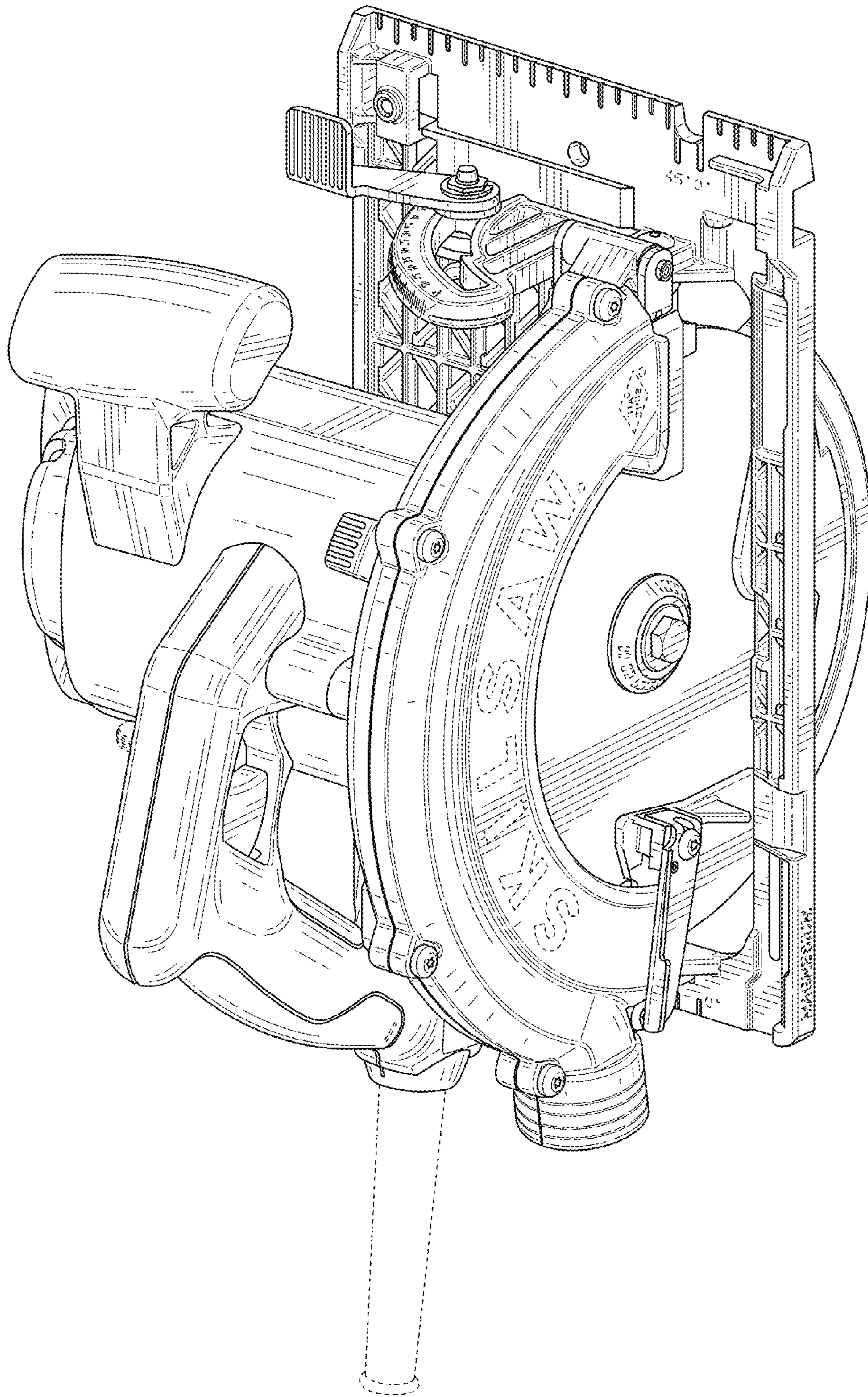


FIG. 1

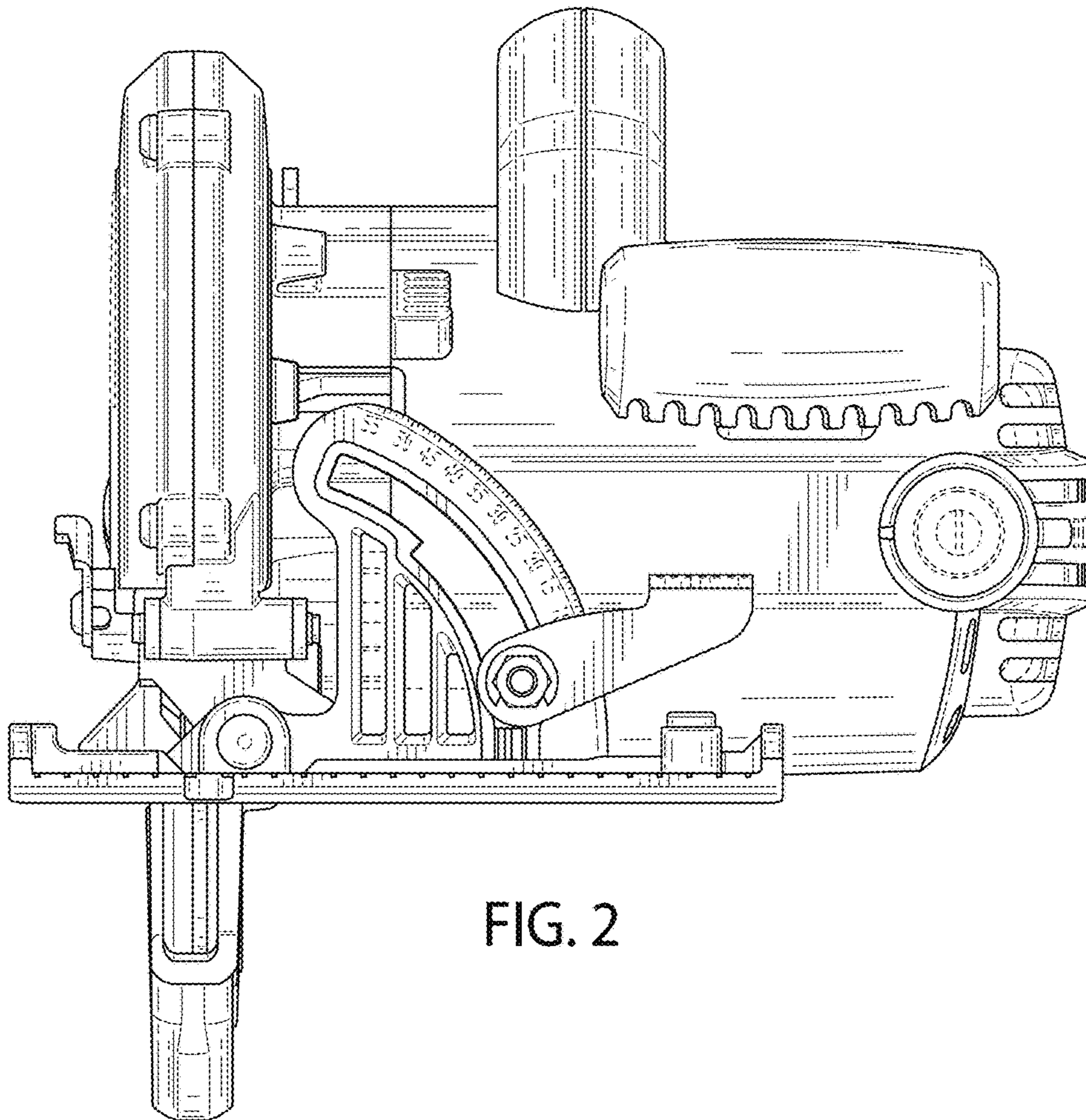


FIG. 2

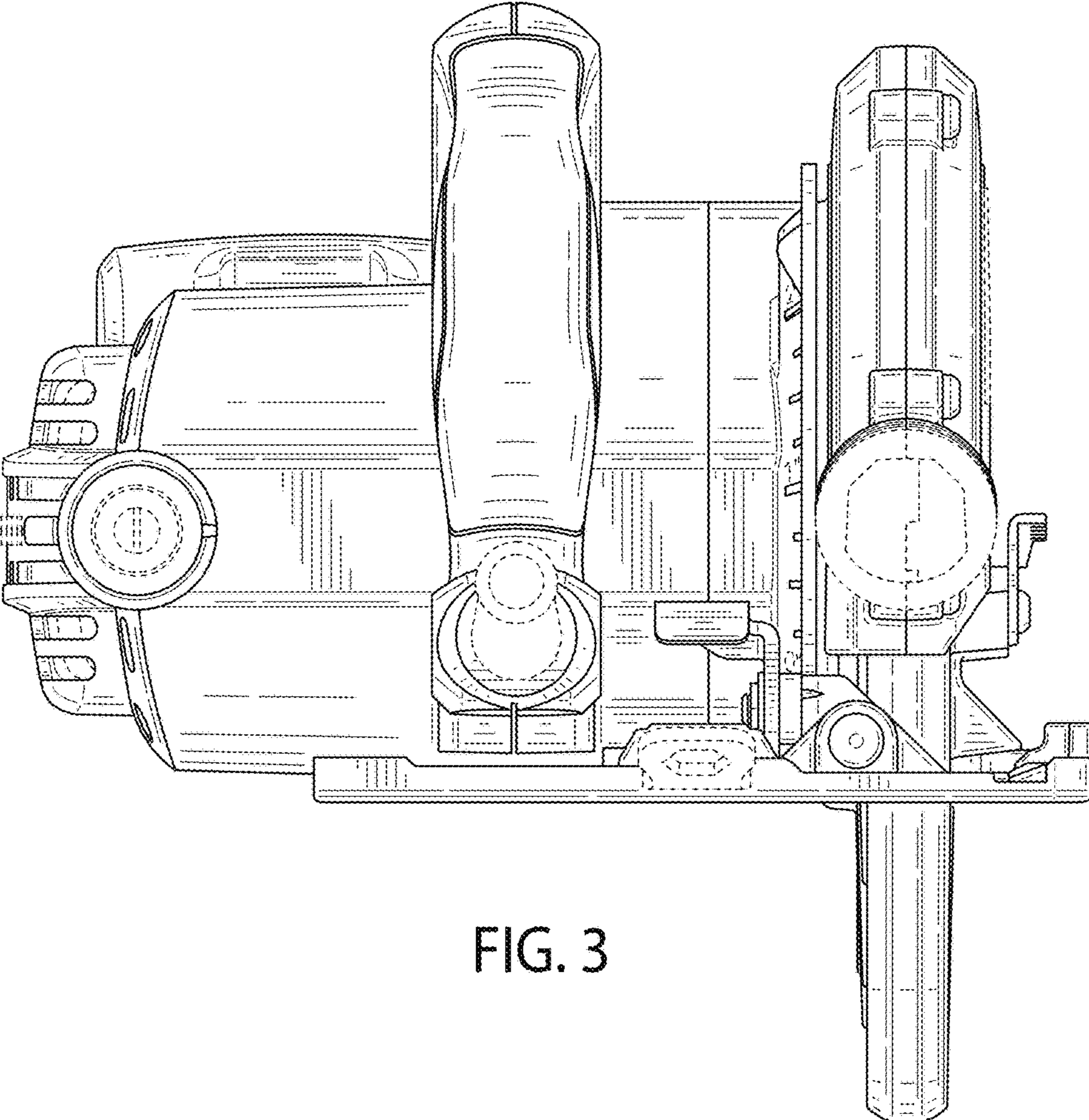


FIG. 3

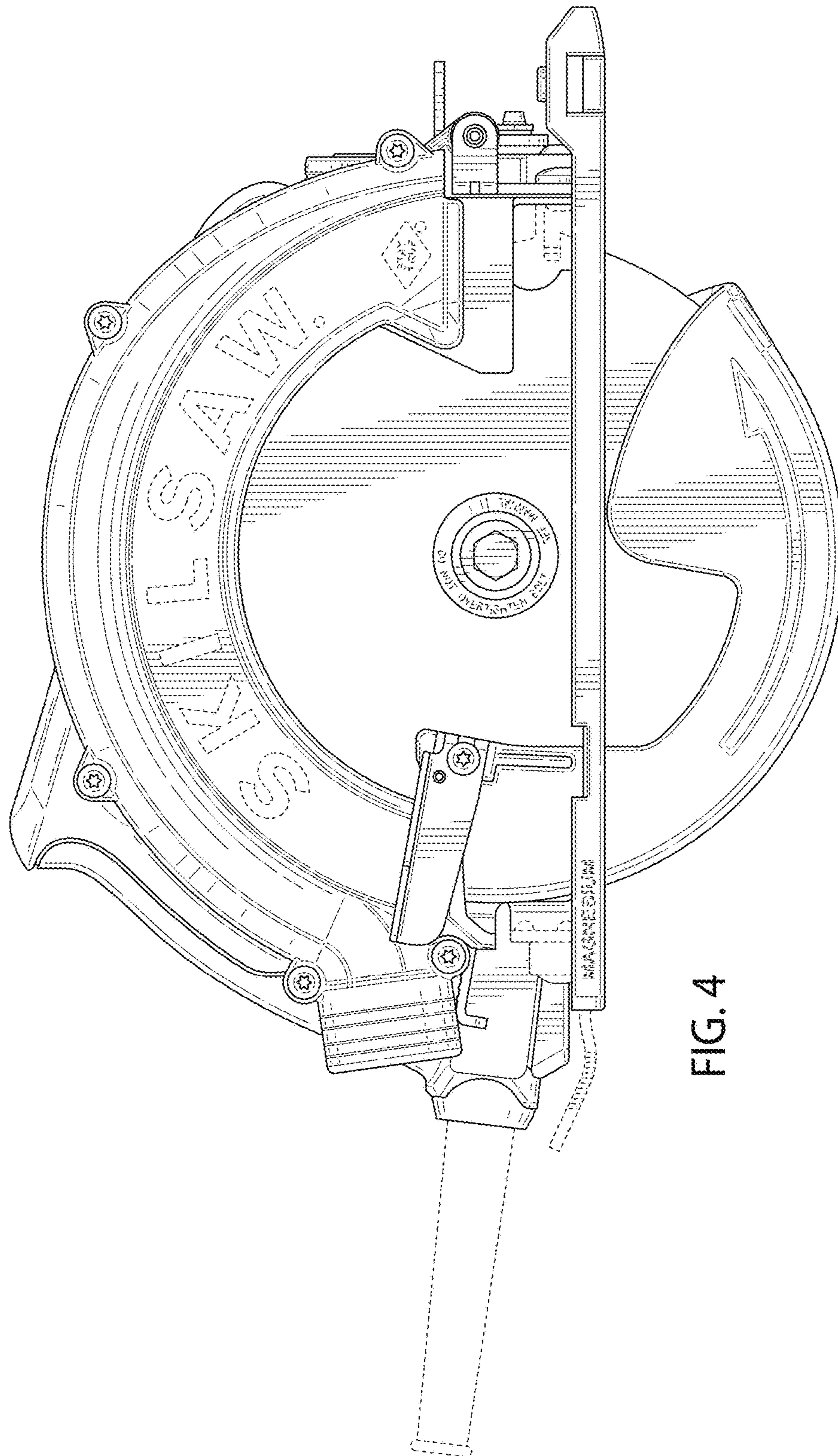


FIG. 4

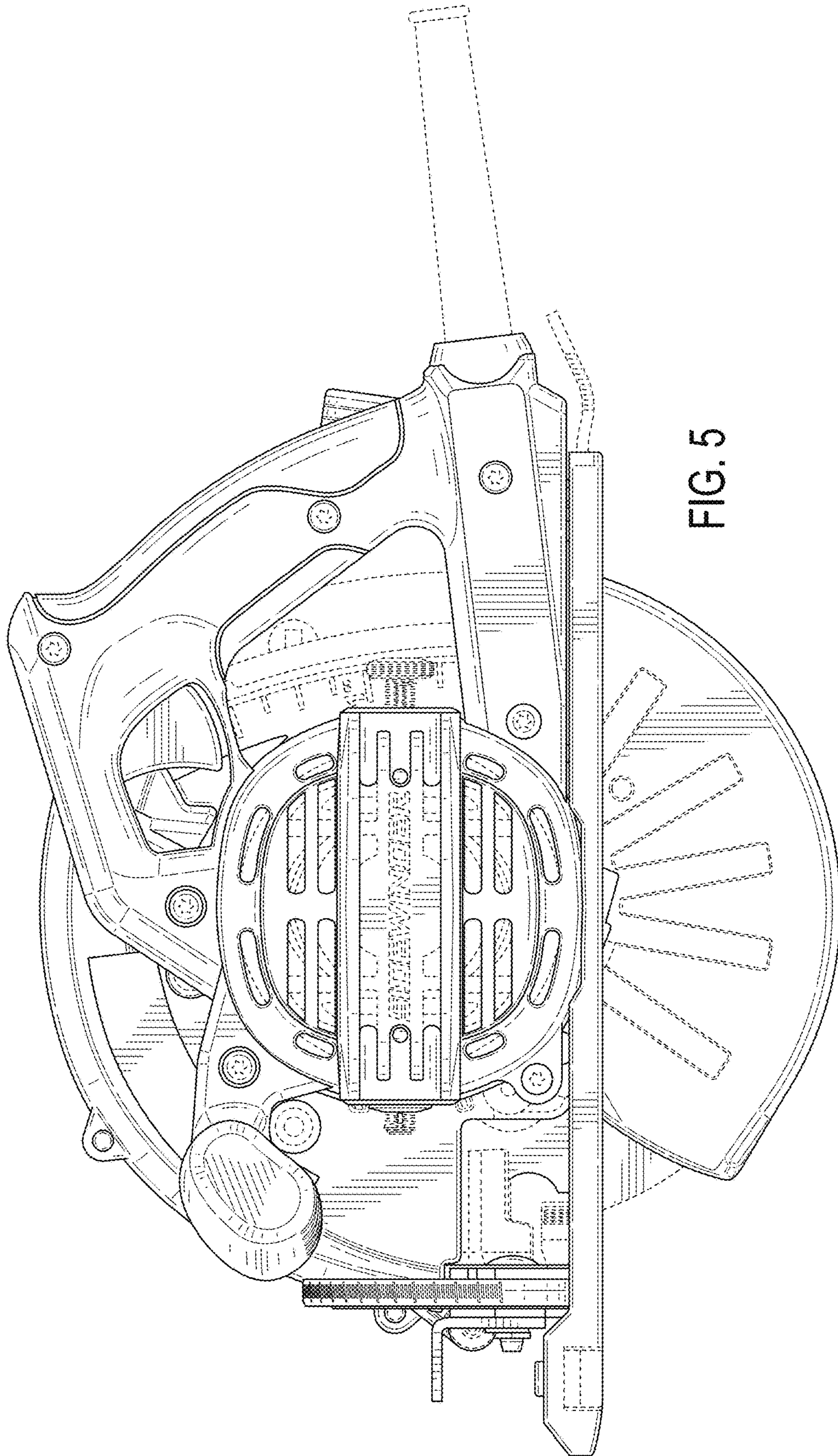
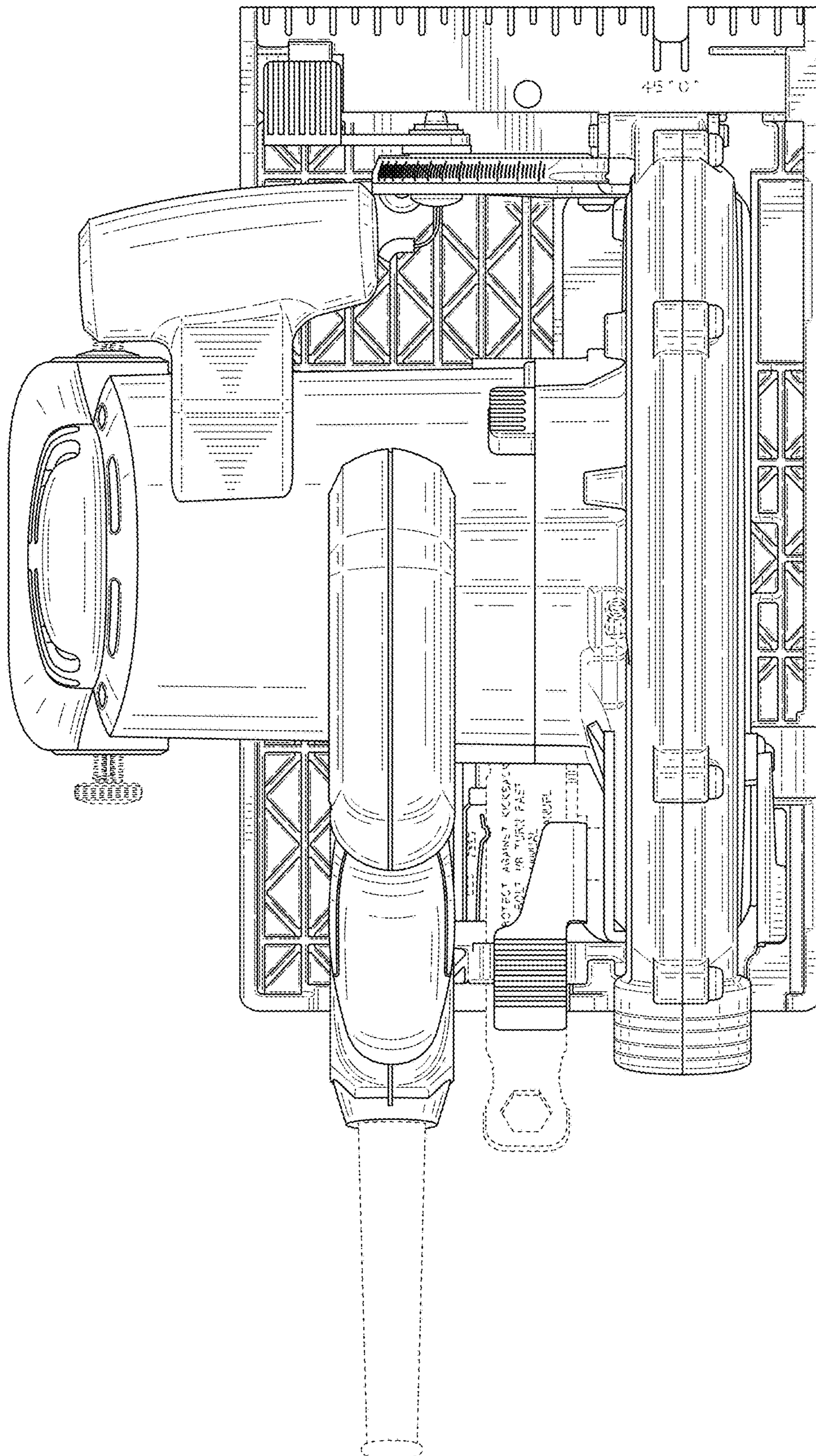


FIG. 5



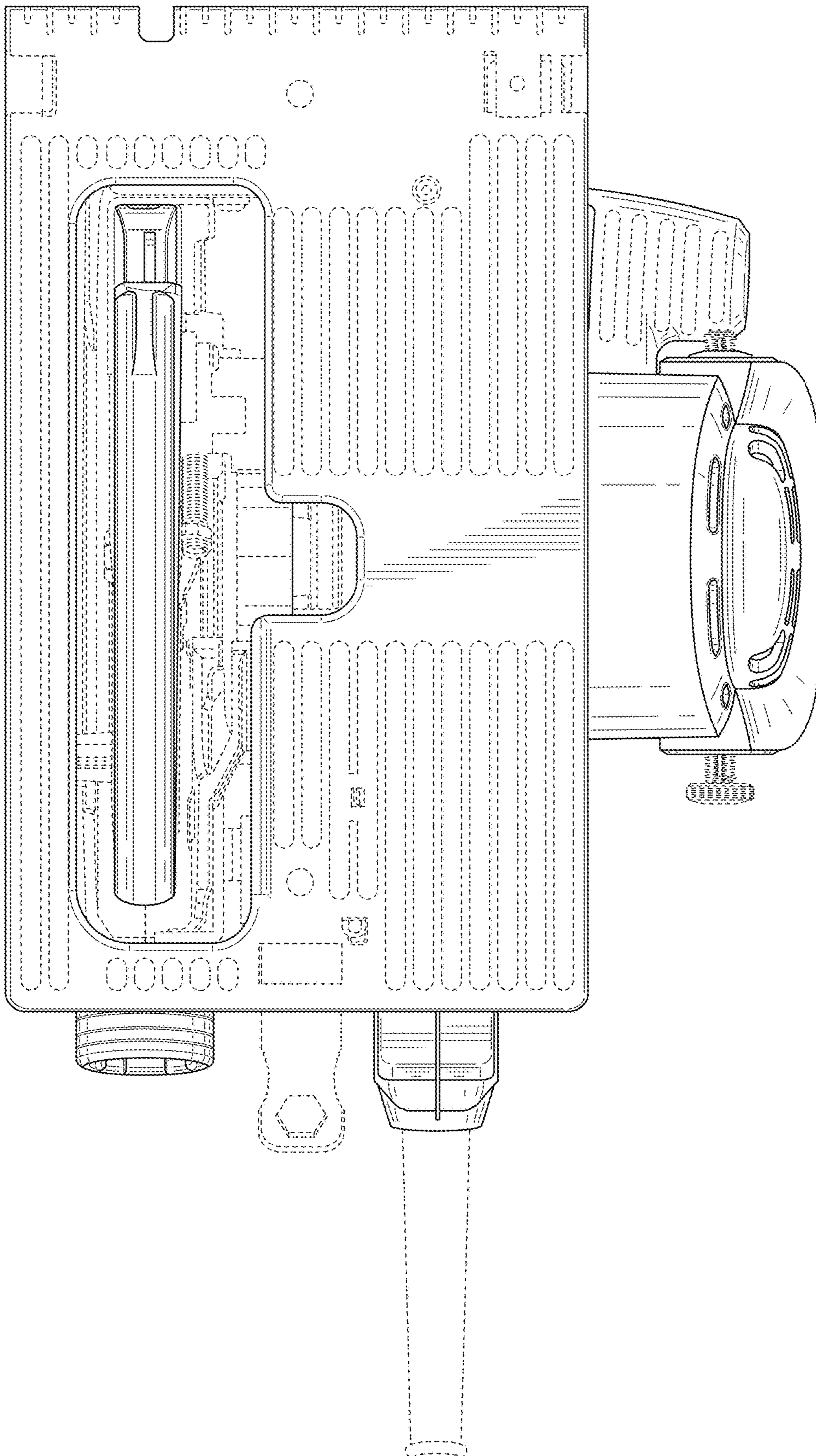


FIG. 7