



US00D829776S

(12) **United States Design Patent**
Kim et al.

(10) **Patent No.:** **US D829,776 S**

(45) **Date of Patent:** **** Oct. 2, 2018**

(54) **REFRIGERATOR**

- (71) Applicant: **Samsung Electronics Co., Ltd.**, Suwon-si (KR)
- (72) Inventors: **Jinwook Kim**, Yongin-si (KR); **Jaehyung Kim**, Gwangju-si (KR); **Giha Woo**, Seoul (KR); **Seonghun Ahn**, Incheon (KR)
- (73) Assignee: **SAMSUNG ELECTRONICS CO., LTD.**, Suwon-si (KR)

(**) Term: **15 Years**

(21) Appl. No.: **29/605,160**

(22) Filed: **May 24, 2017**

(30) **Foreign Application Priority Data**

Nov. 24, 2016 (KR) 30-2016-0056695

(51) **LOC (11) Cl.** **15-07**

(52) **U.S. Cl.**
USPC **D15/91**

(58) **Field of Classification Search**
USPC D15/79-91
CPC F25D 29/00; F25D 11/003; F25D 2700/08;
F25D 11/02; F25D 11/022; F25D 13/06;
F25D 19/006; F25D 2201/14; F25D
(Continued)

(56) **References Cited**

U.S. PATENT DOCUMENTS

- D576,184 S * 9/2008 Crookshanks D15/91
 - D580,460 S * 11/2008 Crookshanks D15/91
- (Continued)

FOREIGN PATENT DOCUMENTS

- EM 001120489-0006 5/2009
 - EM 001120489-0008 5/2009
- (Continued)

OTHER PUBLICATIONS

Unknown, "LG Signature", published on the internet at [social.lge.co.kr: <http://social.lge.co.kr/lg_story/the_blog/product/lg-signature_refrigerator/>](http://social.lge.co.kr/lg_story/the_blog/product/lg-signature_refrigerator/) (Last accessed May 3, 2017).

Primary Examiner — Ian Simmons
Assistant Examiner — Khawaja Anwar
(74) *Attorney, Agent, or Firm* — McAndrews Held & Malloy, Ltd.

(57) **CLAIM**

The ornamental design for a refrigerator, as shown and described.

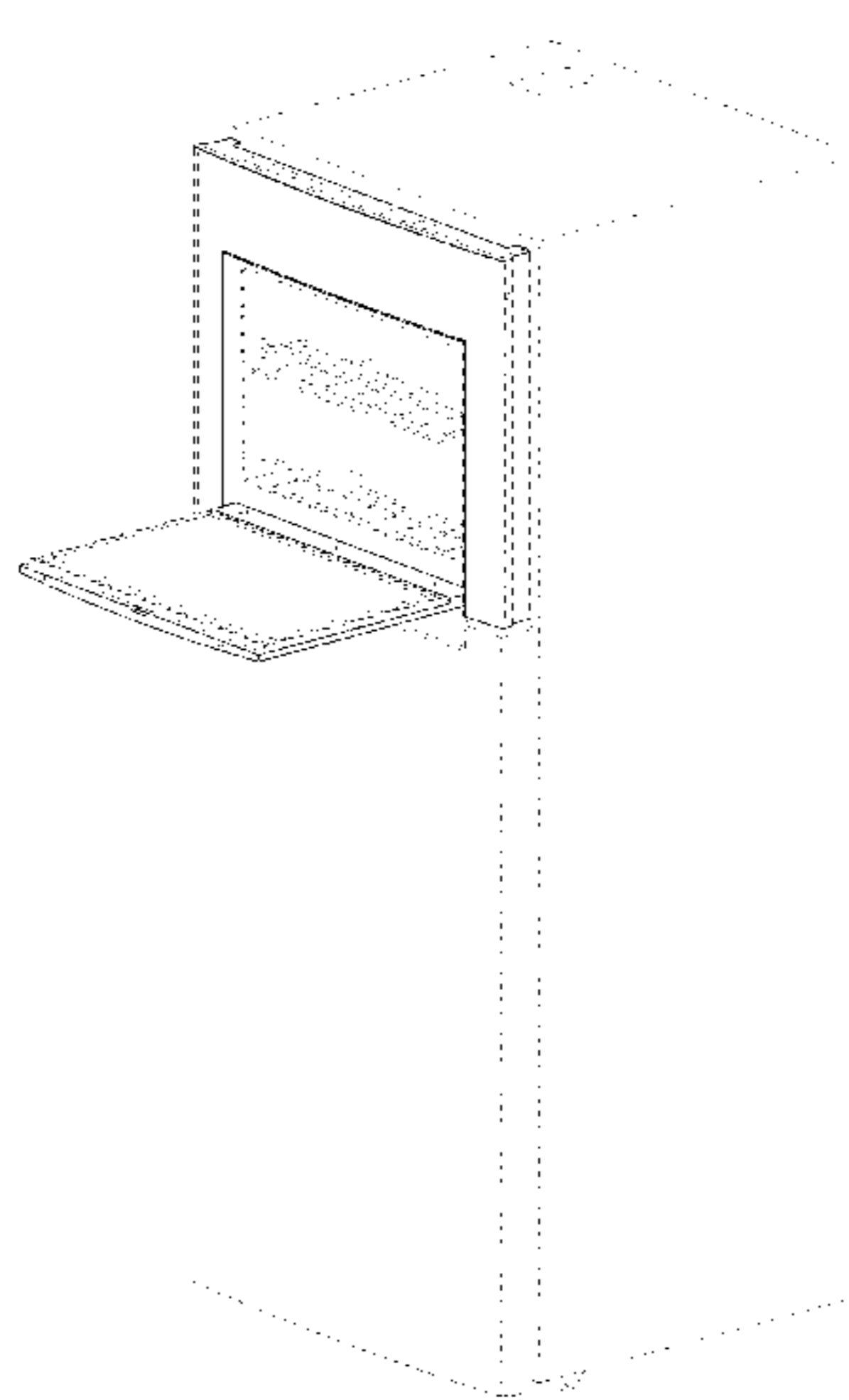
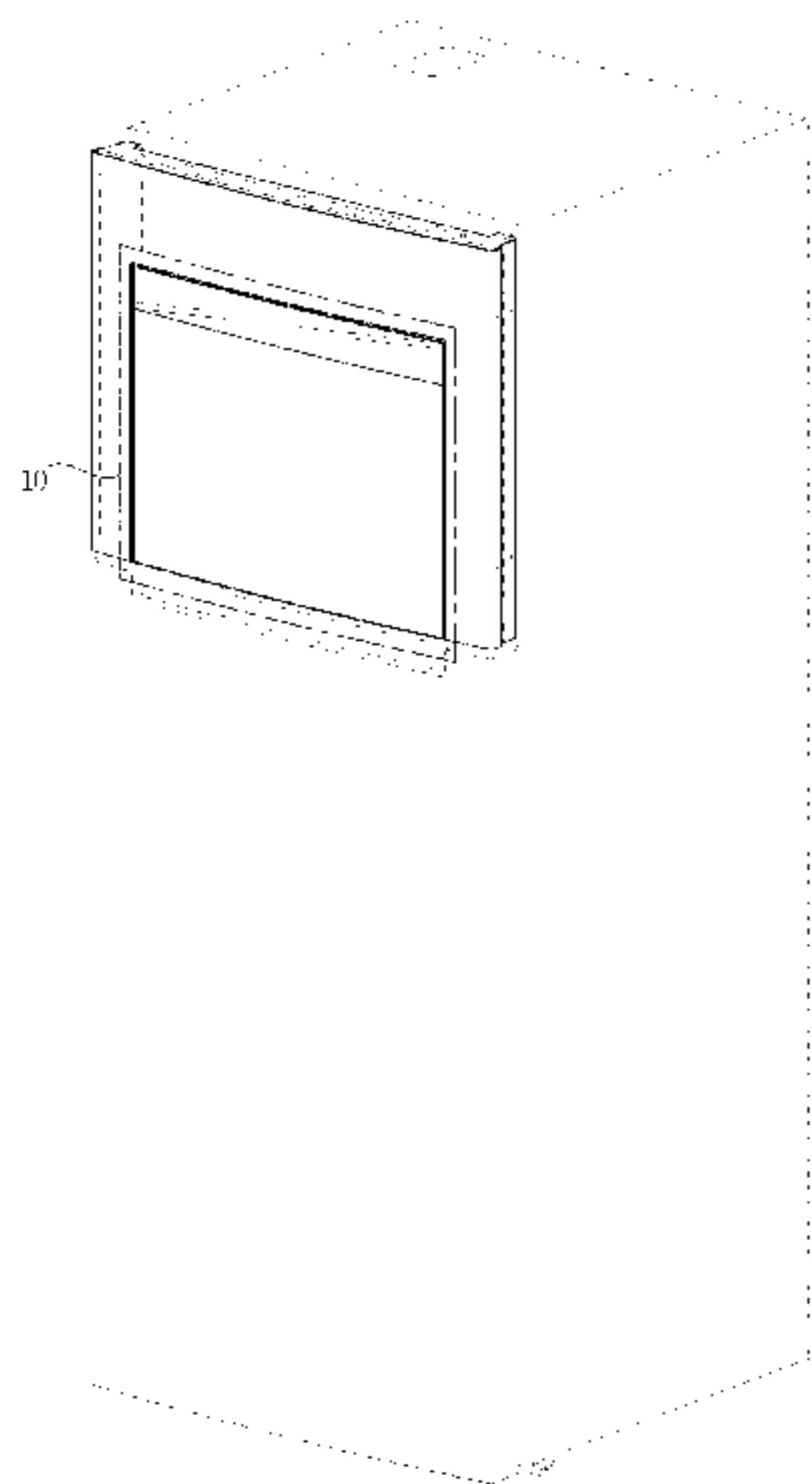
DESCRIPTION

FIG. 1 is a front perspective view of a refrigerator showing our new design;
 FIG. 2 is a front view thereof;
 FIG. 3 is a rear view thereof;
 FIG. 4 is a left-side view thereof;
 FIG. 5 is a right-side view thereof;
 FIG. 6 is a top view thereof;
 FIG. 7 is a bottom view thereof;
 FIG. 8 is an enlarged view of the claimed portion of FIG. 1;
 FIG. 9 is a front perspective view thereof showing our new design in an open configuration;
 FIG. 10 is an enlarged view of the encircled portion 10 of FIG. 1; and,
 FIG. 11 is an enlarged view of the encircled portion 11 of FIG. 2.

The dashed broken lines in the figures depict environment and portions of the refrigerator that form no part of the claimed design.

The dot-dash broken lines in the figures encircling enlarged portions of the design form no part of the claimed design.

1 Claim, 11 Drawing Sheets



(58) **Field of Classification Search**

CPC 2323/00261; F25D 2323/00262; F25D
2323/00272; F25D 2400/361; F25D
2500/06; F25D 2700/02; F25D 2700/12;
F25D 29/005; F25D 29/008; F25D
31/002

See application file for complete search history.

(56) **References Cited**

U.S. PATENT DOCUMENTS

D650,399 S * 12/2011 Kim D15/91
D755,007 S * 5/2016 Lee D7/405
D758,461 S * 6/2016 Lee D15/91
D771,161 S * 11/2016 Park D15/91
D774,355 S * 12/2016 Roberson D7/406
D778,671 S * 2/2017 Suh D7/351
D782,871 S * 4/2017 Funnell, II D7/405

FOREIGN PATENT DOCUMENTS

EM 001768789-0001 10/2010
JP 1156402 10/2002

* cited by examiner

FIG. 1

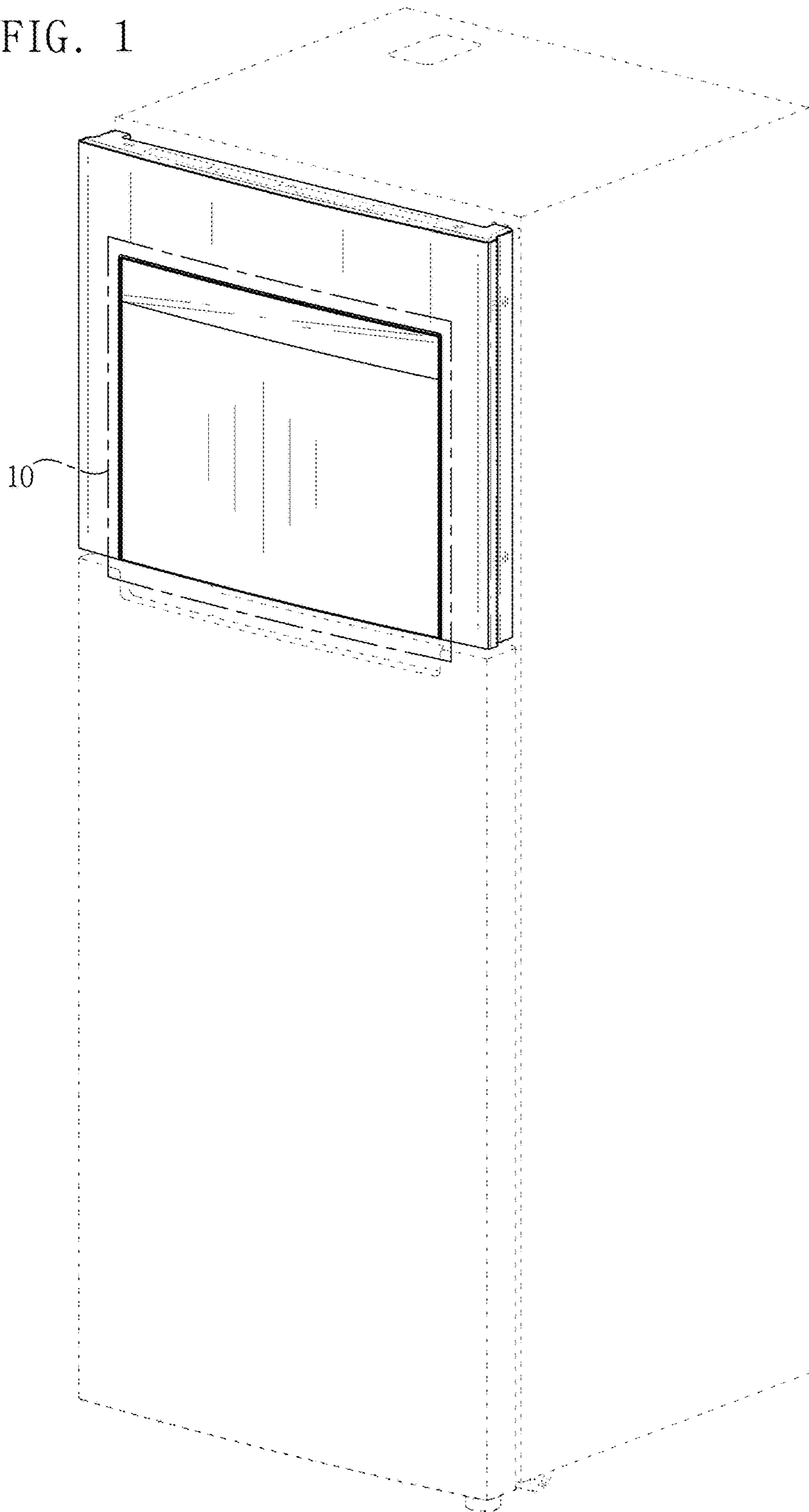


FIG. 2

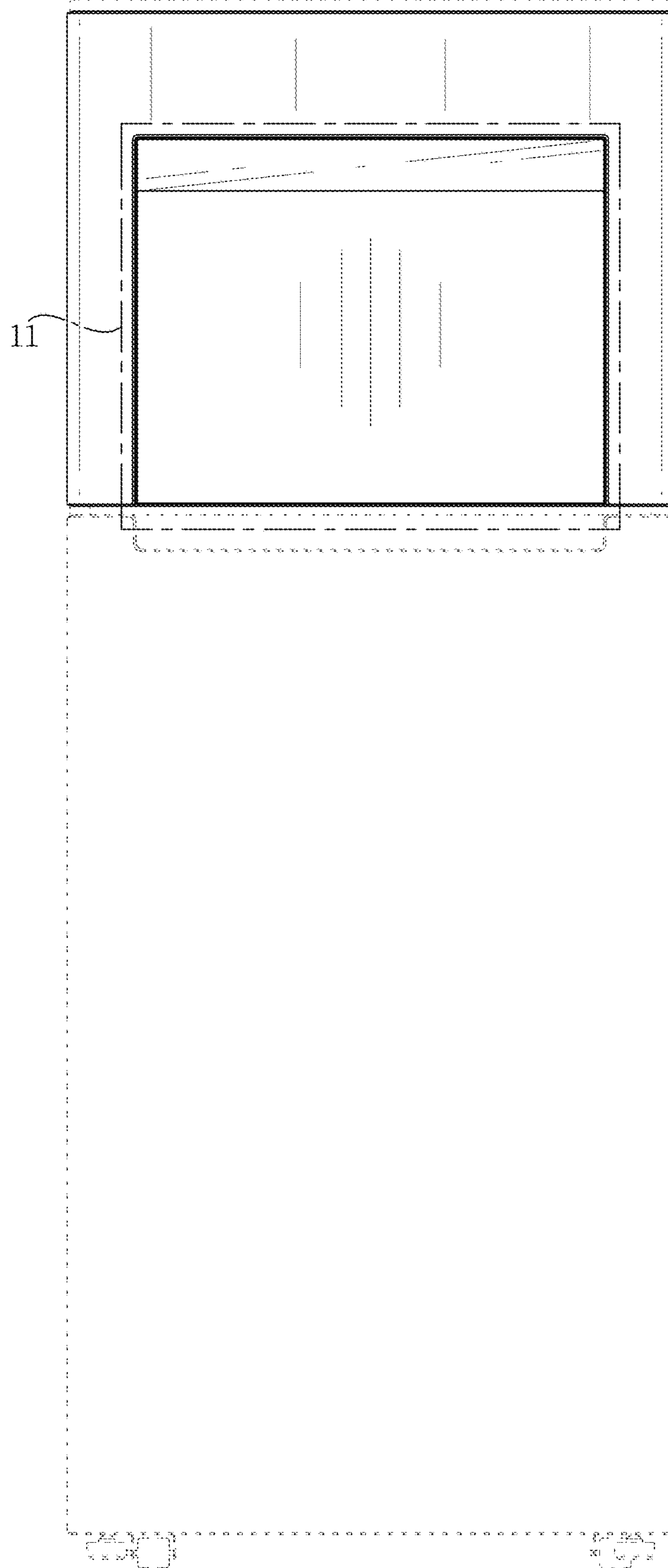


FIG. 3

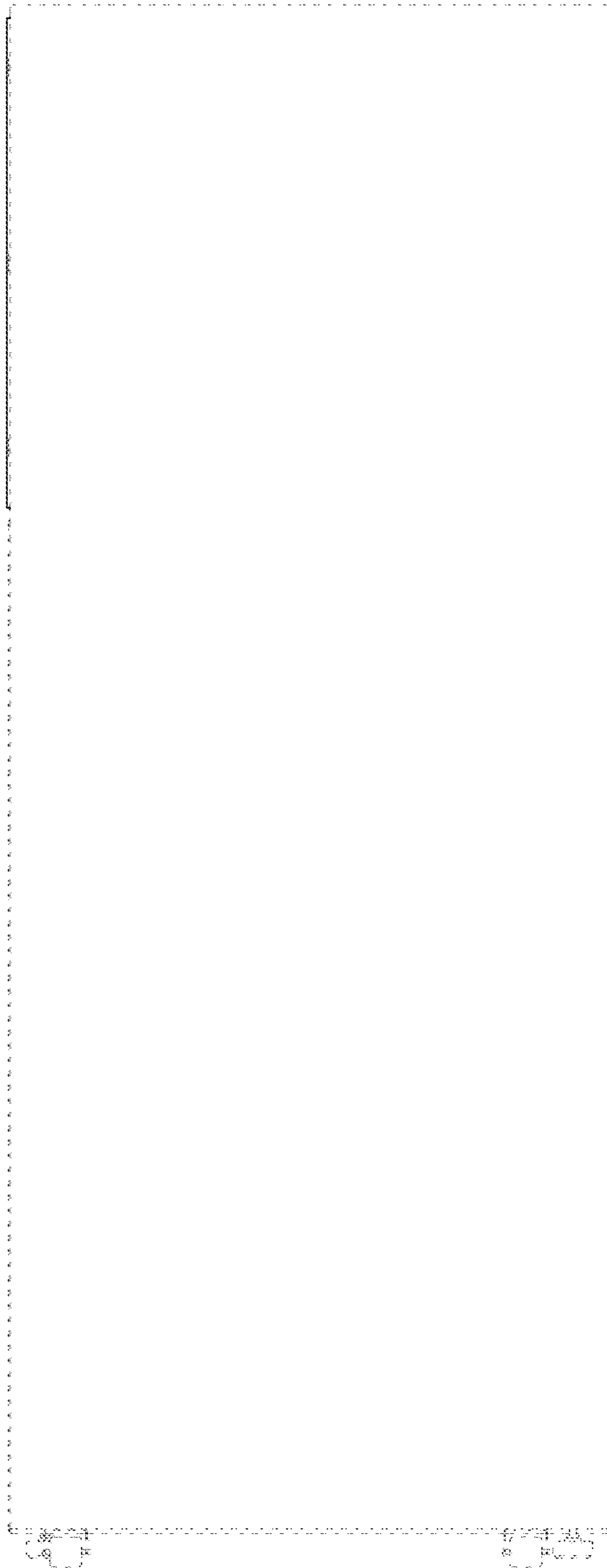


FIG. 4

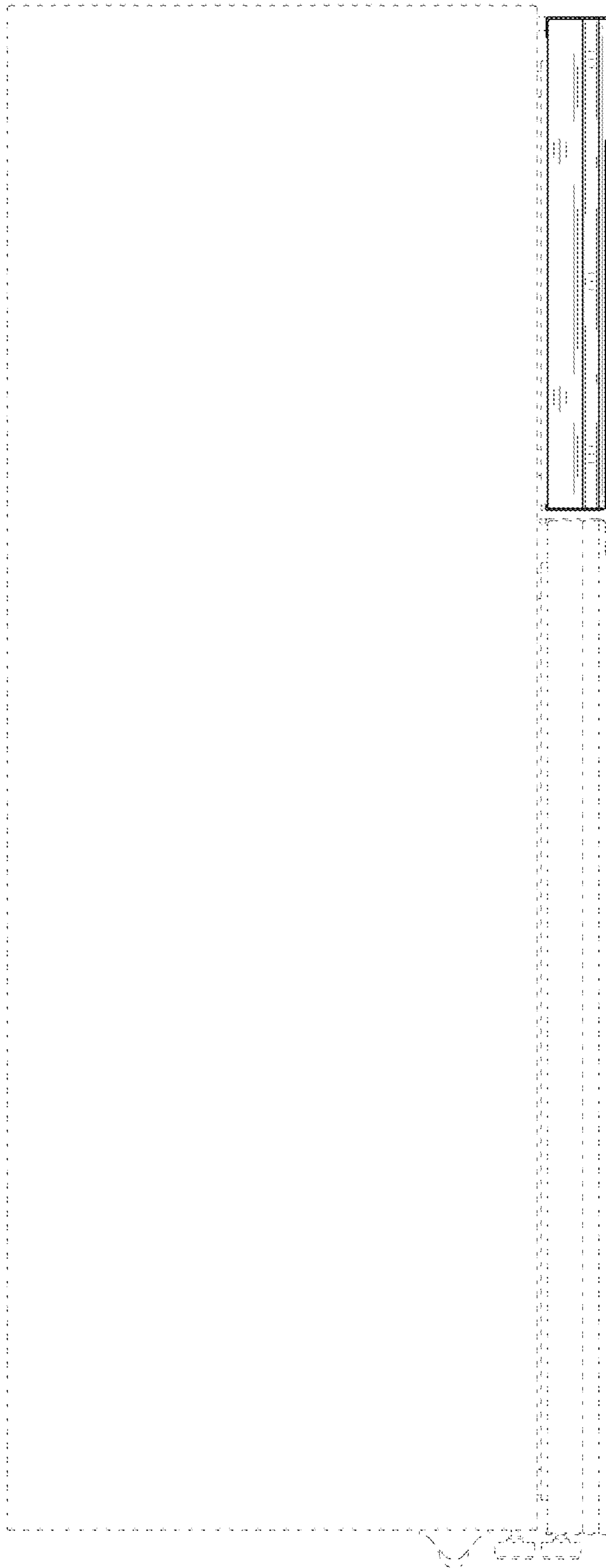


FIG. 5

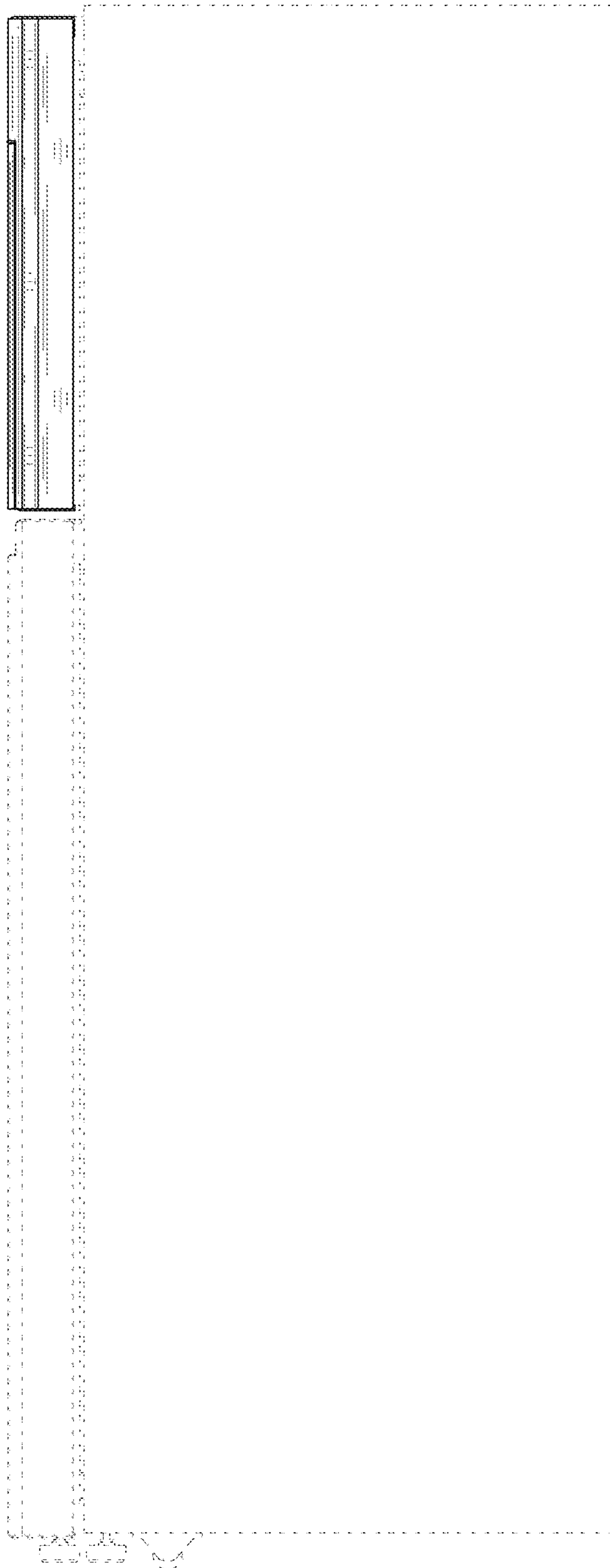


FIG. 6

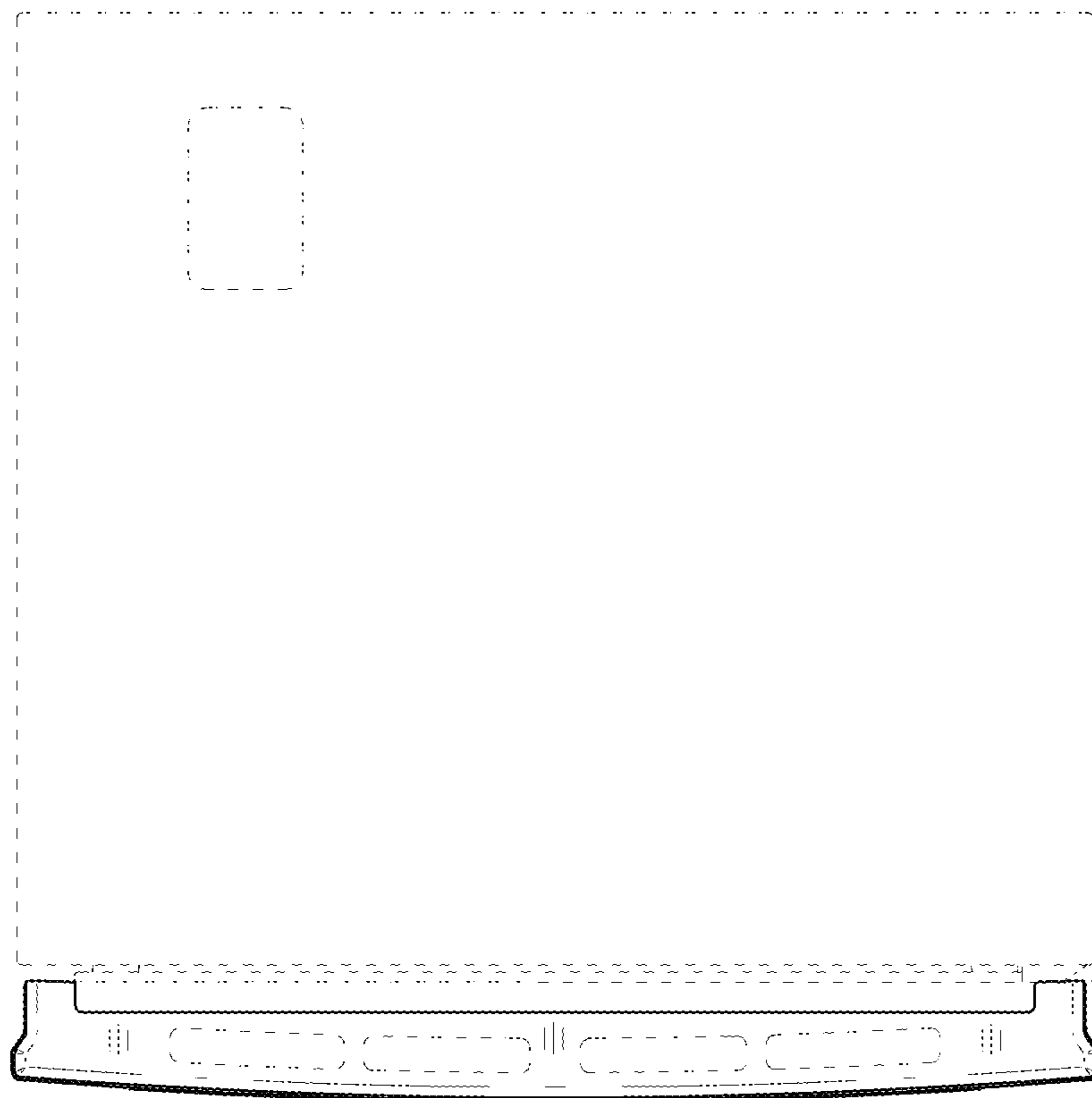


FIG. 7

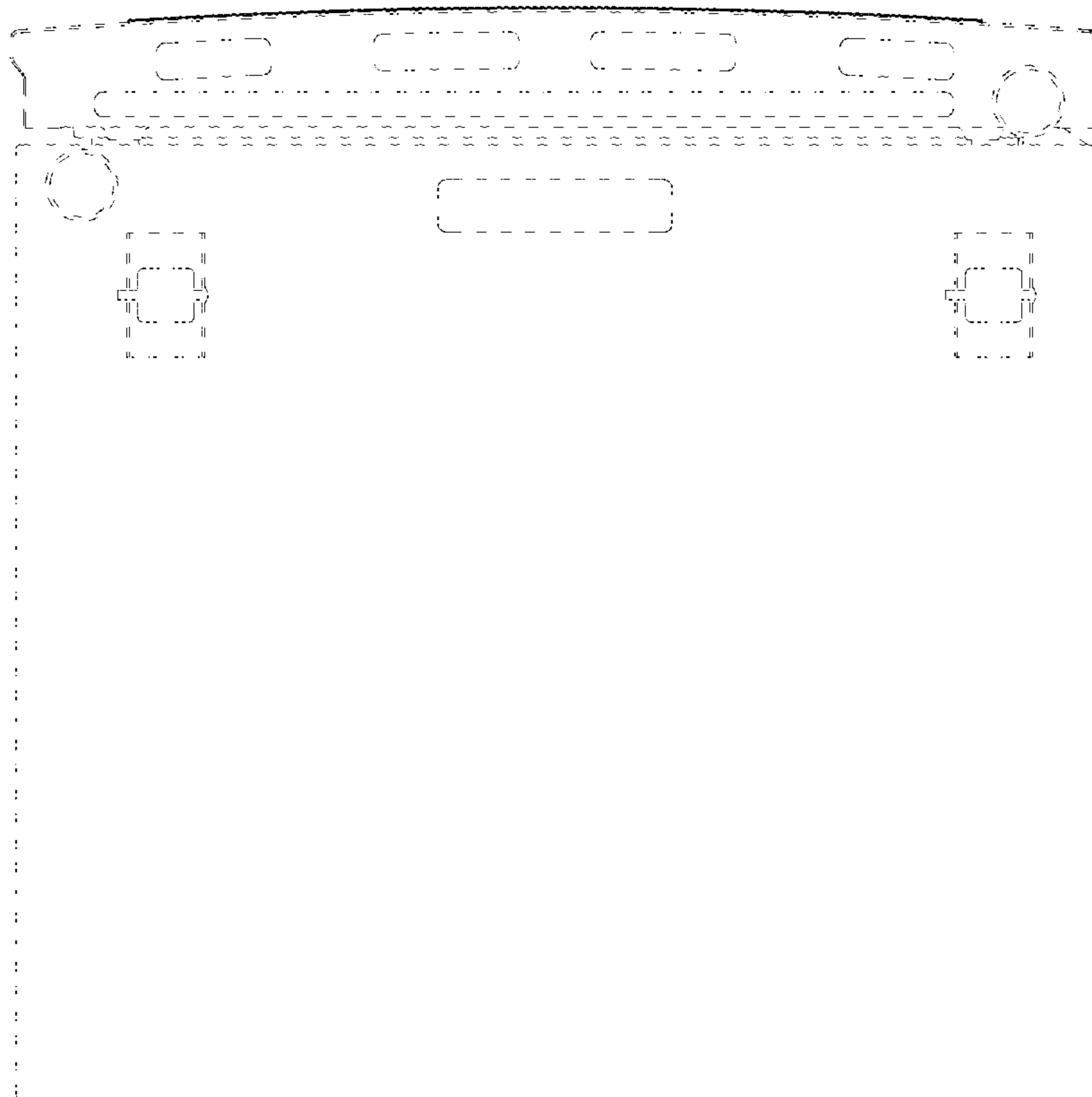


FIG. 8

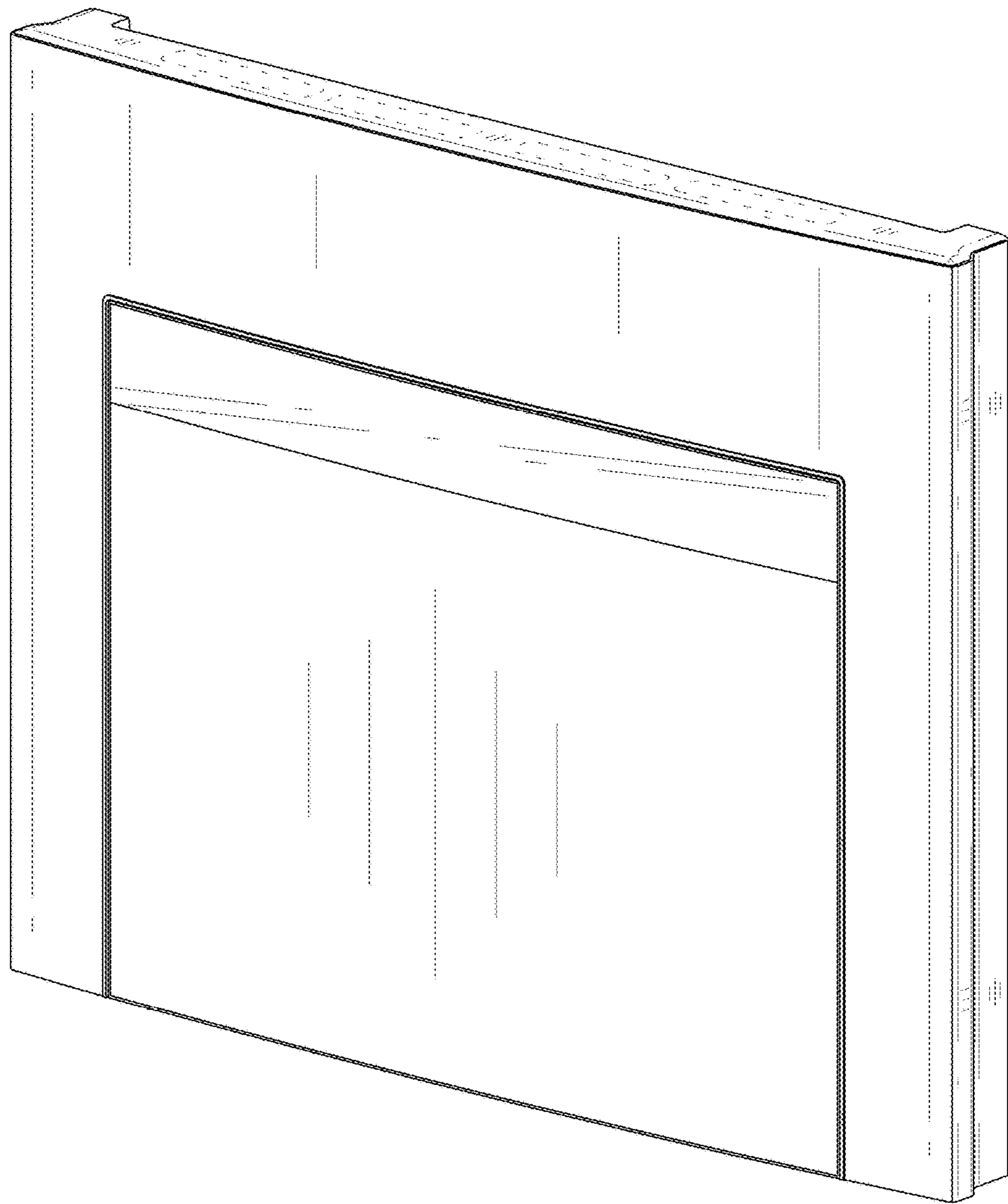


FIG. 9

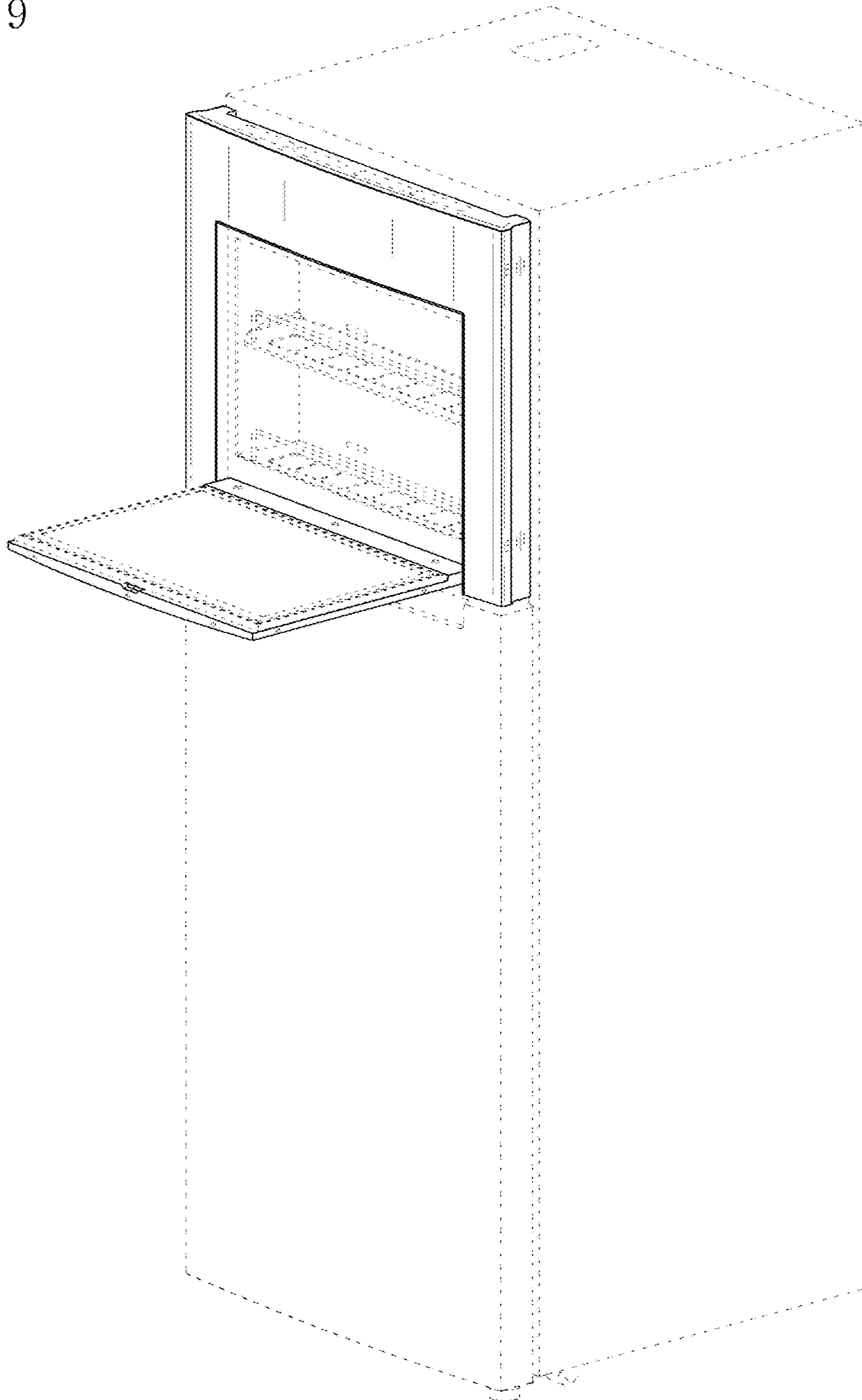


FIG. 10

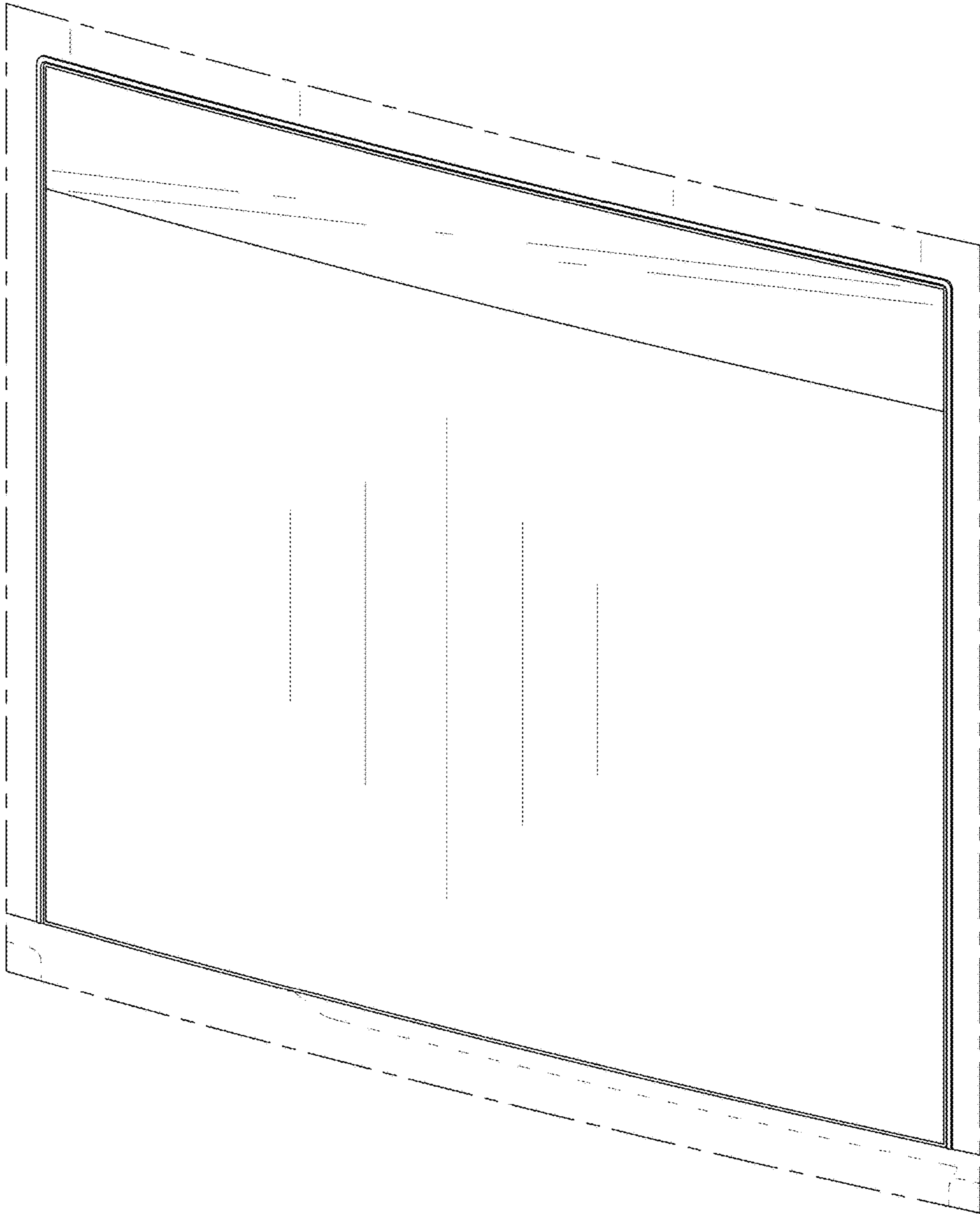


FIG. 11

