



US00D829775S

(12) **United States Design Patent** (10) **Patent No.:** **US D829,775 S**
Kim et al. (45) **Date of Patent:** **** *Oct. 2, 2018**

(54) **REFRIGERATOR**

(71) Applicant: **Samsung Electronics Co., Ltd.**,
Suwon-si (KR)

(72) Inventors: **Hyunsoo Kim**, Seongnam-si (KR);
Sunmin Lee, Seoul (KR); **Jae-Moon Lee**, Seoul (KR); **Yoonjoo Kwon**, Seoul (KR); **Binna Kim**, Seoul (KR);
Cheolwoong Seo, Seongnam-si (KR)

(73) Assignee: **Samsung Electronics Co., Ltd.**,
Suwon-si (KR)

(*) Notice: This patent is subject to a terminal disclaimer.

(**) Term: **15 Years**

(21) Appl. No.: **29/593,530**

(22) Filed: **Feb. 9, 2017**

(30) **Foreign Application Priority Data**

Aug. 22, 2016 (KR) 30-2016-0040935

(51) **LOC (11) Cl.** **15-07**

(52) **U.S. Cl.**
USPC **D15/81**

(58) **Field of Classification Search**

USPC D15/79-91

CPC F25D 23/028; F25D 27/00; F25D 27/005;

F25D 23/062; F25D 23/065; F25D

2323/021; F25D 2323/024; F25D

2327/001; F25D 23/067; F25D 2400/40;

F25D 25/024; F25D 11/00; F25D 11/003;

F25D 15/00; F25D 17/02; F25D 21/04;

F25D 2201/12; F25D 2303/081; F25D

2323/02; F25D 2323/023; F25D

2323/06803; F25D 2331/805; F25D

23/006; F25D 23/02; F25D 23/06; F25D

23/061; F25D 23/066; F25D 23/068;

F25D 23/08; F25D 23/126; F25D

2400/04; F25D 2400/28; F25D 2400/32;

F25D 2400/36; F25D 25/02; F25D
25/025; F25D 2700/02; F25D 2700/04;
F25D 2700/06; F25D 2700/16; F25D
29/00; F25D 29/008; F25D 31/002; F25D
31/005; F25D 31/007; F25D 3/08

See application file for complete search history.

(56) **References Cited**

U.S. PATENT DOCUMENTS

D394,270 S * 5/1998 Strandell D15/80
D618,257 S * 6/2010 Hanamure D15/79
D653,682 S * 2/2012 Herning D15/80
D668,272 S * 10/2012 Ebelt D15/80
D673,185 S * 12/2012 LaFond D15/80

(Continued)

FOREIGN PATENT DOCUMENTS

EM 001788068-0001 12/2010
EM 002070490-0001 11/2014
EM 003021633-0001 5/2016

Primary Examiner — Ian Simmons

Assistant Examiner — Khawaja Anwar

(74) *Attorney, Agent, or Firm* — NSIP Law

(57) **CLAIM**

We claim the ornamental design for a refrigerator, as shown and described.

DESCRIPTION

FIG. 1 is a front perspective view of a refrigerator showing our new design;

FIG. 2 is a front view thereof;

FIG. 3 is a rear view thereof;

FIG. 4 is a left-side view thereof;

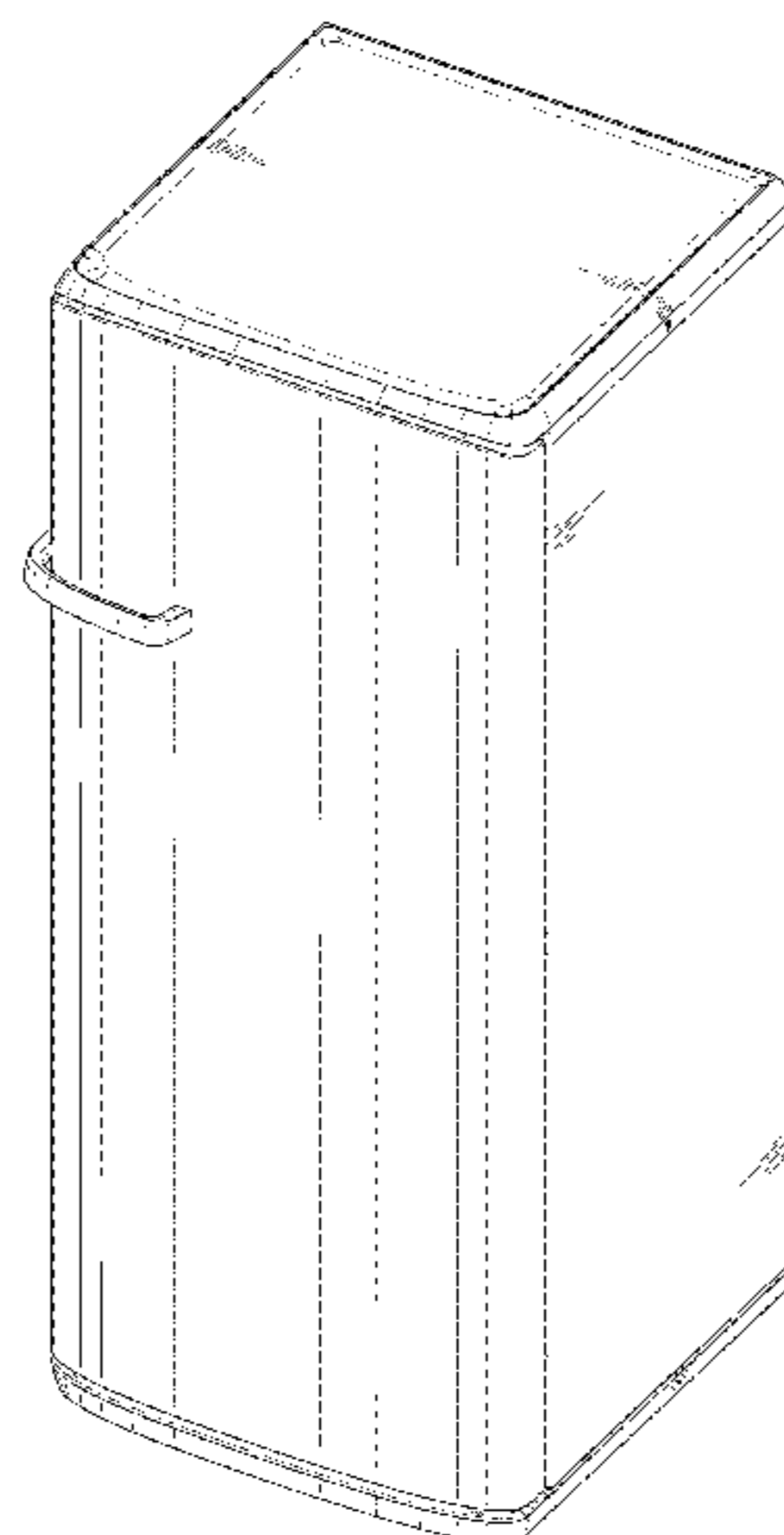
FIG. 5 is a right-side view thereof;

FIG. 6 is a top view thereof; and,

FIG. 7 is a bottom view thereof.

The broken lines in the figures depict environmental subject matter and form no part of the claimed design.

1 Claim, 7 Drawing Sheets



(56)

References Cited

U.S. PATENT DOCUMENTS

D752,660 S * 3/2016 Chen D15/81
D793,457 S * 8/2017 Kim D15/79
D800,799 S * 10/2017 Feng D15/81

* cited by examiner

FIG. 1

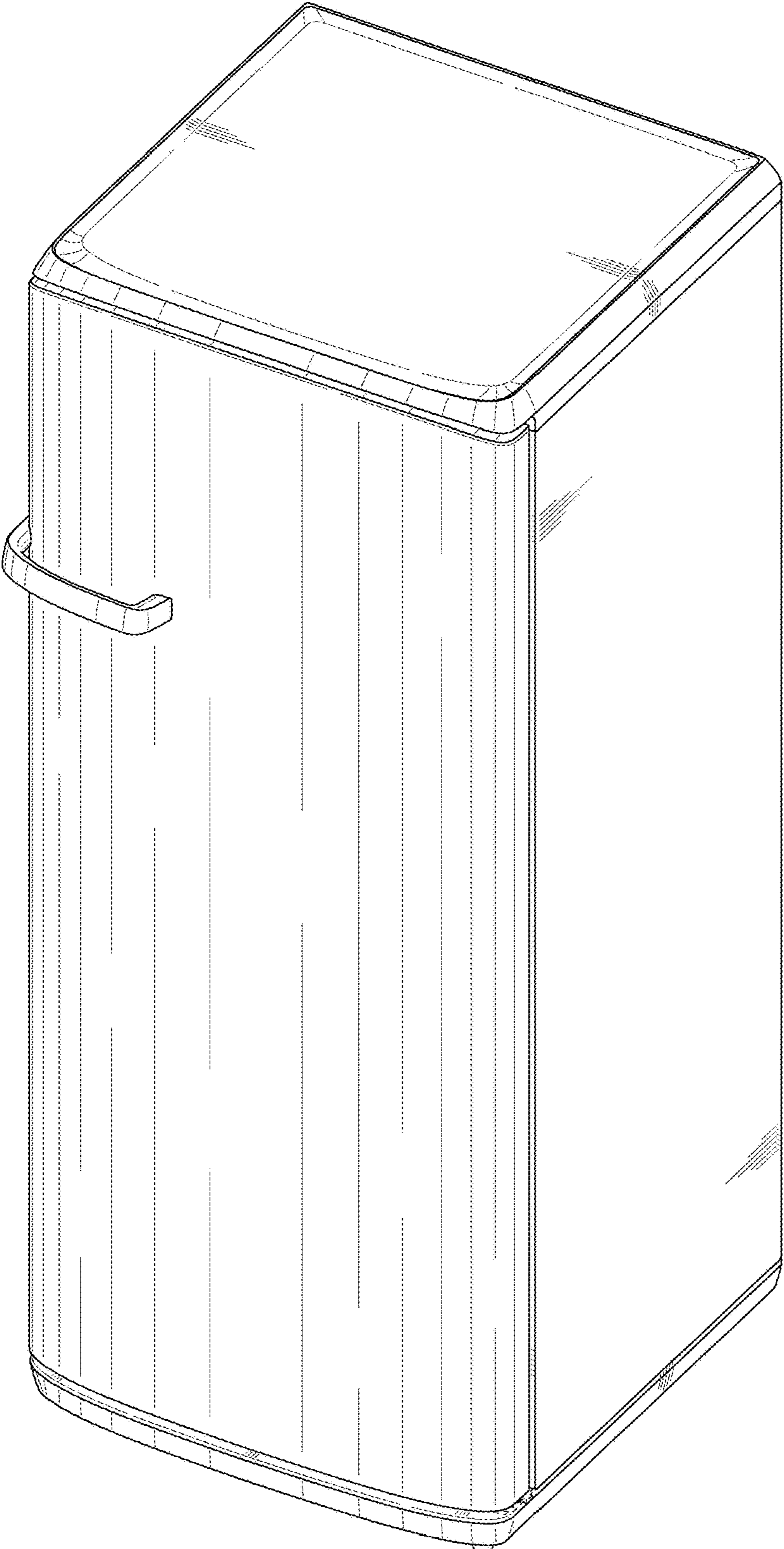


FIG. 2

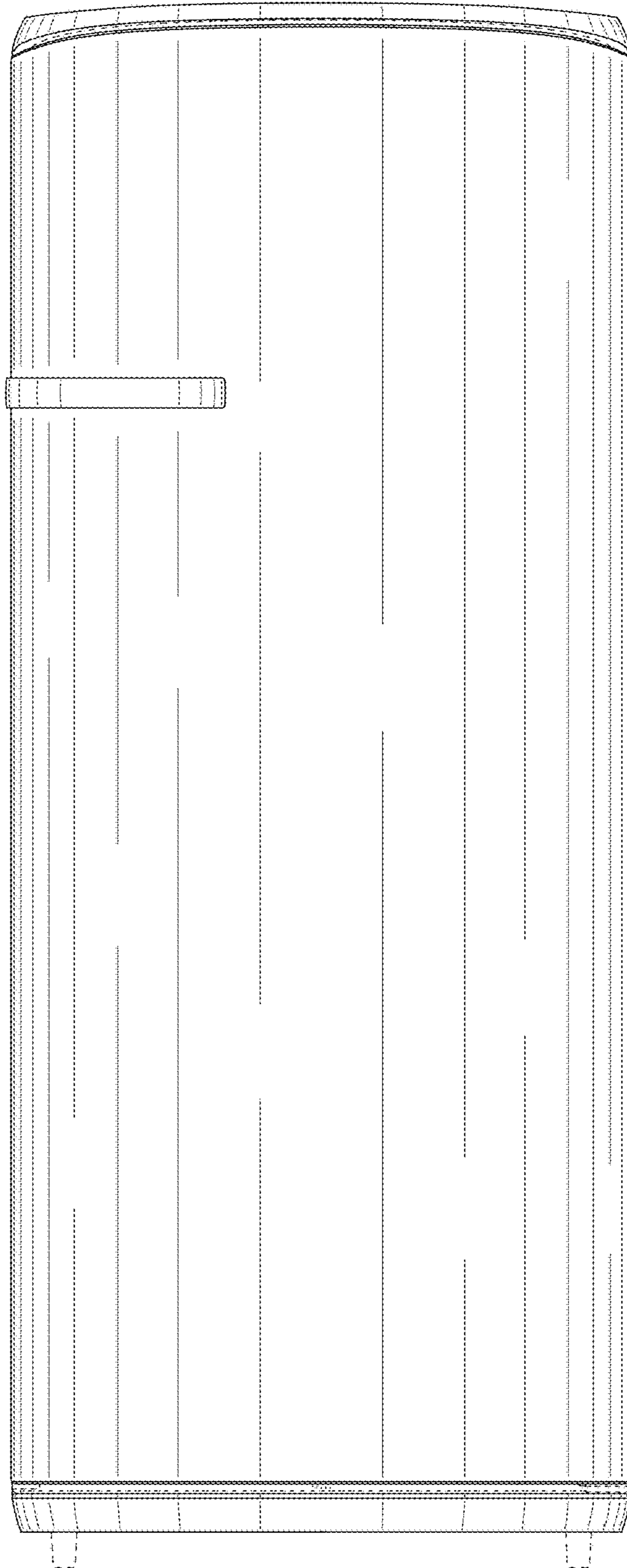


FIG. 3

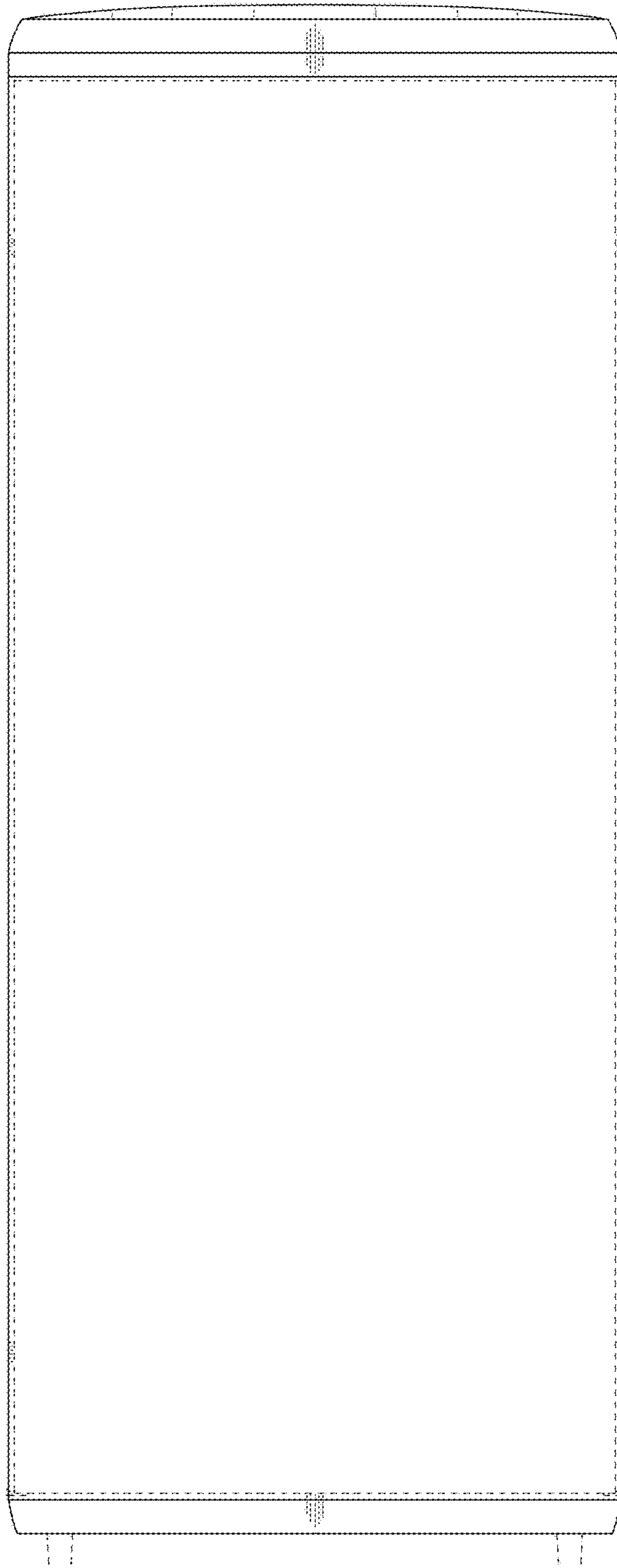


FIG. 4

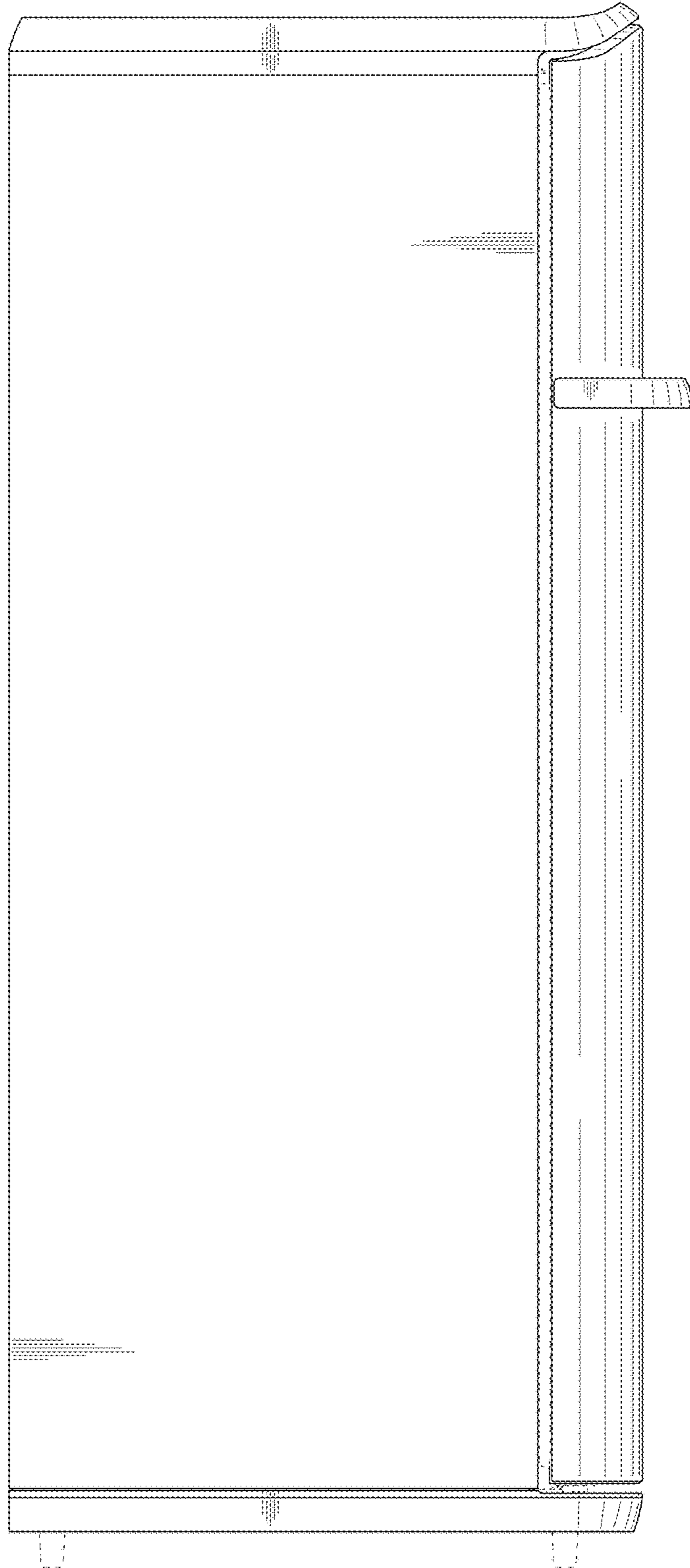


FIG. 5

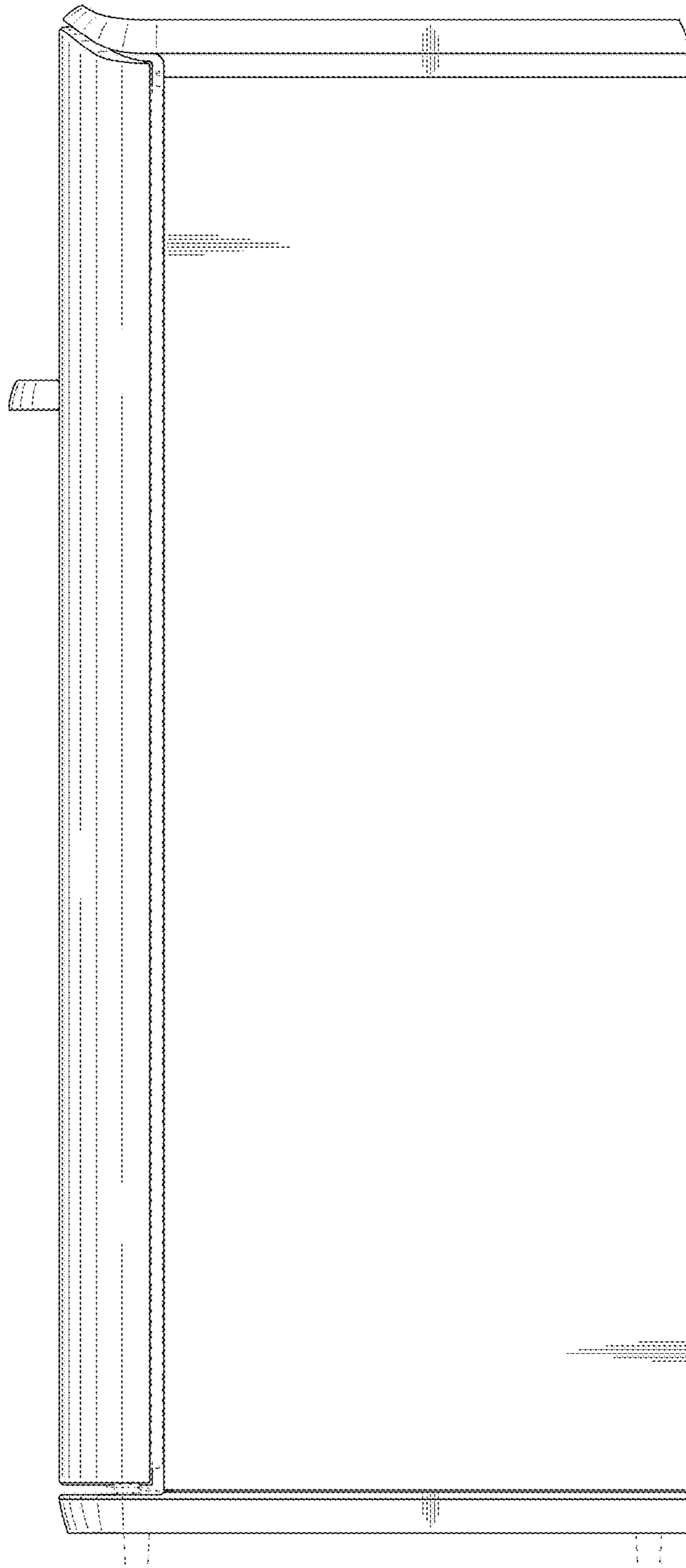


FIG. 6

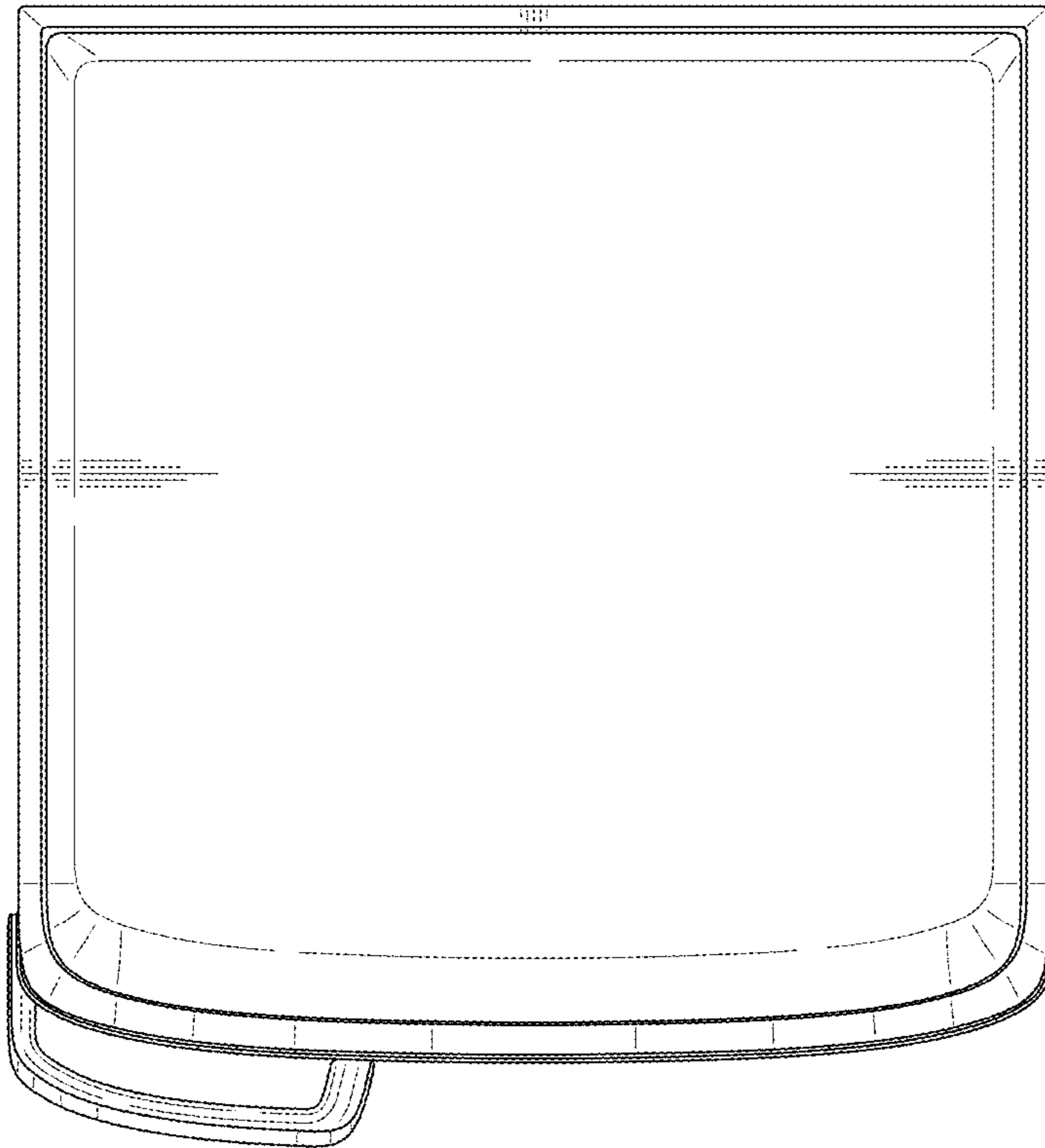


FIG. 7

