



US00D829774S

(12) **United States Design Patent**
Sherman et al.

(10) **Patent No.:** **US D829,774 S**

(45) **Date of Patent:** **** Oct. 2, 2018**

(54) **ICE MAKER**

(71) Applicant: **Beyond Zero, Inc.**, Louisville, KY
(US)

(72) Inventors: **Jason S. Sherman**, Louisville, KY
(US); **D. Paul Haviland**, Louisville,
KY (US); **Sumner E. P. Adams**,
Corydon, IN (US); **Grayson P.**
Newland, New Albany, IN (US)

(73) Assignee: **Beyond Zero, Inc.**, Louisville, KY
(US)

(**) Term: **15 Years**

(21) Appl. No.: **29/563,263**

(22) Filed: **May 3, 2016**

(51) **LOC (11) Cl.** **15-07**

(52) **U.S. Cl.**
USPC **D15/80**

(58) **Field of Classification Search**
USPC D15/79-91; D7/306-608
CPC .. F25C 5/002; F25C 5/005; F25C 5/12; F25C
1/04; F25C 2500/02; F25C 2500/08;
F25C 2700/02; F25C 5/02; F25C 5/046;
F25C 5/187

See application file for complete search history.

(56) **References Cited**

U.S. PATENT DOCUMENTS

D423,861 S * 5/2000 Graffius D7/305
D642,851 S * 8/2011 Yui D7/307

D669,727 S * 10/2012 Pagano D7/307
D714,847 S * 10/2014 Broen D15/89
D737,343 S * 8/2015 Rinderer D15/81
D738,407 S * 9/2015 Rinderer D15/81
D745,576 S * 12/2015 Sherman D15/80
D793,457 S * 8/2017 Kim D15/79

* cited by examiner

Primary Examiner — Ian Simmons

Assistant Examiner — Khawaja Anwar

(74) *Attorney, Agent, or Firm* — Christopher & Weisberg,
P.A.

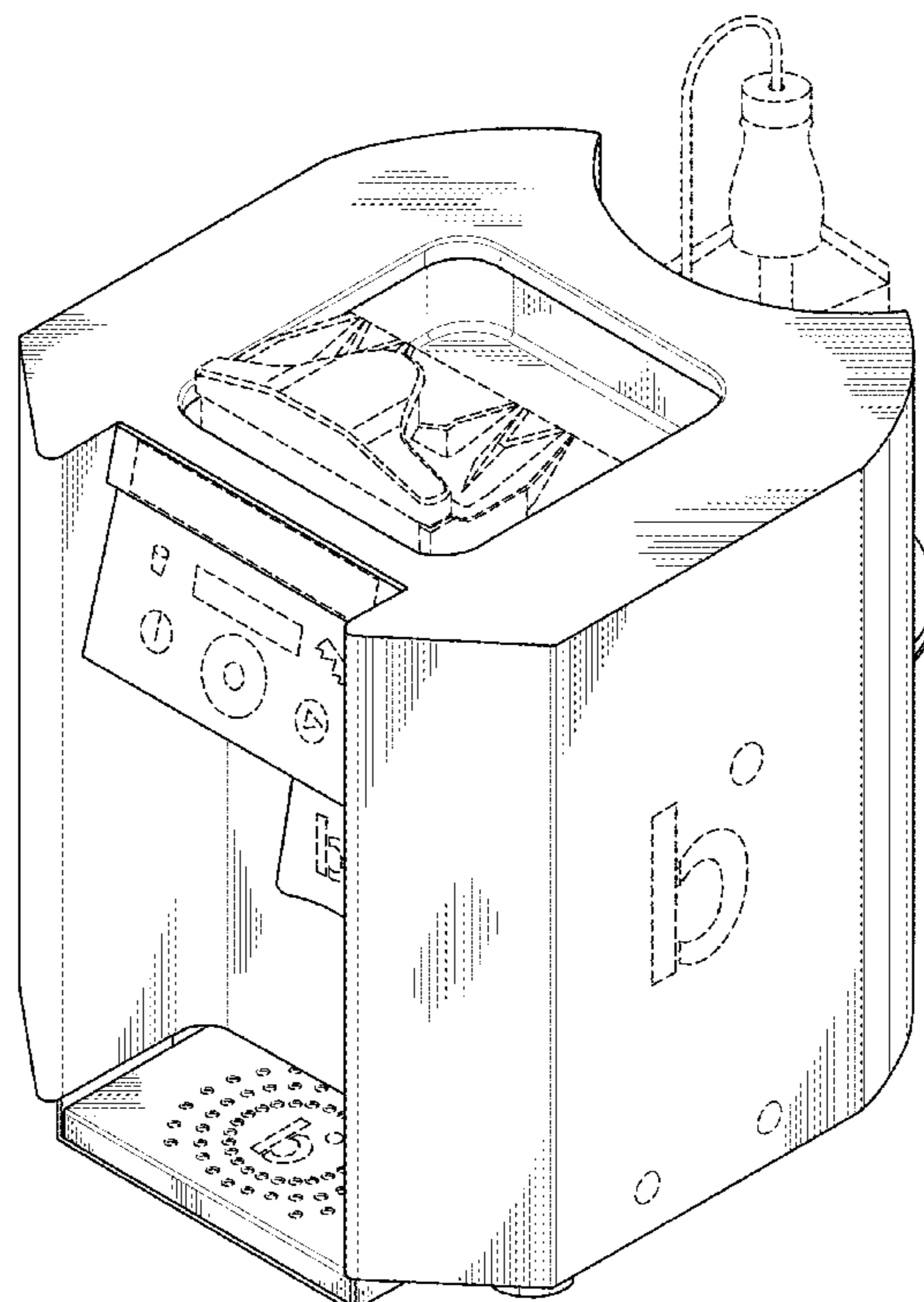
(57) **CLAIM**

The ornamental design for an ice maker, as shown.

DESCRIPTION

FIG. 1 is front perspective view of the ice maker;
FIG. 2 is a front view thereof;
FIG. 3 is a rear view thereof;
FIG. 4 is a left side view thereof;
FIG. 5 is a right side view thereof;
FIG. 6 is a top view thereof; and,
FIG. 7 is a bottom view thereof.
The broken lines shown in the drawings represent unclaimed
portions of the ice maker and form no part of the claimed
design.

1 Claim, 7 Drawing Sheets



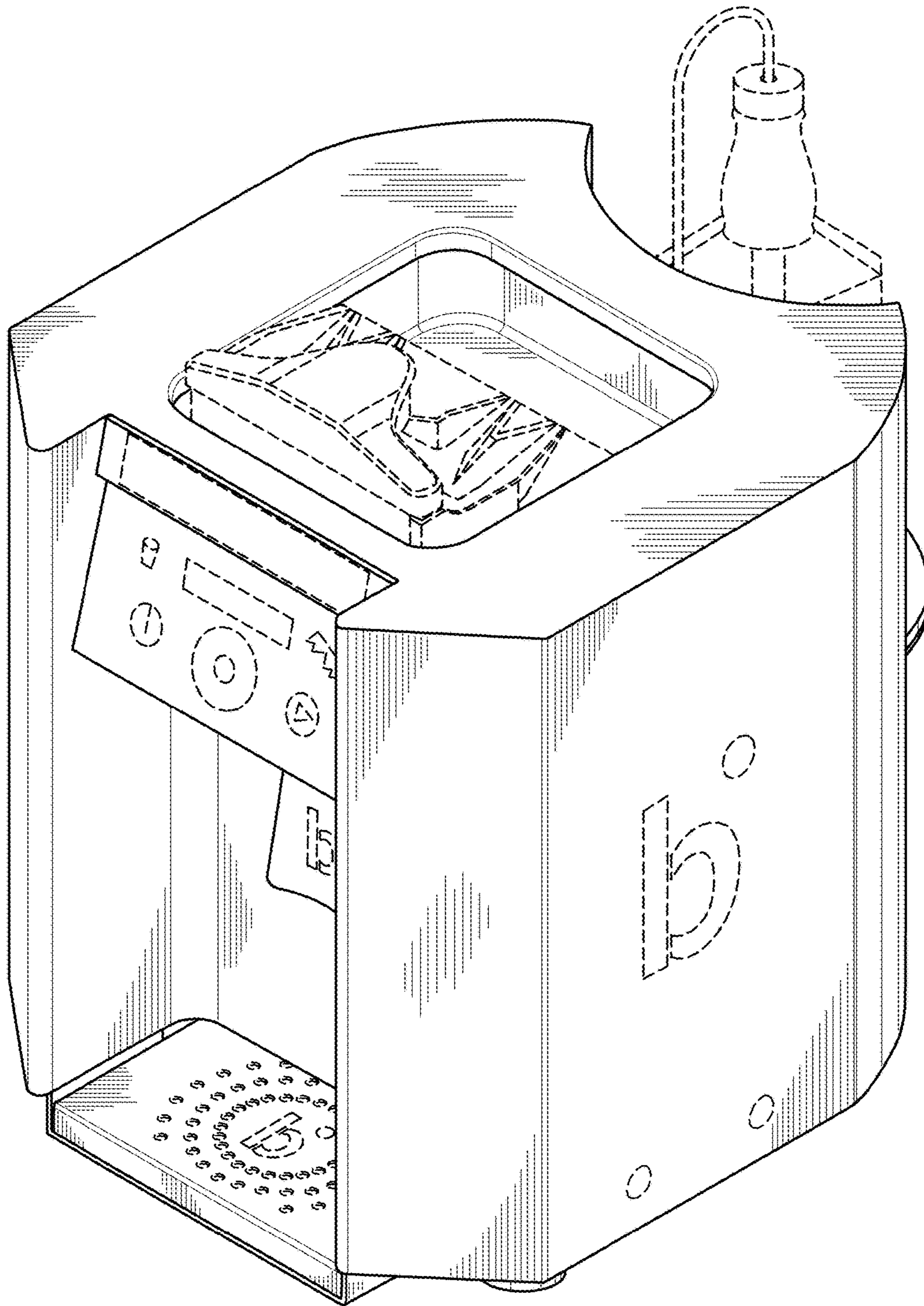


FIG. 1

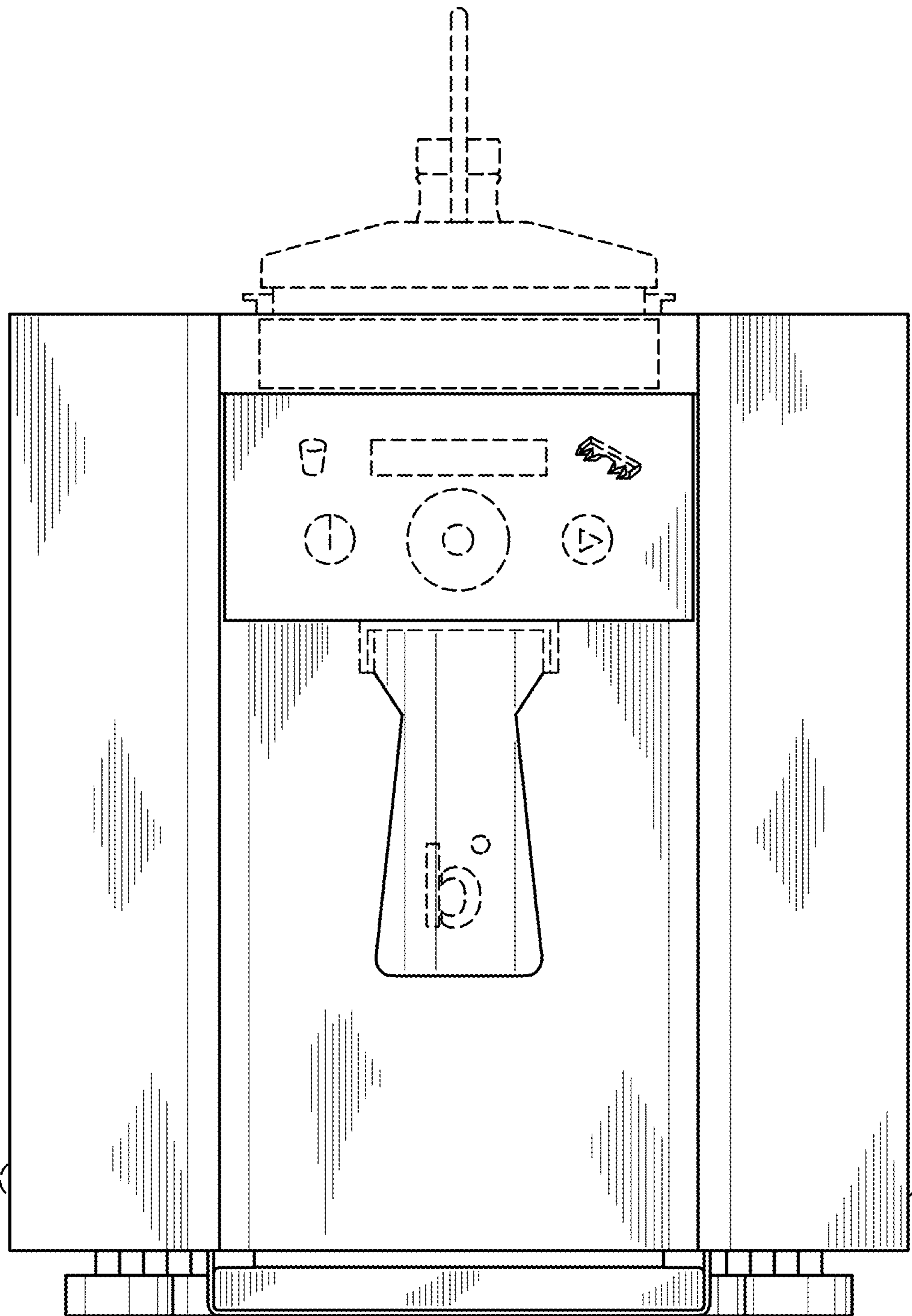


FIG. 2

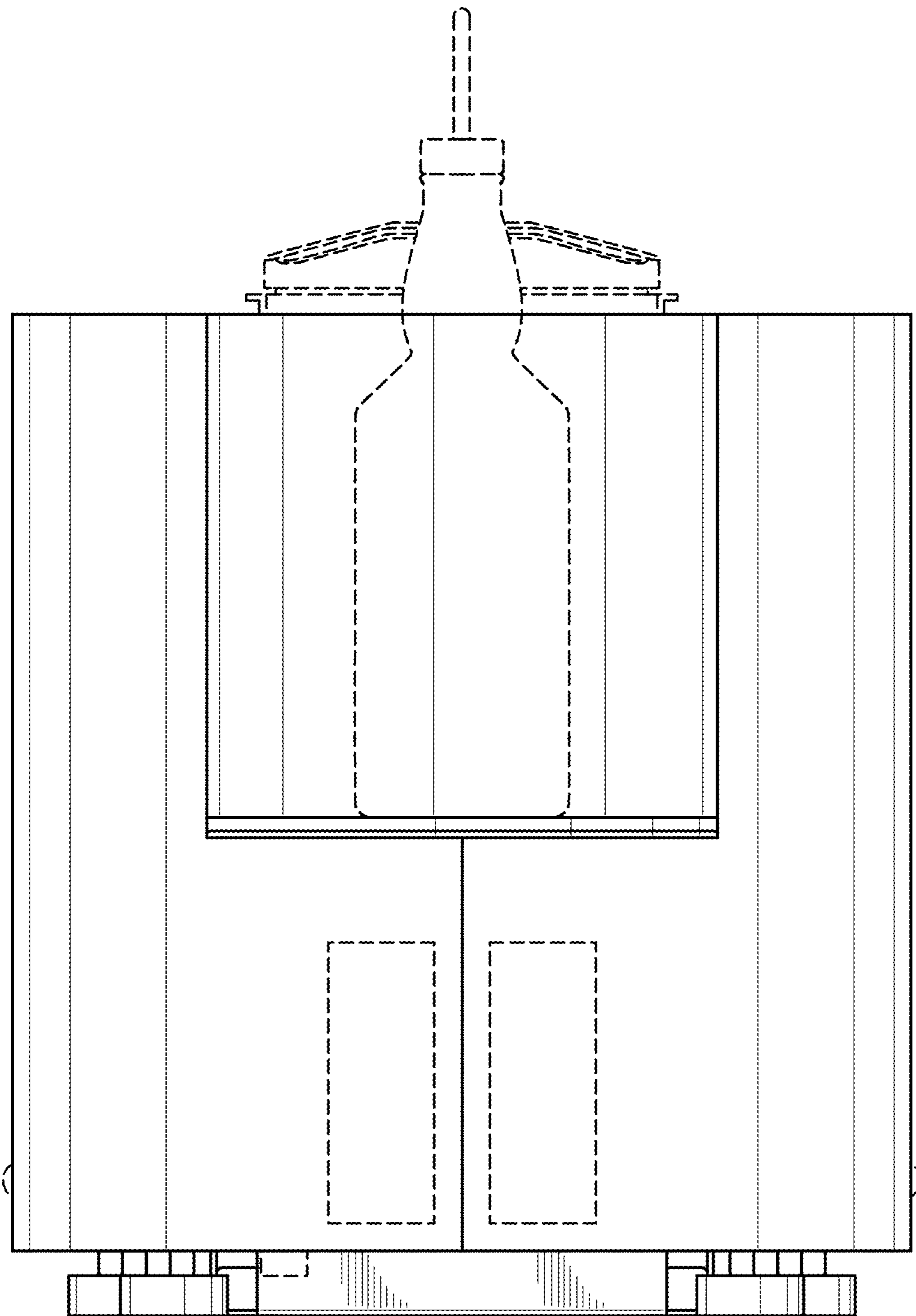


FIG. 3

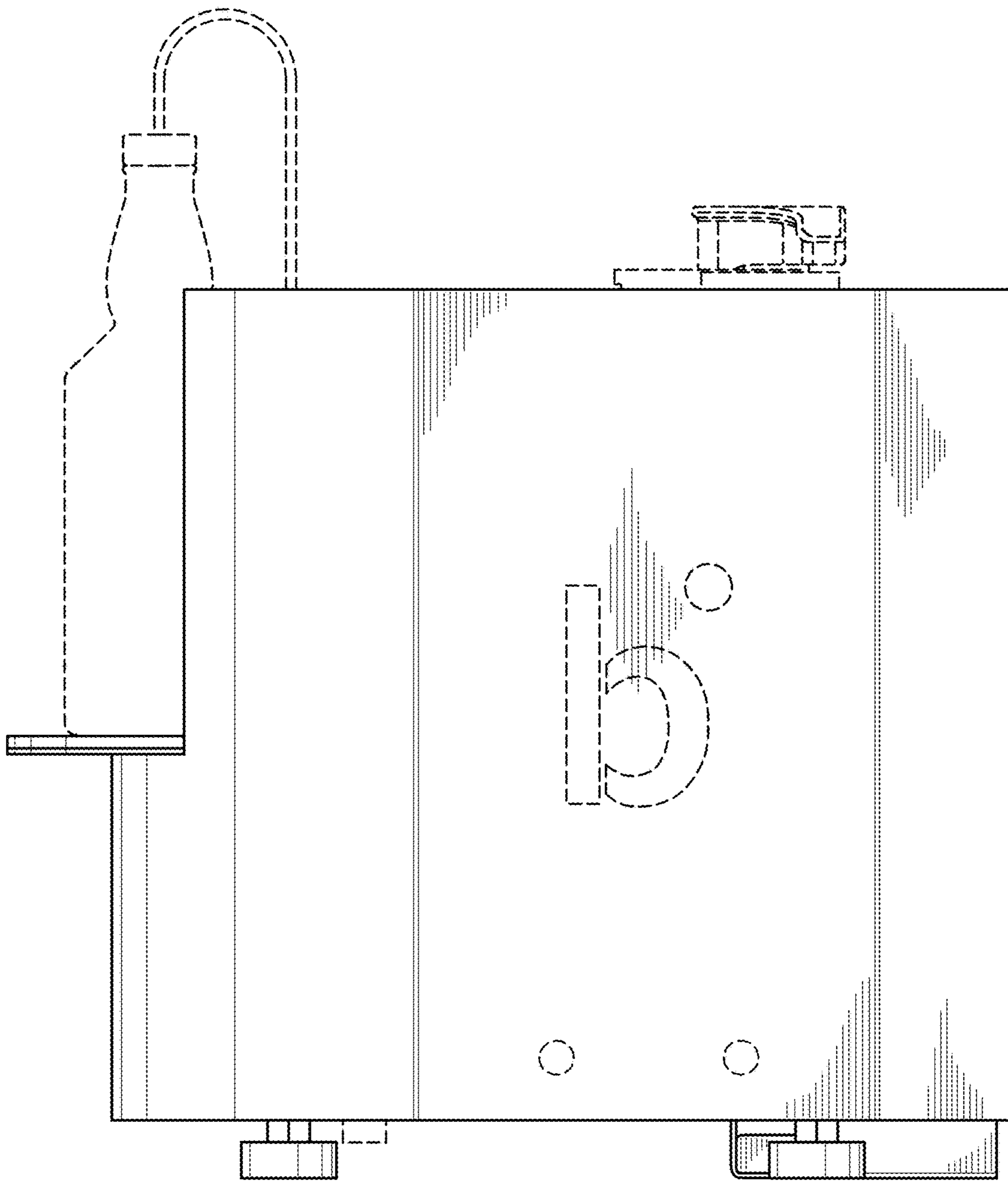


FIG. 4

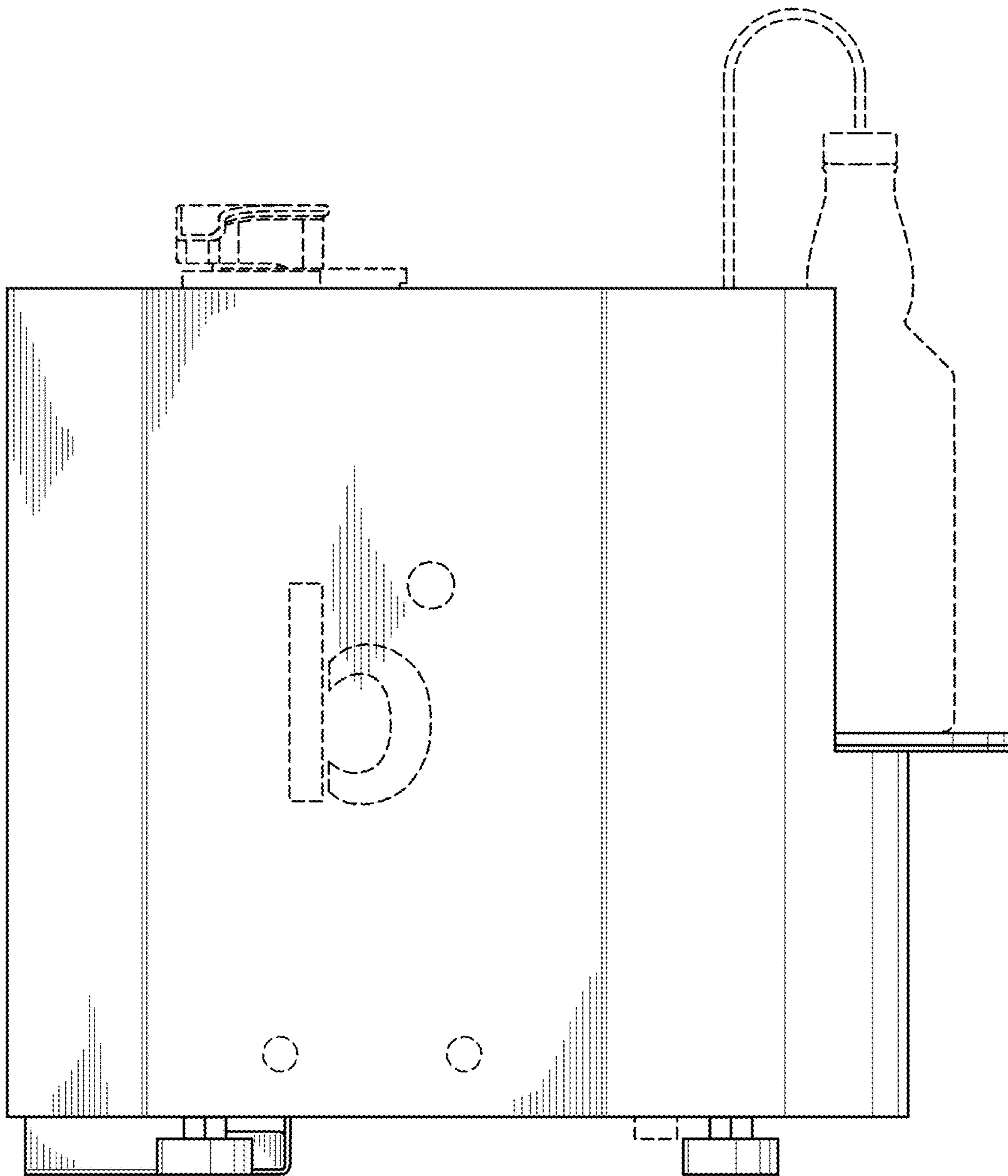


FIG. 5

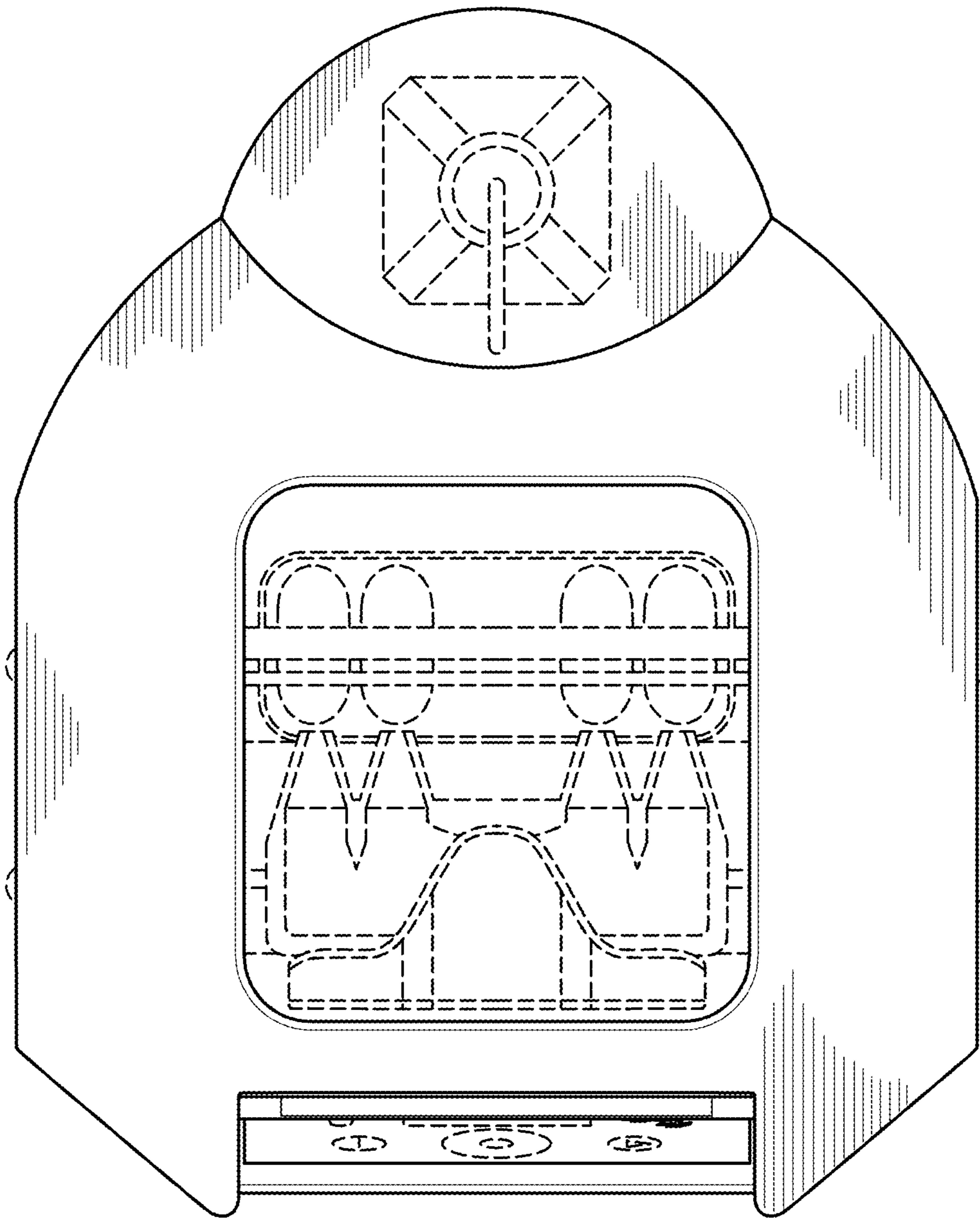


FIG. 6

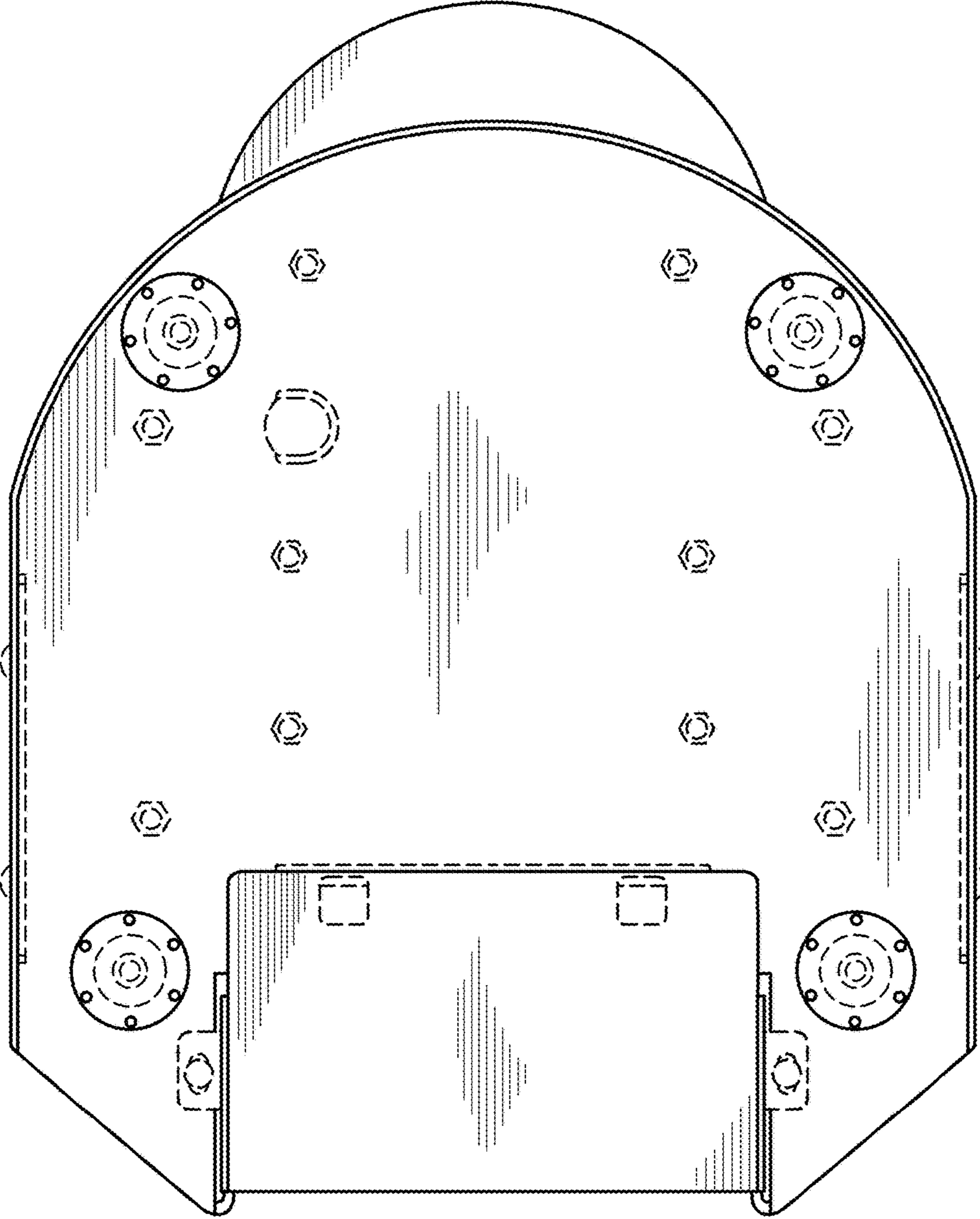


FIG. 7