

US00D829772S

(12) **United States Design Patent**
Blenkush et al.

(10) **Patent No.:** **US D829,772 S**

(45) **Date of Patent:** **** Oct. 2, 2018**

(54) **SPRAYER FRAME**

(71) Applicant: **Graco Minnesota Inc.**, Minneapolis, MN (US)

(72) Inventors: **William M. Blenkush**, Becker, MN (US); **Brett J. Carlson**, Rogers, MN (US); **John M. Svendsen**, Corcoran, MN (US); **Robert J. Gundersen**, Otsego, MN (US)

(73) Assignee: **Graco Minnesota Inc.**, Minneapolis, MN (US)

(**) Term: **15 Years**

(21) Appl. No.: **29/552,536**

(22) Filed: **Jan. 22, 2016**

(51) **LOC (11) Cl.** **15-02**

(52) **U.S. Cl.**
USPC **D15/13**

(58) **Field of Classification Search**
USPC D15/7, 9, 10, 13, 17, 27, 28, 122, 123, D15/124, 125, 126, 127, 128, 129, 138, D15/139, 140, 141, 199
CPC B25D 3/00; B25D 17/02; B25D 2250/111; B25D 2211/003; B25D 16/00; C03B 23/047; C03B 23/0496; E21B 10/52; E21B 10/16; E21B 10/567
See application file for complete search history.

(56) **References Cited**

U.S. PATENT DOCUMENTS

D192,881 S * 5/1962 Belski et al. D15/141
D243,282 S * 2/1977 Burenga D15/9
4,077,747 A * 3/1978 Burenga F04B 35/06
417/234
D423,518 S * 4/2000 Milligan D15/9
D444,484 S * 7/2001 Rettenweber D15/127
D461,196 S * 8/2002 Buck D15/9

D499,432 S * 12/2004 Chen D15/9
D517,096 S * 3/2006 Landers D15/28
D529,518 S * 10/2006 Buck D15/9
D537,841 S * 3/2007 Smith D15/9
D541,306 S * 4/2007 Welsh D15/9
D550,715 S * 9/2007 Davidson D15/7
D580,516 S * 11/2008 Mattson D23/225
D580,517 S * 11/2008 Mattson D23/225
D589,059 S * 3/2009 Pagotto D15/7
D603,871 S * 11/2009 Steinfeld D15/7
D662,517 S * 6/2012 Hawkins D15/9
D664,996 S * 8/2012 Hsiao D15/9
D668,267 S * 10/2012 Hawkins D15/7

(Continued)

OTHER PUBLICATIONS

<https://www.amazon.com/Graco-17H579-Texture-Sprayers/dp/B075CRF5CX>—Available since Sep. 4, 2017.*

(Continued)

Primary Examiner — Manpreet S Matharu

Assistant Examiner — Mojtaba Tehrani

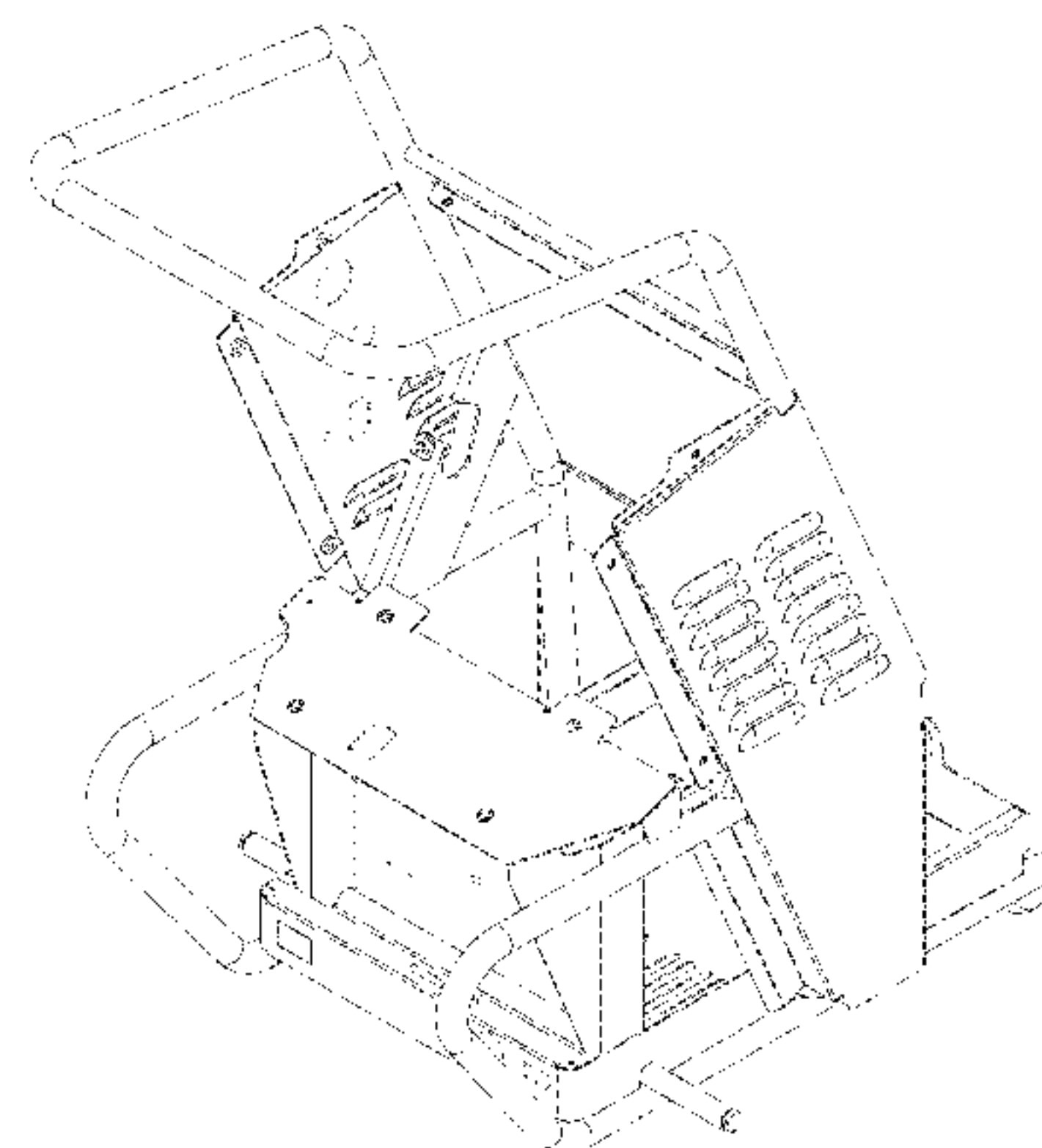
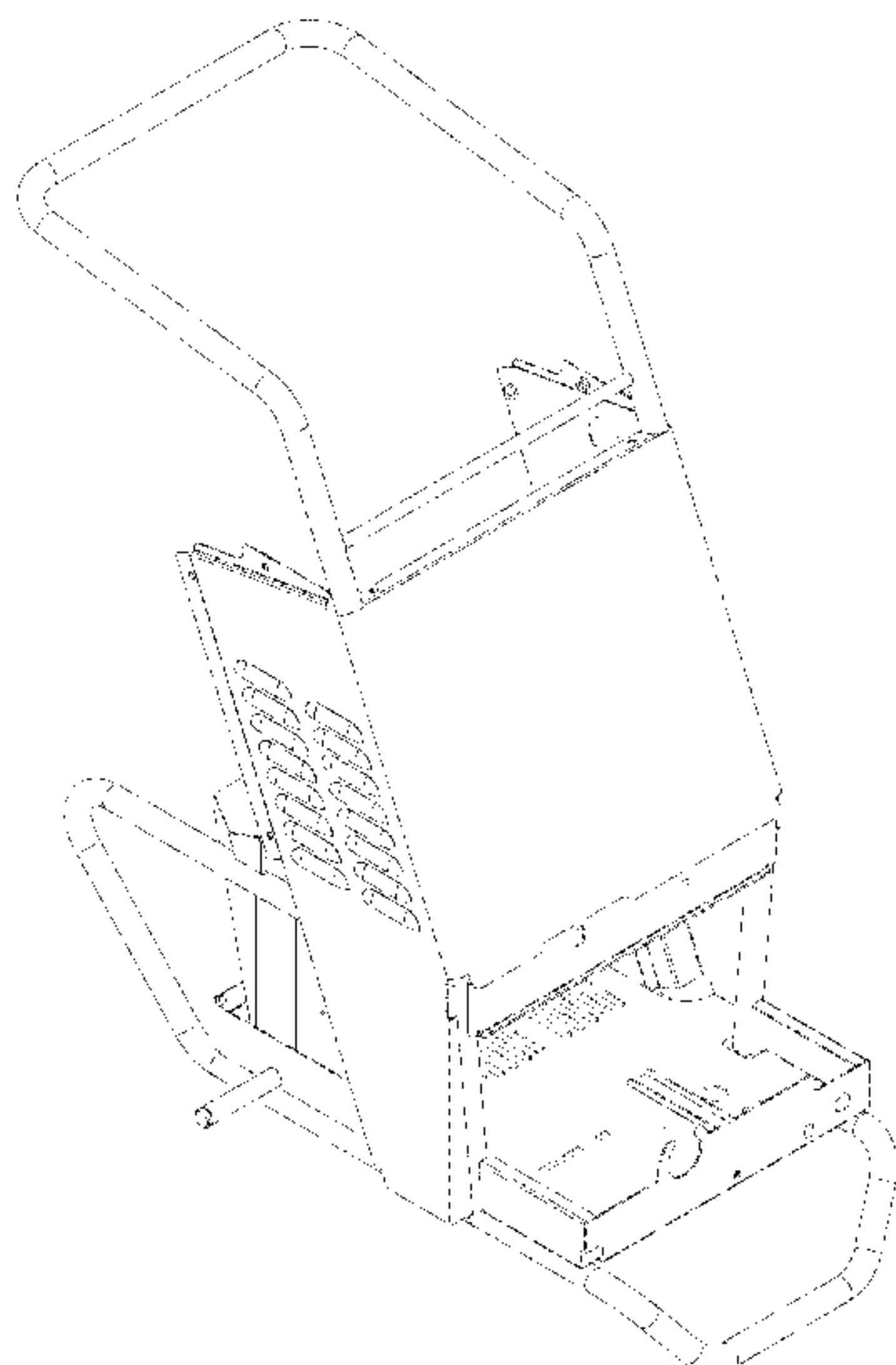
(57) **CLAIM**

The ornamental design for a sprayer frame, as shown and described.

DESCRIPTION

FIG. 1 is a front left isometric view of a sprayer frame; FIG. 2 is a rear left isometric view thereof; FIG. 3 is a left side view thereof; FIG. 4 is a front view thereof; FIG. 5 is a right side view thereof; FIG. 6 is a back view thereof; FIG. 7 is a top view thereof; FIG. 8 is a bottom view thereof; and, FIG. 9 is a right side view of the claimed design in the condition of use. The broken lines are indicative of unclaimed portions of the design.

1 Claim, 9 Drawing Sheets



(56)

References Cited

U.S. PATENT DOCUMENTS

D774,656 S * 12/2016 Larsen D15/7
D777,792 S * 1/2017 Goodier D15/7
2017/0211568 A1* 7/2017 Blenkush F04B 43/1253

OTHER PUBLICATIONS

<https://www.youtube.com/watch?v=cOVJKlu-g9I>—Published Feb. 3, 2011.*

<http://www.dpairless.com/products/drywall-texture-sprayer-equipment>—Retrieved Jun. 5, 2018.*

* cited by examiner

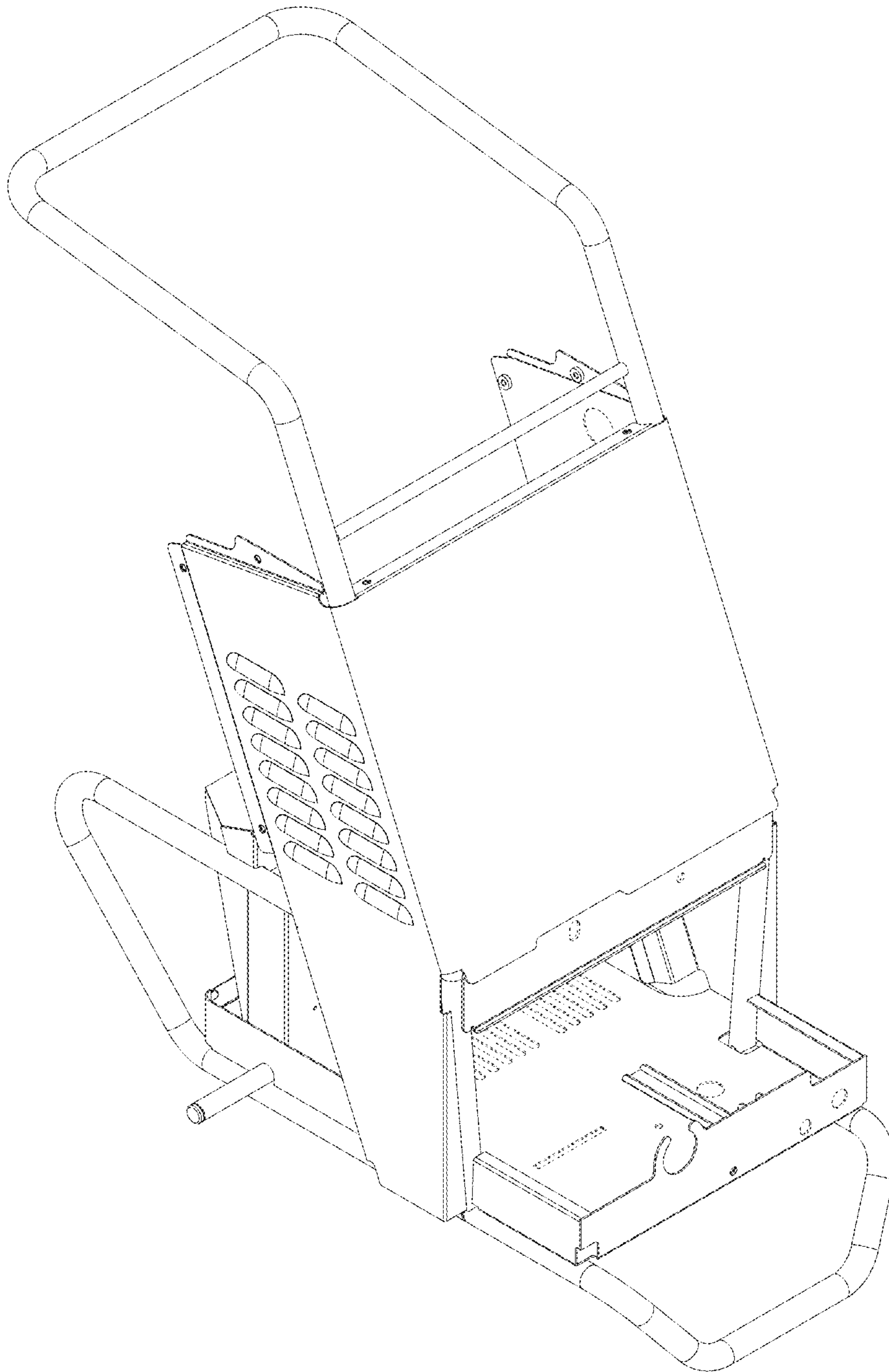


FIG. 1

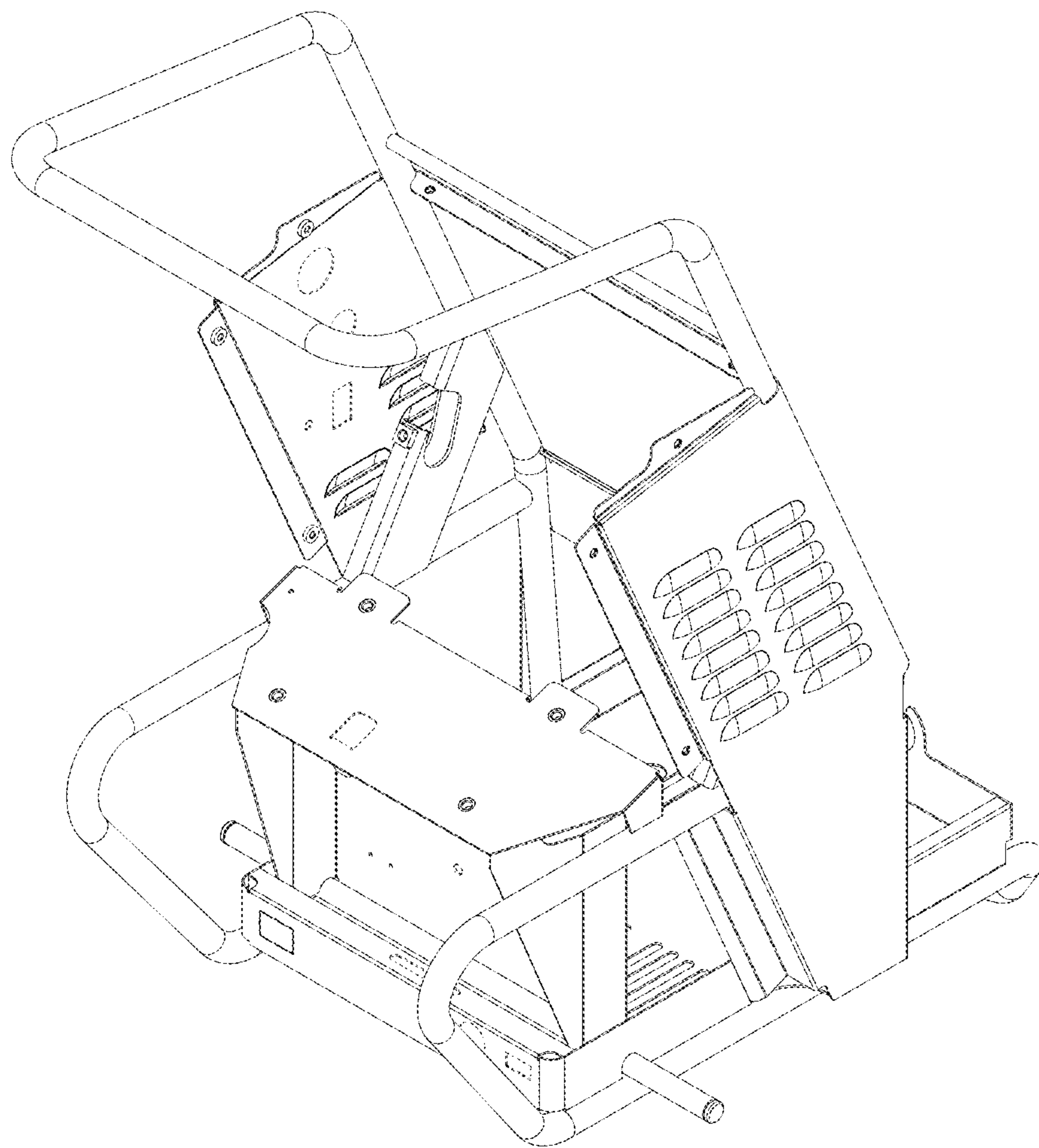


FIG. 2

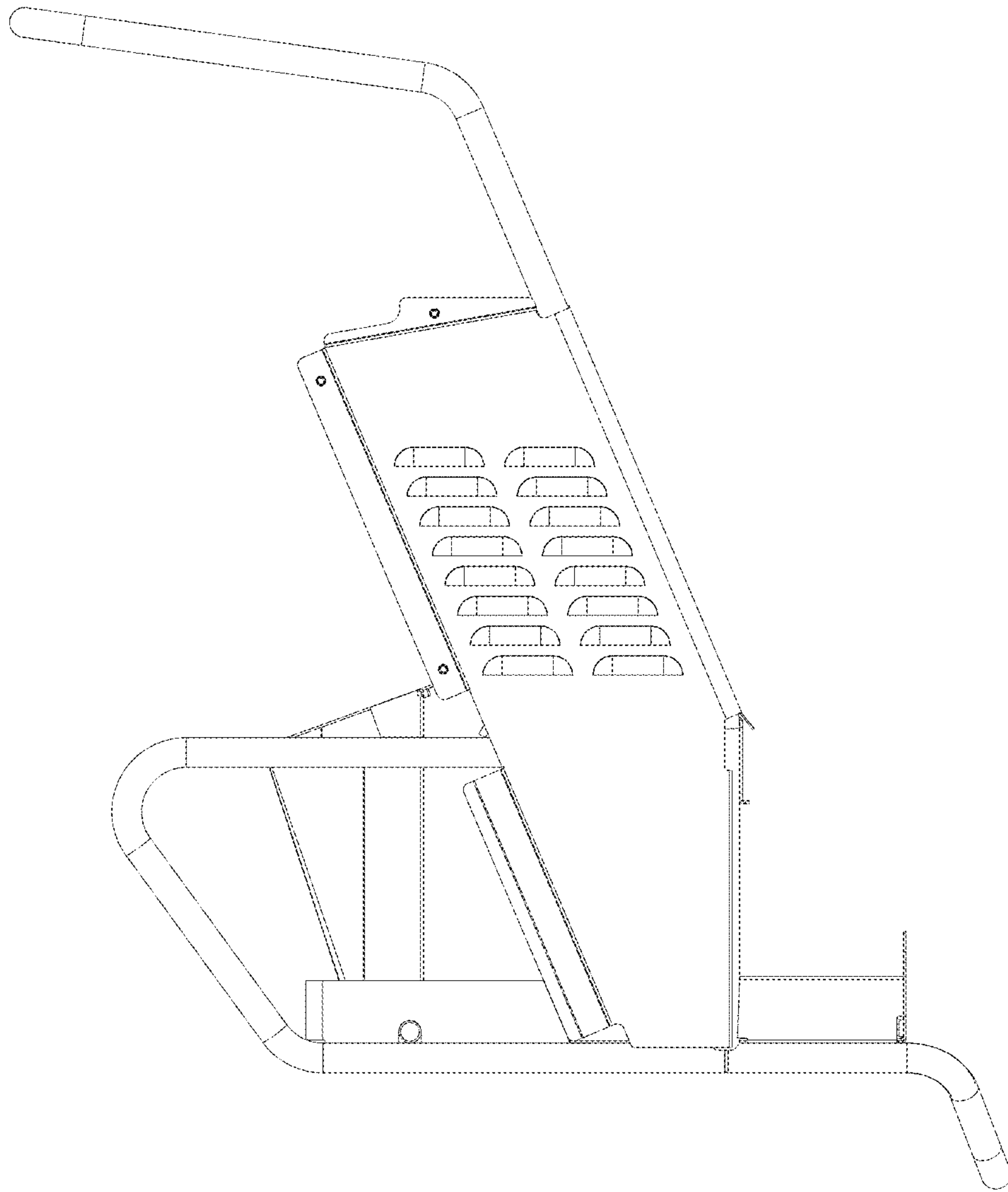


FIG. 3

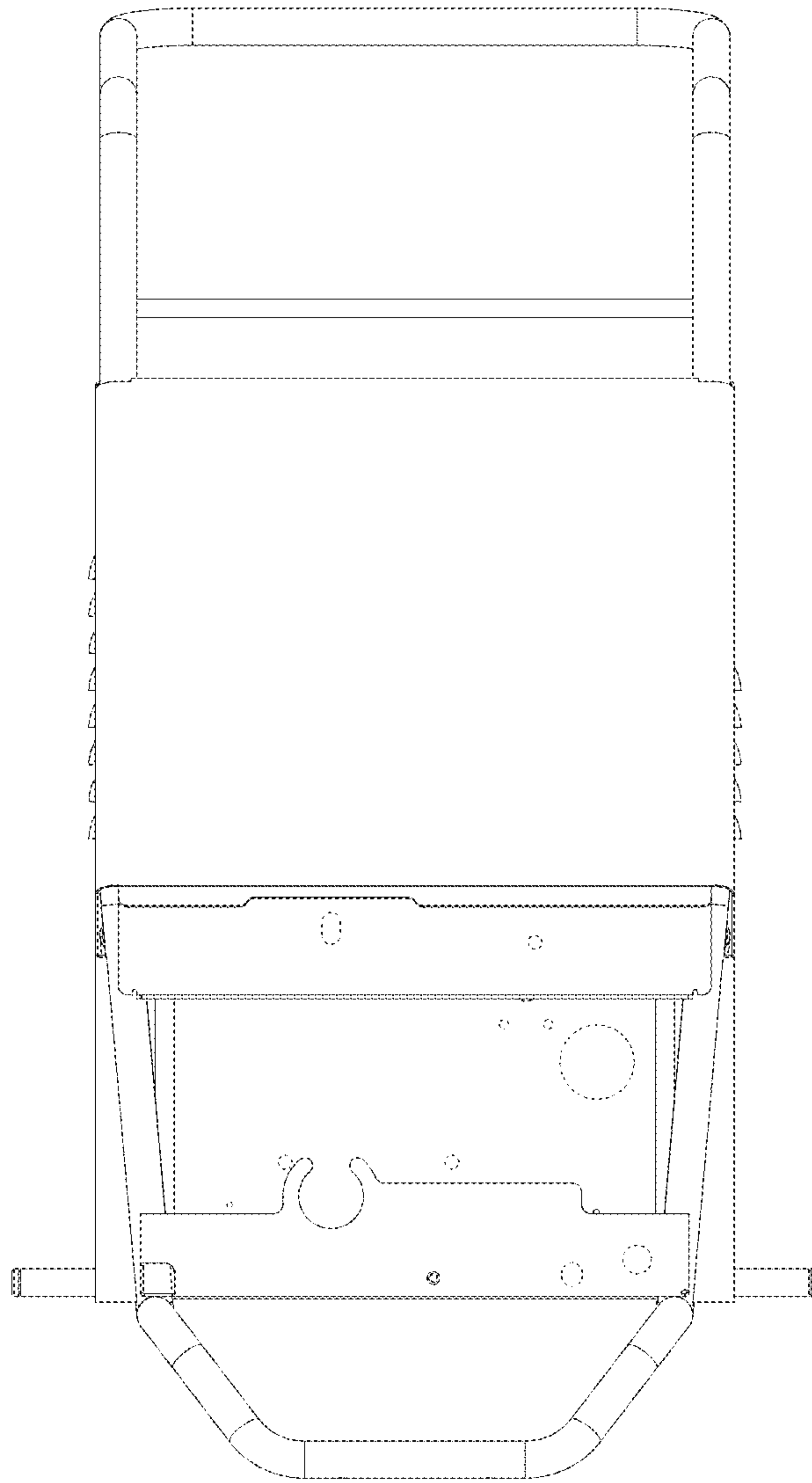


FIG. 4

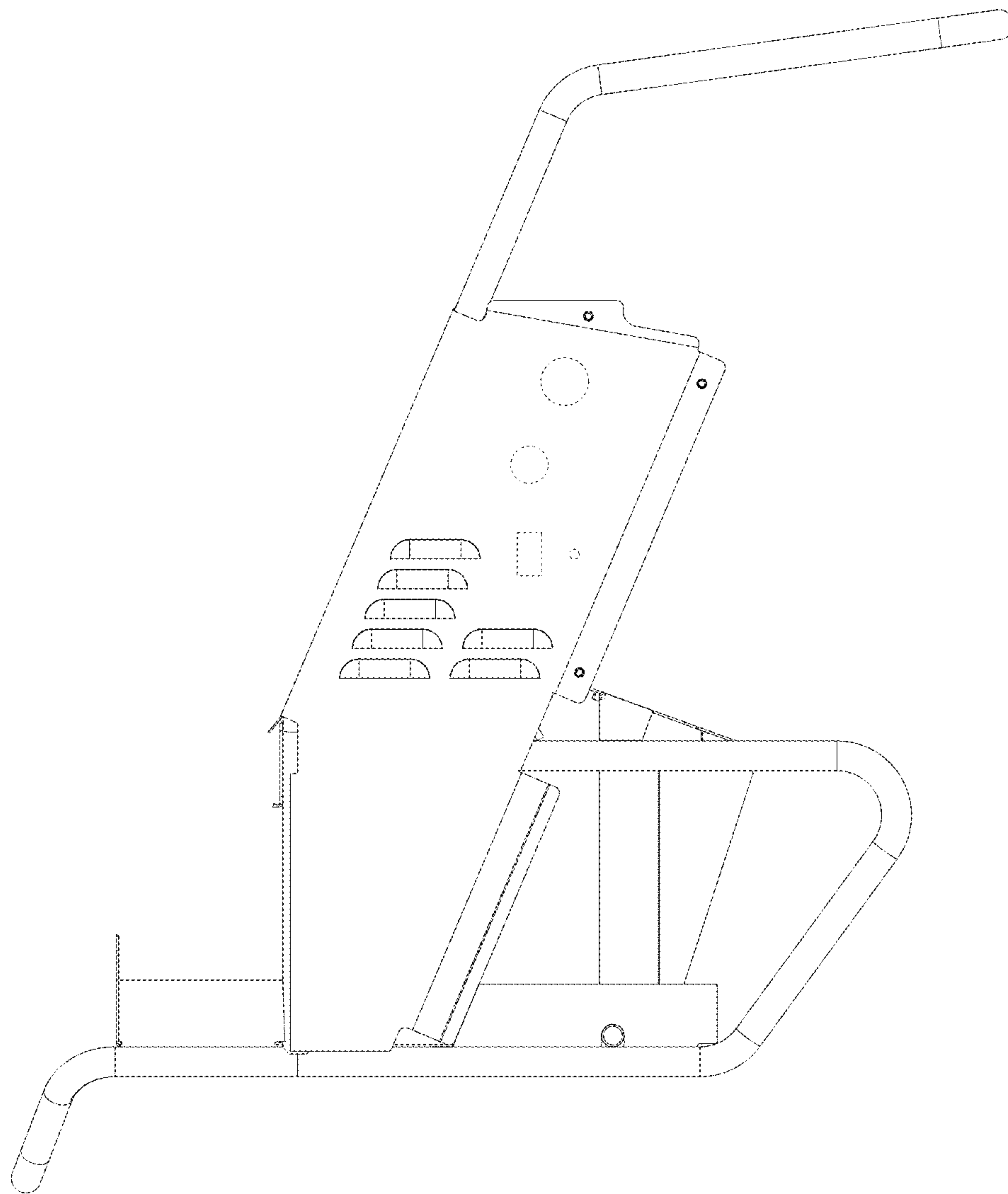


FIG. 5

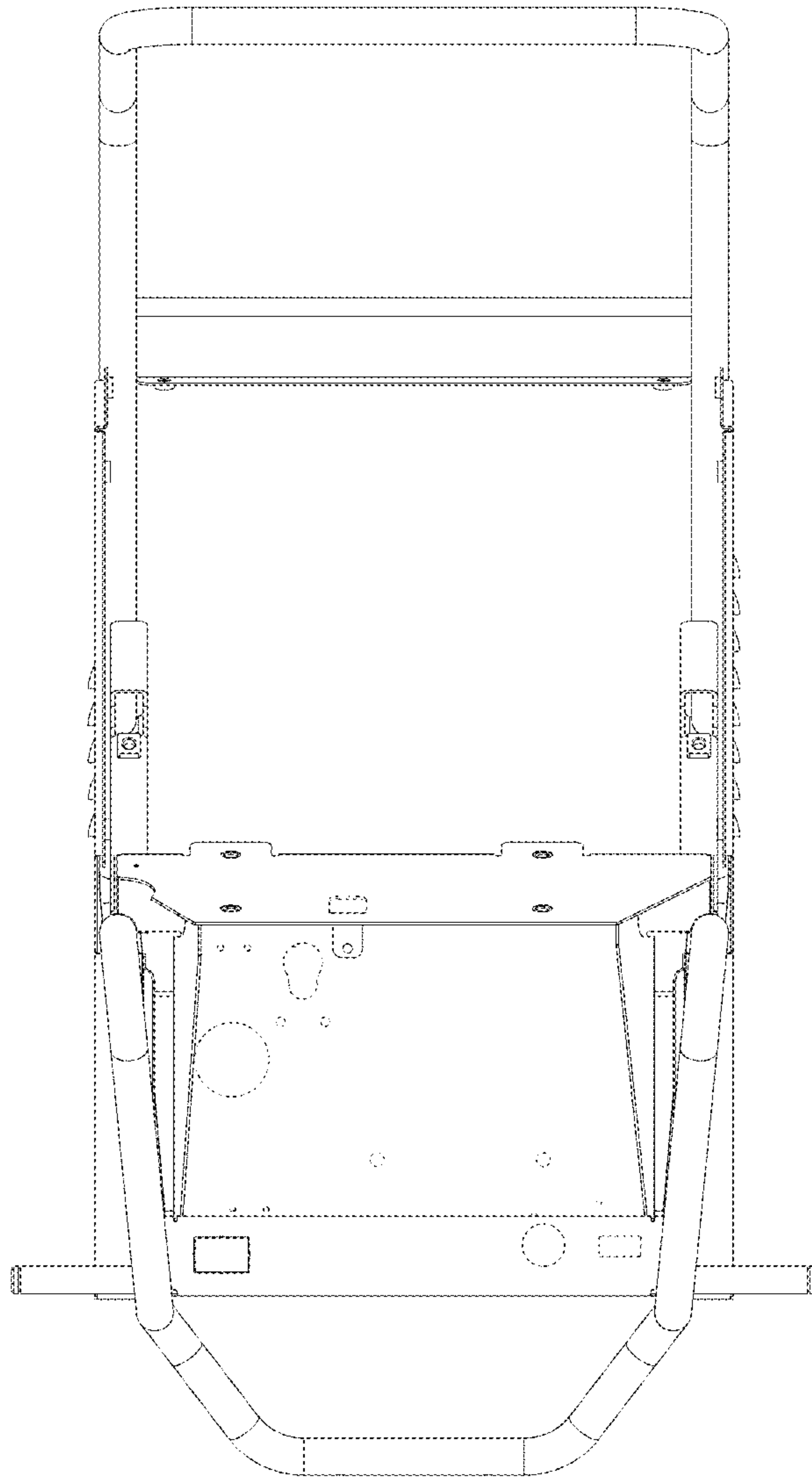


FIG. 6

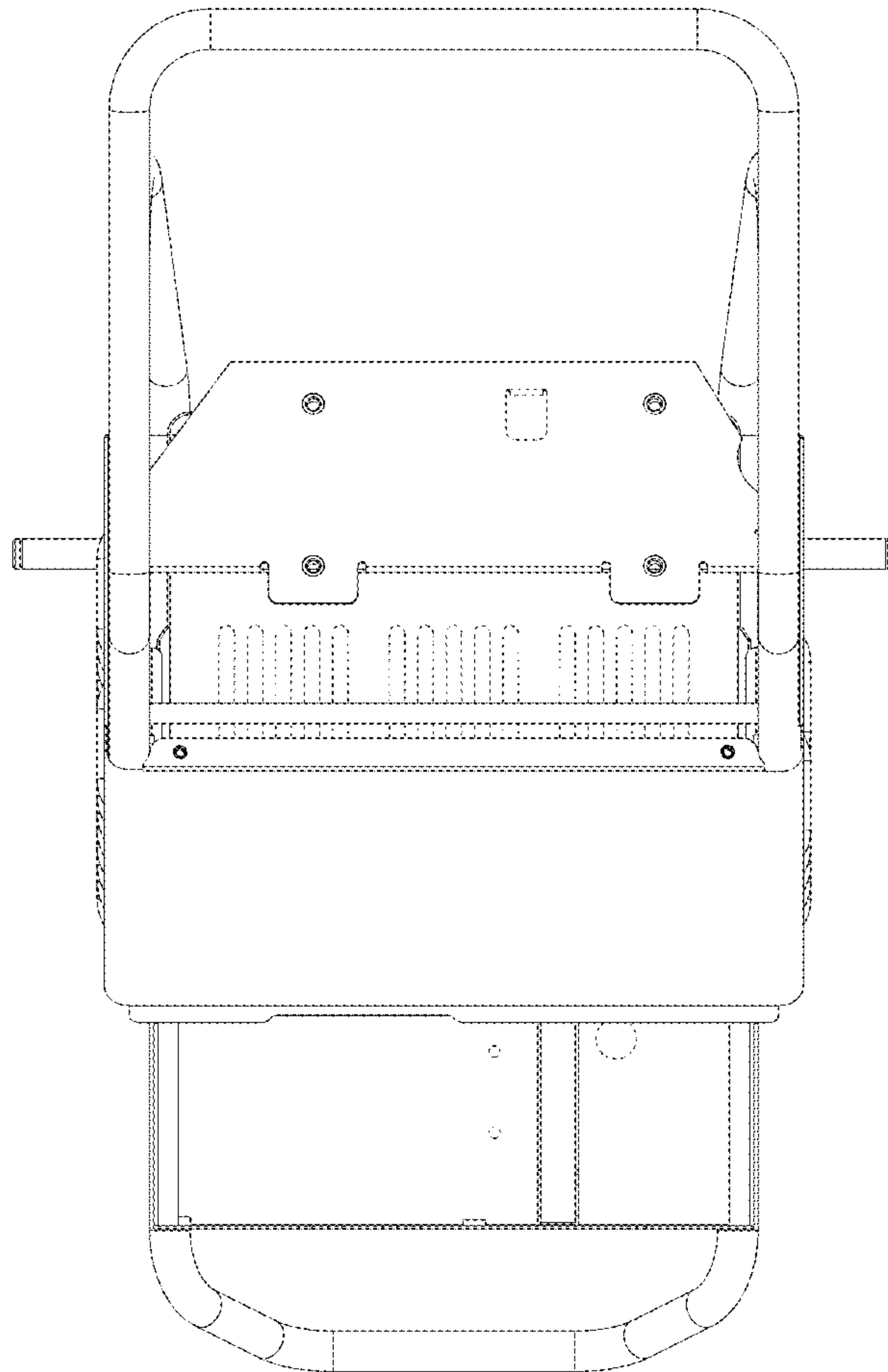


FIG. 7

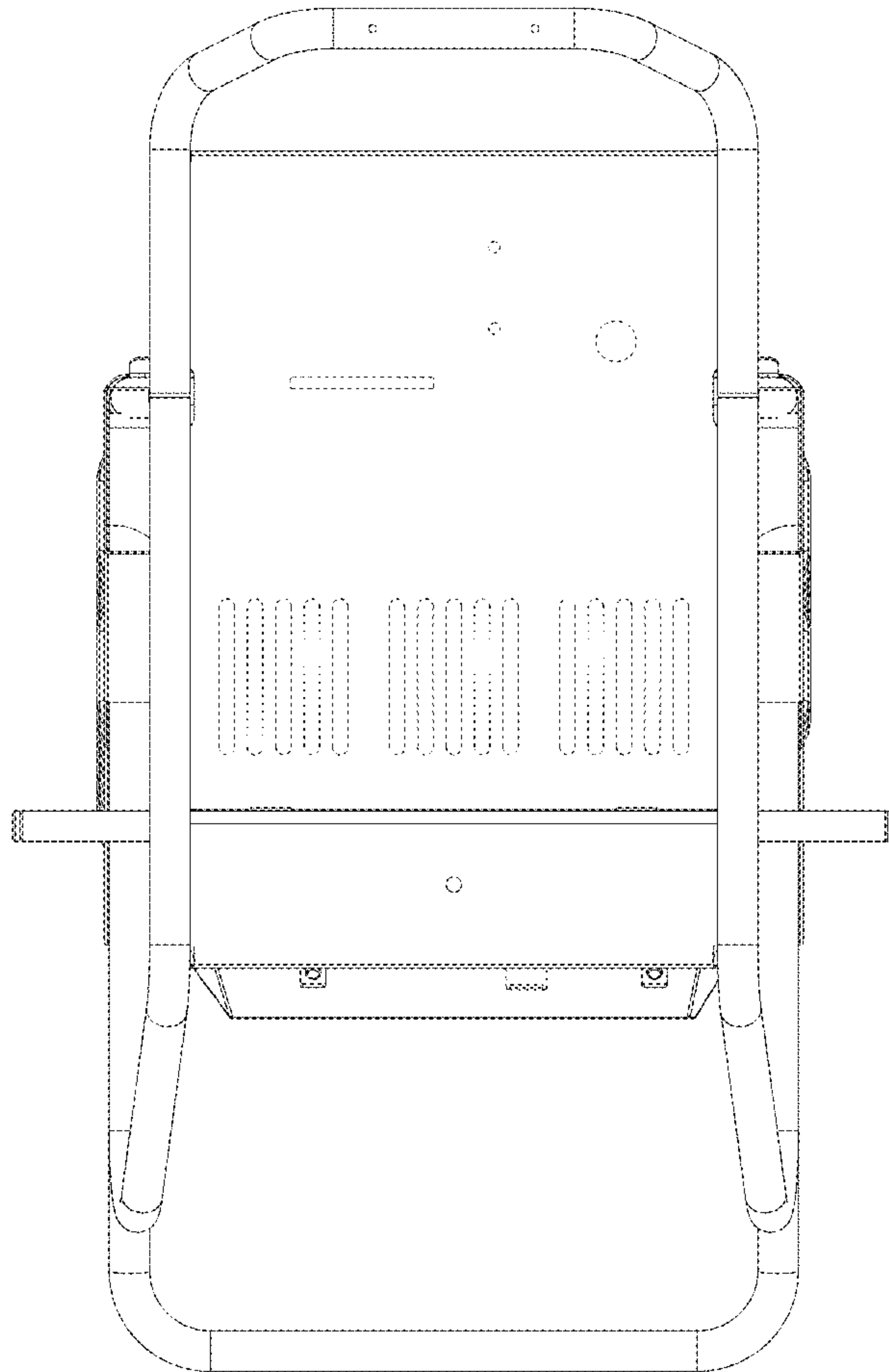


FIG. 8

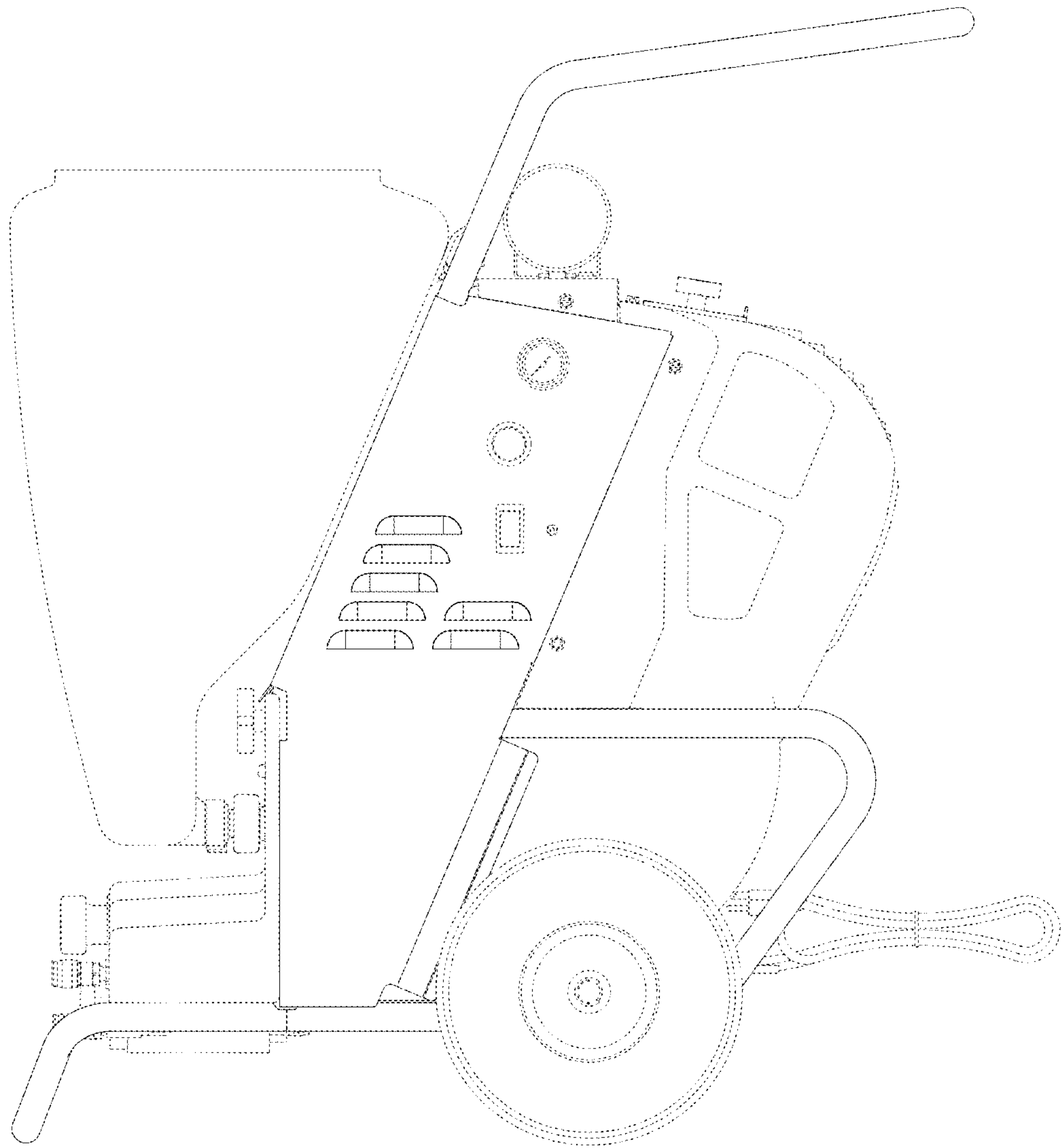


FIG. 9