



US00D829770S

(12) **United States Design Patent** (10) **Patent No.:** **US D829,770 S**
Gasman et al. (45) **Date of Patent:** **** Oct. 2, 2018**

(54) **VOLUTE CASING FOR A PUMP**

(71) Applicant: **Sulzer Management AG**, Winterthur (CH)

(72) Inventors: **Teemu Gasman**, Kotka (FI); **Matti Koivikko**, Kotka (FI); **Sami Virtanen**, Kotka (FI)

(73) Assignee: **SULZER MANAGEMENT AG**, Winterthur (CH)

(**) Term: **15 Years**

(21) Appl. No.: **29/551,960**

(22) Filed: **Jan. 19, 2016**

(30) **Foreign Application Priority Data**

Aug. 20, 2015 (EM) 002757914

(51) **LOC (11) Cl.** **15-02**

(52) **U.S. Cl.**
USPC **D15/7**

(58) **Field of Classification Search**
USPC D15/7-9; D23/231, 232, 225; 417/60, 417/235, 265, 321, 355, 358, 363, 359,
(Continued)

(56) **References Cited**

U.S. PATENT DOCUMENTS

1,337,916 A * 4/1920 Julinsen F04D 7/02
277/367

D202,145 S * 8/1965 Schroeder et al. D15/7
(Continued)

FOREIGN PATENT DOCUMENTS

DE 2602624 A1 7/1976

DE 102009010927 A1 9/2010
(Continued)

Primary Examiner — Ralf Seifert

(74) *Attorney, Agent, or Firm* — Global IP Counselors, LLP

(57) **CLAIM**

The ornamental design for a volute casing for a pump, as shown and described.

DESCRIPTION

FIG. 1 is a perspective view of a volute casing for a pump showing the first embodiment of our new design;
 FIG. 2 is a first side elevational view of the volute casing illustrated in FIG. 1;
 FIG. 3 is a second side elevational view of the volute casing illustrated in FIG. 1;
 FIG. 4 is a first end elevational view of the volute casing illustrated in FIG. 1;
 FIG. 5 is a second end elevational view of the volute casing illustrated in FIG. 1;
 FIG. 6 is a bottom plan view of the volute casing illustrated in FIG. 1;
 FIG. 7 is a top plan view of the volute casing illustrated in FIG. 1;
 FIG. 8 is a perspective view of a volute casing for a pump showing the second embodiment of our new design;
 FIG. 9 is a first side elevational view of the volute casing illustrated in FIG. 8;
 FIG. 10 is a second side elevational view of the volute casing illustrated in FIG. 8;
 FIG. 11 is a first end elevational view of the volute casing illustrated in FIG. 8;
 FIG. 12 is a second end elevational view of the volute casing illustrated in FIG. 8;
 FIG. 13 is a bottom plan view of the volute casing illustrated in FIG. 8;
 FIG. 14 is a top plan view of the volute casing illustrated in FIG. 8;
 FIG. 15 is a perspective view of a volute casing for a pump showing the third embodiment of our new design;
 FIG. 16 is a first side elevational view of the volute casing illustrated in FIG. 15;
 FIG. 17 is a second side elevational view of the volute casing illustrated in FIG. 15;

(Continued)

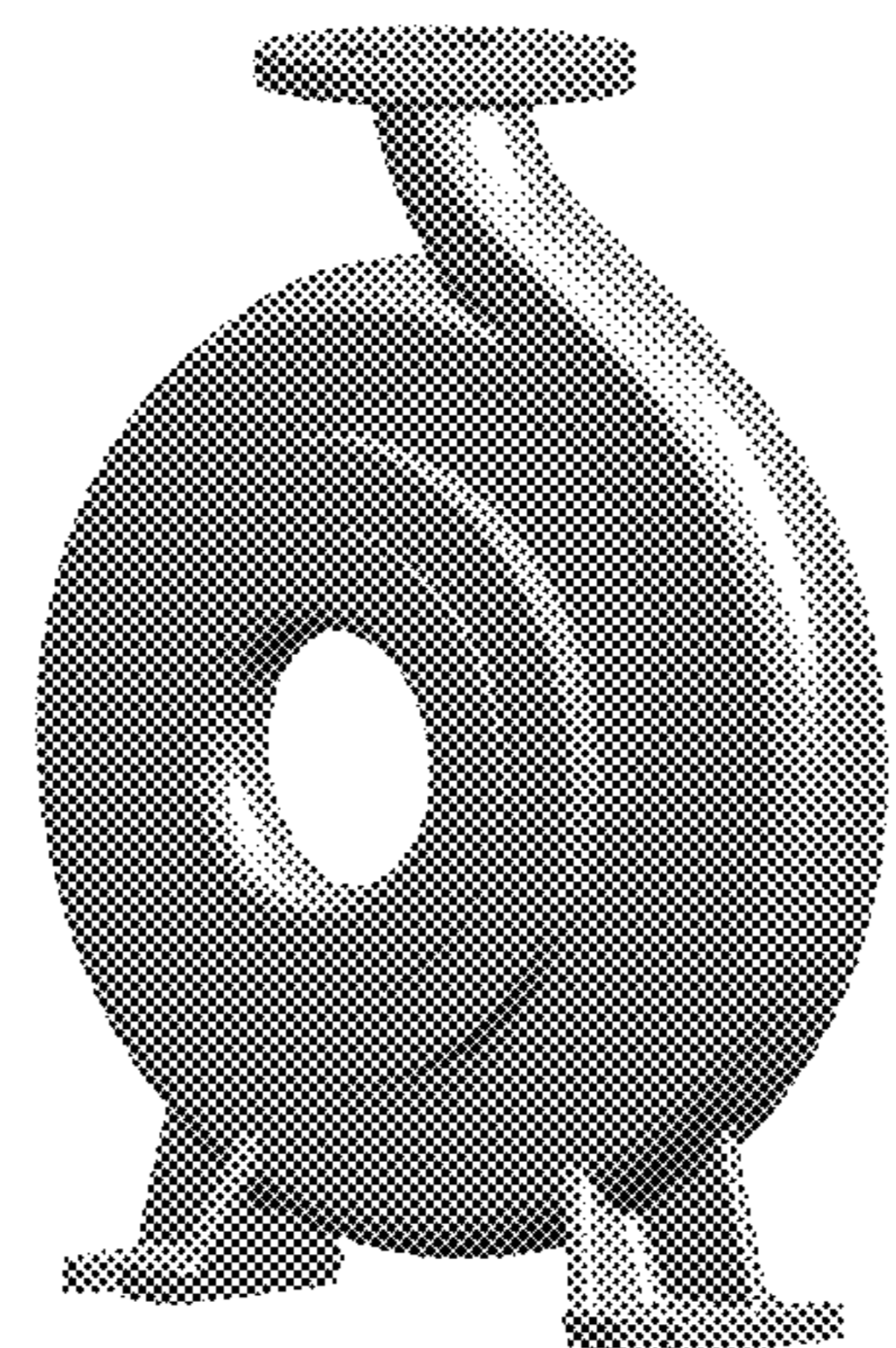


FIG. 18 is a first end elevational view of the volute casing illustrated in FIG. 15;
 FIG. 19 is a second end elevational view of the volute casing illustrated in FIG. 15;
 FIG. 20 is a bottom plan view of the volute casing illustrated in FIG. 15;
 FIG. 21 is a top plan view of the volute casing illustrated in FIG. 15;
 FIG. 22 is a perspective view of a volute casing for a pump showing the fourth embodiment of our new design;
 FIG. 23 is a first side elevational view of the volute casing illustrated in FIG. 22;
 FIG. 24 is a second side elevational view of the volute casing illustrated in FIG. 22;
 FIG. 25 is a first end elevational view of the volute casing illustrated in FIG. 22;
 FIG. 26 is a second end elevational view of the volute casing illustrated in FIG. 22;
 FIG. 27 is a bottom plan view of the volute casing illustrated in FIG. 22;
 FIG. 28 is a top plan view of the volute casing illustrated in FIG. 22;
 FIG. 29 is a perspective view of a volute casing for a pump showing the fifth embodiment of our new design;
 FIG. 30 is a first side elevational view of the volute casing illustrated in FIG. 29;
 FIG. 31 is a second side elevational view of the volute casing illustrated in FIG. 29;
 FIG. 32 is a first end elevational view of the volute casing illustrated in FIG. 29;
 FIG. 33 is a second end elevational view of the volute casing illustrated in FIG. 29;
 FIG. 34 is a bottom plan view of the volute casing illustrated in FIG. 29;
 FIG. 35 is a top plan view of the volute casing illustrated in FIG. 29;
 FIG. 36 is a perspective view of a volute casing for a pump showing the sixth embodiment of our new design;
 FIG. 37 is a first side elevational view of the volute casing illustrated in FIG. 36;
 FIG. 38 is a second side elevational view of the volute casing illustrated in FIG. 36;
 FIG. 39 is a first end elevational view of the volute casing illustrated in FIG. 36;
 FIG. 40 is a second end elevational view of the volute casing illustrated in FIG. 36;
 FIG. 41 is a bottom plan view of the volute casing illustrated in FIG. 36; and,

FIG. 42 is a top plan view of the volute casing illustrated in FIG. 36.

1 Claim, 42 Drawing Sheets

(58) **Field of Classification Search**

USPC 417/410.1, 415-416, 405, 900; 60/408, 60/412; 184/26-37; 415/140-147, 127; 123/495, 509; 137/565.34
 CPC F02M 37/04; F02M 37/14; F04D 29/46; F04D 29/4286
 See application file for complete search history.

(56) **References Cited**

U.S. PATENT DOCUMENTS

D229,236	S *	11/1973	Doolin	D15/7
D263,839	S *	4/1982	Somme	D15/7
D285,447	S *	9/1986	Dudeck	D15/7
D294,266	S *	2/1988	Dudeck	D15/7
4,900,222	A	2/1990	Meng et al.		
D381,339	S *	7/1997	Wightley	D15/7
6,152,719	A *	11/2000	Nelik	F04C 2/086 418/201.1
D608,677	S *	1/2010	Glaves	D15/7
D609,248	S *	2/2010	Foreman	D15/7
D609,250	S *	2/2010	Liu	D15/7
D610,165	S *	2/2010	Glaves	D15/7
D616,902	S *	6/2010	Foreman	D15/7
8,790,077	B2 *	7/2014	Burgess	F04D 29/4286 415/127
9,022,723	B2 *	5/2015	Leininger	G01F 13/001 415/62
9,057,385	B2 *	6/2015	Burgess	F04D 29/428
D740,327	S *	10/2015	Naruoka	D15/5
D742,420	S *	11/2015	Sullivan	D15/7
D767,637	S *	9/2016	Pappathopoulos	D15/7
D780,226	S *	2/2017	Nelson	D15/7
D791,840	S *	7/2017	Gebert	D15/7
D807,924	S *	1/2018	Wilkie	D15/7
2007/0014662	A1 *	1/2007	Burgess	F04D 29/4286 415/197
2009/0068002	A1 *	3/2009	Burgess	F04D 7/04 415/196
2014/0271162	A1	9/2014	Karl et al.		

FOREIGN PATENT DOCUMENTS

DE	202009018129	U1	4/2011
EP	1855013	A2	4/2007
GB	2266750	A	11/1993
JP	57124098	A	8/1982
JP	05332300	A	12/1993

* cited by examiner

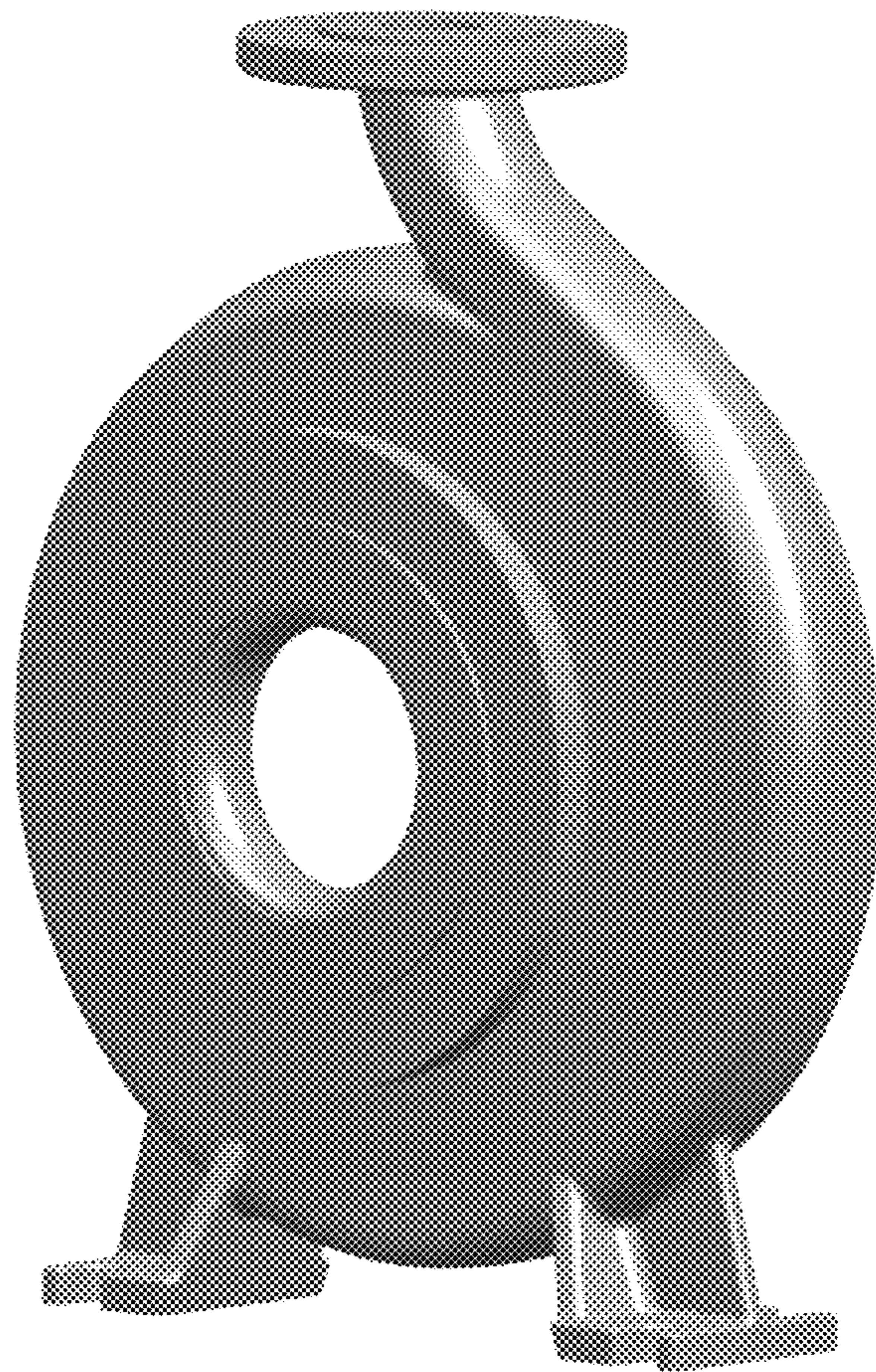


FIG. 1

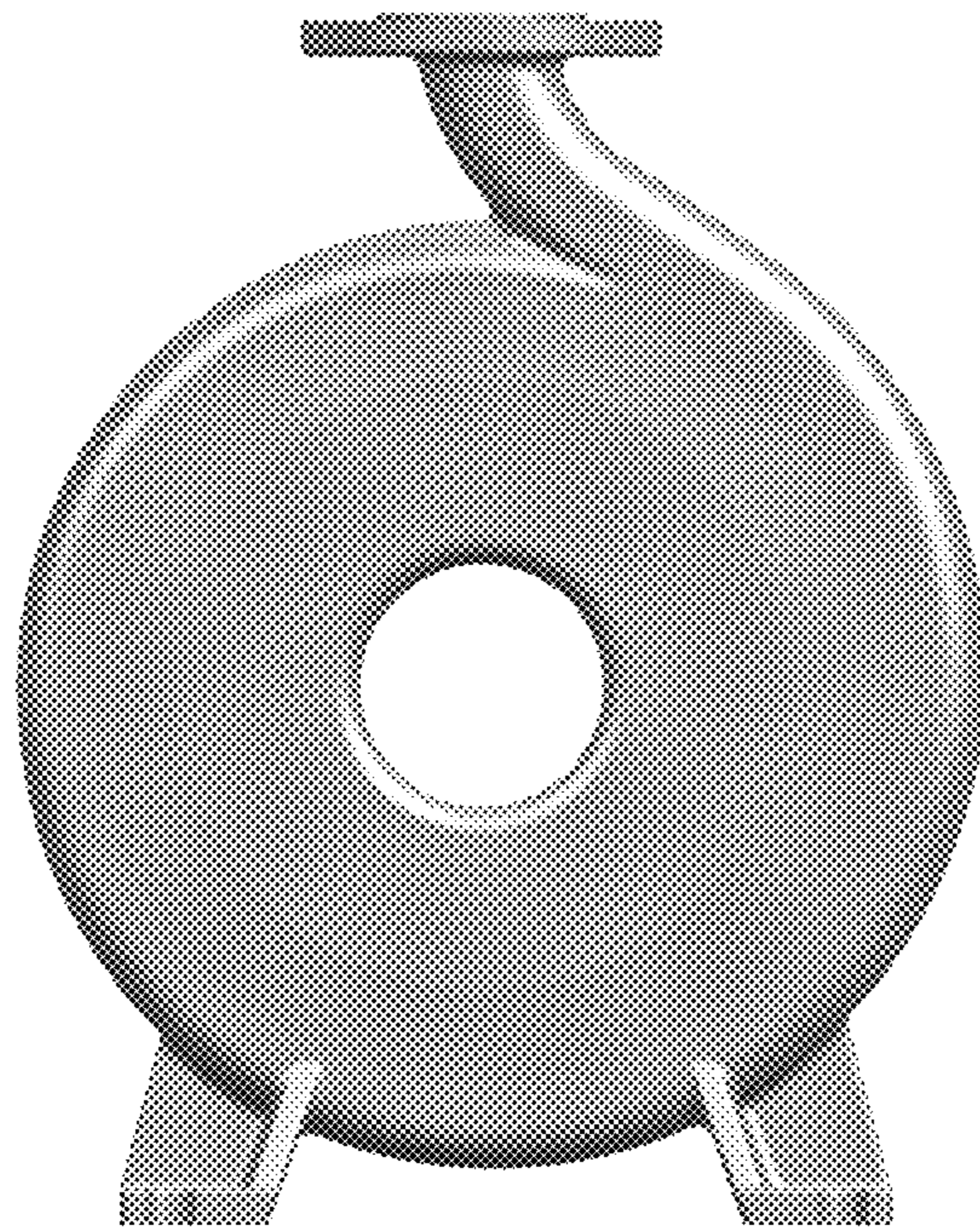


FIG. 2

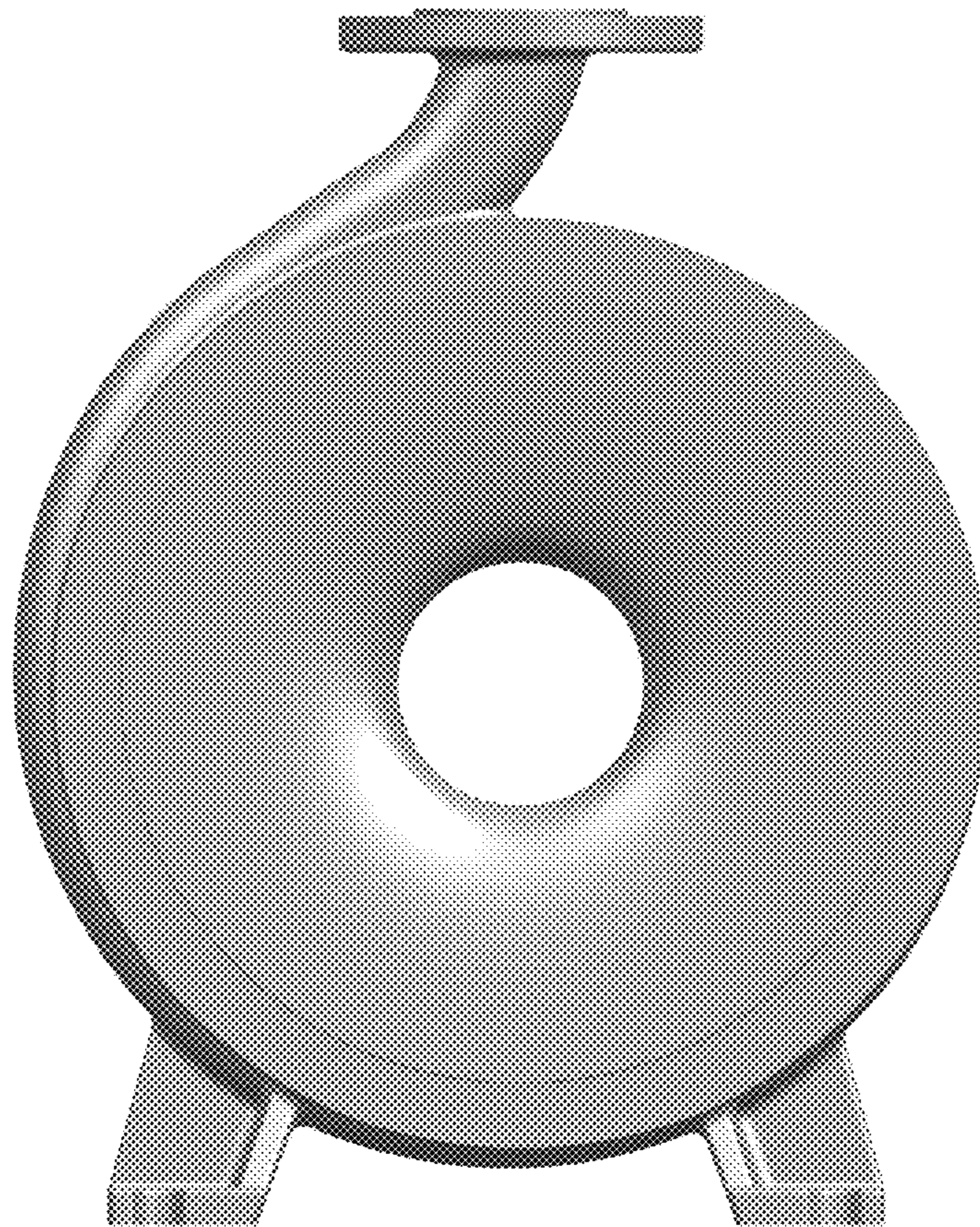


FIG. 3

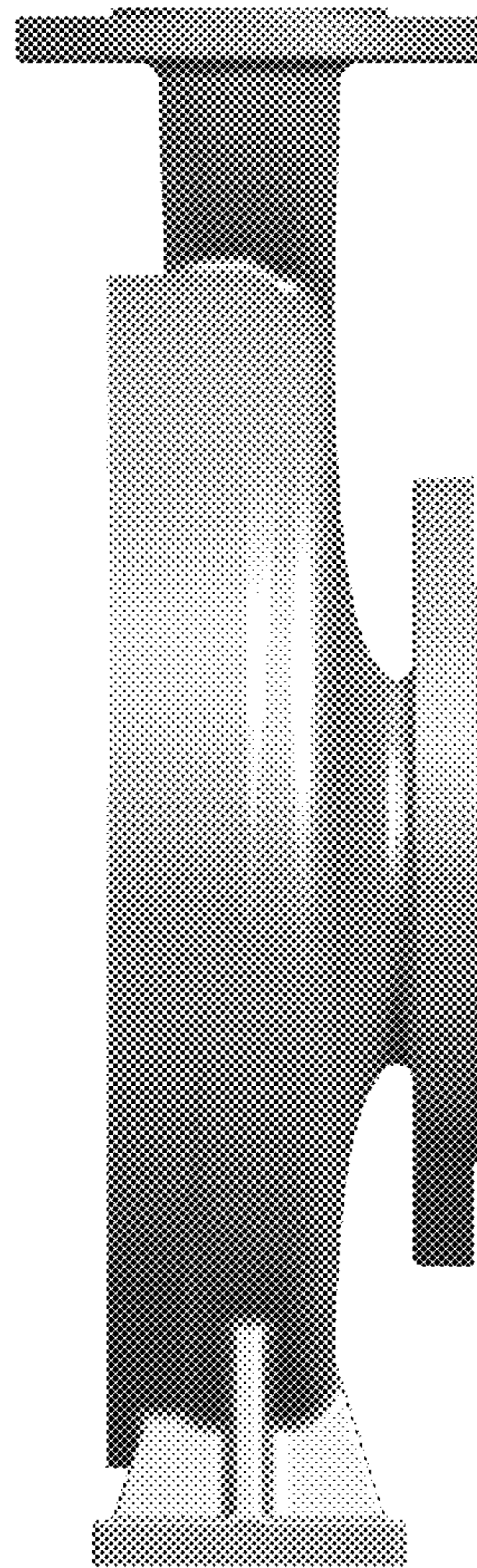


FIG. 4

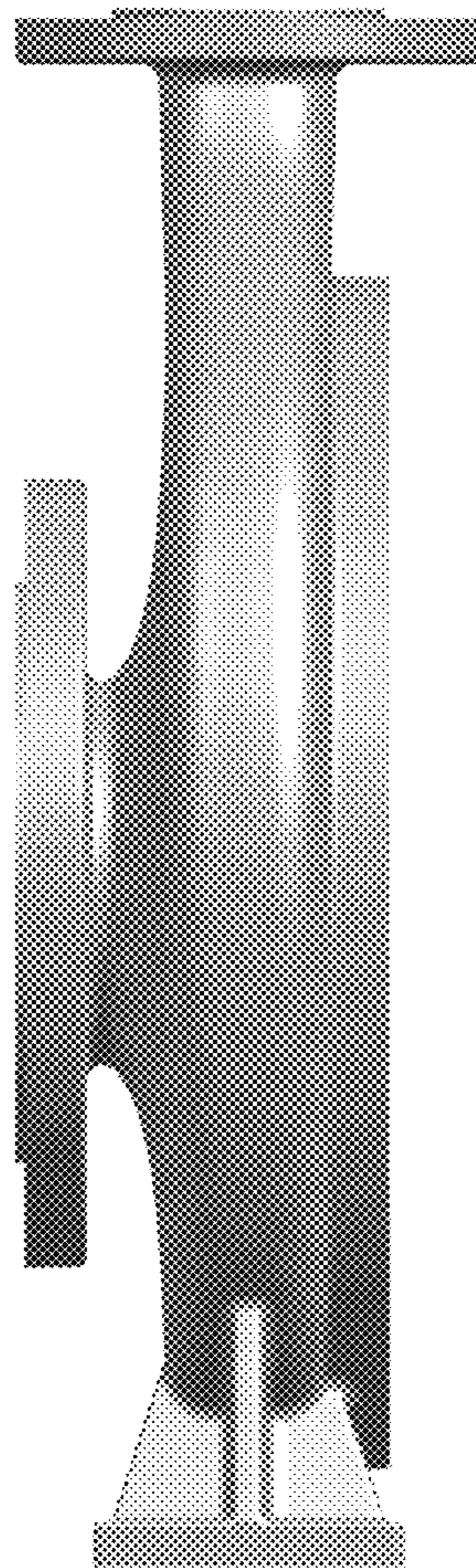


FIG. 5

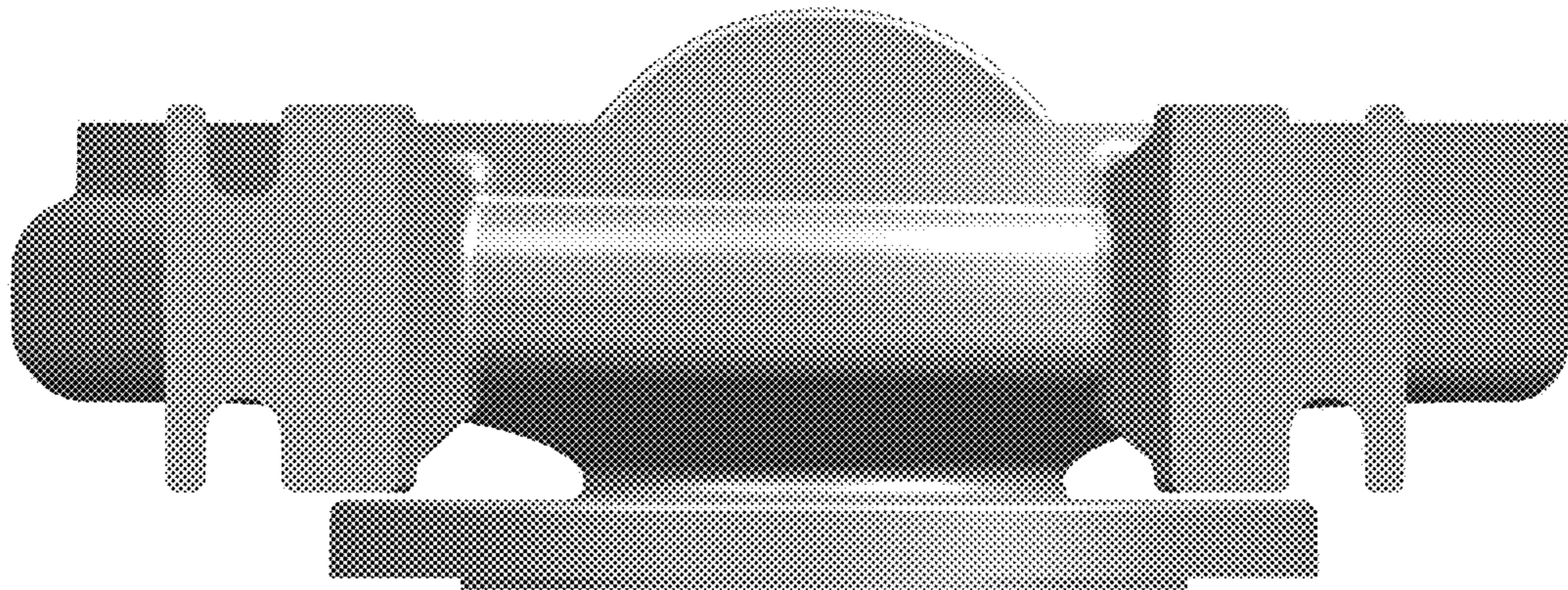


FIG. 6

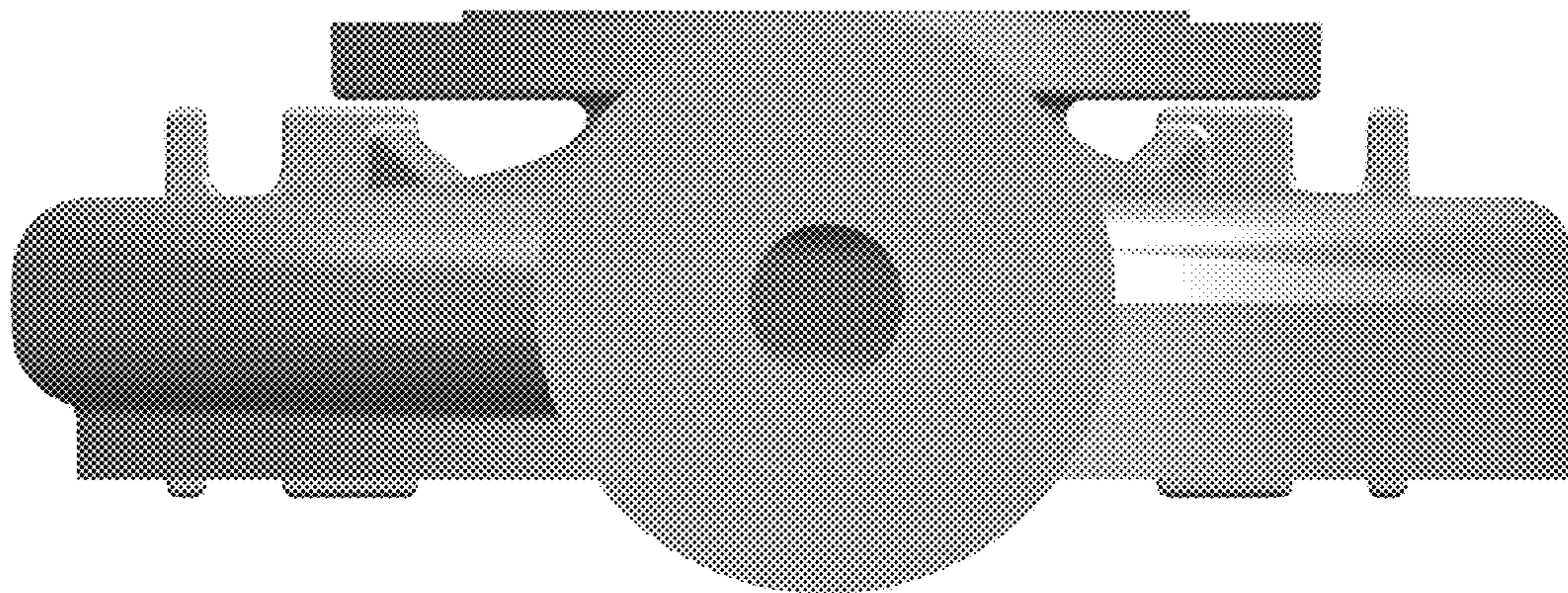


FIG. 7

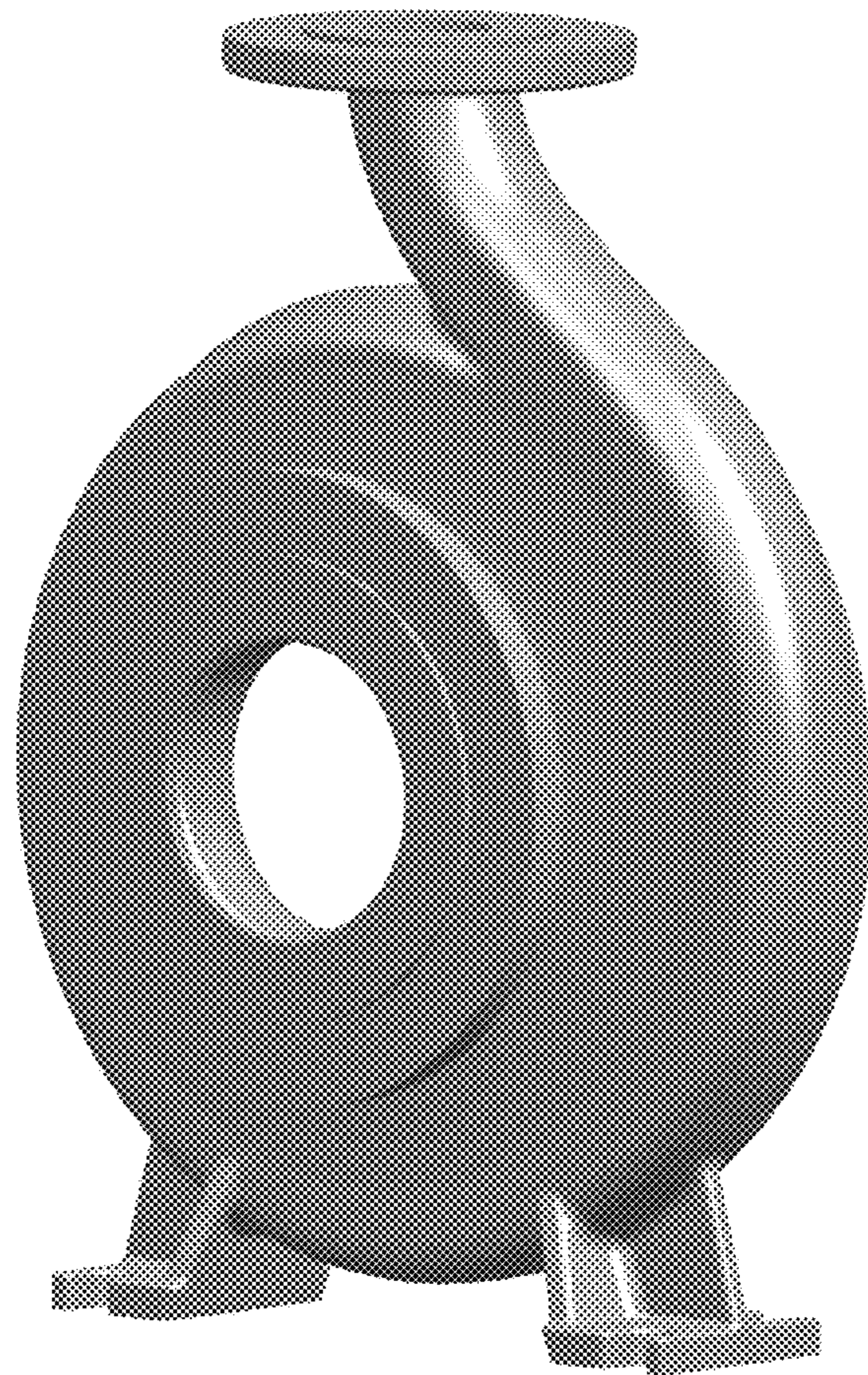


FIG. 8

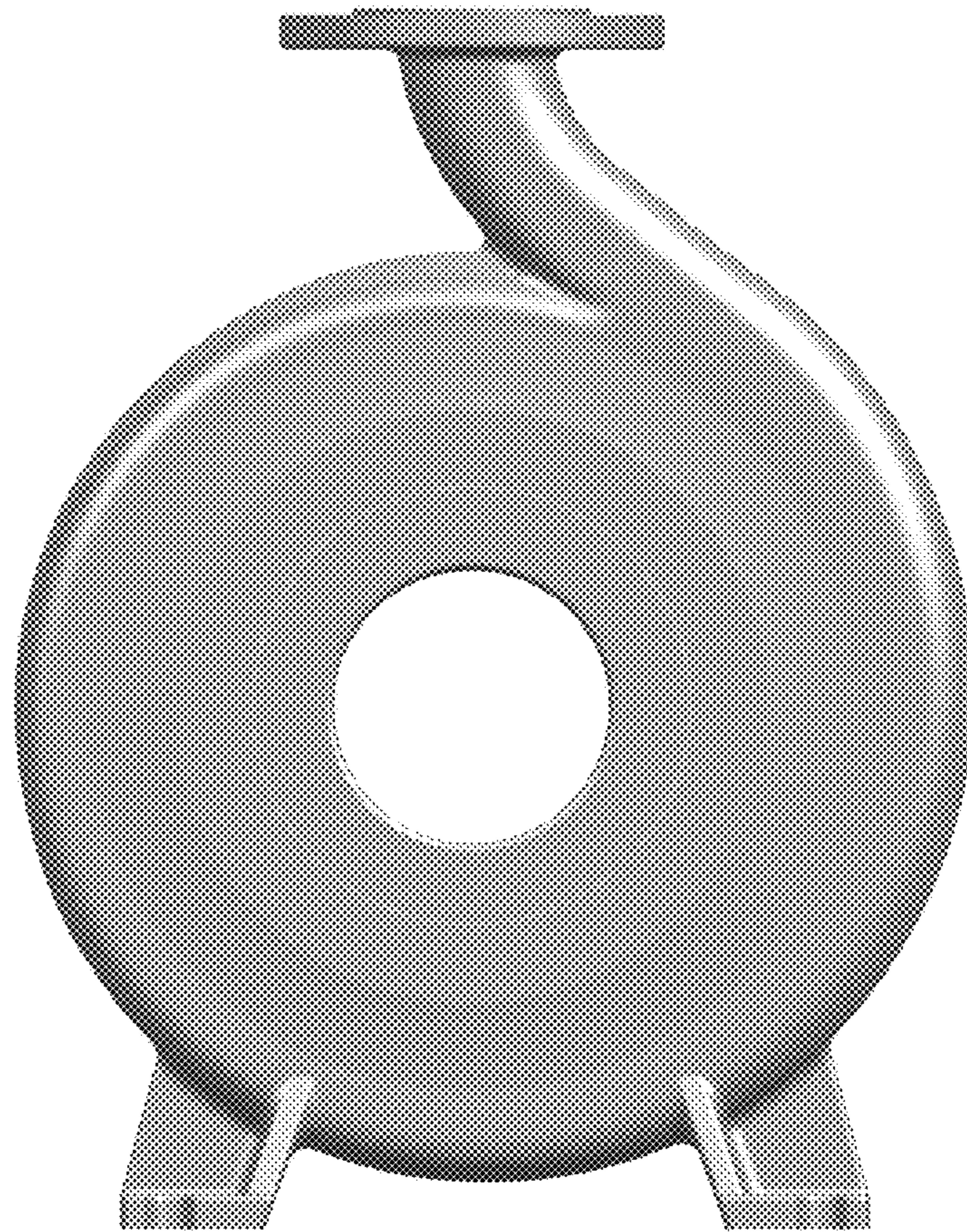


FIG. 9

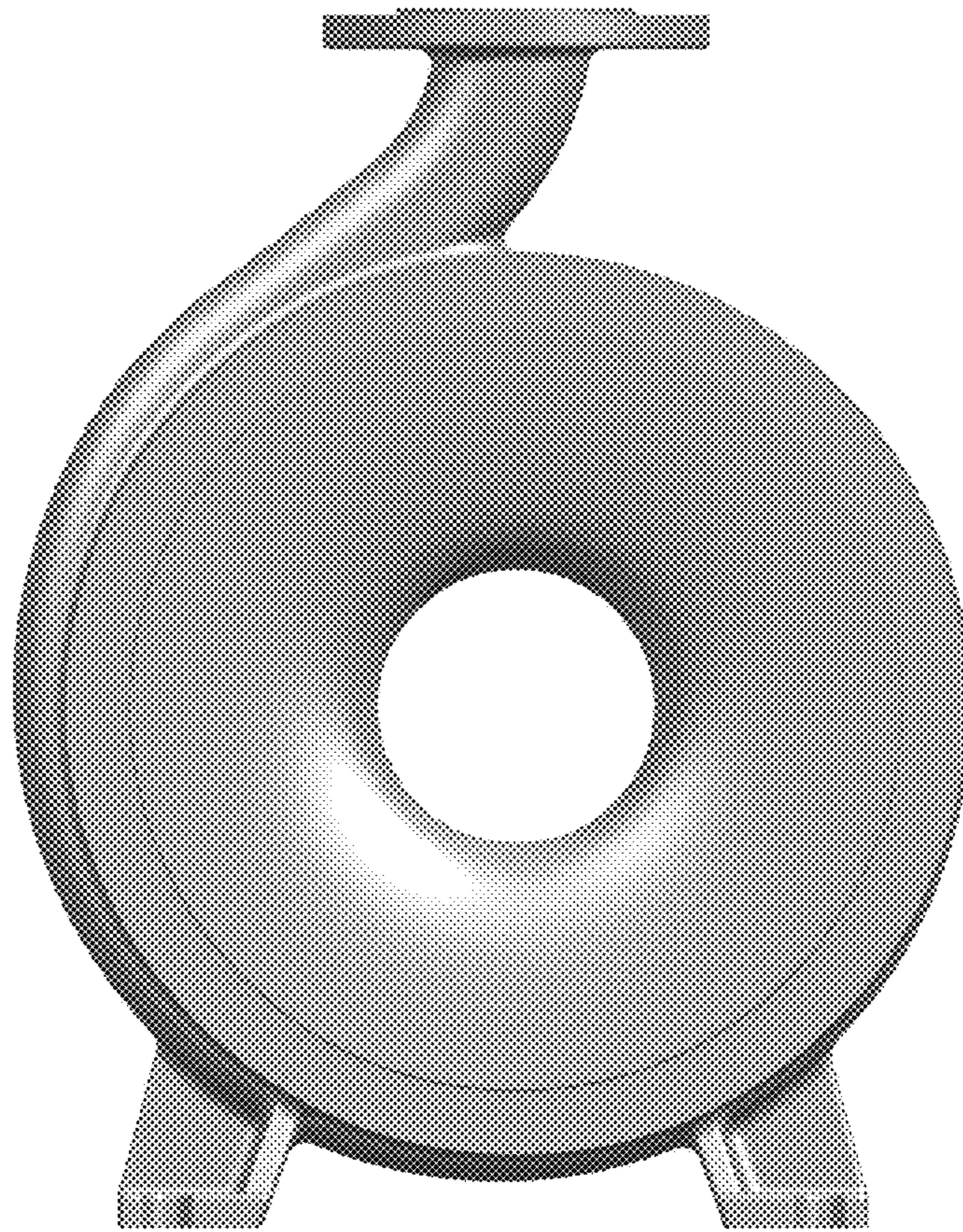


FIG. 10

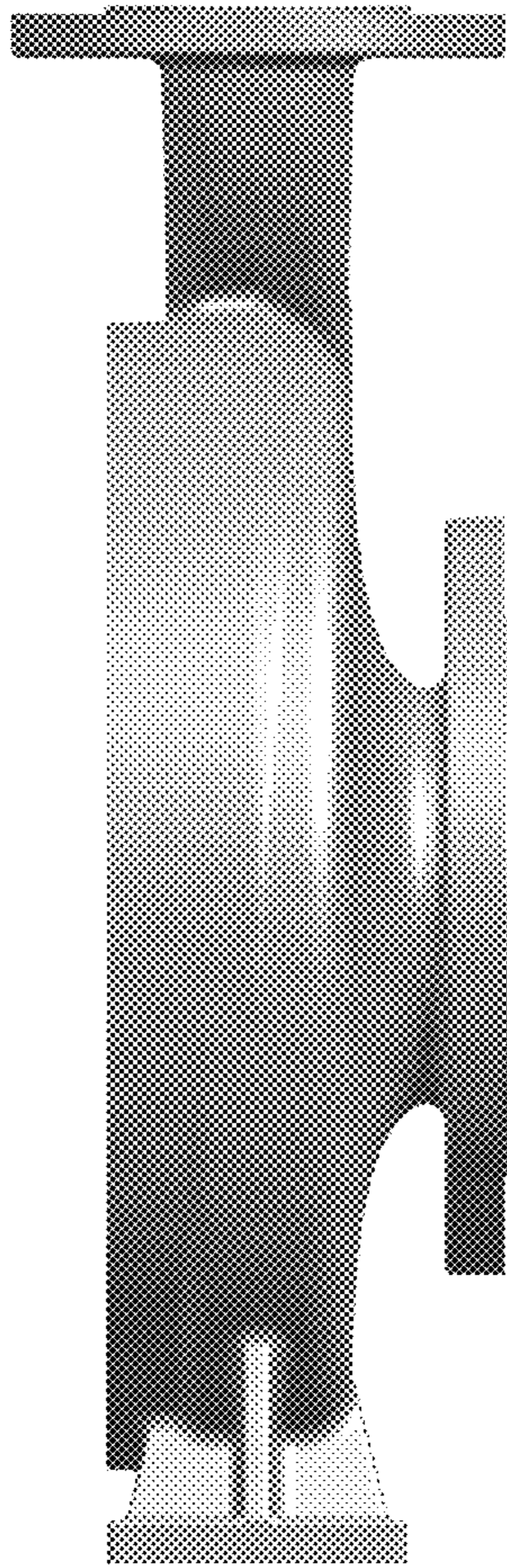


FIG. 11

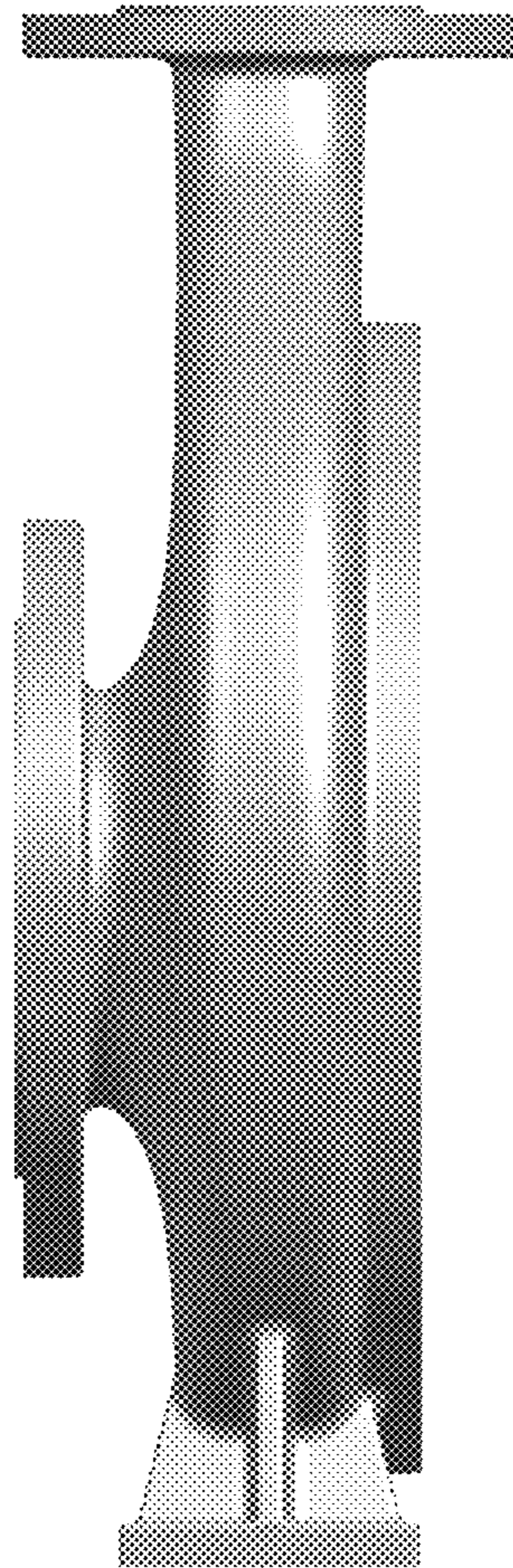


FIG. 12

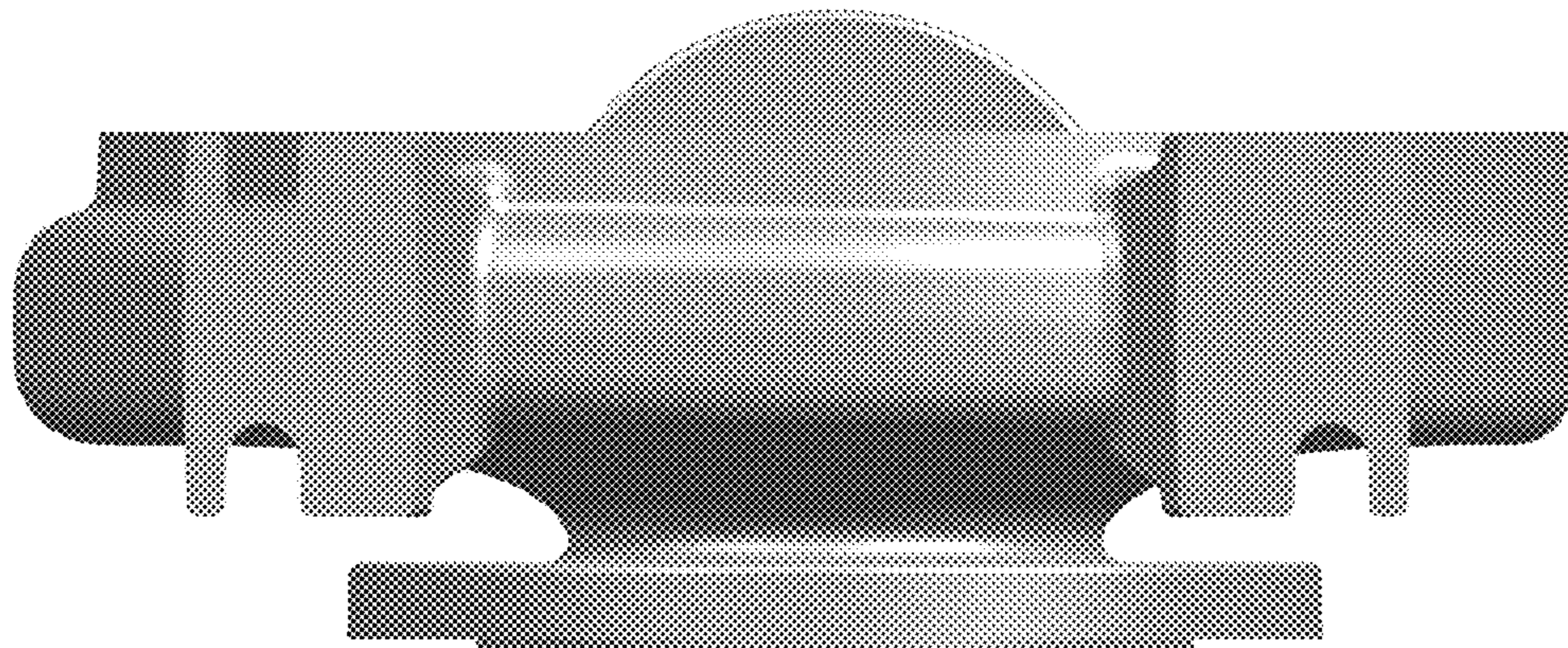


FIG. 13

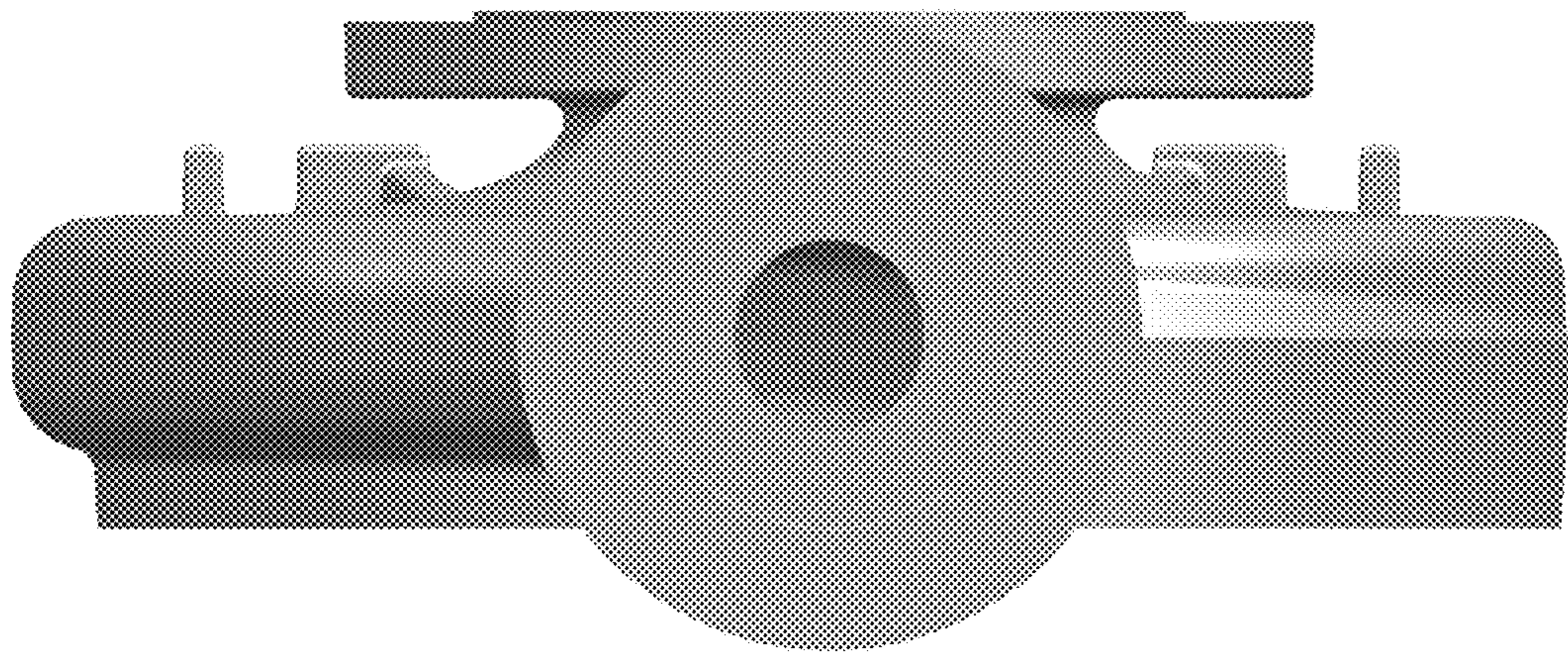


FIG. 14

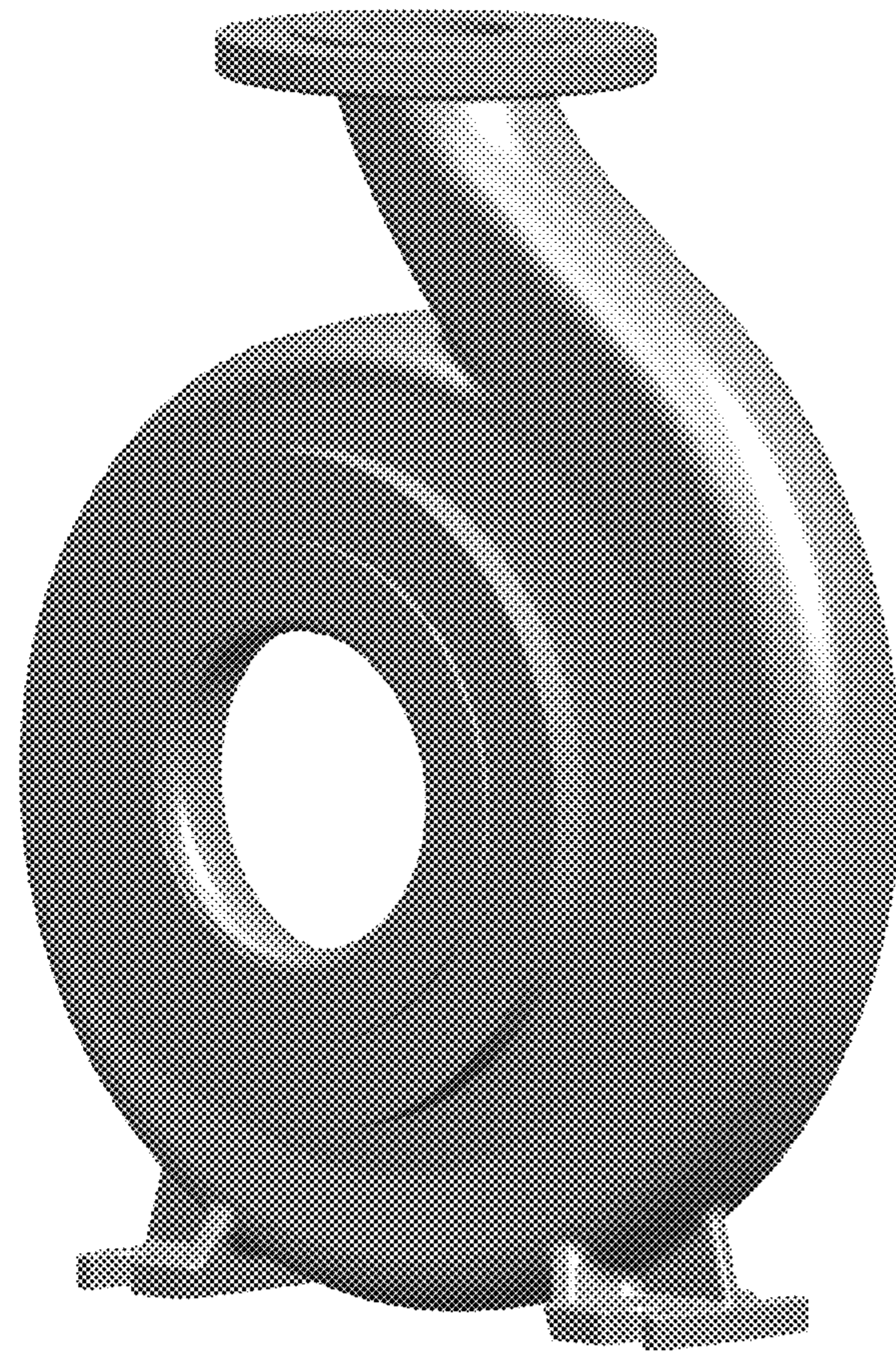


FIG. 15

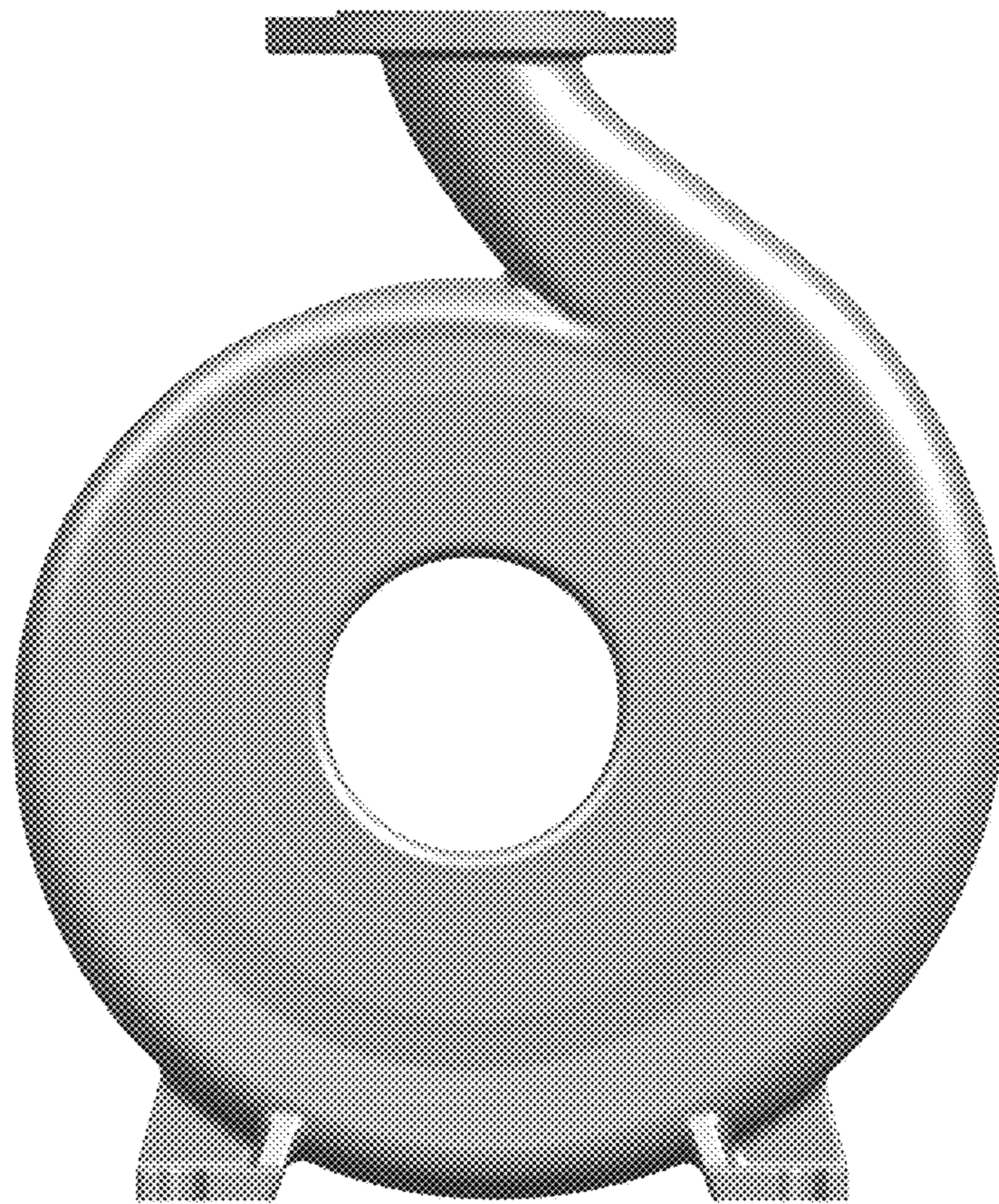


FIG. 16

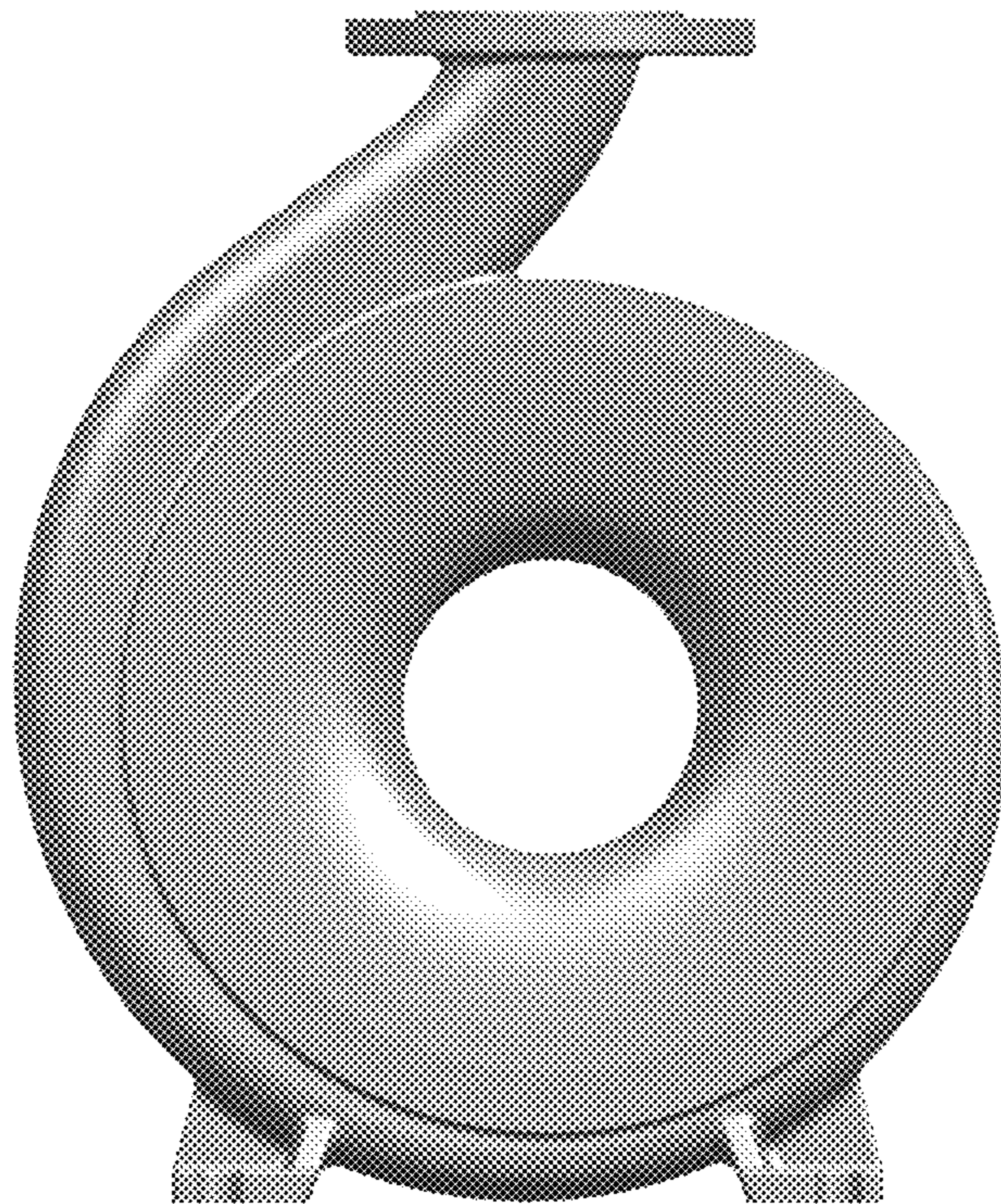


FIG. 17

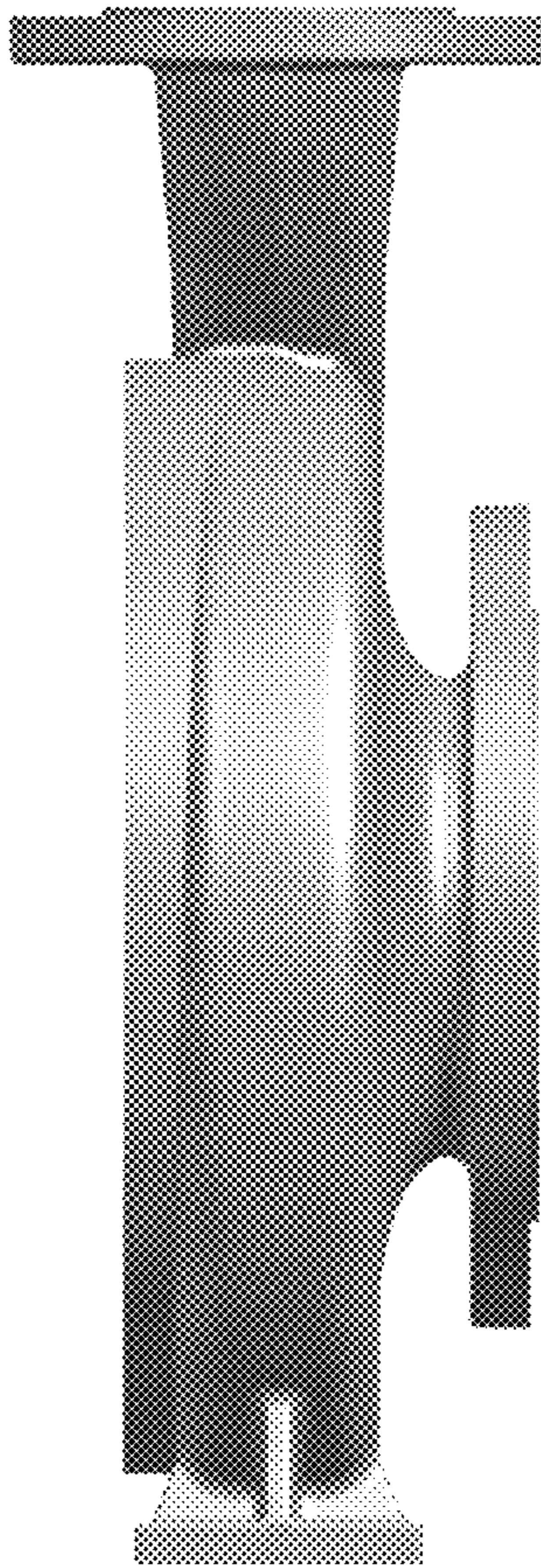


FIG. 18

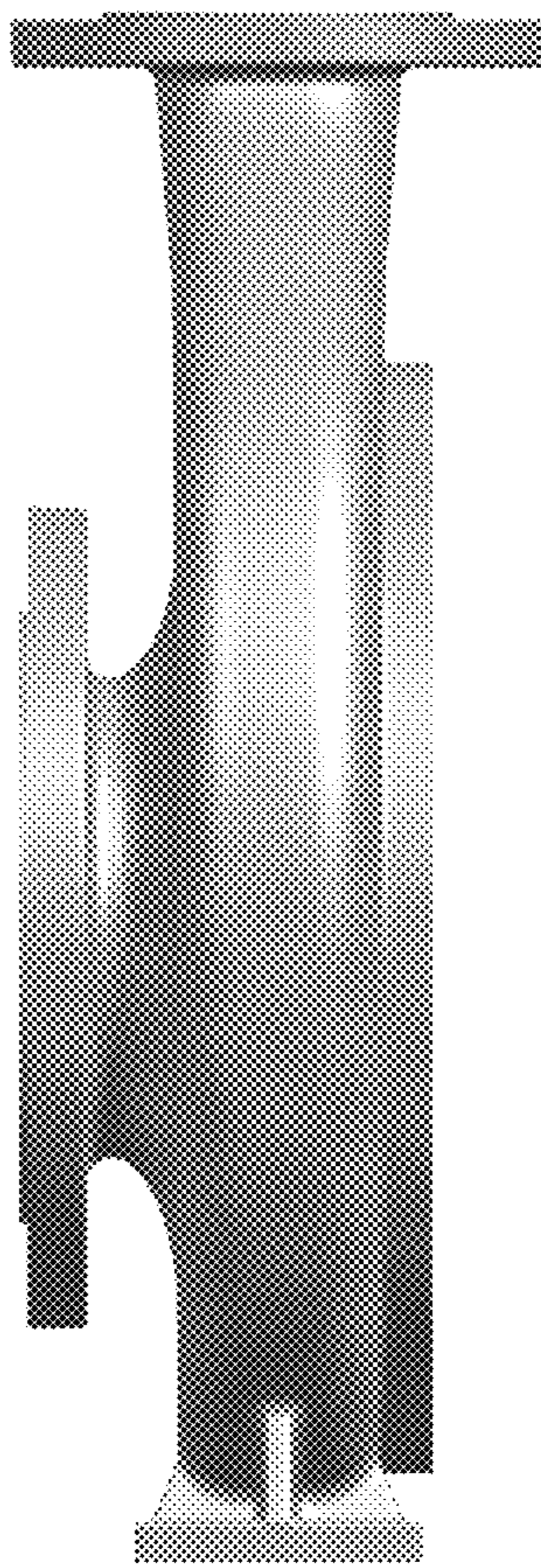


FIG. 19

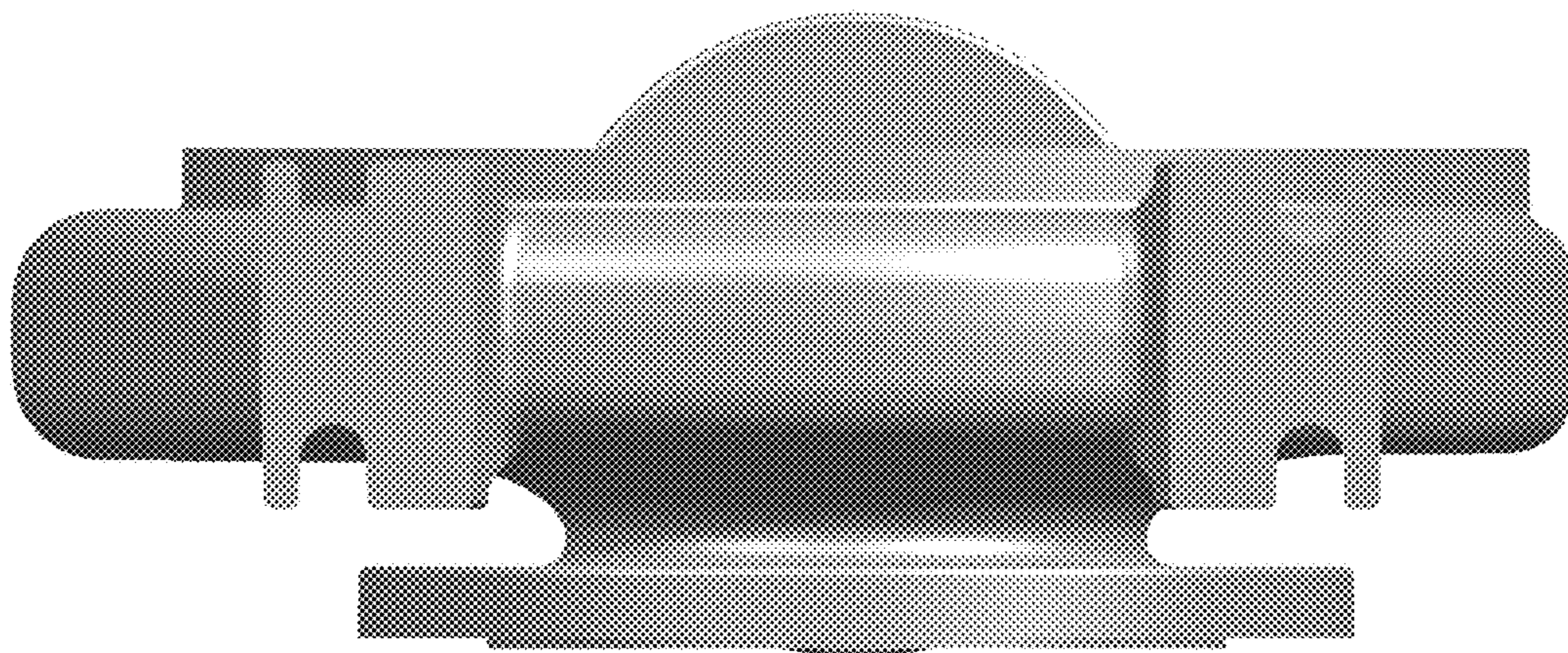


FIG. 20

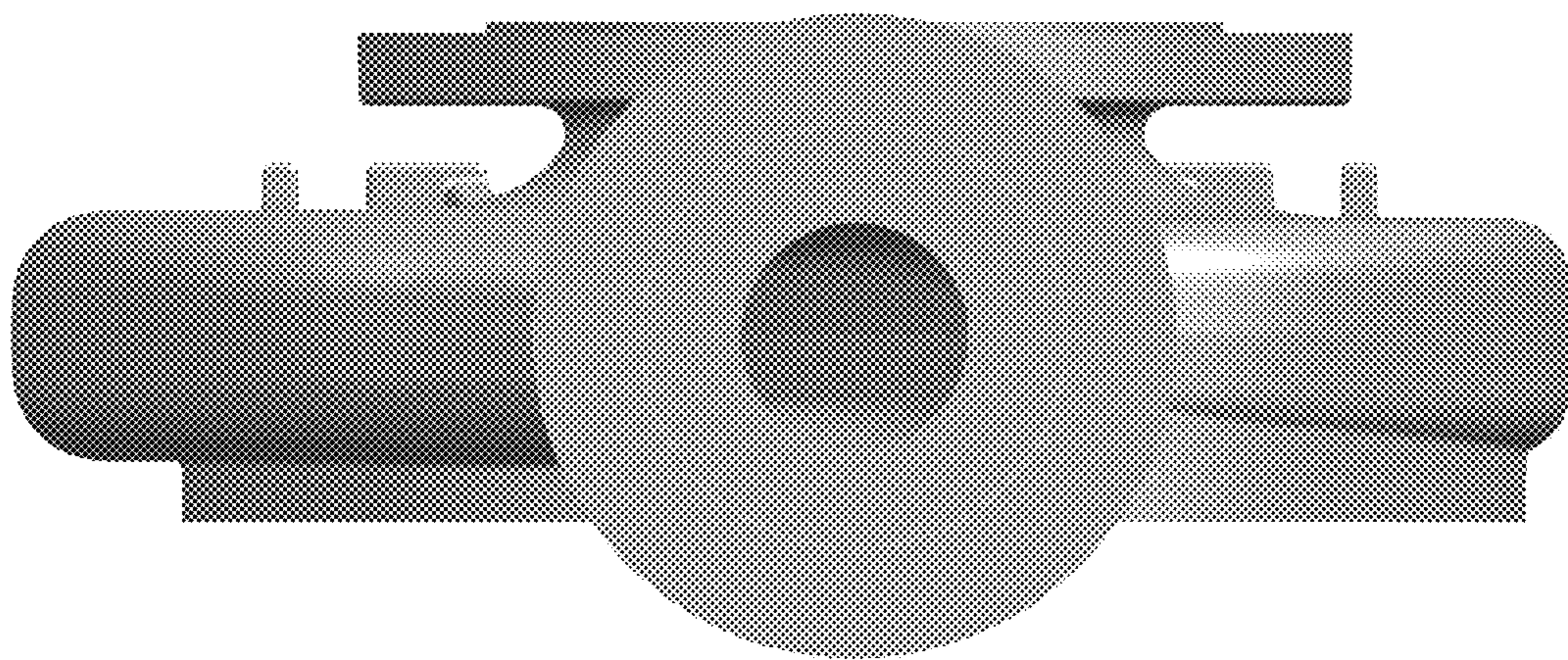


FIG. 21

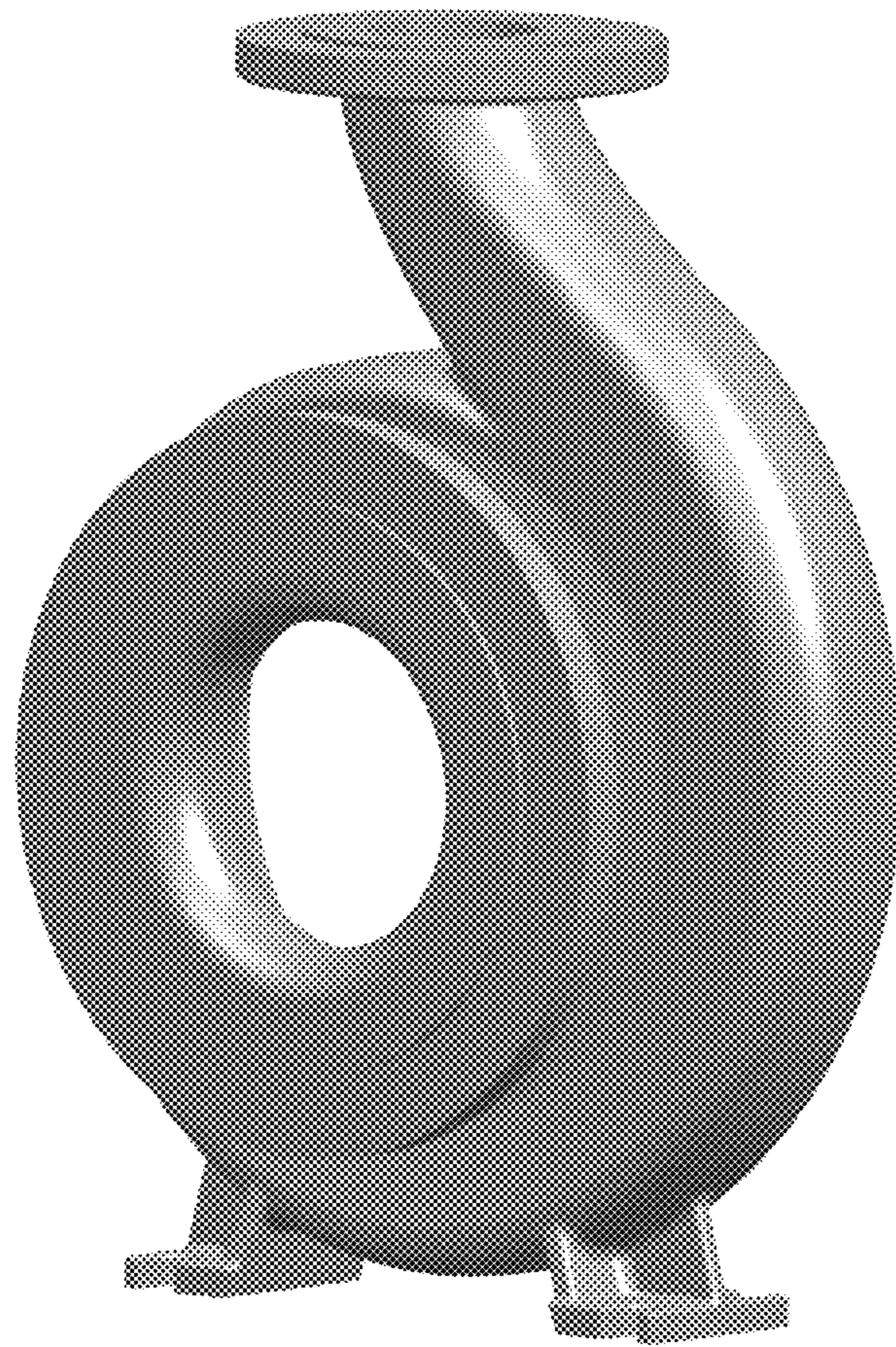


FIG. 22

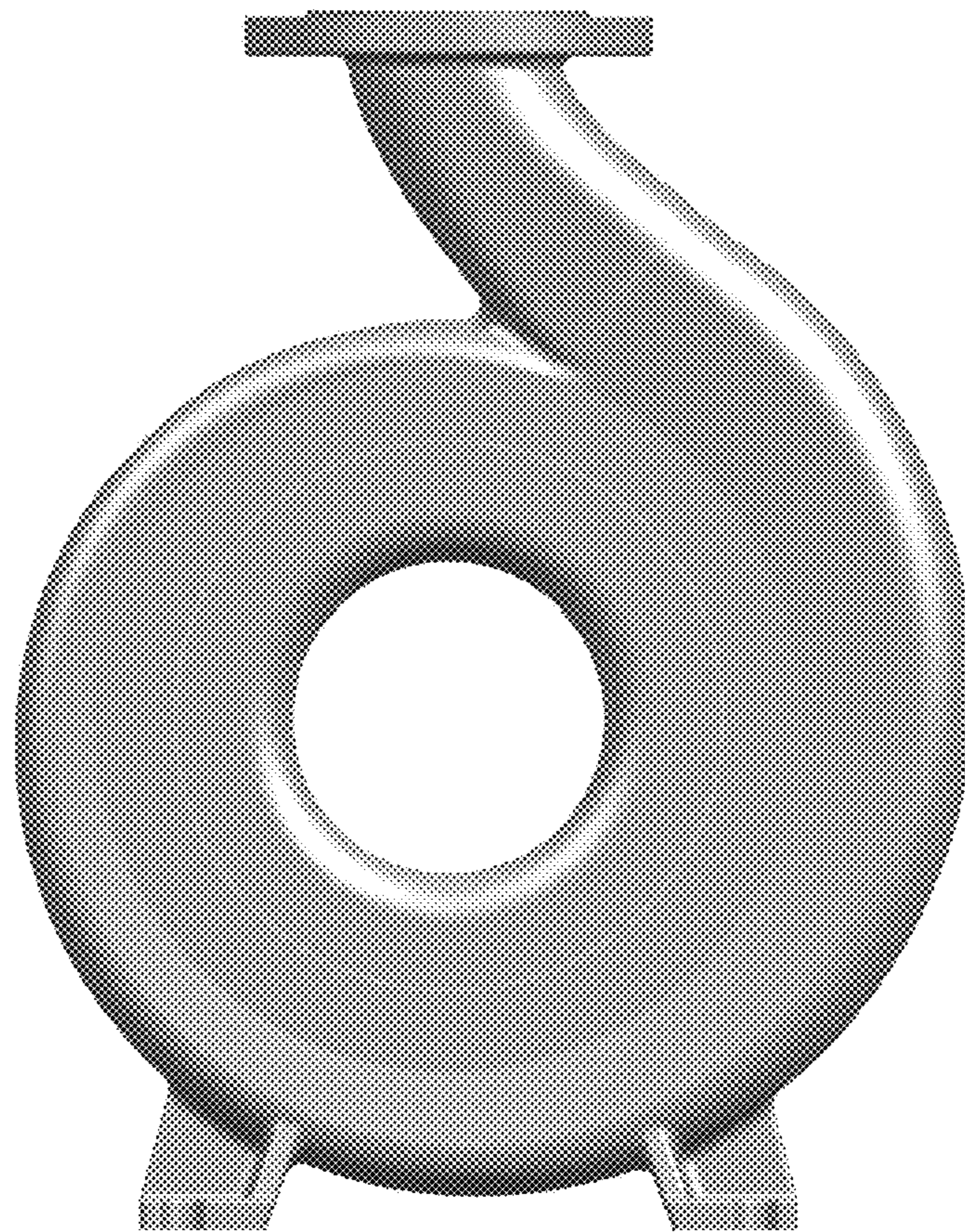


FIG. 23

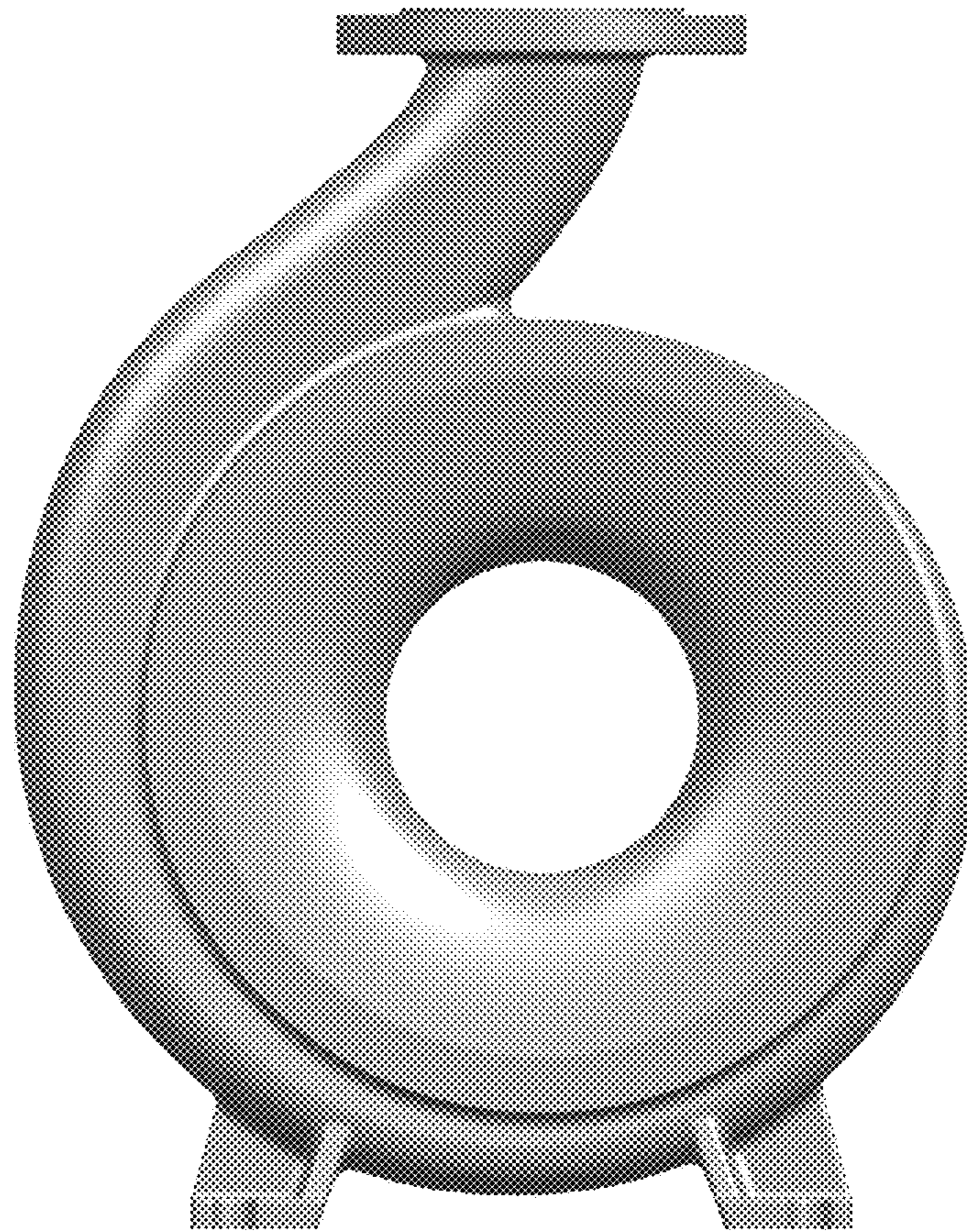


FIG. 24

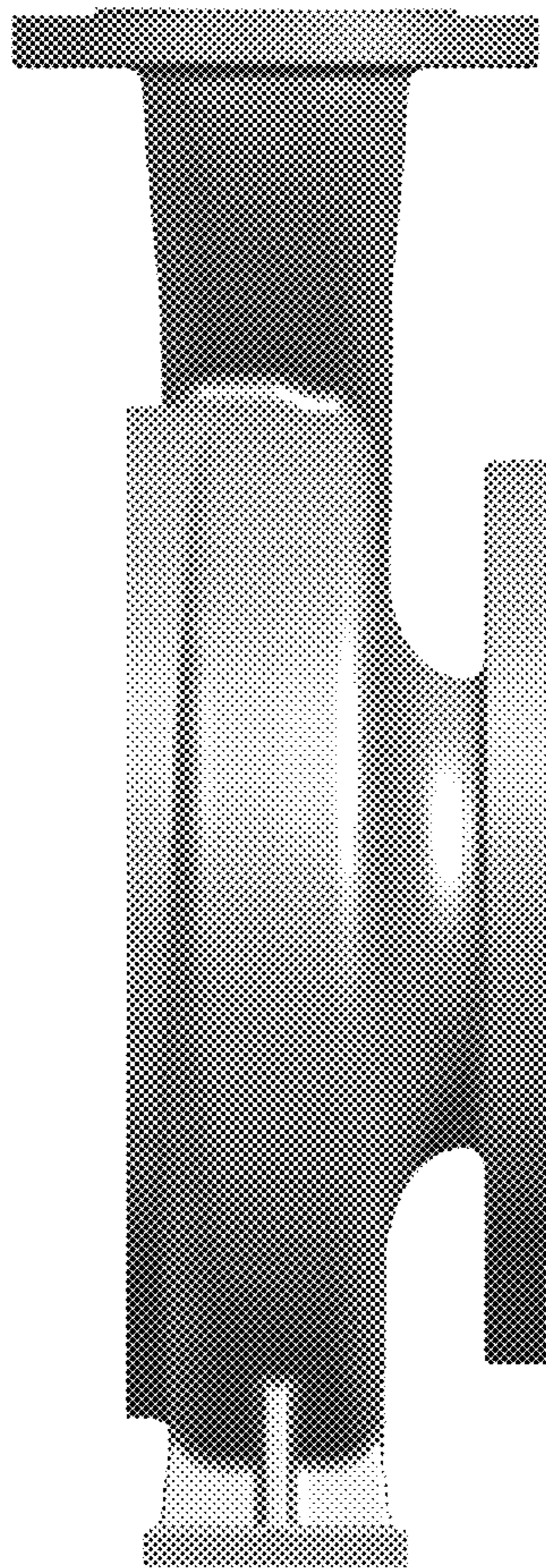


FIG. 25

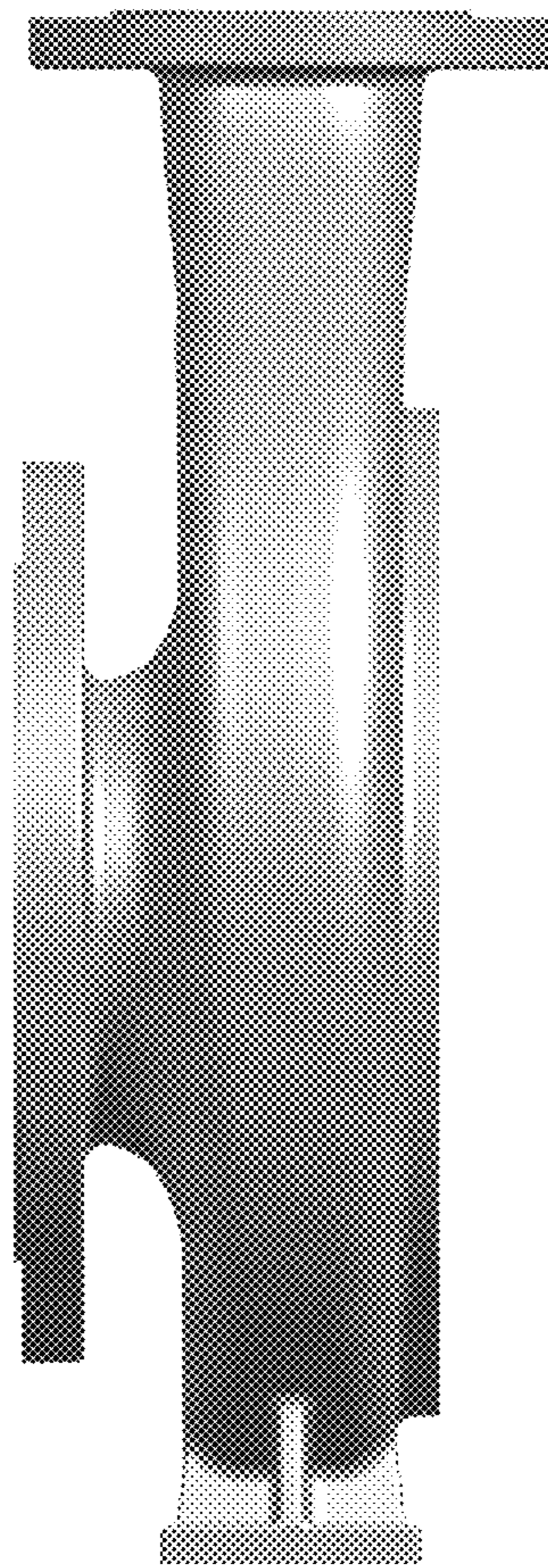


FIG. 26

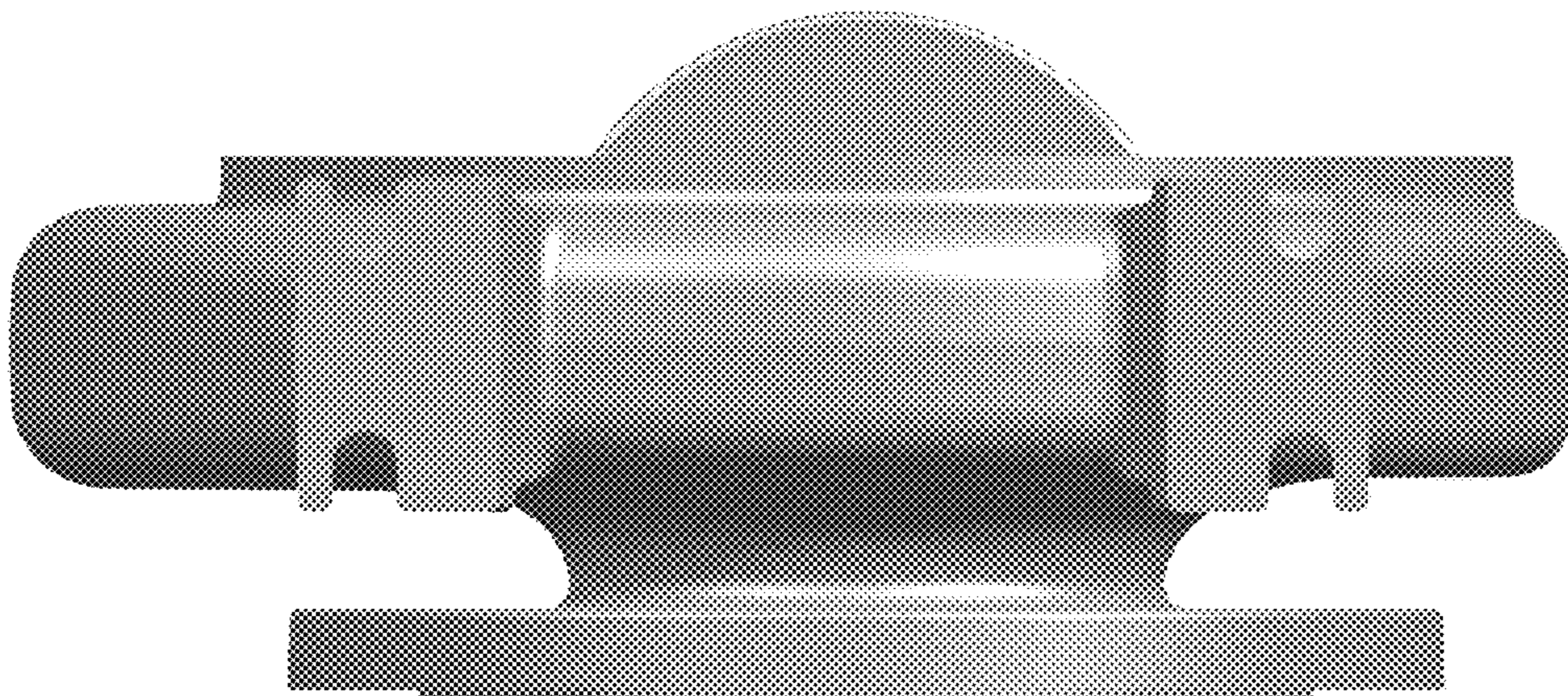


FIG. 27

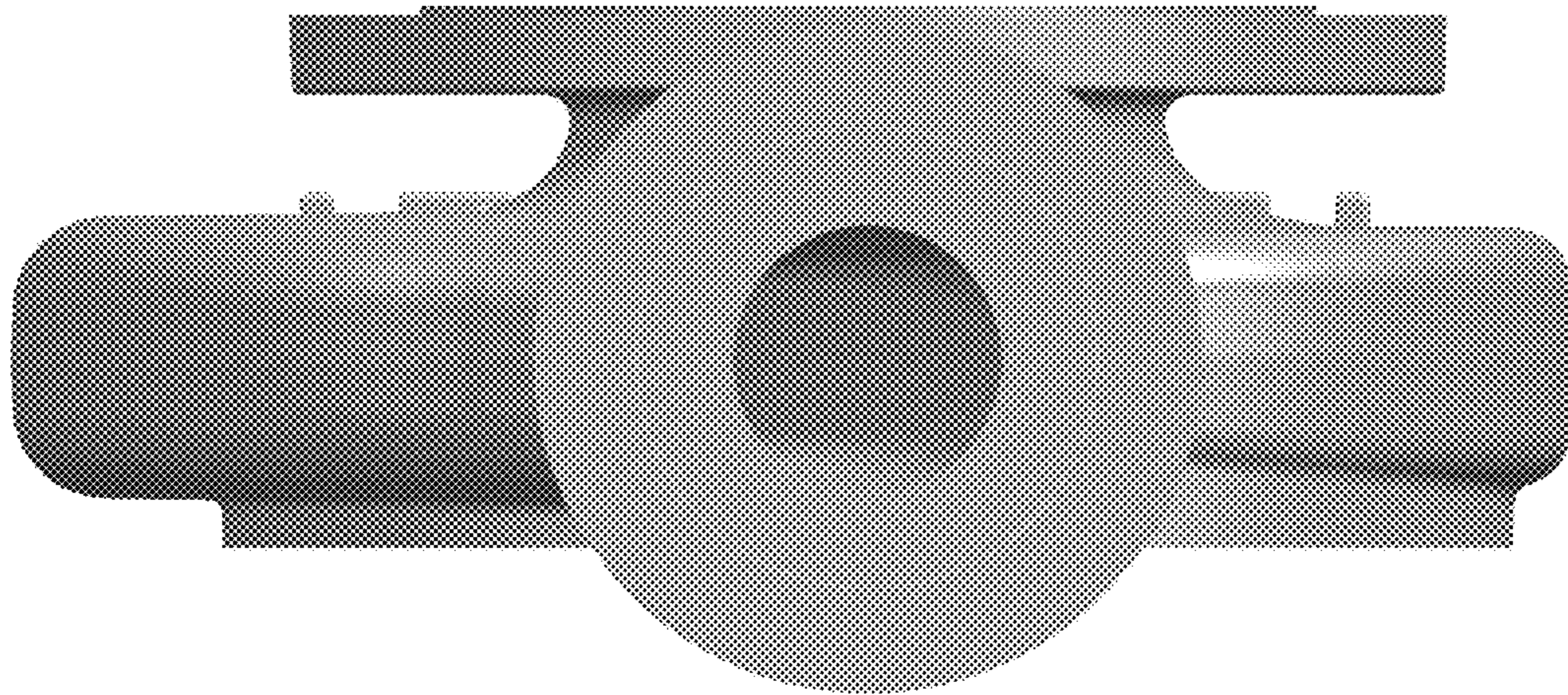


FIG. 28

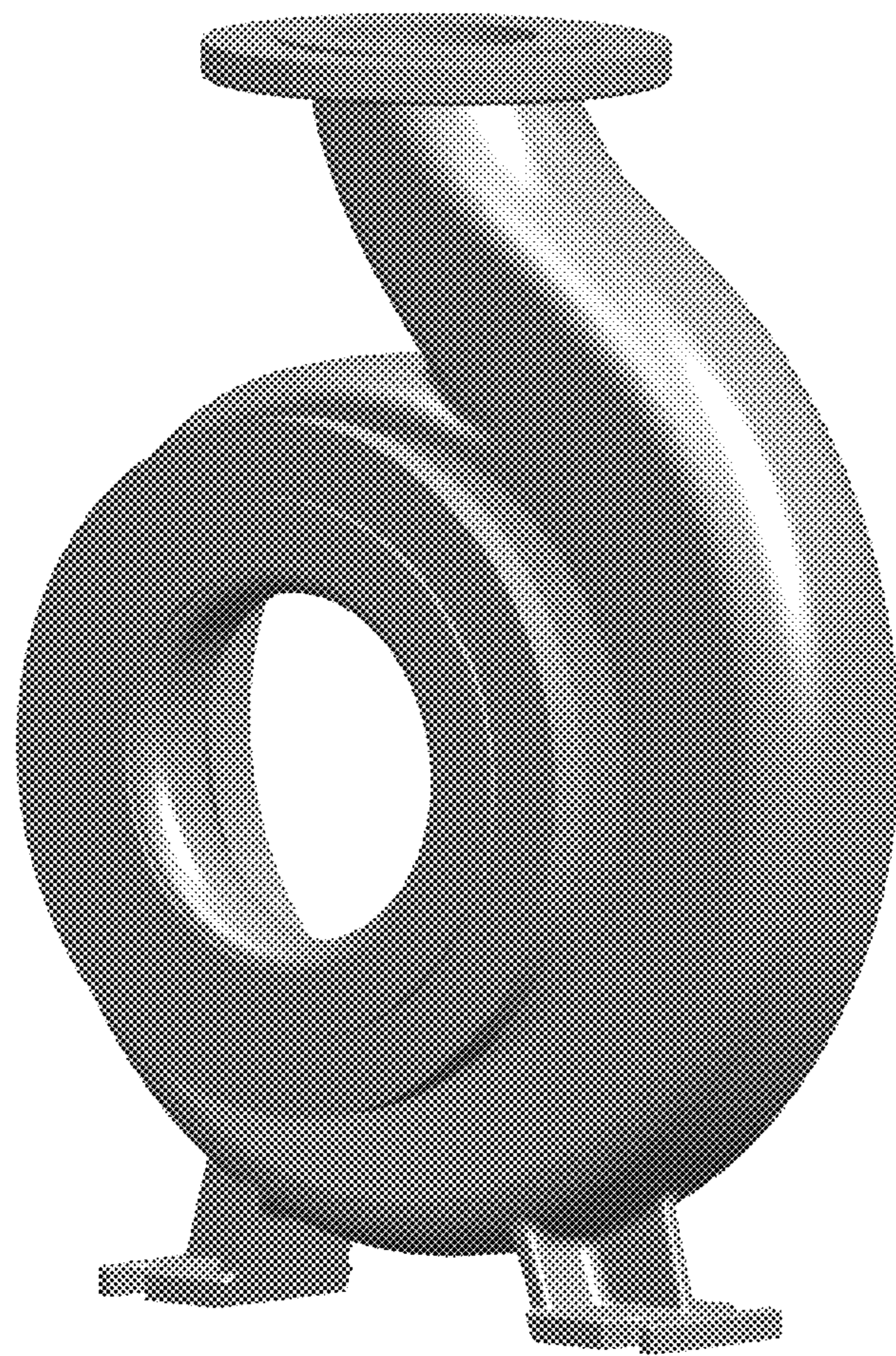


FIG. 29



FIG. 30

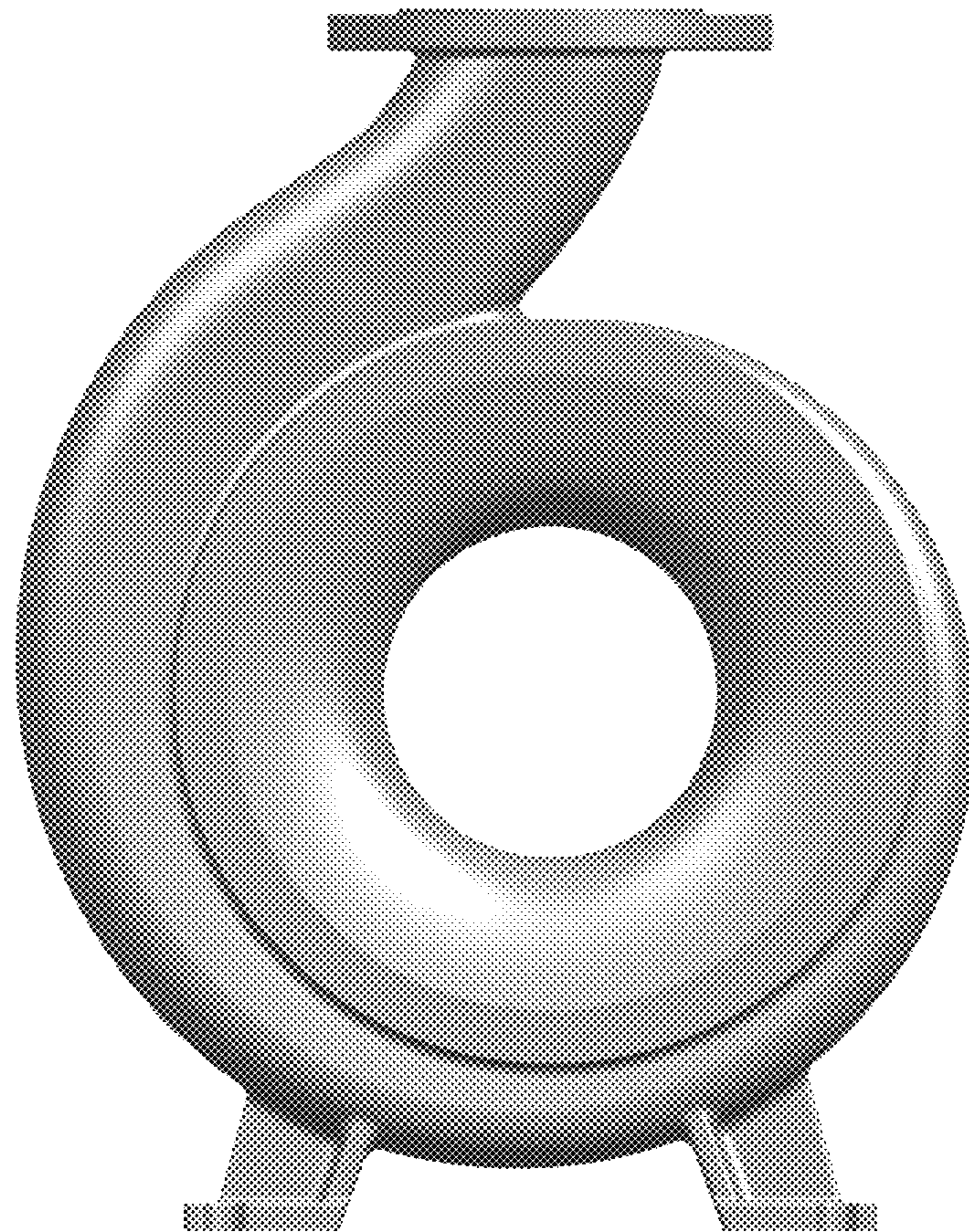


FIG. 31

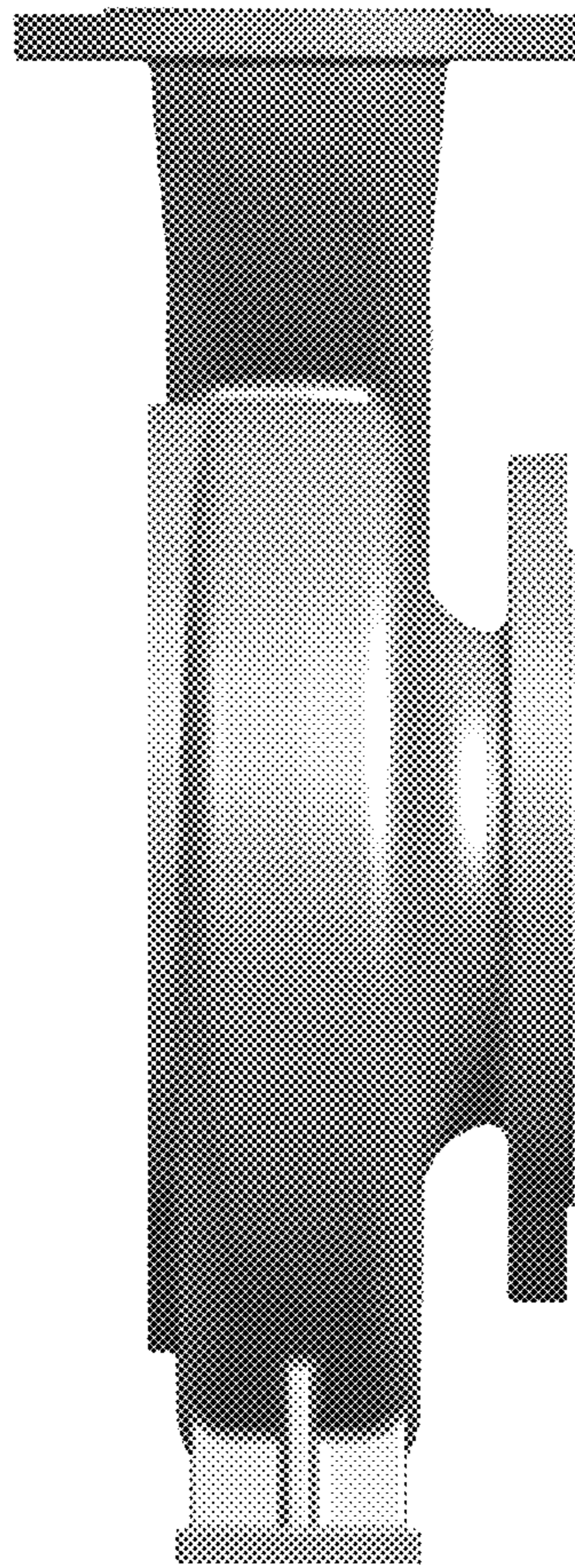


FIG. 32

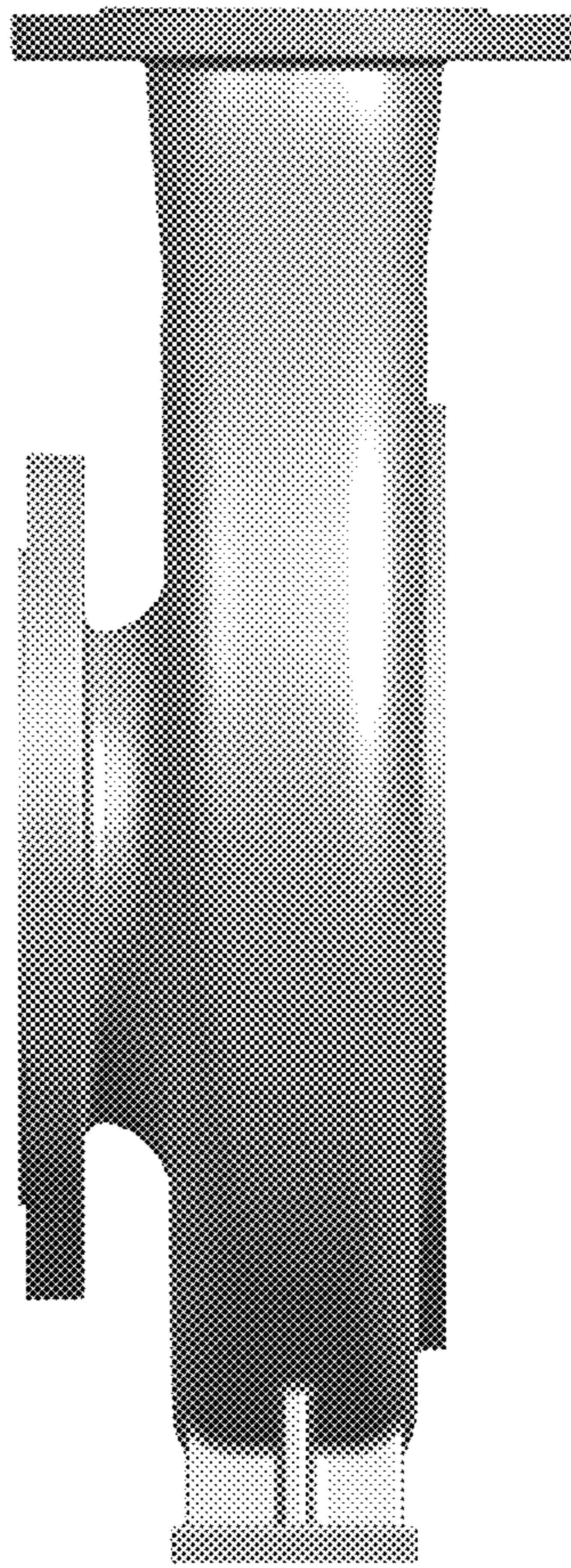


FIG. 33

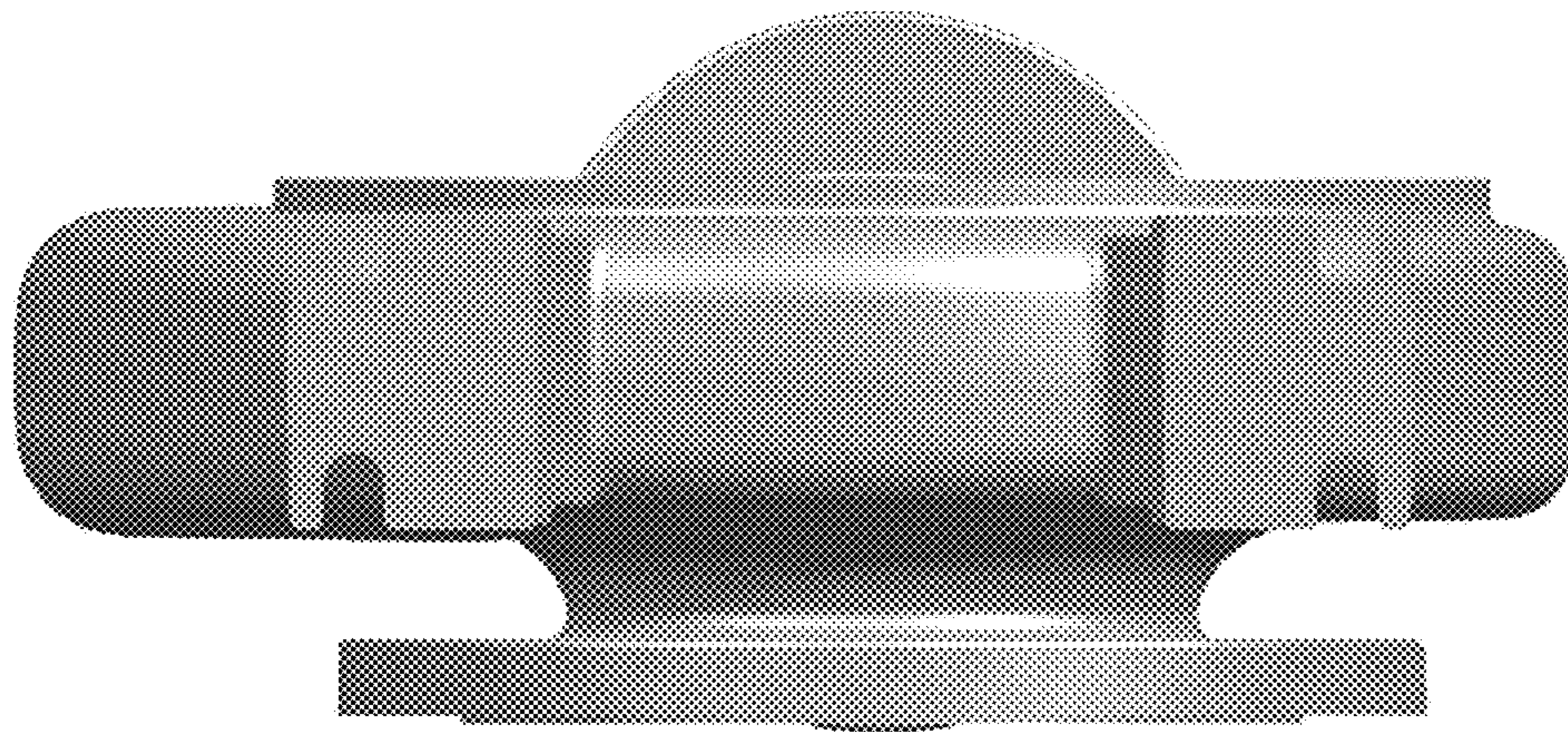


FIG. 34

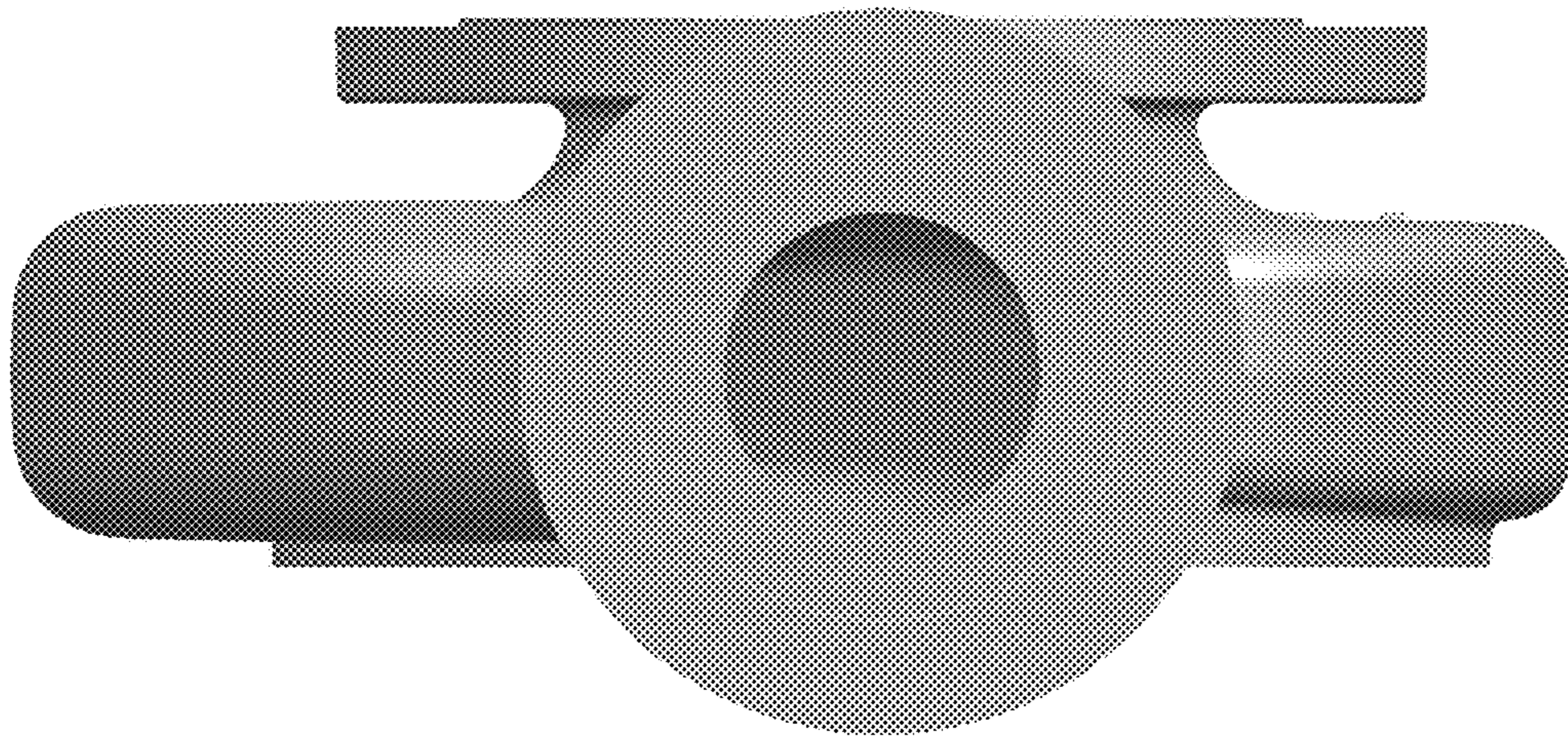


FIG. 35

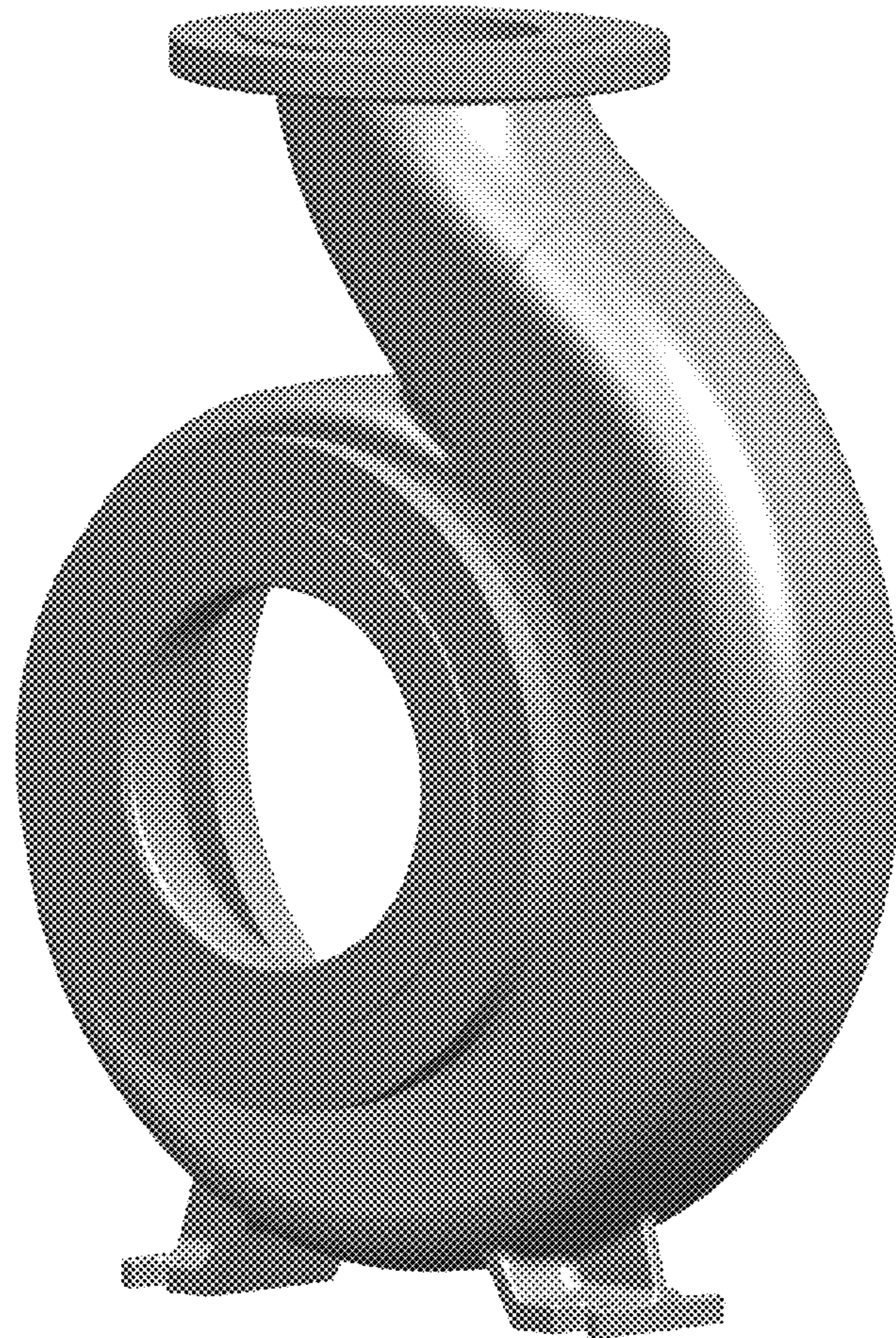


FIG. 36

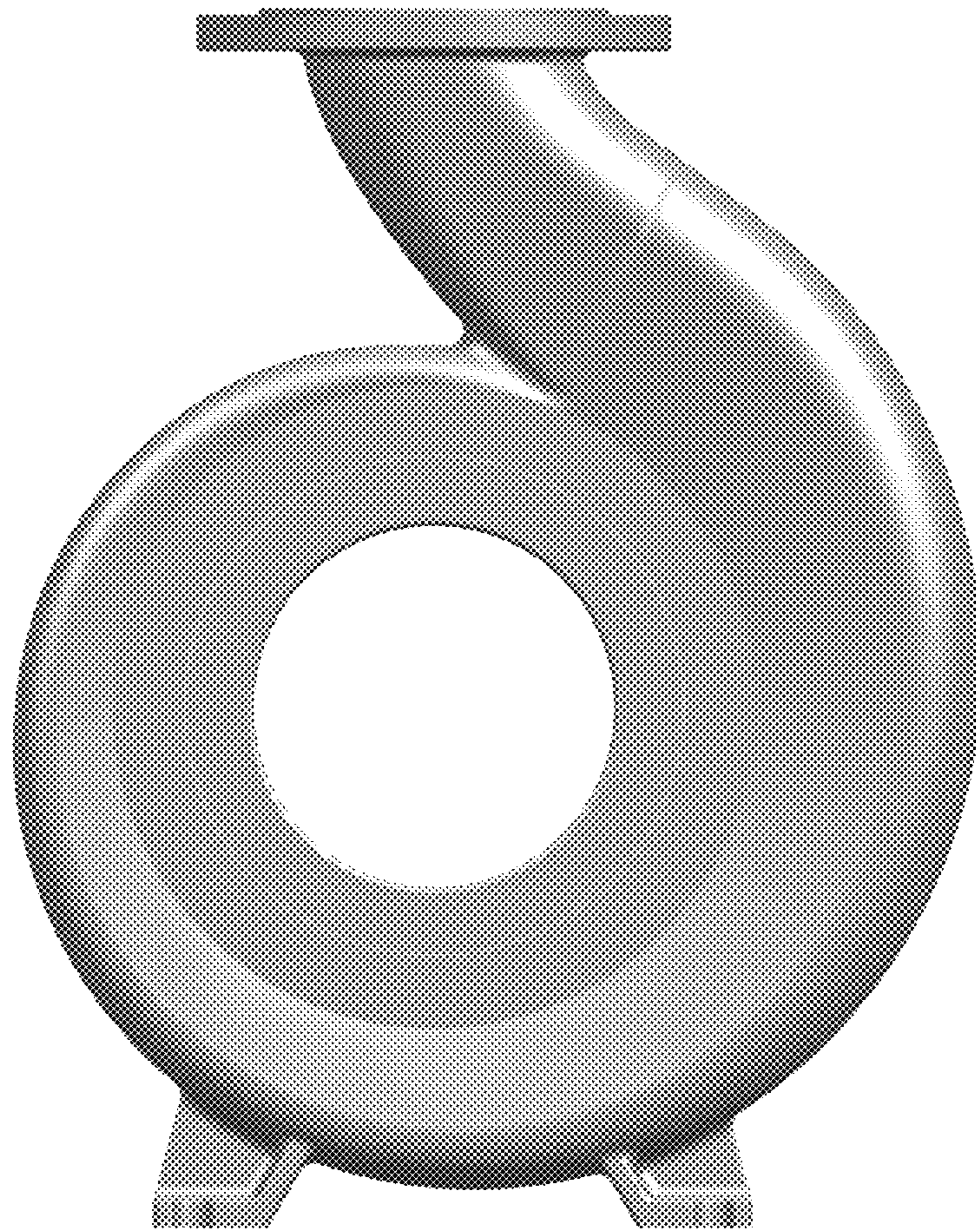


FIG. 37

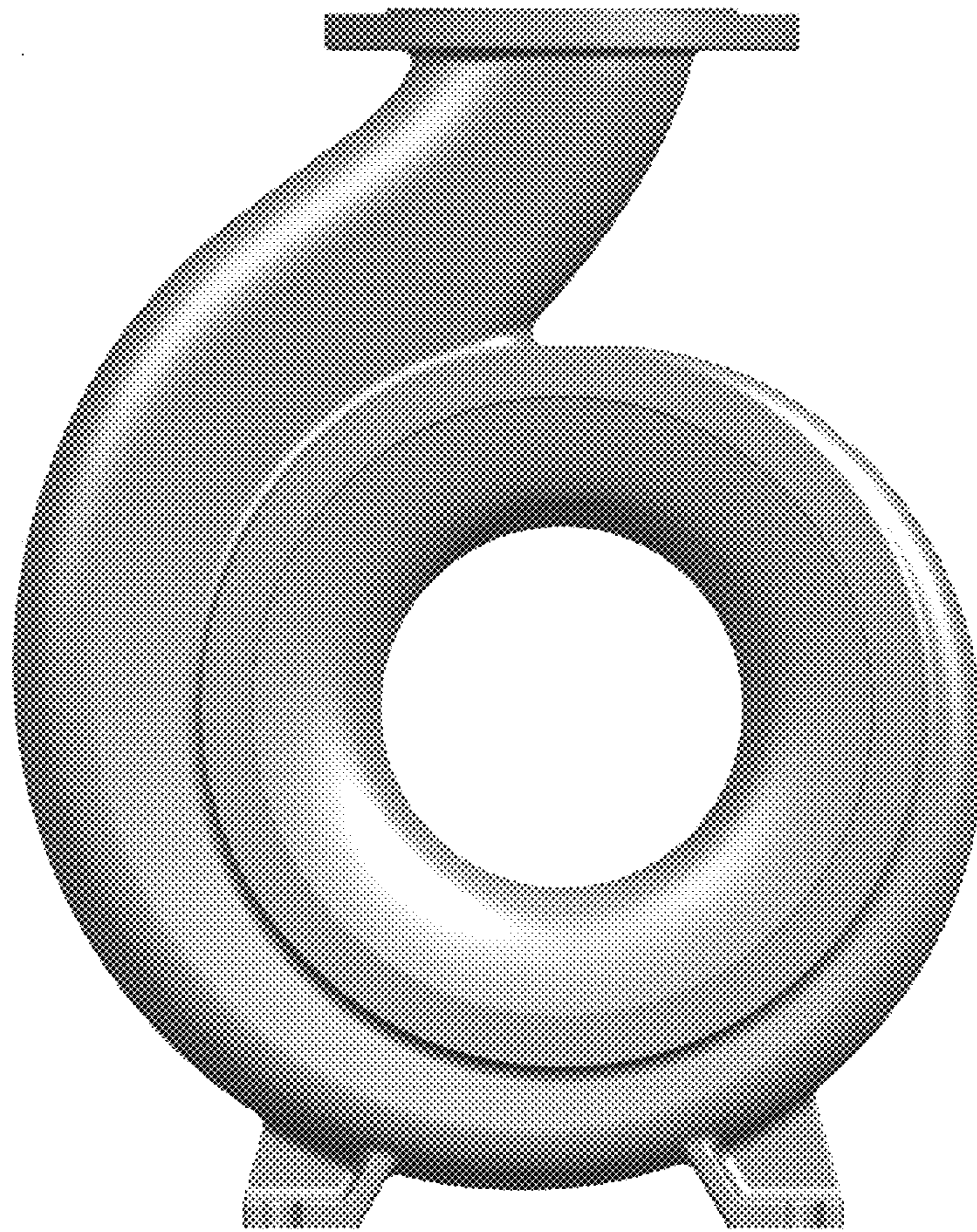


FIG. 38

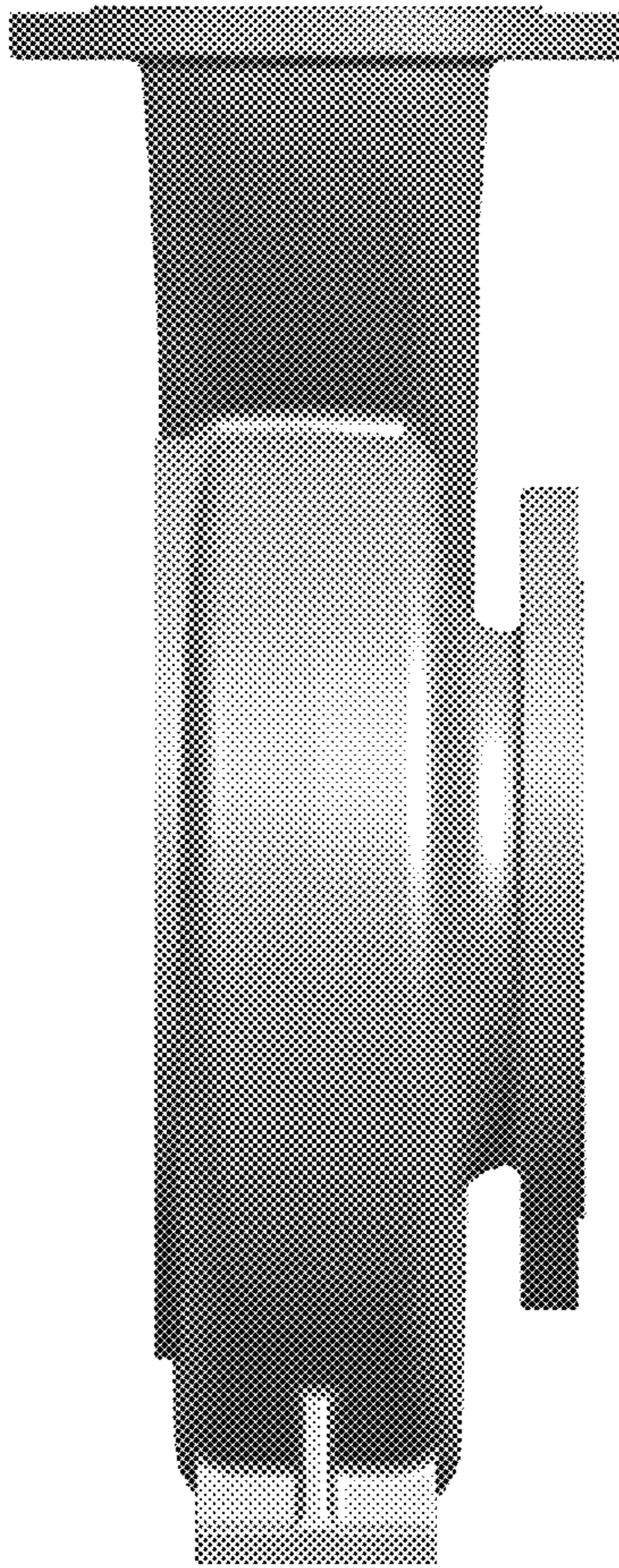


FIG. 39

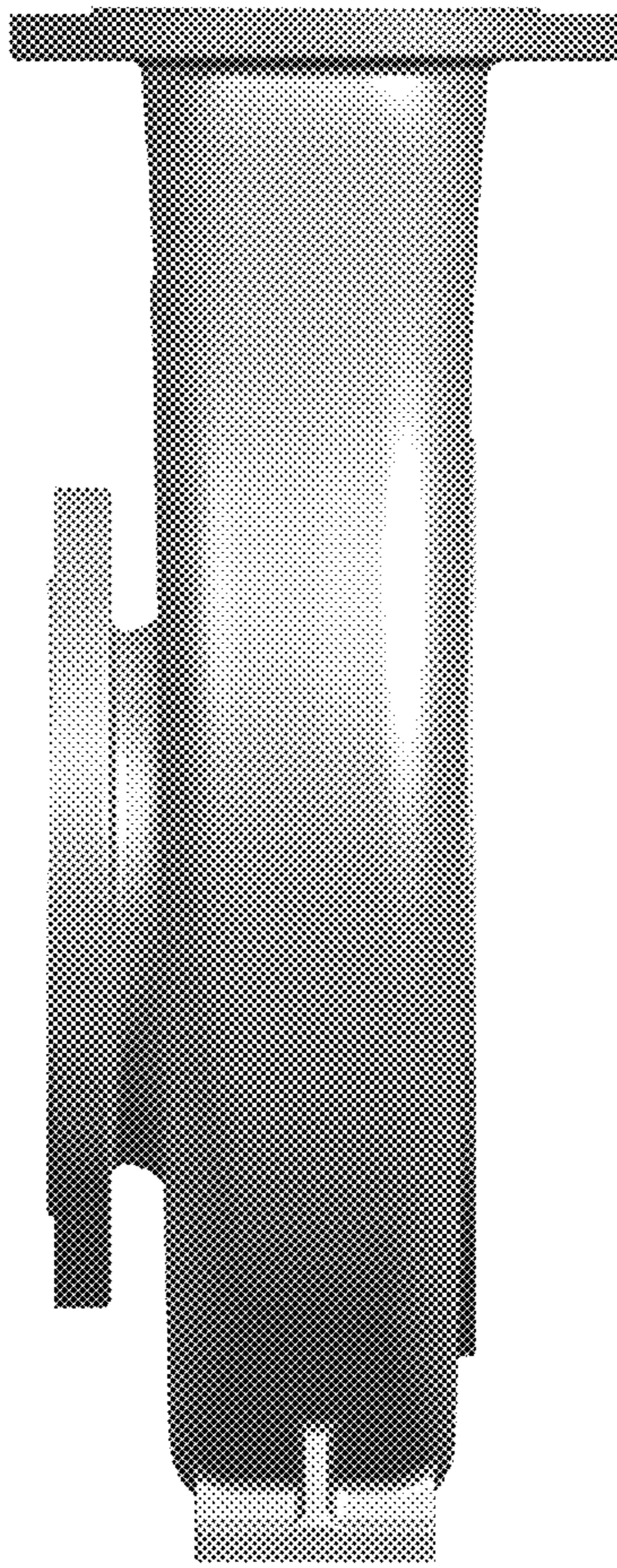


FIG. 40

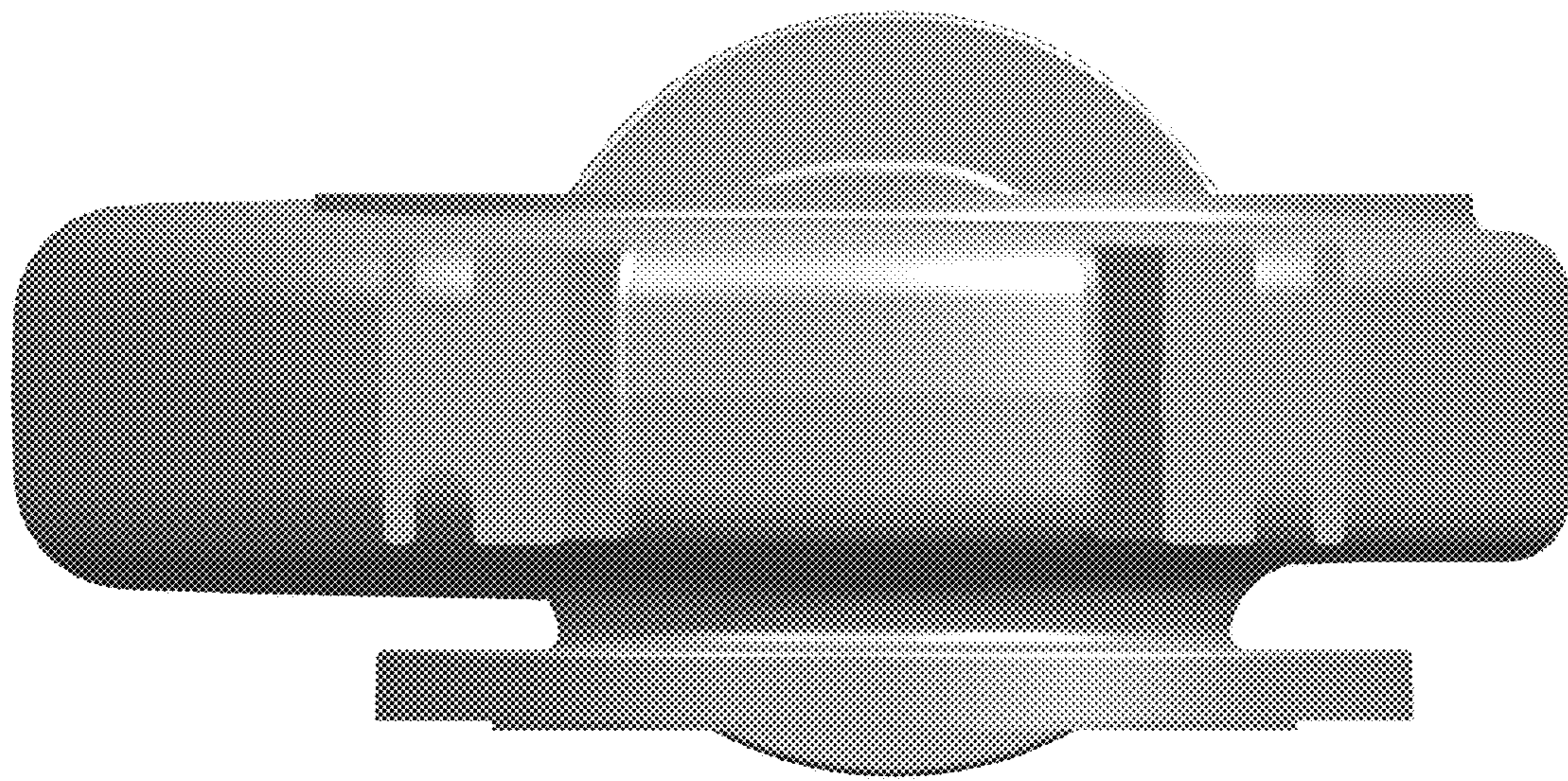


FIG. 41

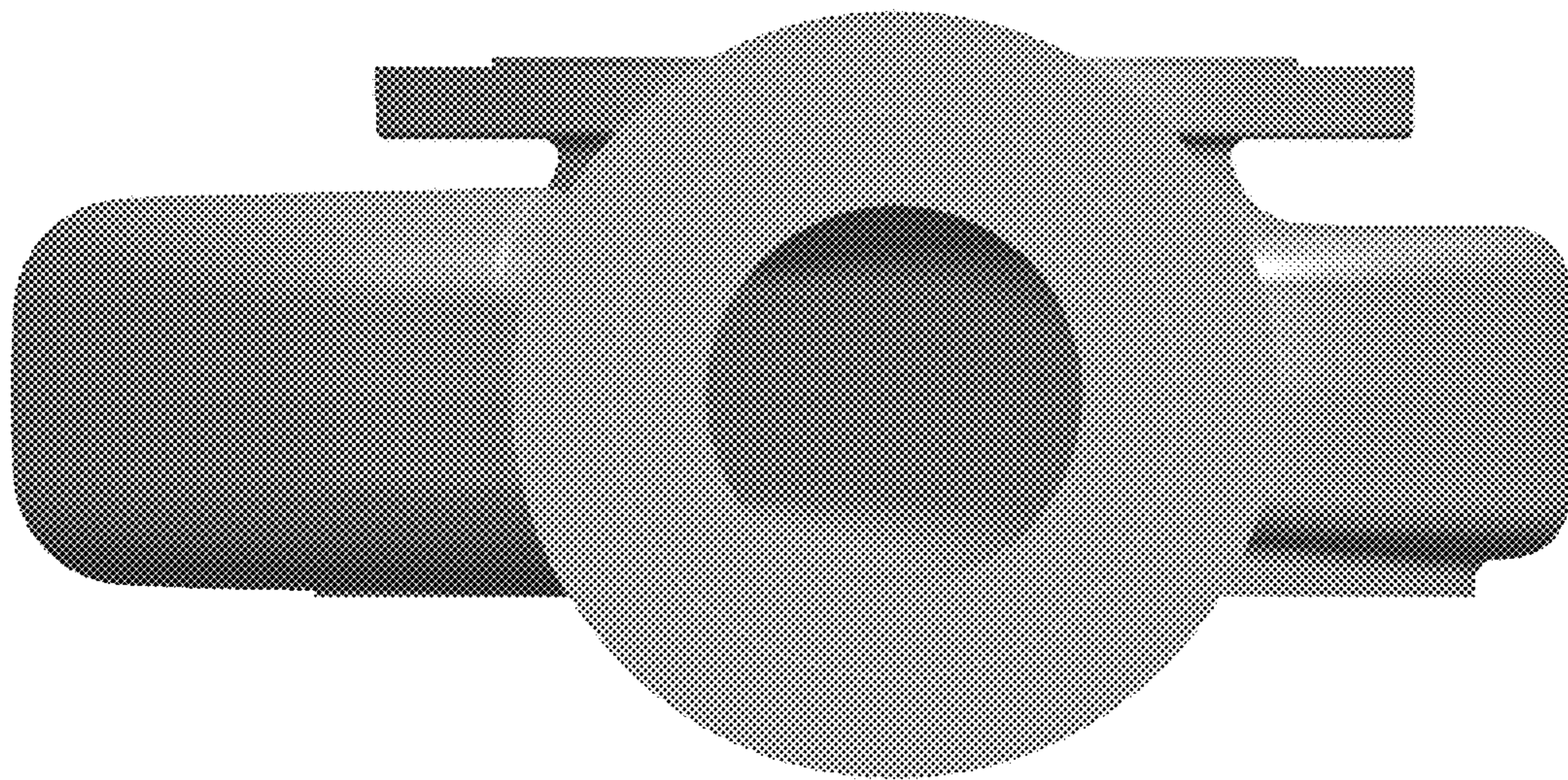


FIG. 42