



US00D829769S

(12) **United States Design Patent** (10) **Patent No.:** **US D829,769 S**
Tiefenthaler (45) **Date of Patent:** **** Oct. 2, 2018**

(54) **ENGINE**
(71) Applicant: **Briggs & Stratton Corporation,**
Wauwatosa, WI (US)
(72) Inventor: **Carl T. Tiefenthaler,** Jaskson, WI (US)
(73) Assignee: **Briggs & Stratton Corporation,**
Wauwatosa, WI (US)
(**) Term: **15 Years**
(21) Appl. No.: **29/619,689**

D638,444 S * 5/2011 He D15/1
D671,958 S 12/2012 Wu et al.
D689,522 S 9/2013 Johnson et al.
D695,317 S 12/2013 Yano et al.
D709,522 S 7/2014 Yano et al.
D709,523 S 7/2014 Nonaka et al.
D751,118 S 3/2016 Suzuki et al.
D771,143 S 11/2016 Yu et al.
2009/0038879 A1* 2/2009 Sato F01N 1/003
181/228
2009/0230693 A1* 9/2009 Yoshida H02K 7/1815
290/1 A
2009/0230695 A1* 9/2009 Yoshida F02B 63/04
290/1 A
2010/0180864 A1* 7/2010 Maekawa F02D 9/1035
123/439

(22) Filed: **Sep. 29, 2017**
(51) **LOC (11) Cl.** **15-01**
(52) **U.S. Cl.**
USPC **D15/5**
(58) **Field of Classification Search**
USPC D15/1, 2, 3, 4, 5
CPC ... F01P 5/02; F01P 1/02; F02B 75/007; F02B
77/02; F02B 2700/03; F02B 75/16; F02B
63/00; F02B 63/02; F02F 1/34
See application file for complete search history.

(Continued)

Primary Examiner — T Chase Nelson
Assistant Examiner — Anna Kathy Aman
(74) *Attorney, Agent, or Firm* — Foley & Lardner LLP

(57) **CLAIM**

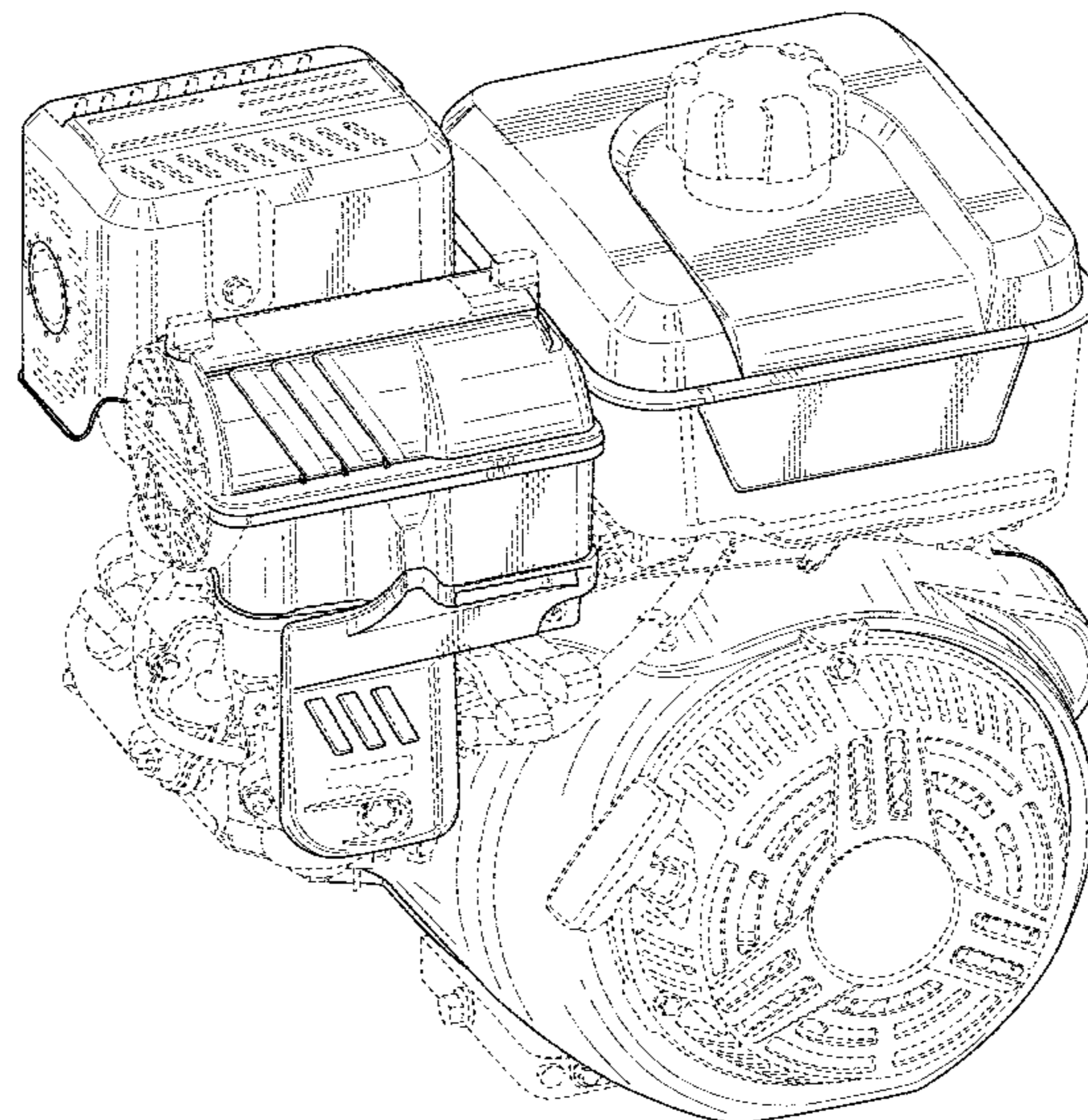
I claim the ornamental design for an engine, as shown and described.

DESCRIPTION

FIG. 1 is a front-left perspective view from above of an engine;
FIG. 2 is a front-right perspective view from below of the claimed design of FIG. 1;
FIG. 3 is a front view of the claimed design of FIG. 1;
FIG. 4 is a rear view of the claimed design of FIG. 1;
FIG. 5 is a left side view of the claimed design of FIG. 1;
FIG. 6 is a right side view of the claimed design of FIG. 1;
FIG. 7 is a top view of the claimed design of FIG. 1; and,
FIG. 8 is a bottom view of the claimed design of FIG. 1.
Any portion of the article depicted in broken lines forms no part of the claimed design.

(56) **References Cited**
U.S. PATENT DOCUMENTS
D282,071 S 1/1986 Nakamura
D515,589 S 2/2006 Lin et al.
D516,580 S * 3/2006 Li D15/1
D529,046 S 9/2006 Maeda et al.
D529,514 S 10/2006 Maeda et al.
D552,128 S * 10/2007 Li D15/1
D579,026 S 10/2008 Busschaert
D583,829 S 12/2008 Fan
D584,745 S 1/2009 Wei et al.
D595,737 S * 7/2009 Neeley D15/1
D610,163 S 2/2010 Wood
D612,402 S * 3/2010 Dai D15/1
D634,333 S 3/2011 Johnson et al.

1 Claim, 8 Drawing Sheets



(56)

References Cited

U.S. PATENT DOCUMENTS

2012/0160194 A1* 6/2012 Yano F02F 1/34
123/41.65
2012/0210704 A1* 8/2012 Kawase F01N 1/089
60/320
2014/0338634 A1* 11/2014 Mitchell F02D 17/04
123/332
2015/0329007 A1 11/2015 Matsunaga et al.

* cited by examiner

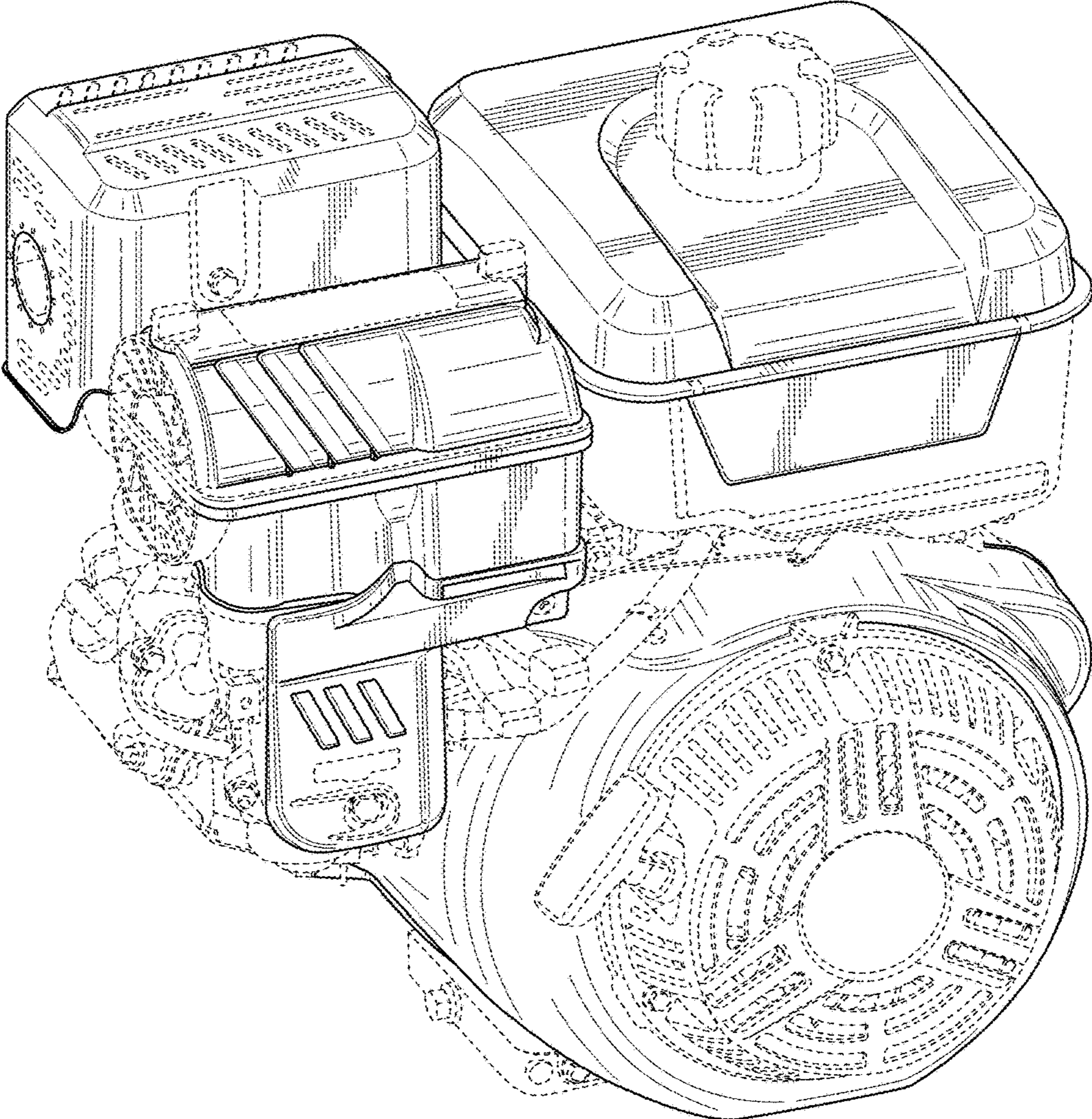


FIG. 1

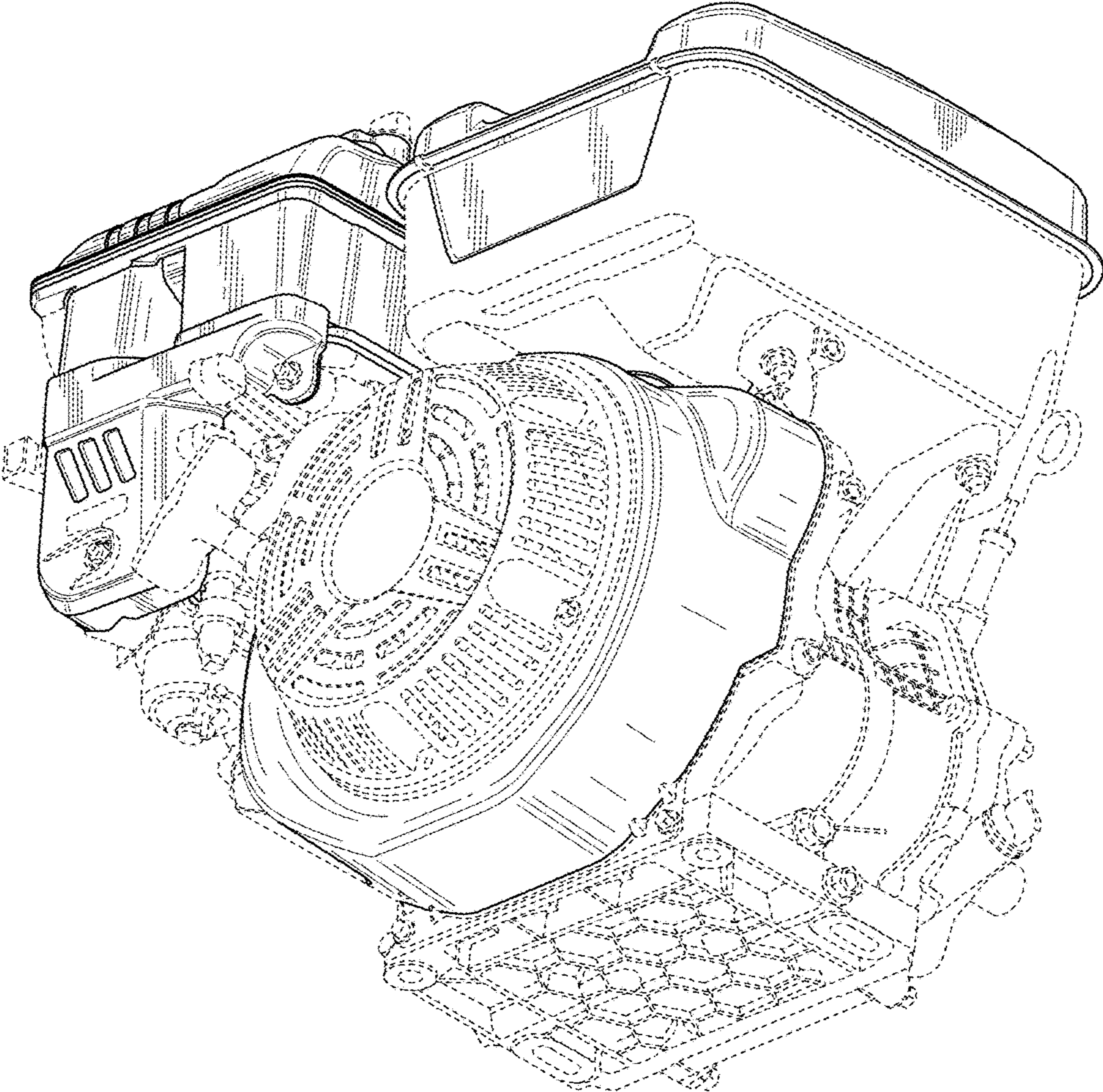


FIG. 2

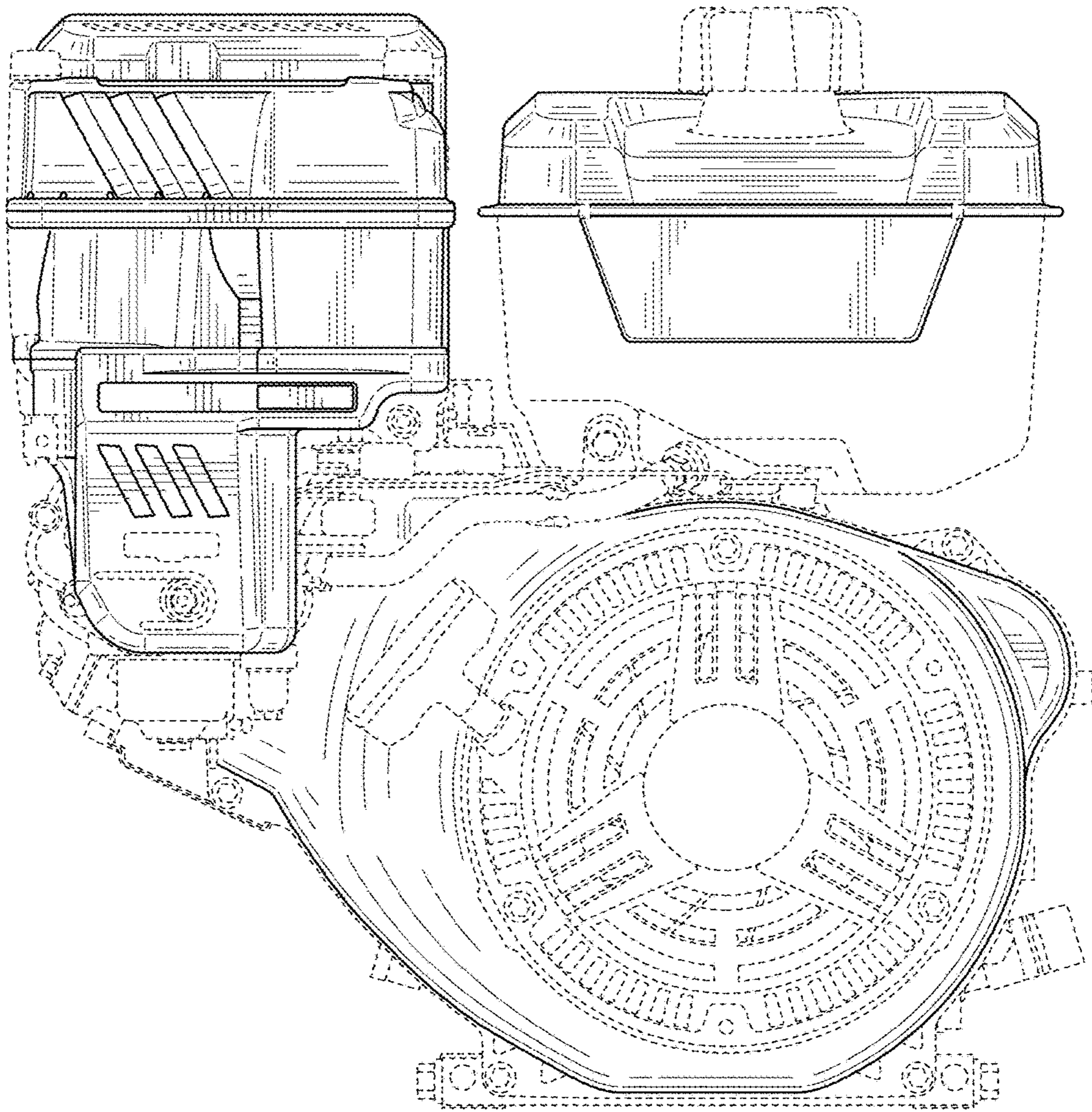


FIG. 3

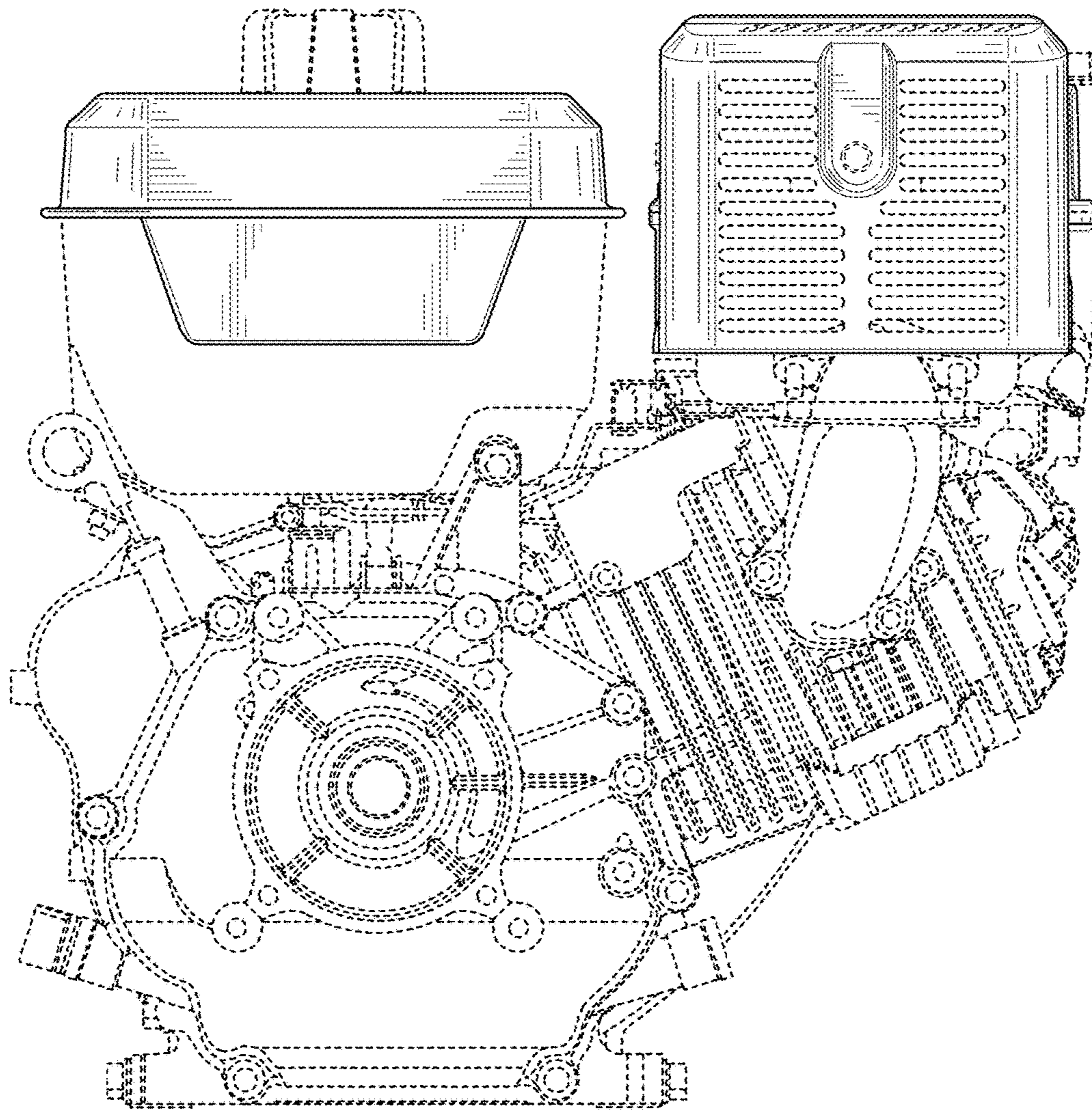


FIG. 4

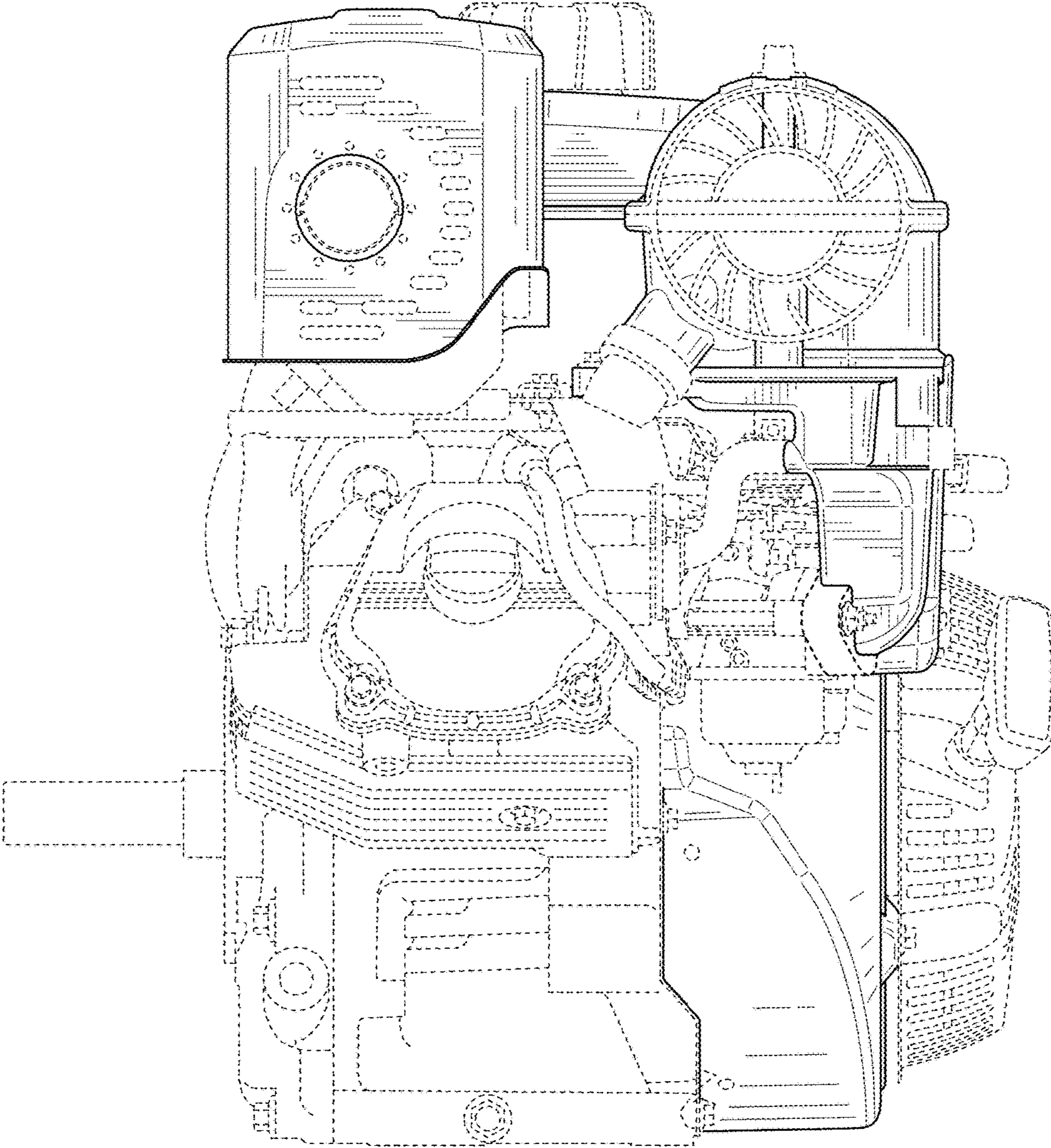


FIG. 5

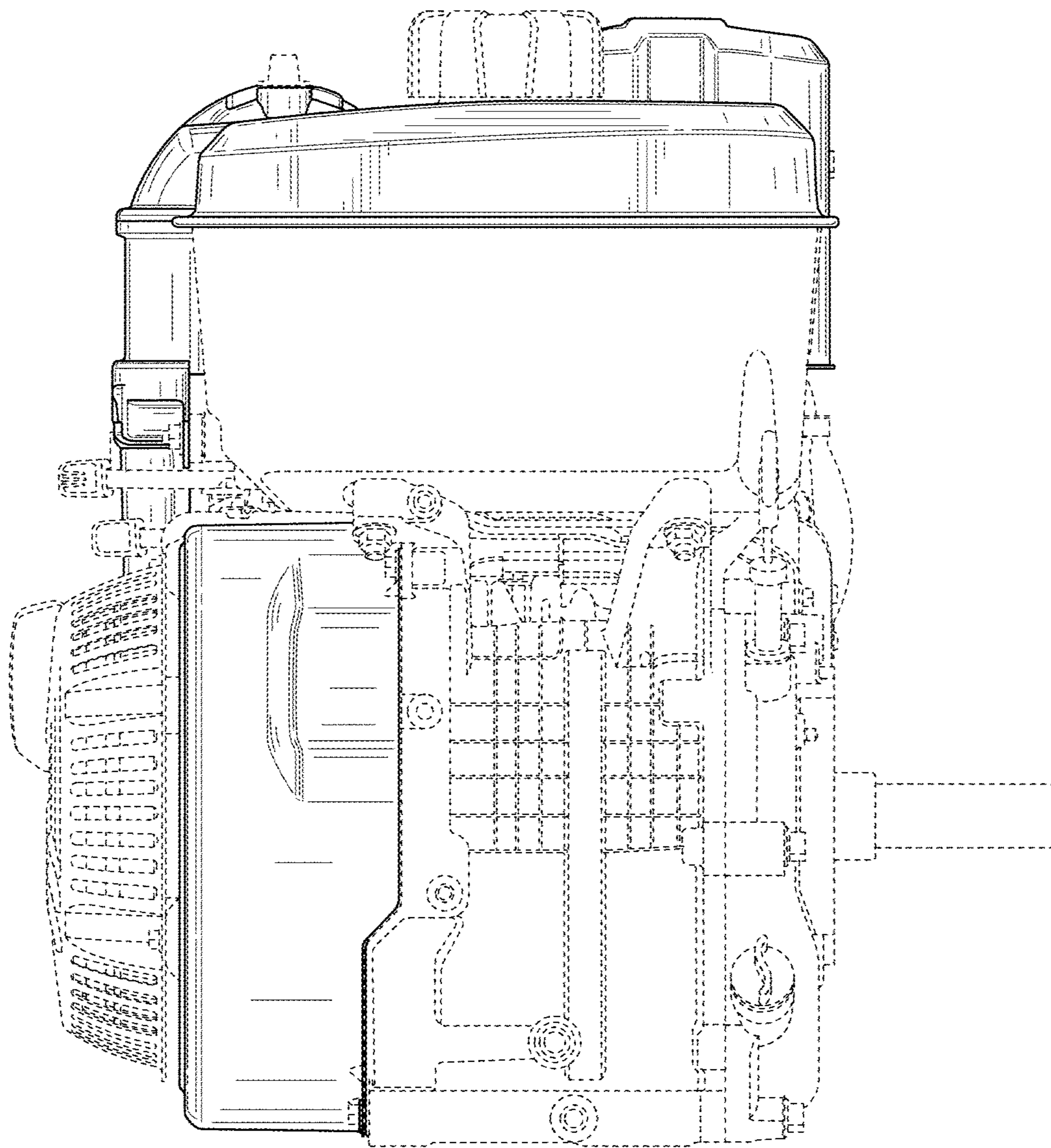


FIG. 6

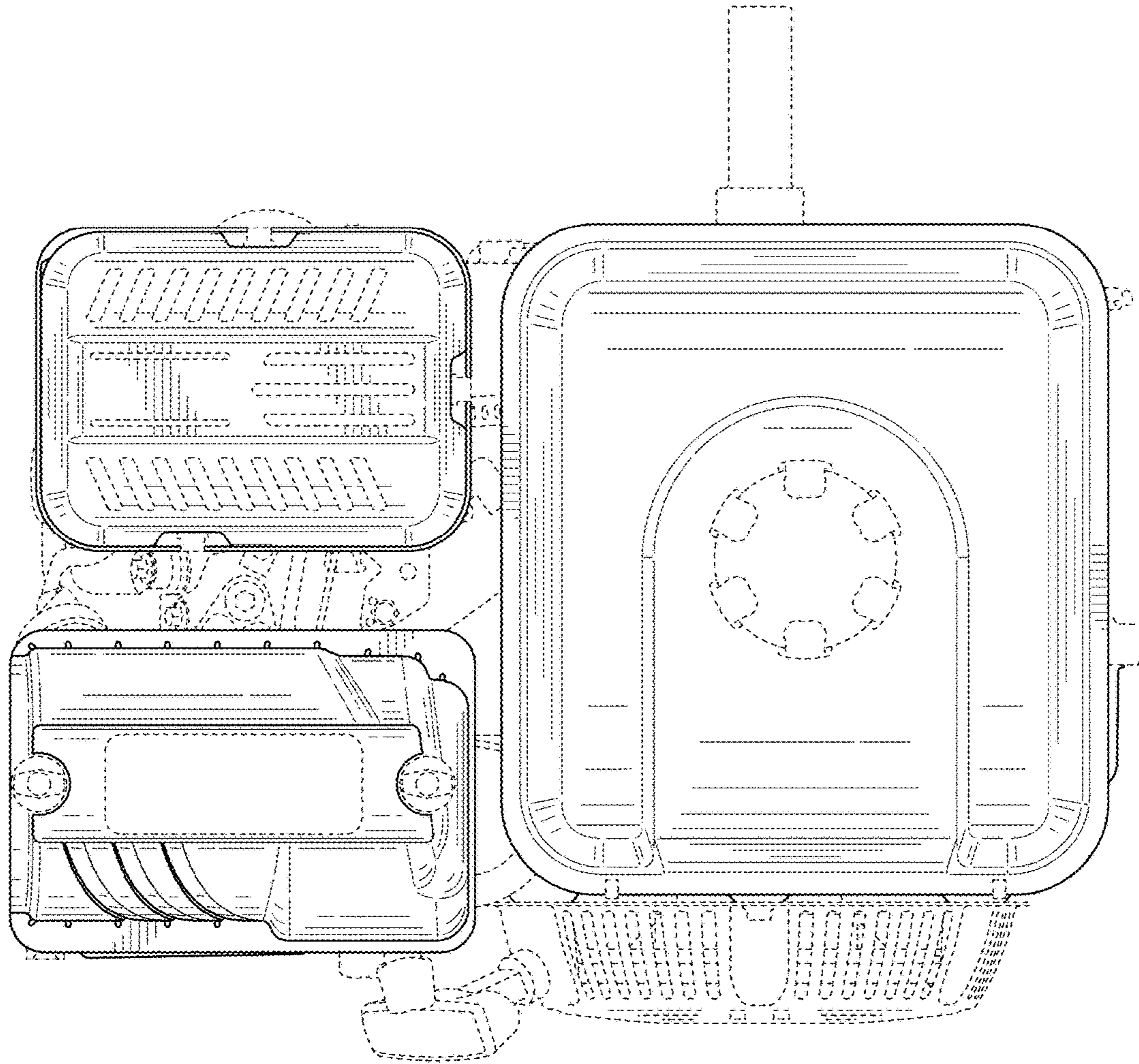


FIG. 7

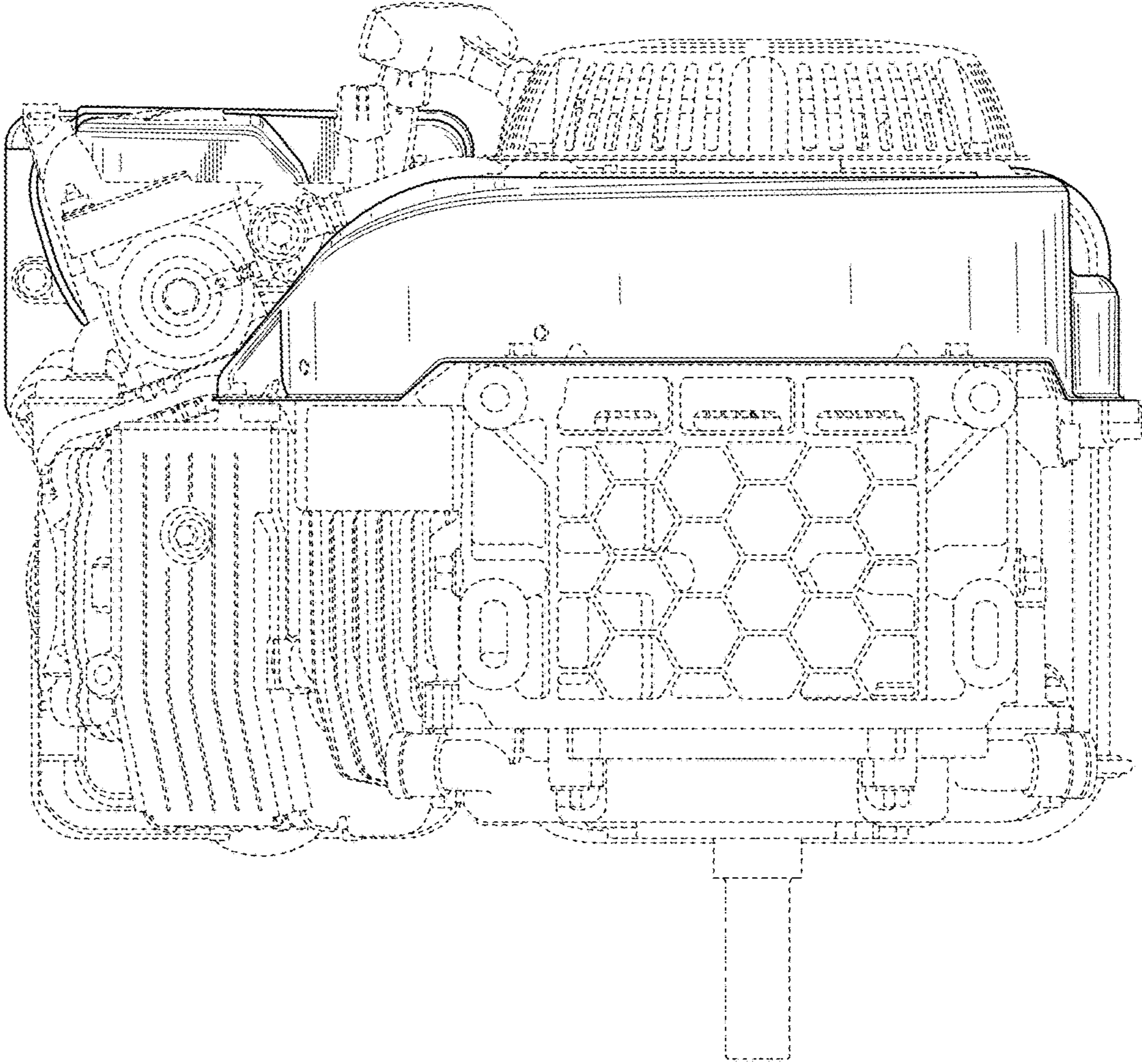


FIG. 8