



US00D829764S

(12) **United States Design Patent**
Clapper et al.

(10) **Patent No.:** **US D829,764 S**

(45) **Date of Patent:** **** Oct. 2, 2018**

(54) **DISPLAY SCREEN WITH ANIMATED ICON**

(71) Applicant: **Google LLC**, Mountain View, CA (US)

(72) Inventors: **Jon Gabriel Clapper**, Seattle, WA (US); **Marc Seiji Oshiro**, Seattle, WA (US); **John Thomas DiMartile, III**, Seattle, WA (US)

(73) Assignee: **Google LLC**, Mountain View, CA (US)

(**) Term: **15 Years**

(21) Appl. No.: **29/619,951**

(22) Filed: **Oct. 3, 2017**

(51) **LOC (11) Cl.** **14-04**

(52) **U.S. Cl.**

USPC **D14/489**

(58) **Field of Classification Search**

USPC D14/485-495

CPC G06F 17/211; G06F 17/212; G06F 3/1251;

G06F 3/0481; G06F 2203/04807

See application file for complete search history.

(56) **References Cited**

U.S. PATENT DOCUMENTS

D690,720 S *	10/2013	Waldman	D14/485
D697,080 S *	1/2014	Scholz	D14/489
8,707,211 B2 *	4/2014	Yasui	G06F 3/0482
				715/834
8,756,533 B2	6/2014	Sandler et al.		
D710,367 S *	8/2014	Quattrocchi	D14/485
D716,316 S *	10/2014	Behzadi	D14/485
D716,318 S *	10/2014	Fan	D14/485
D716,319 S *	10/2014	Fan	D14/485
D717,335 S *	11/2014	Sakuma	D14/487
D721,088 S *	1/2015	Barling	D14/485
D723,585 S *	3/2015	Brunner	D14/489
D729,260 S *	5/2015	Ahn	D14/485
D731,541 S	6/2015	Lee		
D733,167 S *	6/2015	Schoger	D14/486

D740,300 S *	10/2015	Lee	G06F 3/04817
				D14/485
D742,412 S *	11/2015	Lee	D14/492
D746,295 S *	12/2015	Arai	D14/485
D748,139 S	1/2016	Park et al.		
D754,182 S *	4/2016	Kouthoofd	D14/487
D754,713 S *	4/2016	Zhang	D14/487
D754,735 S	4/2016	Yun et al.		
D755,820 S *	5/2016	Wang	D14/486
D760,768 S	7/2016	Um et al.		
D761,857 S	7/2016	Mariet et al.		
D763,276 S *	8/2016	Kim	D14/485

(Continued)

OTHER PUBLICATIONS

Jon Gabriel Clapper et al., U.S. Appl. No. 29/619,935 for "Display Screen With Animated Icon," filed Oct. 3, 2017.

Primary Examiner — Darlington Ly

Assistant Examiner — Daniel J Domino

(74) *Attorney, Agent, or Firm* — Finnegan, Henderson, Farabow, Garrett & Dunner LLP

(57) **CLAIM**

The ornamental design for a display screen with animated icon, as shown and described.

DESCRIPTION

FIG. 1 is a front view of a first image of a display screen with animated icon, showing the new design;

FIG. 2 is a front view of a second image thereof;

FIG. 3 is a front view of a third image thereof;

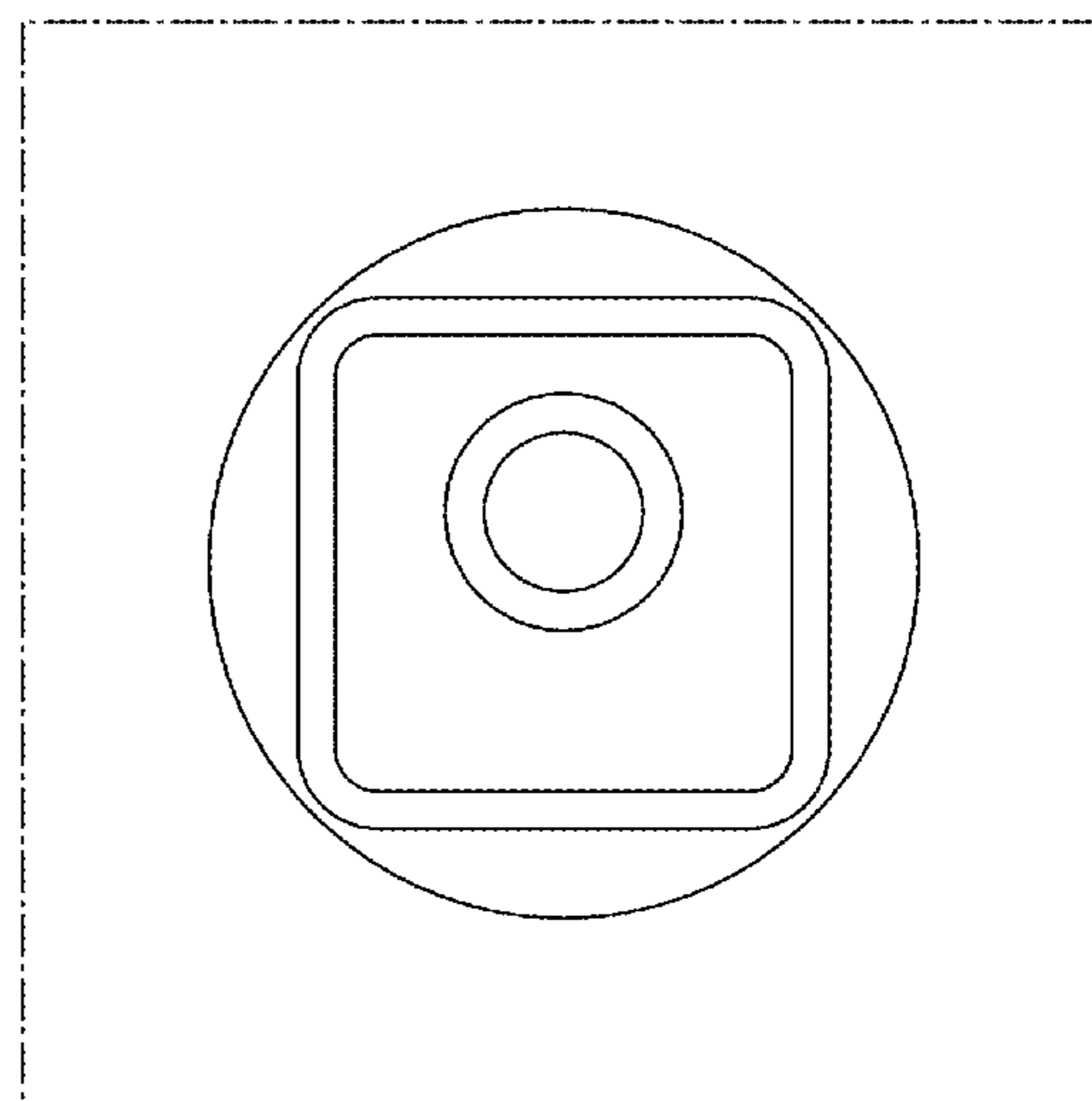
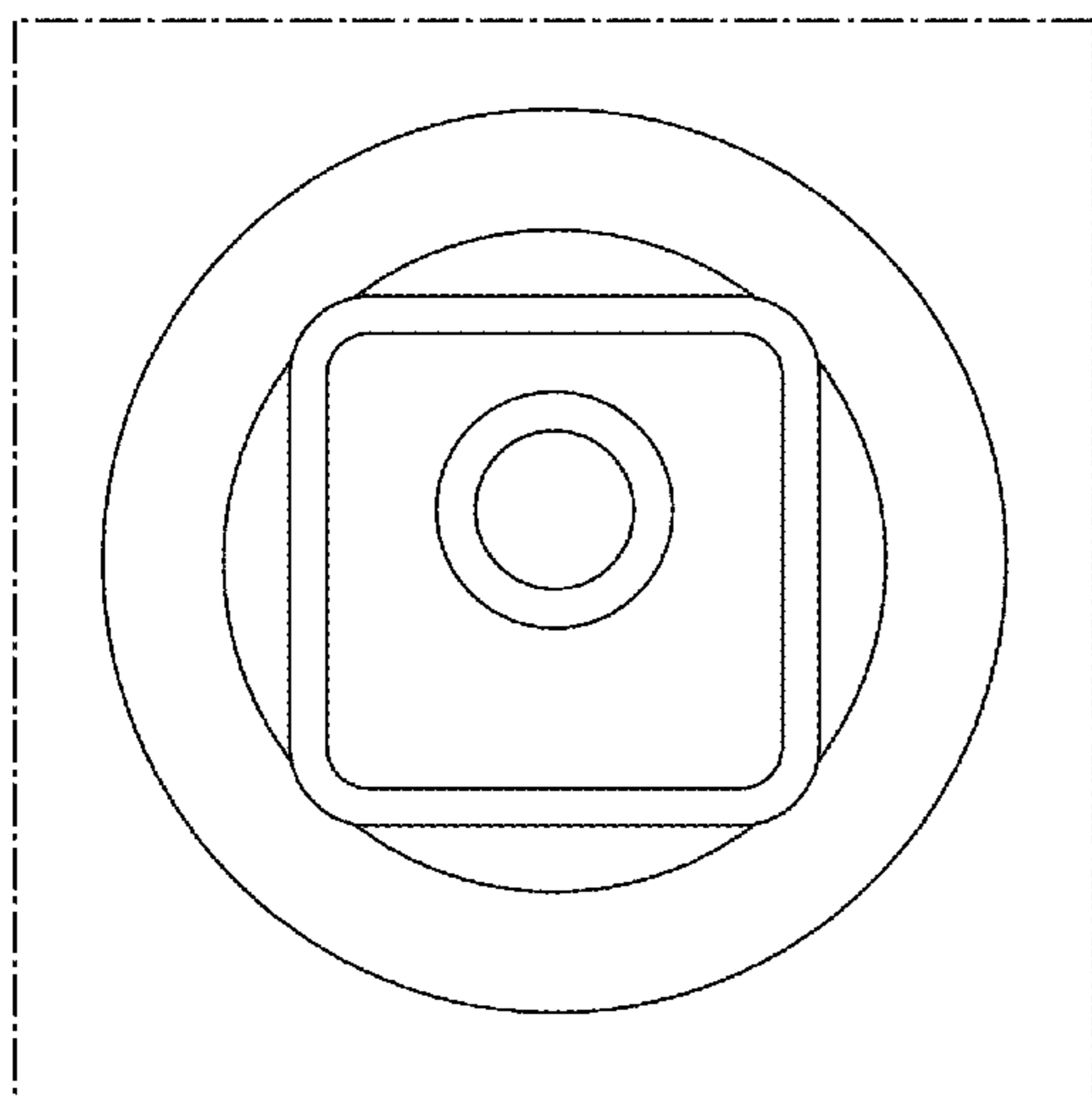
FIG. 4 is a front view of a fourth image thereof; and,

FIG. 5 is a front view of a fifth image thereof.

The appearance of the animated icon transitions sequentially between the images shown in FIGS. 1-5. The process or period in which one image transitions to another forms no part of the claimed design.

The broken lines of uneven length show the display screen and form no part of the claimed design.

1 Claim, 5 Drawing Sheets



(56)

References Cited

U.S. PATENT DOCUMENTS

D763,869 S 8/2016 Wang et al.
 D765,115 S * 8/2016 Pierson D14/486
 D765,672 S * 9/2016 Raff D14/485
 D769,287 S * 10/2016 Lirov D14/486
 D770,525 S 11/2016 Lee et al.
 D771,136 S 11/2016 Lee et al.
 D772,933 S 11/2016 Andis et al.
 D772,941 S 11/2016 Nuovo et al.
 D774,080 S 12/2016 Yoo et al.
 D774,081 S * 12/2016 Yoo D14/489
 D779,516 S * 2/2017 Pierson D14/486
 D780,805 S * 3/2017 van Os D14/491
 D782,515 S * 3/2017 Dzijnd D14/486
 D783,672 S 4/2017 Rajasankar et al.
 D786,269 S * 5/2017 Lin D14/485
 D786,893 S 5/2017 Mariet et al.
 D788,161 S 5/2017 Bauer et al.
 D792,446 S 7/2017 Sun
 D792,465 S 7/2017 Kang et al.
 D795,923 S 8/2017 Kim et al.
 D798,334 S * 9/2017 Dye D14/489
 D798,336 S 9/2017 Maccubbin et al.

D800,160 S * 10/2017 Shaw D14/489
 D800,764 S * 10/2017 Thoreson D14/488
 D800,773 S * 10/2017 Kim D14/492
 D801,350 S 10/2017 Rejkowski et al.
 D801,996 S 11/2017 Yang et al.
 D801,999 S 11/2017 Hersh et al.
 D803,241 S 11/2017 Mizono et al.
 D803,247 S * 11/2017 Mistry D14/486
 D803,880 S 11/2017 Hohne et al.
 D809,544 S * 2/2018 Ambielli D14/486
 D811,421 S * 2/2018 Caldwell G06Q 40/12
 D812,093 S * 3/2018 Rapp D14/485
 D812,624 S * 3/2018 Kim D14/488
 D812,634 S * 3/2018 Tuthill D14/486
 D814,504 S 4/2018 Lee et al.
 D817,337 S 5/2018 Wei
 D818,490 S 5/2018 Jang et al.
 D818,491 S 5/2018 Timmer et al.
 D818,492 S 5/2018 Cabot
 D819,044 S 5/2018 Fung et al.
 D819,075 S 5/2018 Tsuji et al.
 D819,076 S 5/2018 Cho et al.
 2013/0111406 A1 * 5/2013 Gebhart G06F 3/0487
 715/823

* cited by examiner

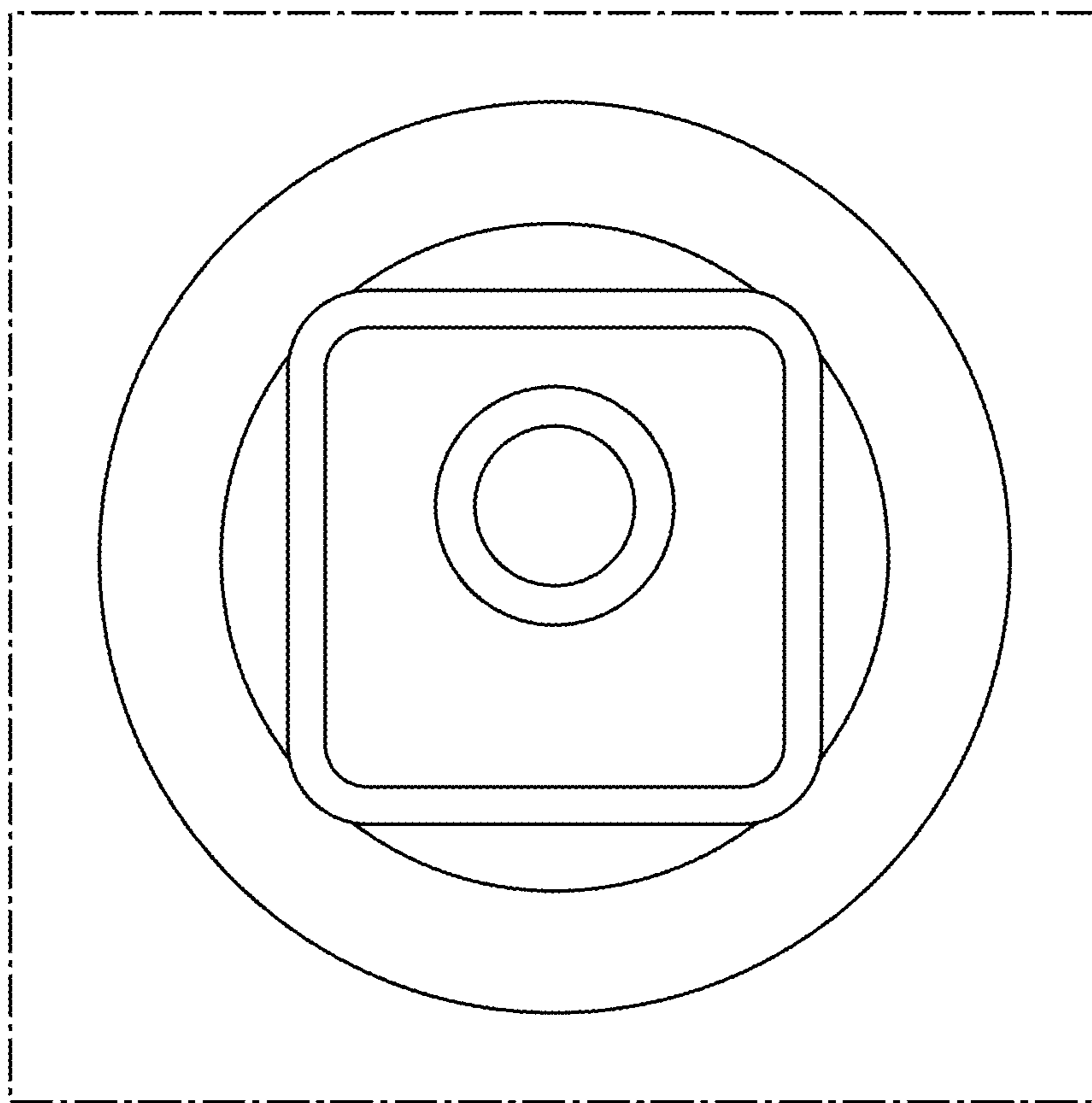


FIG. 1

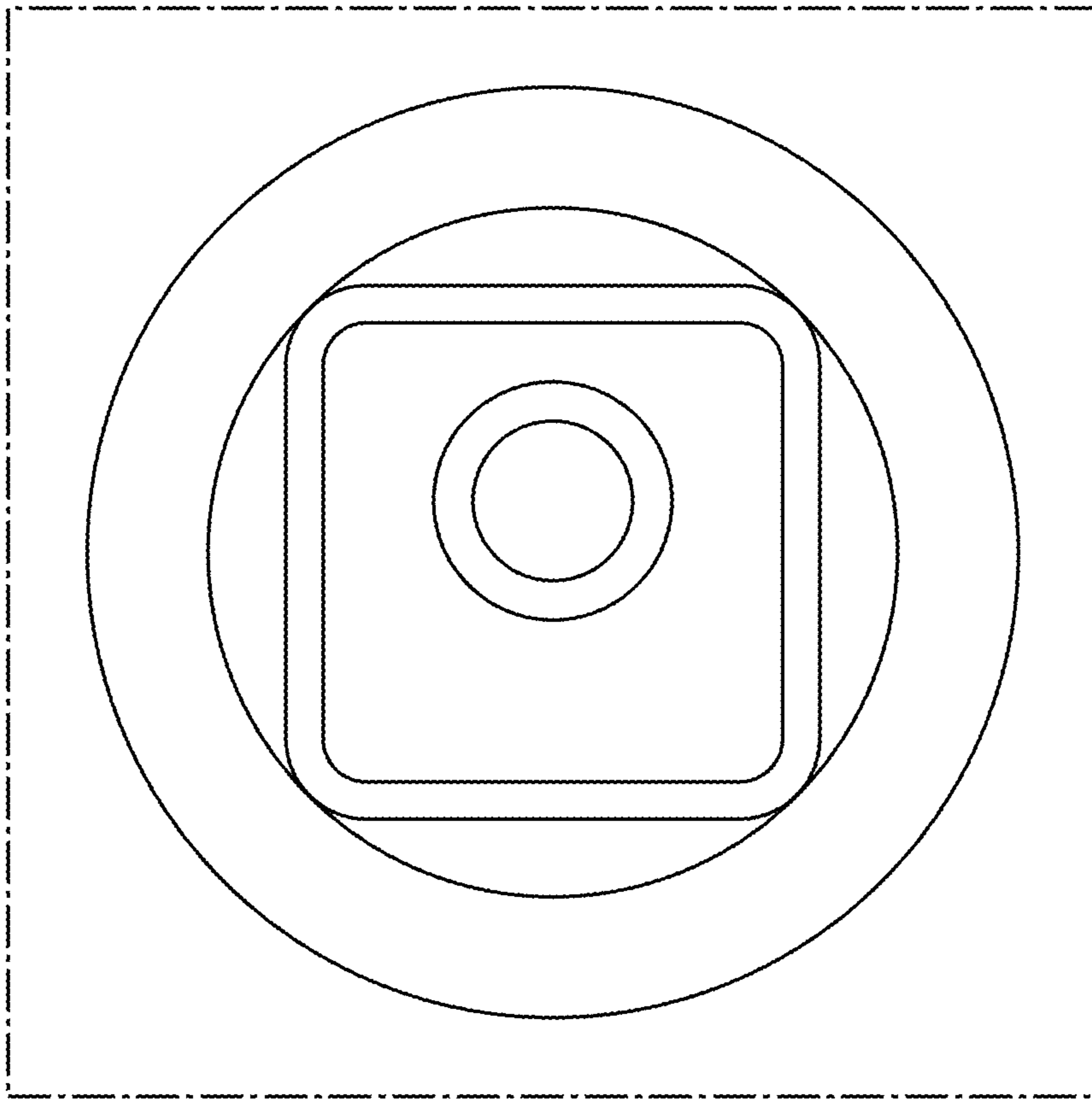


FIG. 2

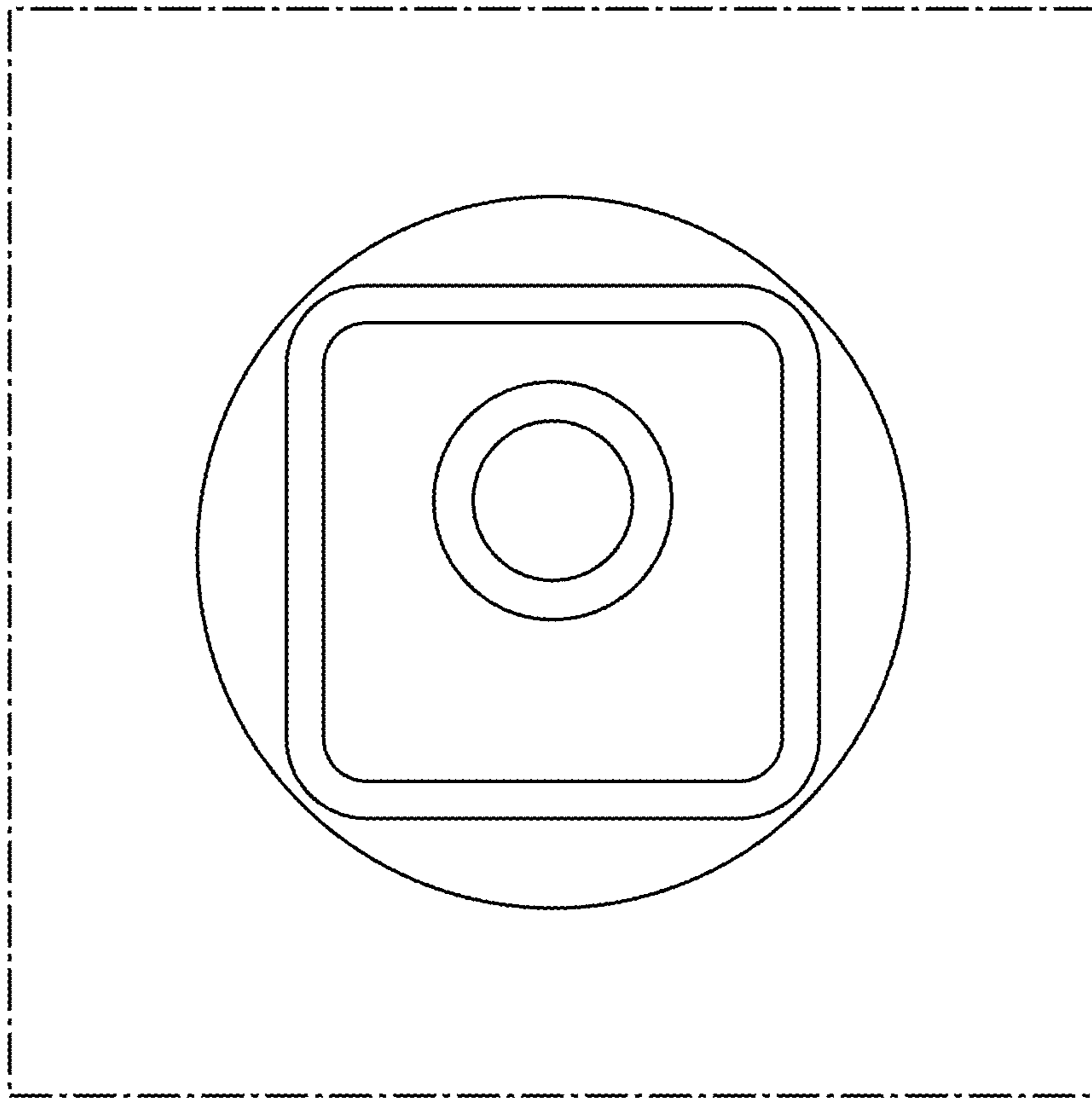


FIG. 3

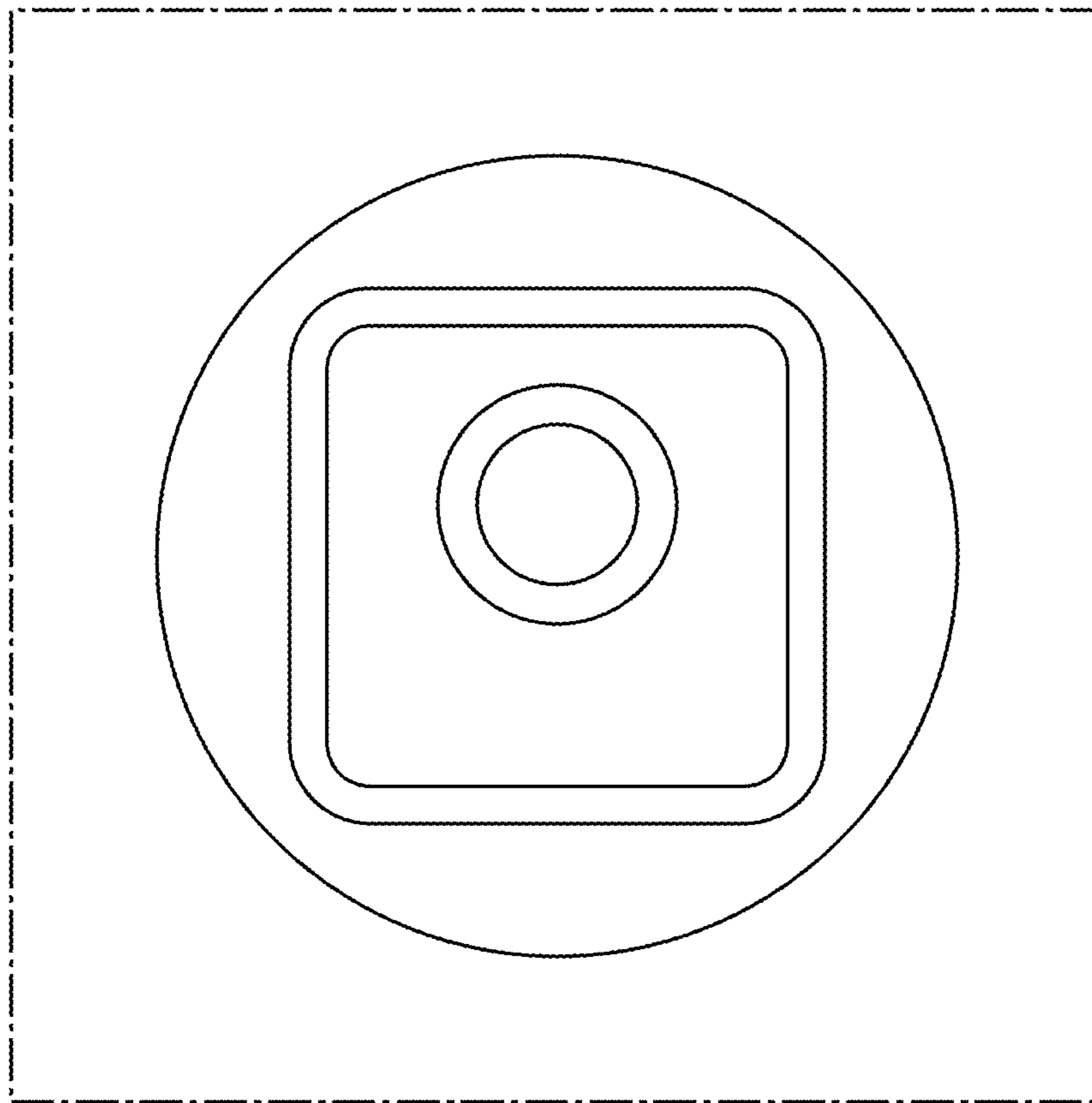


FIG. 4

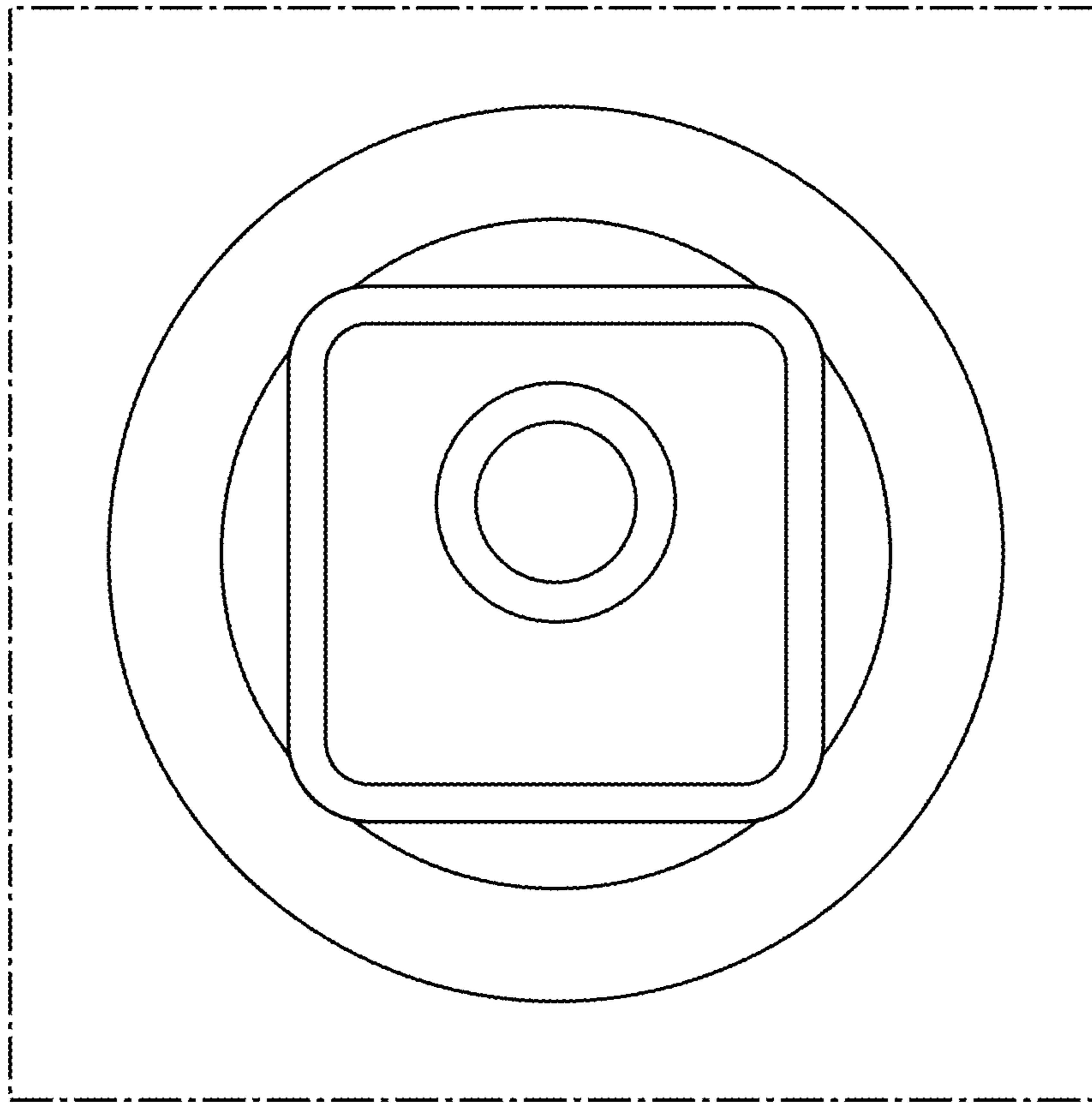


FIG. 5