



US00D829728S

(12) **United States Design Patent** (10) **Patent No.:** **US D829,728 S**  
**Yoon et al.** (45) **Date of Patent:** **\*\* Oct. 2, 2018**

(54) **DISPLAY SCREEN OR PORTION THEREOF WITH GRAPHICAL USER INTERFACE**

(71) Applicant: **Samsung Electronics Co., Ltd.**, Suwon-si (KR)  
(72) Inventors: **Byeongcheol Yoon**, Suwon-si (KR); **Jeongrok Park**, Hwaseong-si (KR); **Kyungwan Park**, Suwon-si (KR); **Soyoung Kim**, Suwon-si (KR); **Shiyun Cho**, Anyang-si (KR)  
(73) Assignee: **SAMSUNG ELECTRONICS CO., LTD.**, Suwon-si (KR)

(\*\*) Term: **15 Years**  
(21) Appl. No.: **29/578,902**

(22) Filed: **Sep. 26, 2016**

(30) **Foreign Application Priority Data**

Mar. 24, 2016 (KR) ..... 30-2016-0013727

(51) **LOC (11) Cl.** ..... **14-04**

(52) **U.S. Cl.**  
USPC ..... **D14/485**

(58) **Field of Classification Search**  
USPC ..... D14/485-495, 138 G; 345/1.1, 1.2, 345/2.1-2.3, 3.1, 902; 715/763, 810, 836, 715/837, 846, 847, 977; D21/329-332  
(Continued)

(56) **References Cited**

**U.S. PATENT DOCUMENTS**

D666,209 S \* 8/2012 Cranfill ..... D14/486  
D701,871 S \* 4/2014 Jung ..... D14/486  
(Continued)

**FOREIGN PATENT DOCUMENTS**

EM 001878737-0001 6/2011  
EM 002013680-0006 3/2012  
(Continued)

**OTHER PUBLICATIONS**

Phones Review, <http://www.phonesreview.co.uk/2013/07/16/flexible-android-smartphone-transforms-into-smart-watch/> (Last accessed Oct. 11, 2016).

(Continued)

*Primary Examiner* — Cathron C Brooks  
*Assistant Examiner* — Christian P. McLean  
(74) *Attorney, Agent, or Firm* — McAndrews Held & Malloy, Ltd.

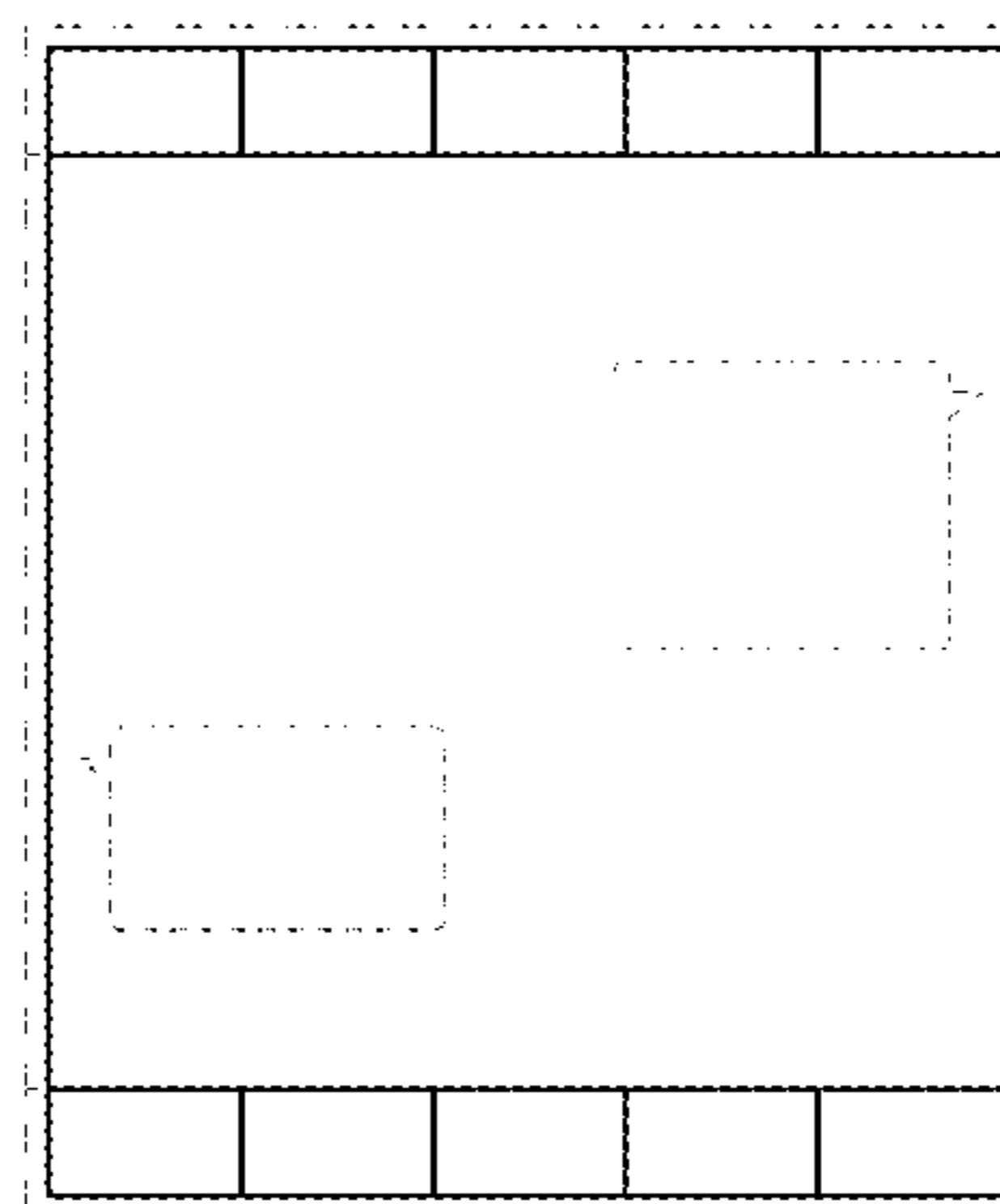
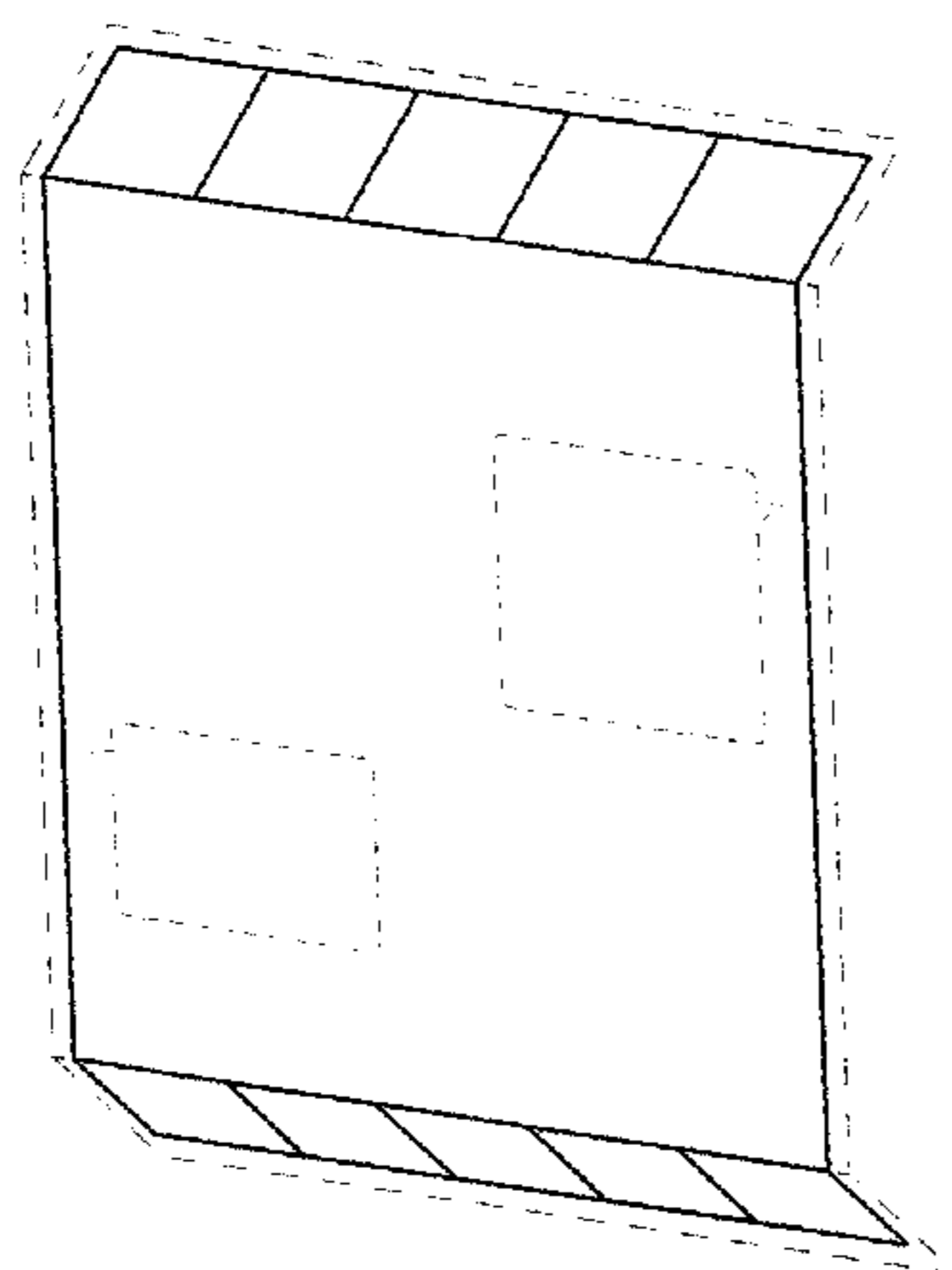
(57) **CLAIM**

The ornamental design for a display screen or portion thereof with graphical user interface, as shown and described.

**DESCRIPTION**

FIG. 1 is a front perspective view of a first embodiment of a display screen or portion thereof with graphical user interface showing our new design;  
FIG. 2 is a front elevation view thereof;  
FIG. 3 is a top plan view thereof;  
FIG. 4 is a bottom plan view thereof;  
FIG. 5 is a front perspective view of a second embodiment of a display screen or portion thereof with graphical user interface showing our new design;  
FIG. 6 is a front elevation view thereof;  
FIG. 7 is a top plan view thereof;  
FIG. 8 is a bottom plan view thereof;  
FIG. 9 is a front perspective view of a third embodiment of a display screen or portion thereof with graphical user interface showing our new design;  
FIG. 10 is a front elevation view thereof;  
FIG. 11 is a top plan view thereof; and  
FIG. 12 is a bottom plan view thereof.  
The outer perimeter shown in broken lines in the drawings represents a display screen or portion thereof and forms no part of the claimed design. The remaining broken lines in the drawings illustrate portions of the graphical user interface that form no part of the claimed design.

**1 Claim, 6 Drawing Sheets**



(58) **Field of Classification Search**

CPC .... G06F 3/048; G06F 3/0481; G06F 3/04812;  
 G06F 3/04817; G06F 3/0482; G06F  
 3/0483; G06F 3/0484; G06F 3/04847;  
 G06F 3/0485; G06F 3/04855; G06F  
 3/04886; G06Q 30/00; H03J 1/00; H03J  
 1/0008; H03J 1/0016; H03J 1/0025;  
 H04N 5/00; H04N 5/08; H04N 5/14;  
 H04N 5/222; H04N 5/225; H04N 5/232;  
 H04N 5/445; H04N 5/44543; H04N 5/45;  
 H04N 2005/44517; H04N 2005/44521;  
 H04N 2005/44526; H04N 2005/4453;  
 H04N 2005/44534; H04N 2005/44539;  
 H04N 2005/44547; H04N 2005/44556;  
 H04N 2005/4456; H04N 2005/44565;  
 H04N 2005/44569; H04N 2005/44573;  
 H04N 21/00; H04N 21/234; H04N  
 21/431; H04N 21/4312; H04N 21/4314;  
 H04N 21/4316

See application file for complete search history.

(56) **References Cited**

U.S. PATENT DOCUMENTS

D711,897 S \* 8/2014 Chaudhri ..... D14/486  
 D720,763 S \* 1/2015 Lee ..... D14/486

D730,366 S \* 5/2015 Brush ..... D14/485  
 D731,504 S \* 6/2015 Kyakuno ..... D14/485  
 D737,295 S \* 8/2015 Jung ..... D14/486  
 D737,298 S \* 8/2015 Jung ..... D14/486  
 D741,339 S \* 10/2015 Jung ..... D14/485  
 D752,077 S \* 3/2016 Guesnon, Jr. .... D14/486  
 D759,067 S \* 6/2016 Kim ..... D14/486  
 D760,764 S \* 7/2016 Hwang ..... D14/487  
 D763,898 S \* 8/2016 Raykovich ..... D14/486  
 D769,917 S \* 10/2016 Kim ..... D14/486  
 D771,080 S \* 11/2016 Kang ..... D14/486  
 D791,801 S \* 7/2017 Li ..... D14/486  
 D794,063 S \* 8/2017 Yang ..... D14/487  
 D815,660 S \* 4/2018 Spector ..... D14/486

FOREIGN PATENT DOCUMENTS

EM 001392369-0008 3/2014  
 EM 002740746-0010 9/2015

OTHER PUBLICATIONS

Ali, Imtiaz, "Power in Your Pocket, the Samsung Galaxy S6 Edge",  
 Techbead, Jun. 22, 2015, <http://www.techbead.com/power-in-your-pocket-the-samsung-galaxy-s6-edge/> (Last accessed Oct. 11, 2016).

\* cited by examiner

FIG. 1

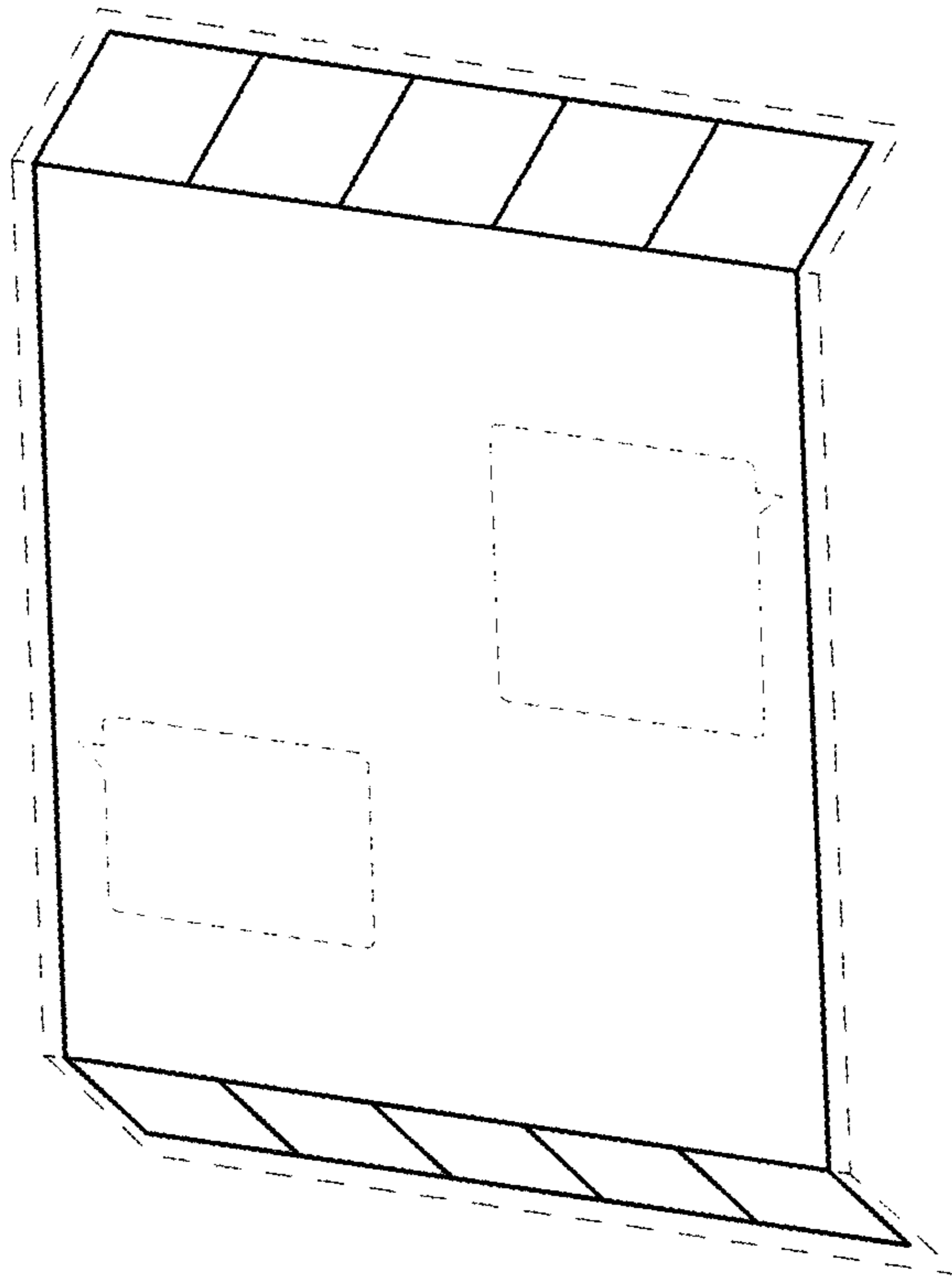


FIG. 2

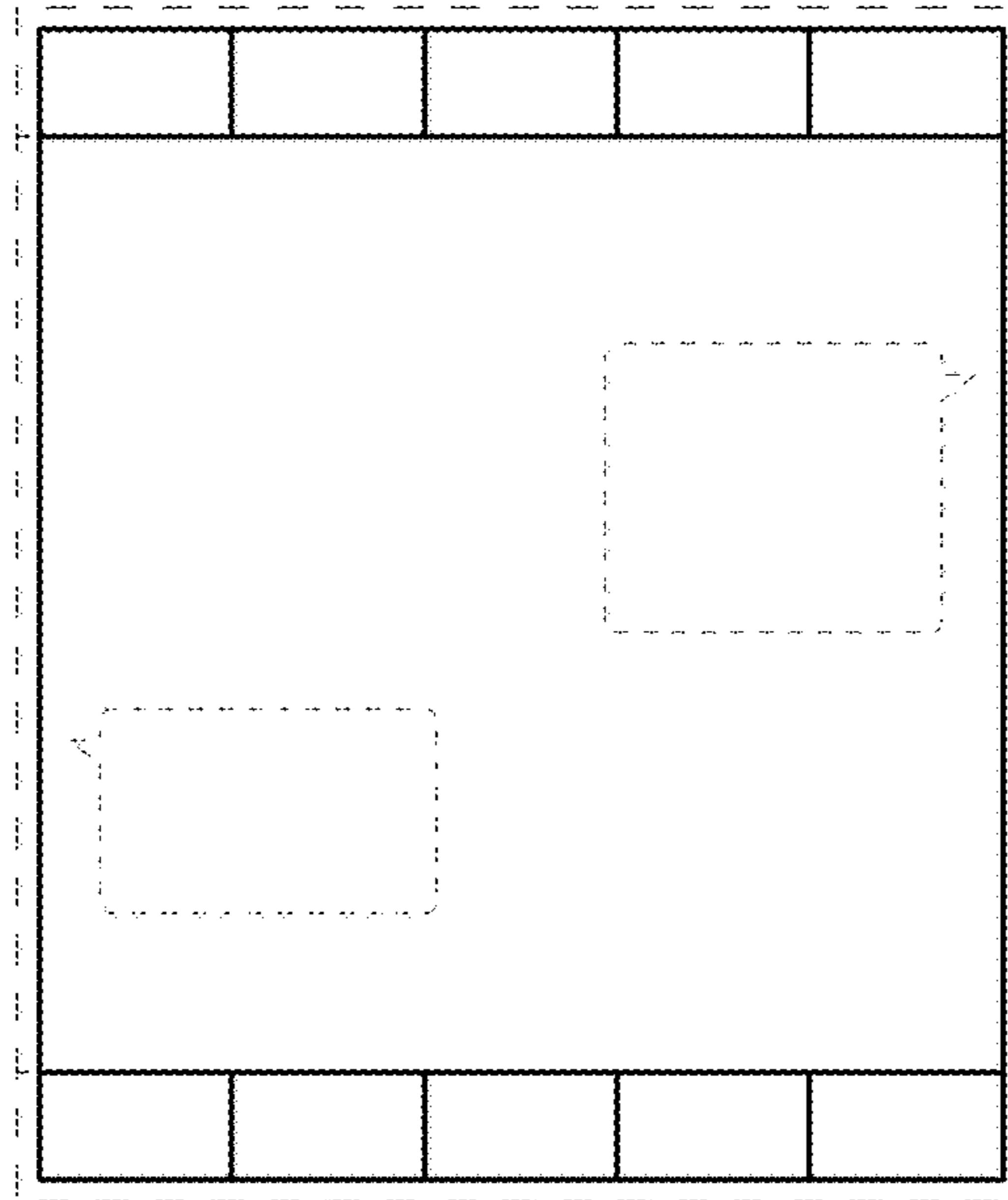


FIG. 3



FIG. 4

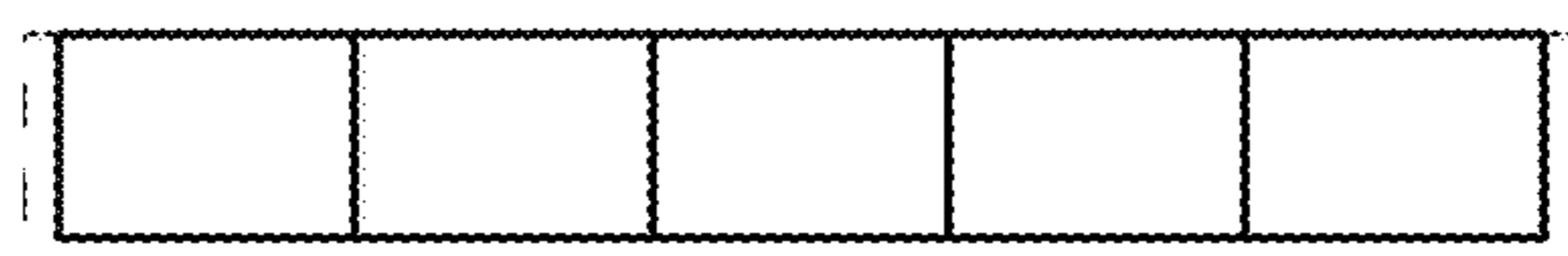


FIG. 5

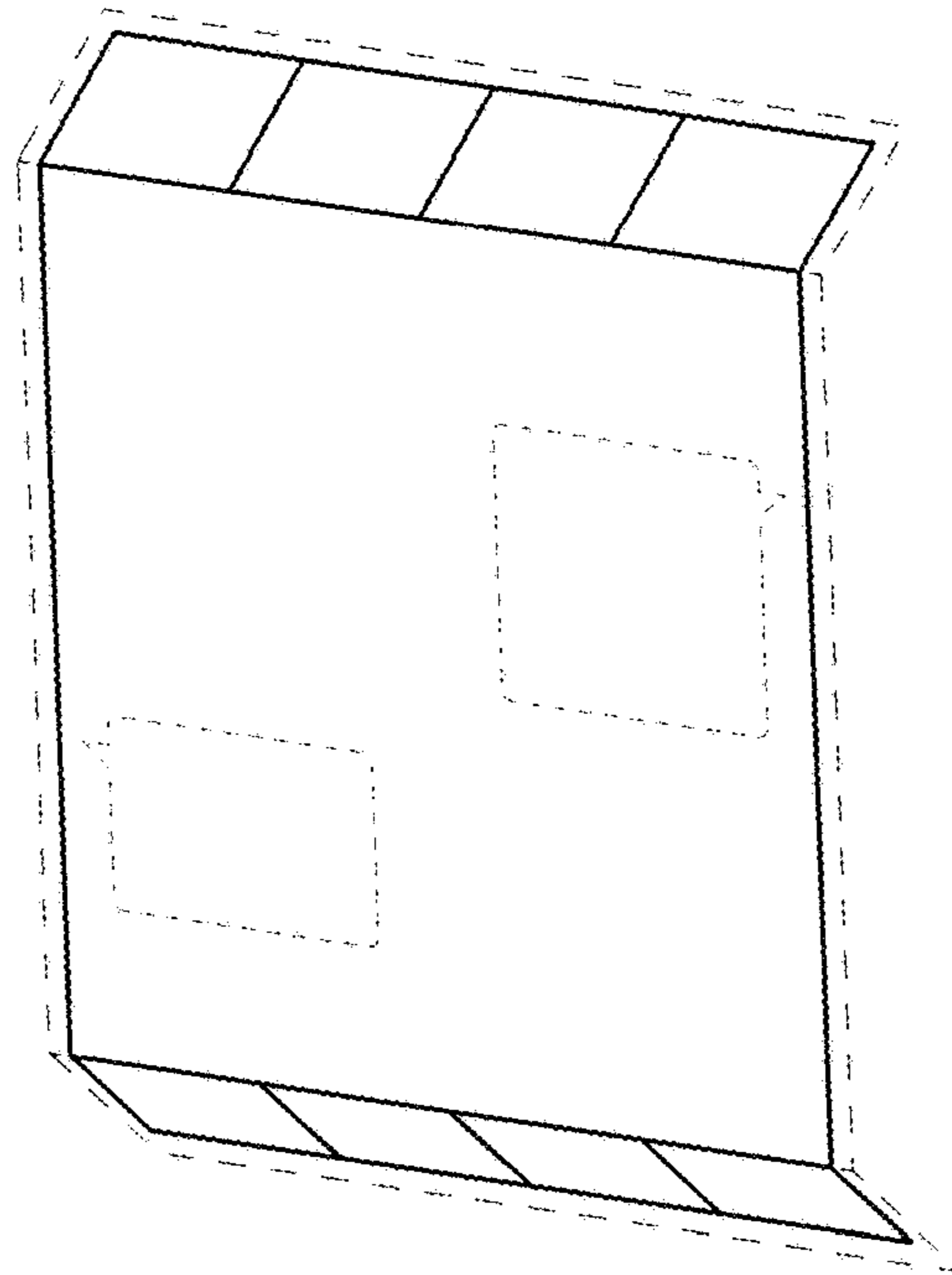


FIG. 6

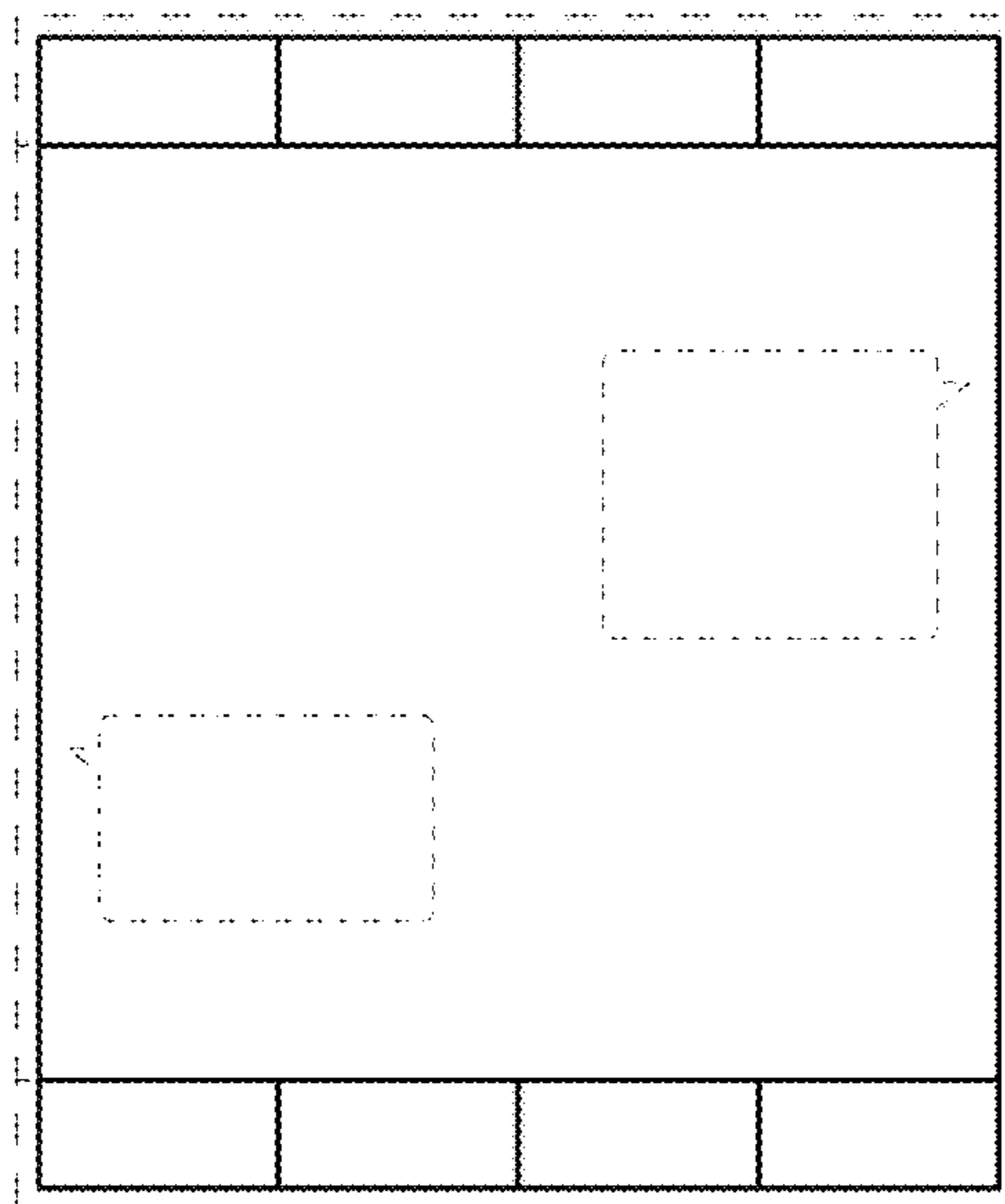


FIG. 7

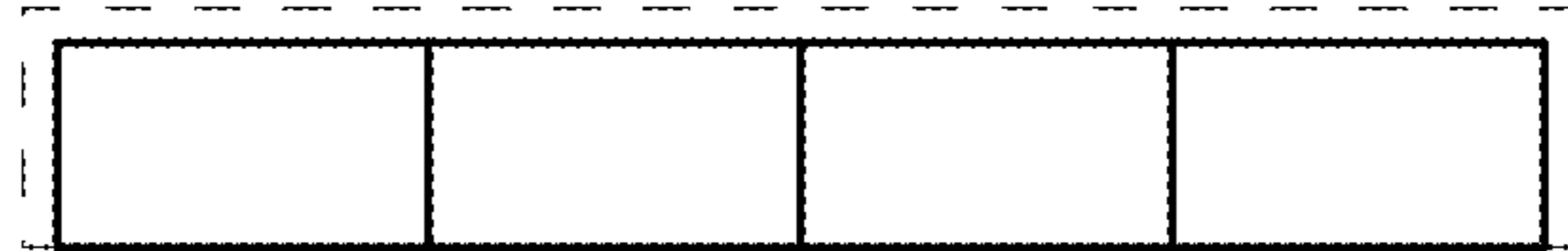


FIG. 8

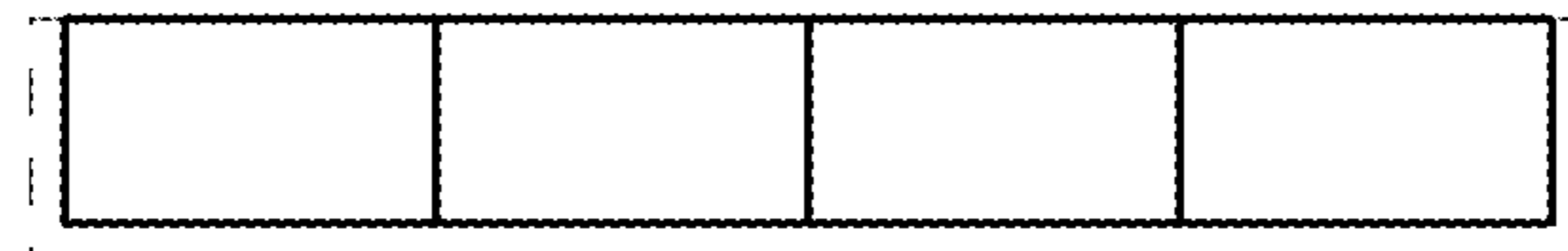


FIG. 9

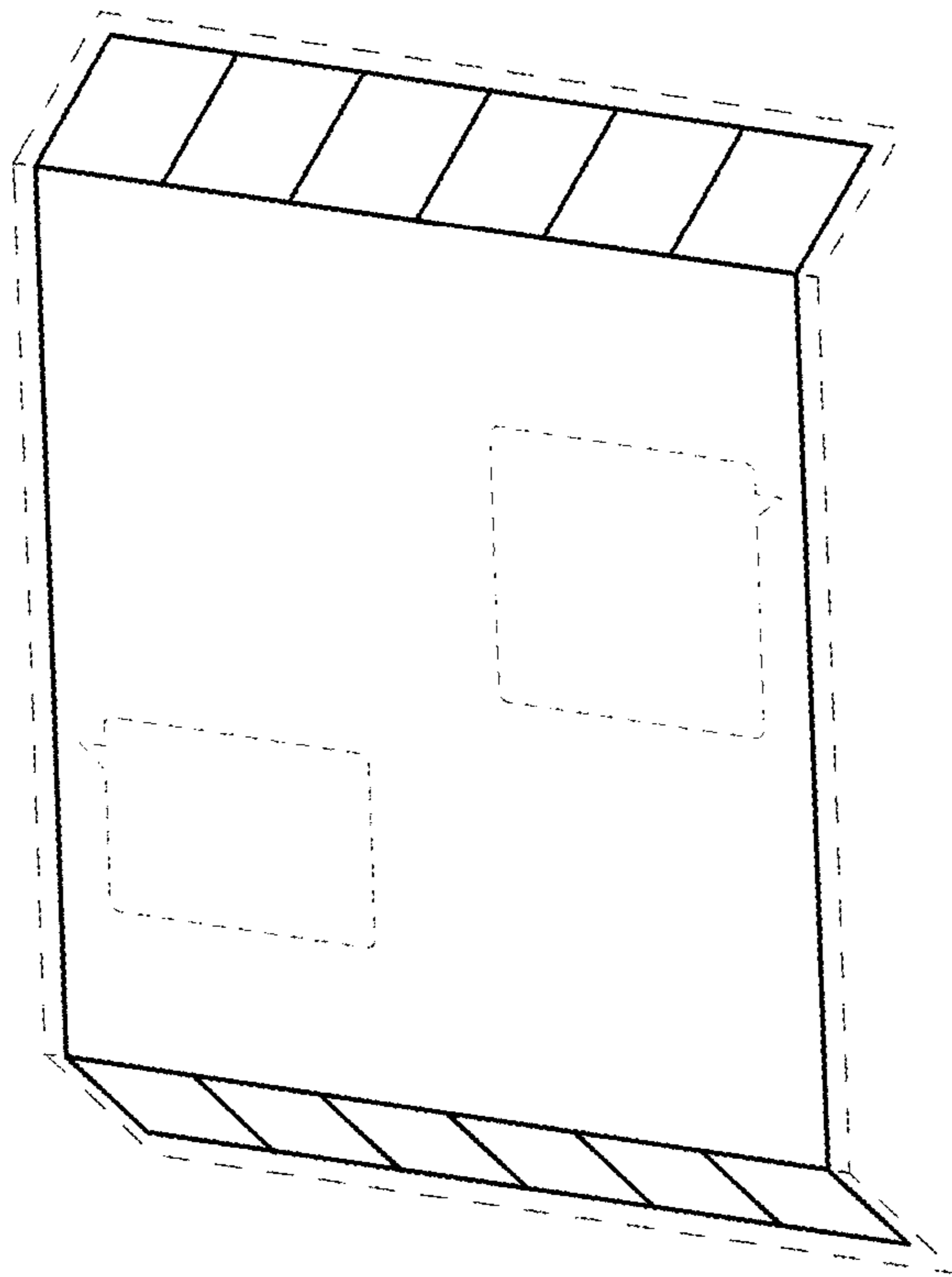


FIG. 10

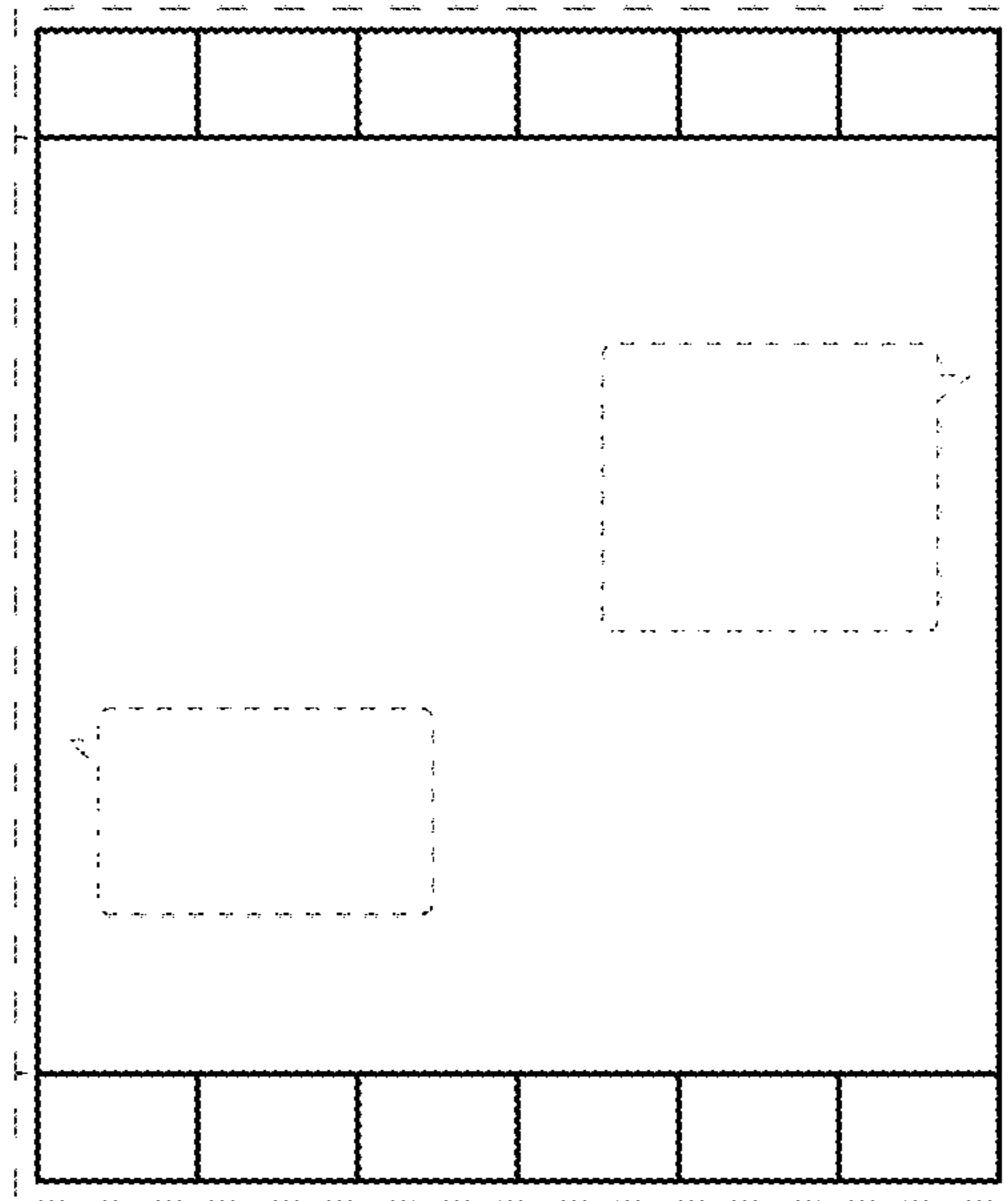


FIG. 11

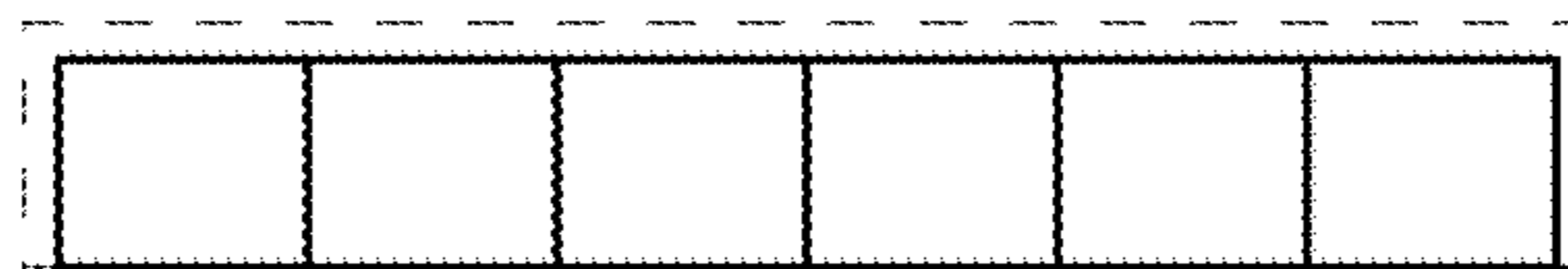


FIG. 12

