



US00D829727S

(12) **United States Design Patent**
Chen et al.

(10) **Patent No.:** **US D829,727 S**

(45) **Date of Patent:** **** Oct. 2, 2018**

(54) **DATA ACCESSING DEVICE**

(71) Applicant: **Kingston Digital, Inc.**, Fountain Valley, CA (US)

(72) Inventors: **Lung Yuan Chen**, Hsinchu (TW); **Wei Min Liang**, Hsinchu (TW); **Peter Leekuo Chou**, Fountain Valley, CA (US); **Baron King Lee**, Fountain Valley, CA (US)

(73) Assignee: **Kingston Digital, Inc.**, Fountain Valley, CA (US)

(**) Term: **15 Years**

(21) Appl. No.: **29/613,840**

(22) Filed: **Aug. 14, 2017**

(30) **Foreign Application Priority Data**

Mar. 14, 2017 (TW) 106301282

(51) **LOC (11) Cl.** **14-03**

(52) **U.S. Cl.**
USPC **D14/480.1**

(58) **Field of Classification Search**
USPC D14/435.1, 480.1–480.7, 411, 433, 436,
D14/484.1, 137, 155, 203.1–203.8, 240,
D14/242; D13/133, 154
See application file for complete search history.

(56) **References Cited**

U.S. PATENT DOCUMENTS

D489,688 S * 5/2004 Jiang D14/435.1
D542,789 S * 5/2007 Depay D14/435.1

D579,934 S * 11/2008 Okamoto D14/435.1
D601,142 S * 9/2009 Lindley D14/240
D622,276 S * 8/2010 Tran D14/480.1
D629,408 S * 12/2010 Otsuka D14/480.5
D711,391 S * 8/2014 Lee D14/480.7
D737,701 S * 9/2015 Payne D10/78
D759,029 S * 6/2016 Loo D14/480.1
D771,057 S * 11/2016 Wurts D14/480.1
D774,038 S * 12/2016 Emami D14/480.1
D781,867 S * 3/2017 Aulert D14/480.1
D803,226 S * 11/2017 Lee D14/480.1

* cited by examiner

Primary Examiner — Angela J Lee

(74) *Attorney, Agent, or Firm* — Skaar Ulbrich Macari, P.A.

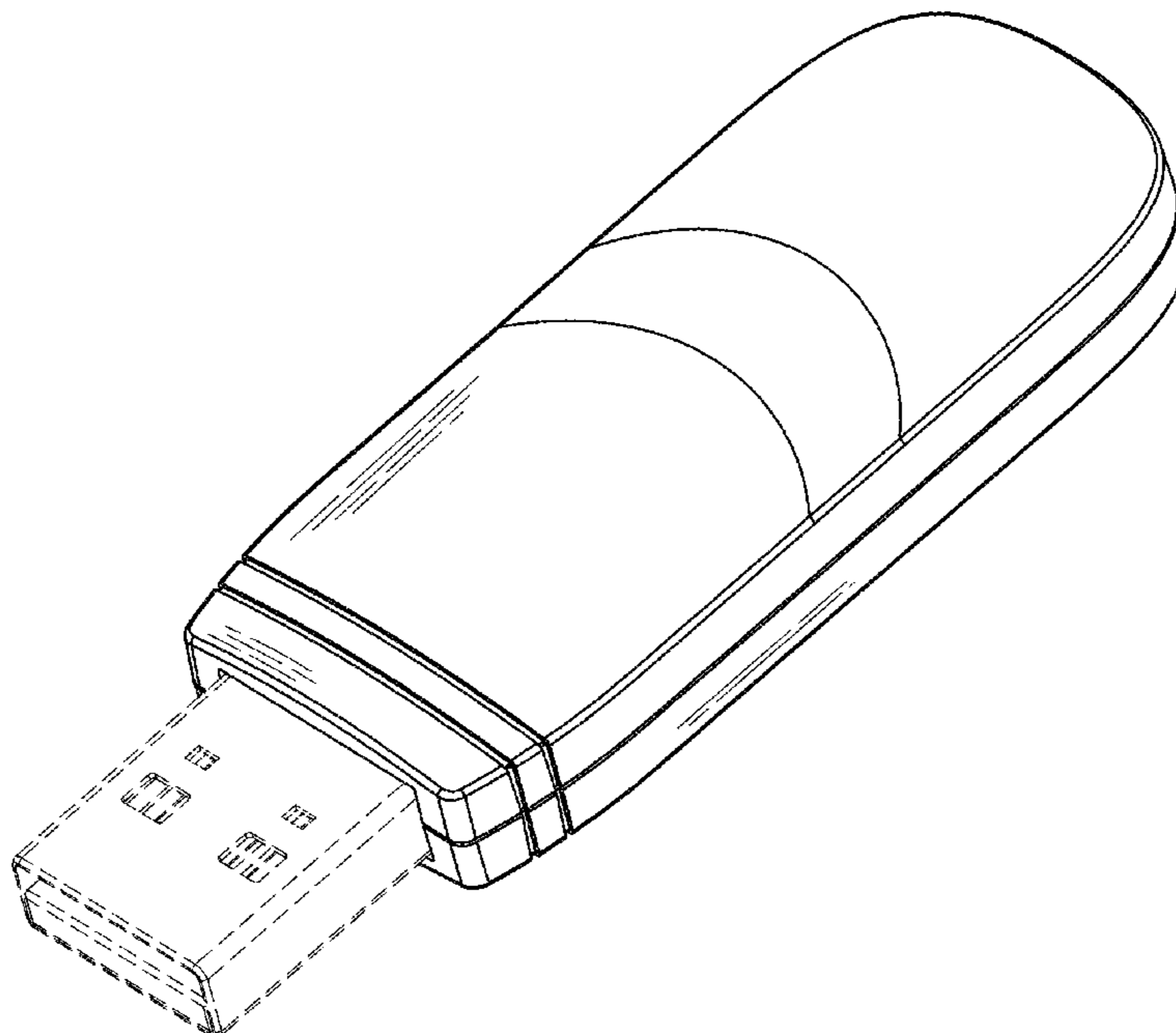
(57) **CLAIM**

The ornamental design for a data accessing device, as shown and described.

DESCRIPTION

FIG. 1 is a first perspective view of a data accessing device showing the claimed design;
FIG. 2 is a second perspective view of FIG. 1;
FIG. 3 is a third perspective view of FIG. 1;
FIG. 4 is a front elevational view of FIG. 1;
FIG. 5 is a rear elevational view of FIG. 1;
FIG. 6 is a left side elevational view of FIG. 1;
FIG. 7 is a right side elevational view of FIG. 1;
FIG. 8 is a top plan view of FIG. 1; and,
FIG. 9 is a bottom plan view of FIG. 1.
The broken lines in the figures represent portions of the article which form no part of the claimed design.

1 Claim, 8 Drawing Sheets



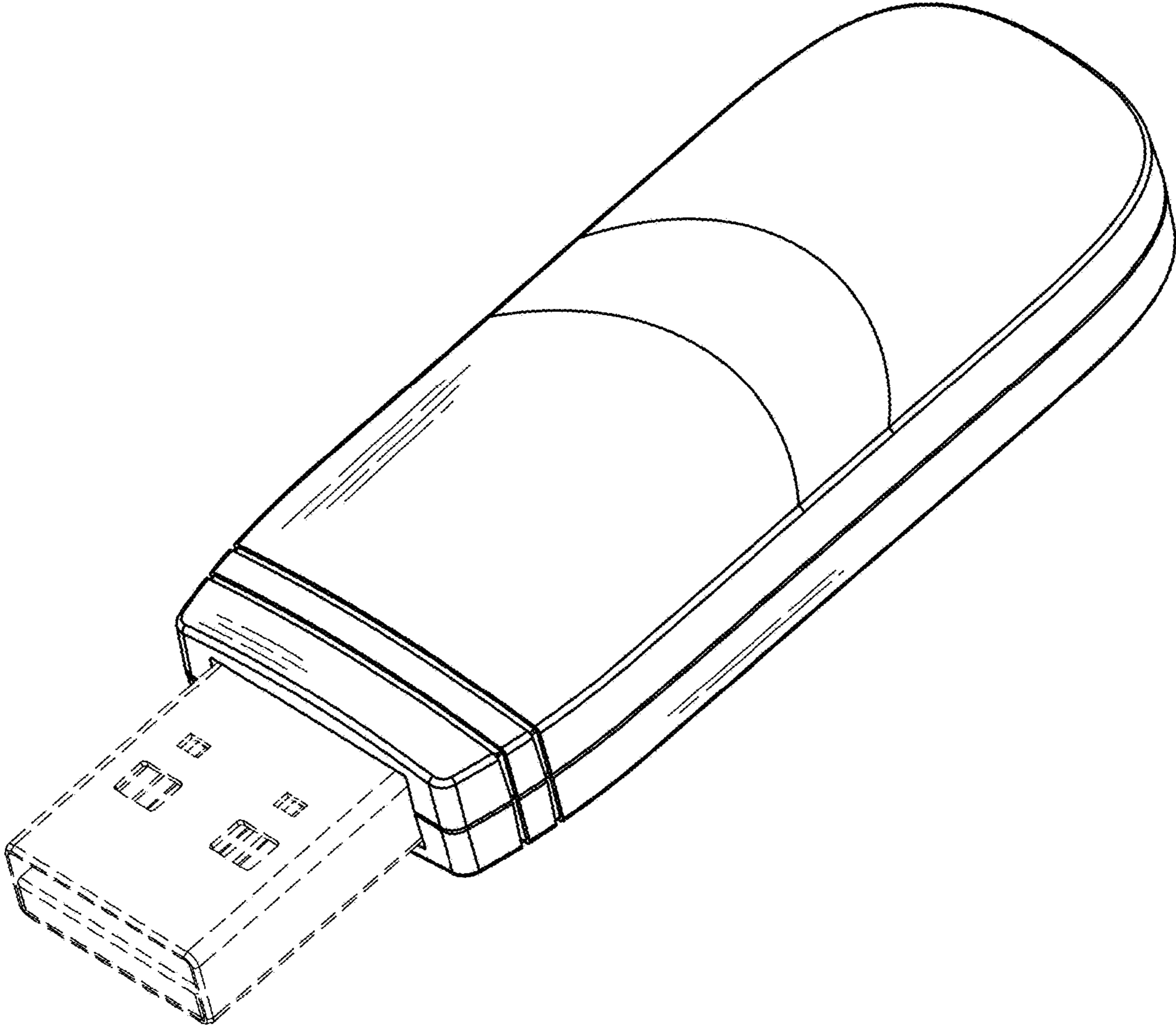


FIG.1

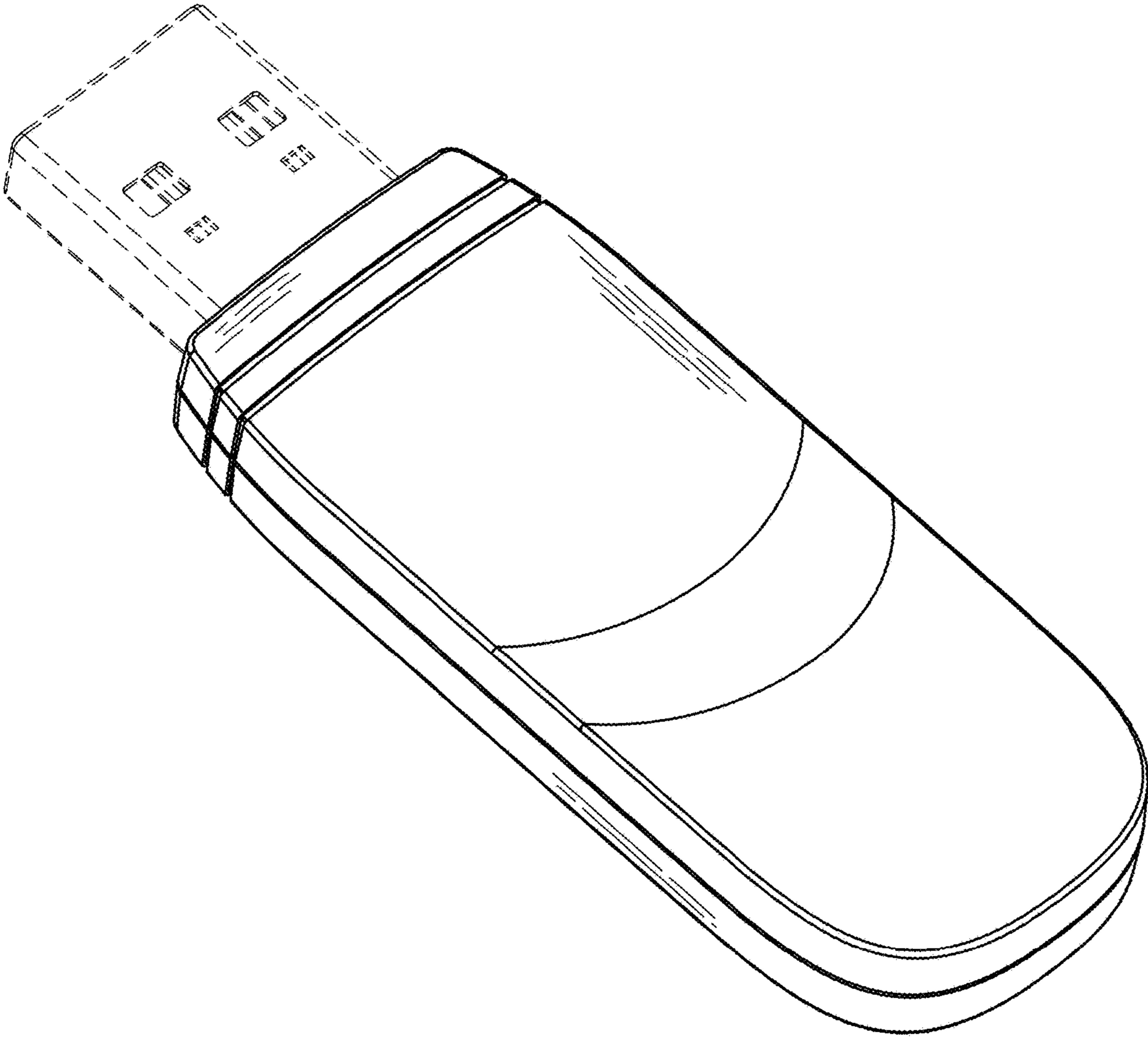


FIG.2

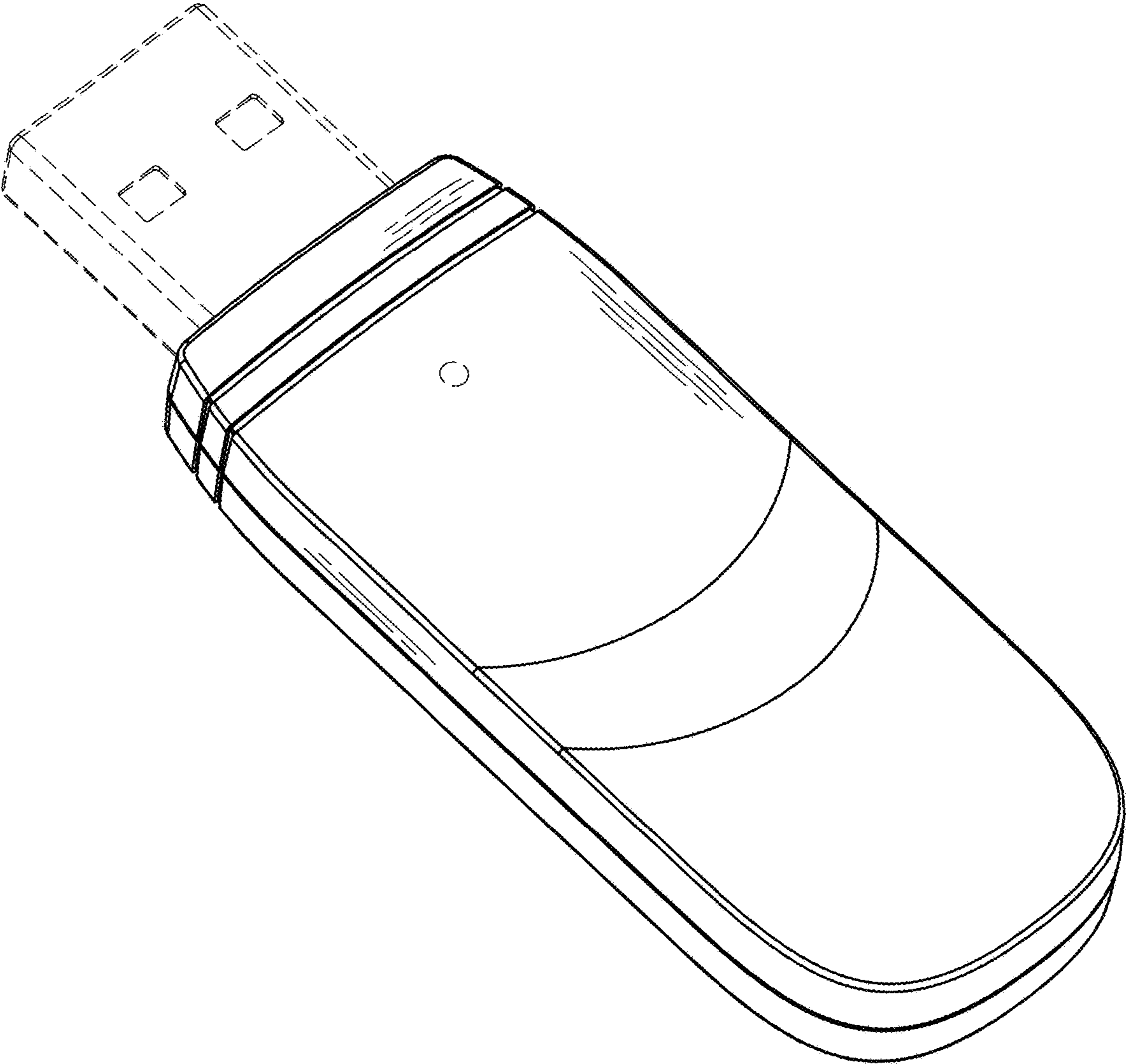


FIG.3

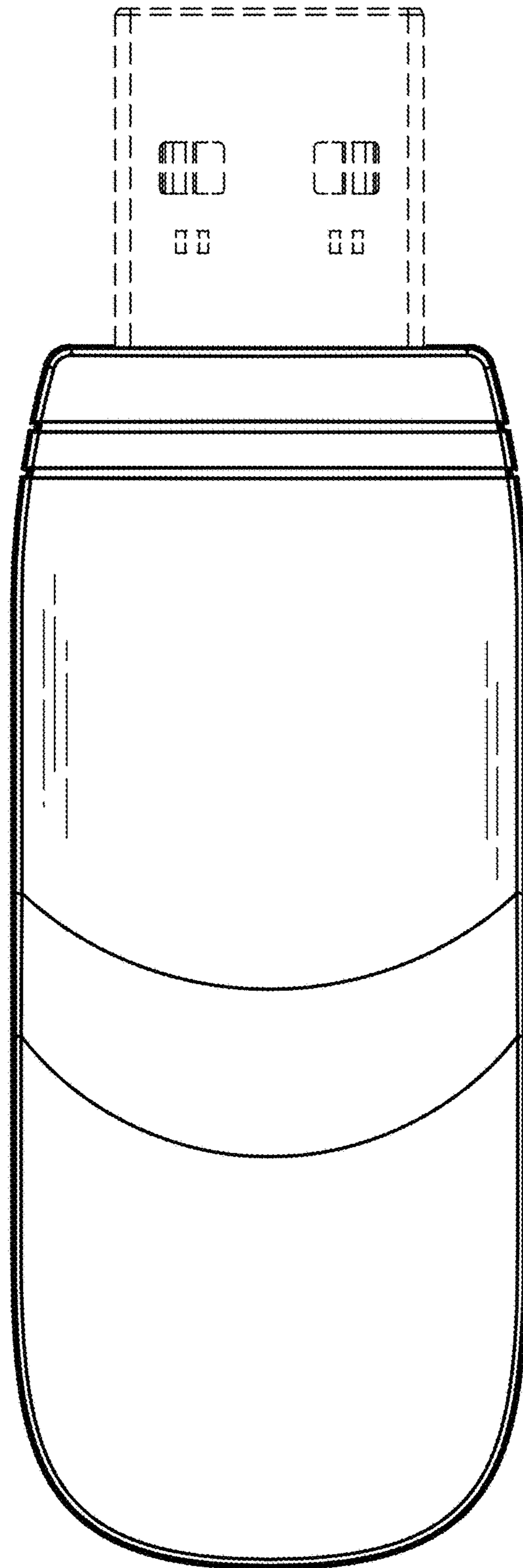


FIG.4

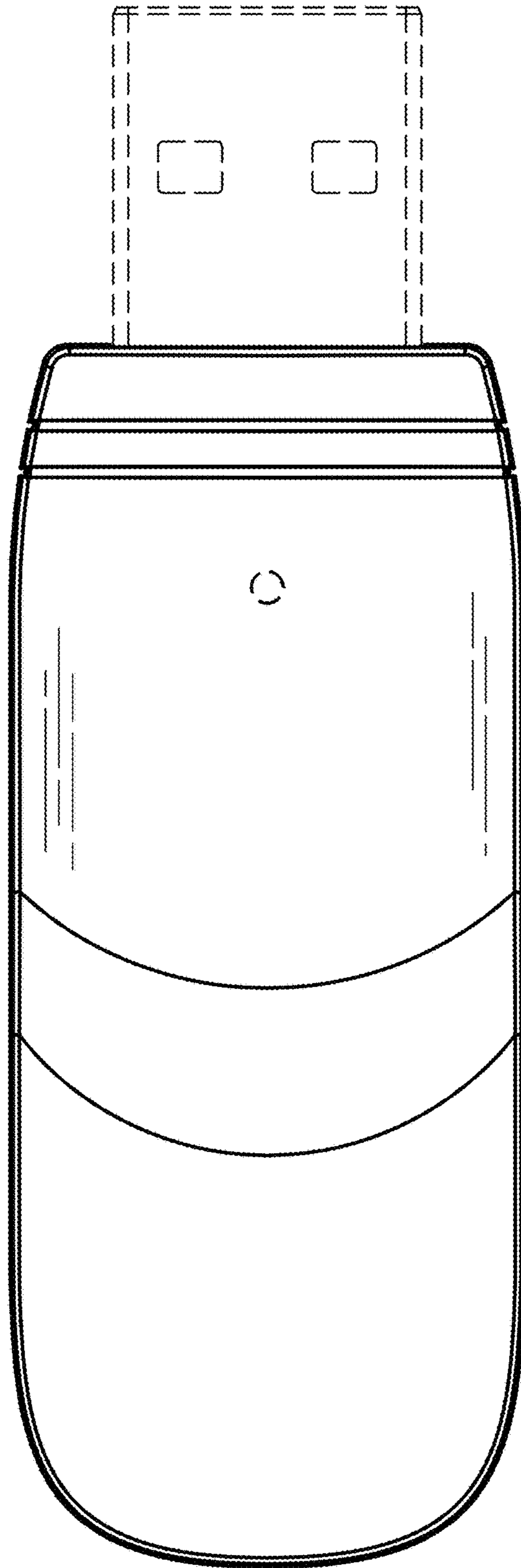


FIG.5

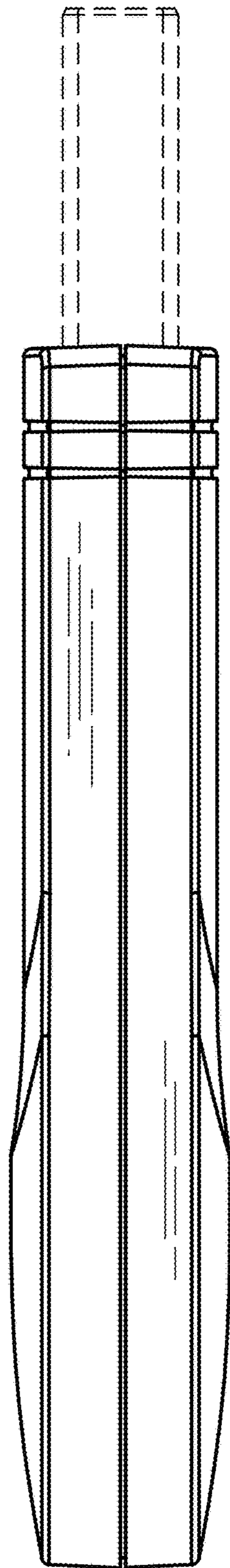


FIG.6

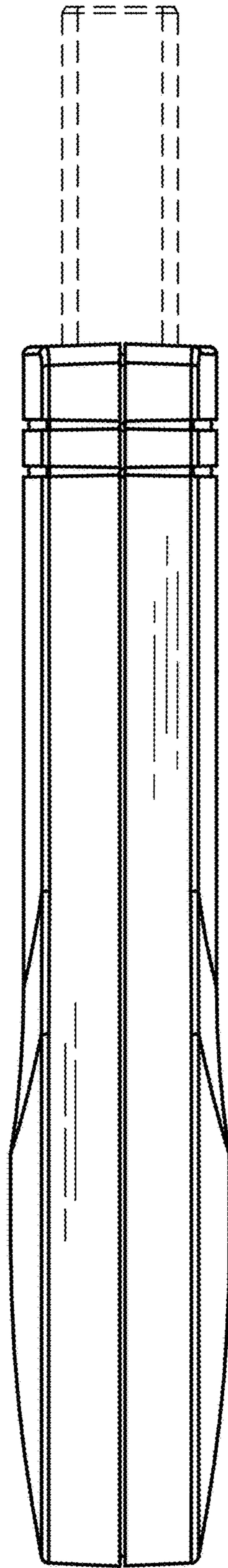


FIG. 7

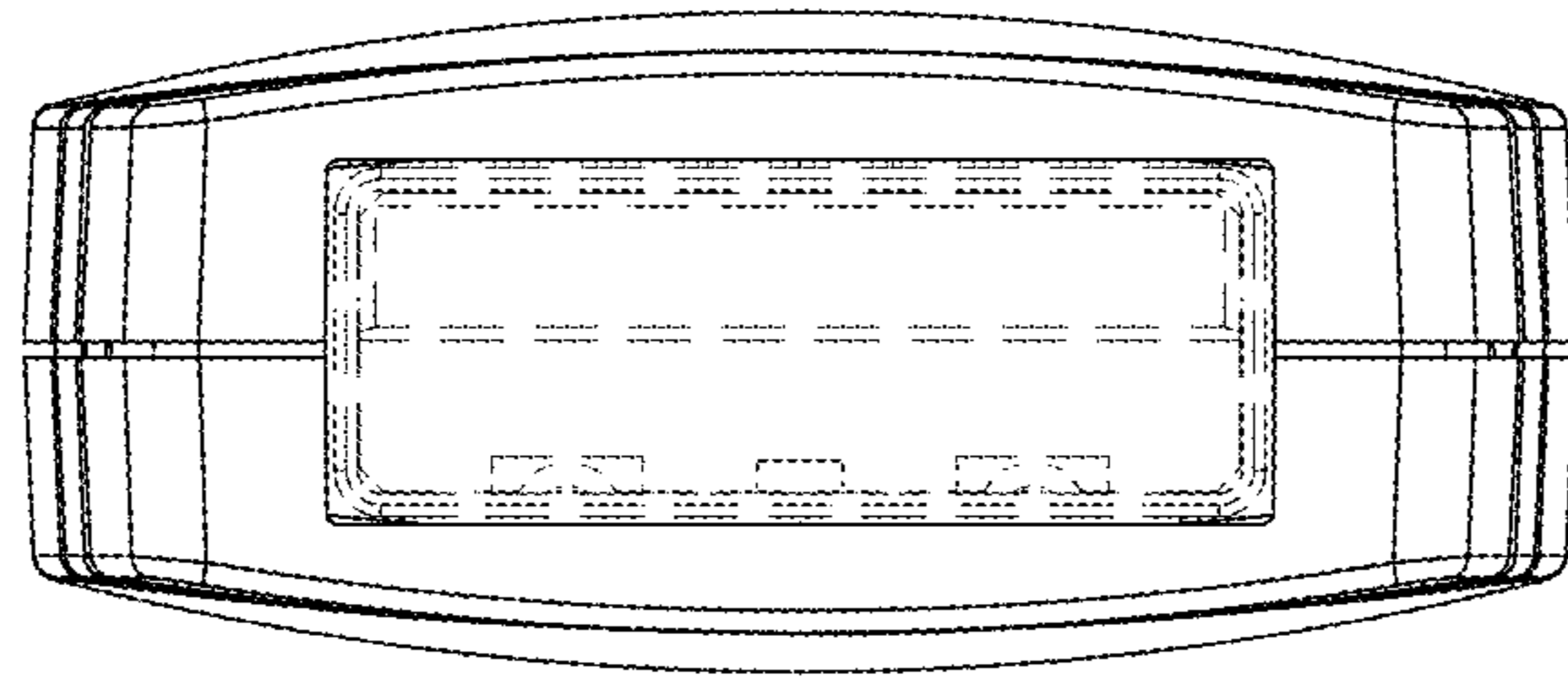


FIG. 8

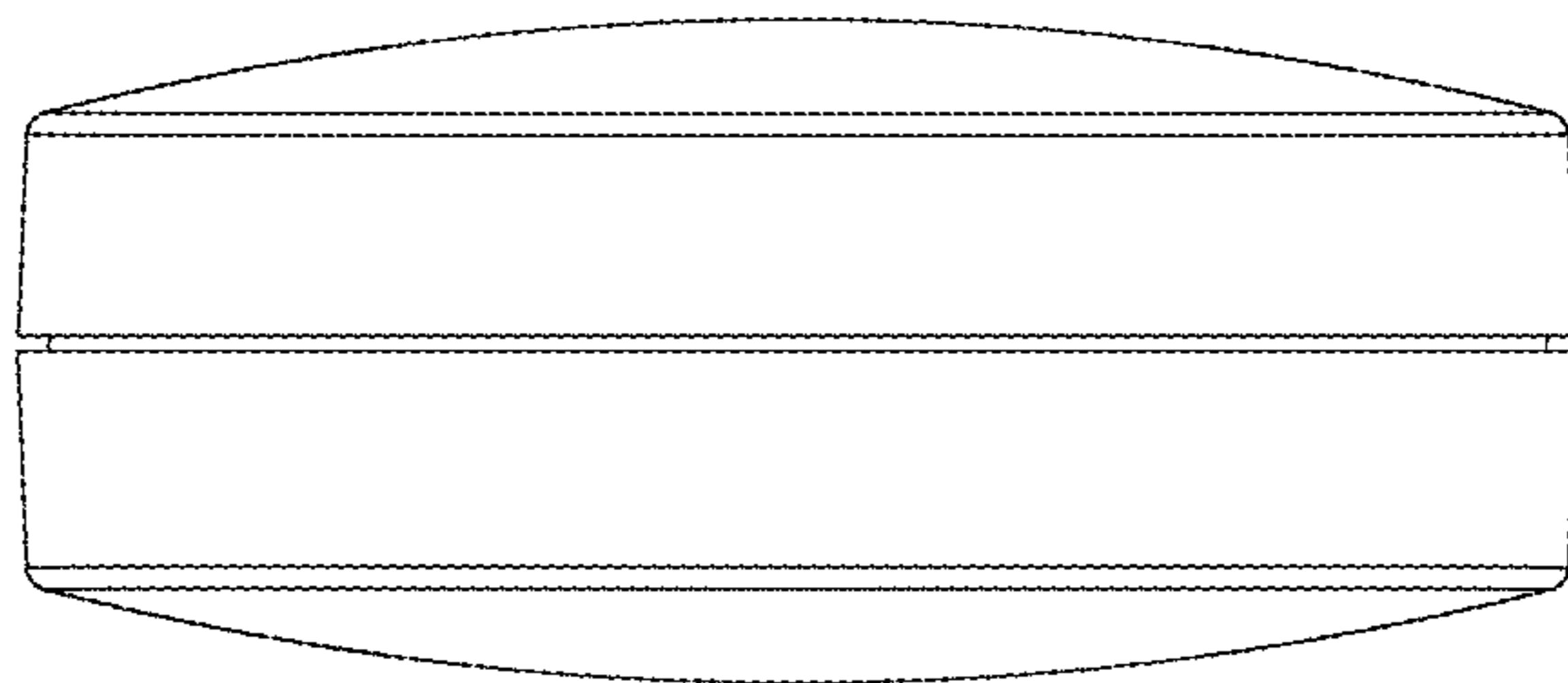


FIG. 9