



US00D829725S

(12) **United States Design Patent**
Luo

(10) **Patent No.:** **US D829,725 S**
(45) **Date of Patent:** **** Oct. 2, 2018**

(54) **STAND FOR REMOTE COMPUTING DEVICES**
(71) Applicant: **Shenzhen Yewen Technology and Development Co. Ltd., Shenzhen (CN)**
(72) Inventor: **Liwen Luo, Shenzhen (CN)**
(**) Term: **15 Years**

D667,012 S *	9/2012	Chen	D14/447
D676,055 S *	2/2013	Izen	D14/447
D703,676 S *	4/2014	Smith	D14/447
D714,297 S *	9/2014	Poulsen	D14/447
D722,317 S *	2/2015	Parameshwara	D14/447
D726,733 S *	4/2015	Specht	D14/447
D752,595 S *	3/2016	Heckler	D14/447
D754,135 S *	4/2016	Cromack	D14/447
D756,367 S *	5/2016	Kim	D14/447
D791,861 S *	7/2017	Battle	D14/447

* cited by examiner

(21) Appl. No.: **29/614,389**

(22) Filed: **Aug. 18, 2017**

(51) **LOC (11) Cl.** **08-07**

(52) **U.S. Cl.**
USPC **D14/447**

(58) **Field of Classification Search**
USPC D14/447, 432, 434, 439, 440, 451, 452,
D14/457, 239; D8/363, 373, 380;
D6/406.3, 406.4, 406.5, 406.6; D12/415
CPC A47B 21/04; A47B 2097/006; A47B
2097/005; A47B 2023/049; A45C
2011/002; A45C 2011/003; F16M
2200/00; F16M 13/00
See application file for complete search history.

(56) **References Cited**

U.S. PATENT DOCUMENTS

D652,043 S *	1/2012	Lee	D14/447
D665,812 S *	8/2012	Huang	D14/447

Primary Examiner — Angela J Lee

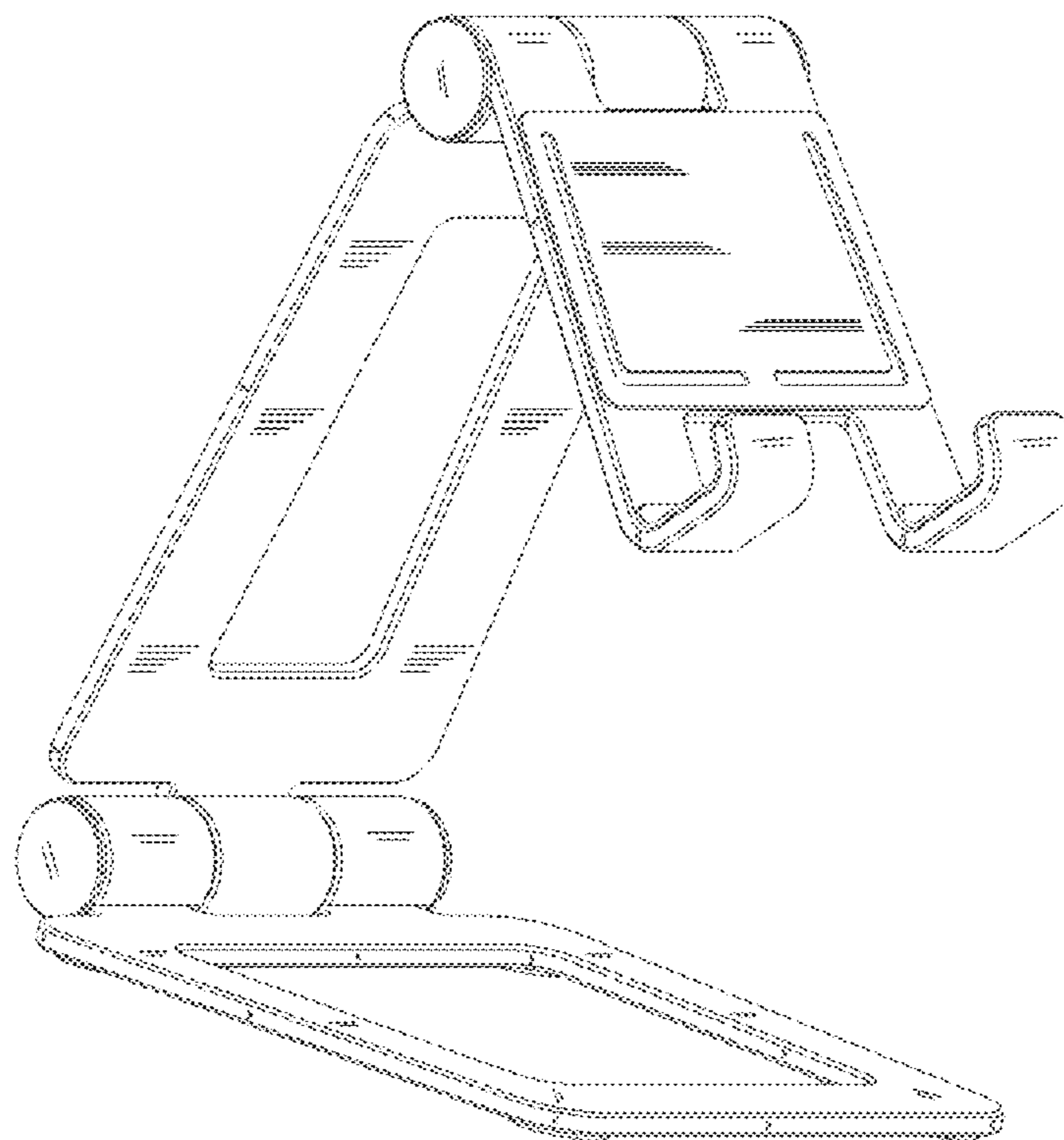
(57) **CLAIM**

The ornamental design for a stand for remote computing devices, as shown and described.

DESCRIPTION

FIG. 1 is a front, side, and top perspective view of a stand for remote computing devices embodying the new design; FIG. 2 is a front view thereof; FIG. 3 is a back view thereof; FIG. 4 is a first side view thereof; FIG. 5 is a second side view thereof; FIG. 6 is a top view thereof; and, FIG. 7 is a bottom view thereof. The broken lines depict portions of a stand for remote computing devices in which the design is embodied and form no part of the claimed design.

1 Claim, 7 Drawing Sheets



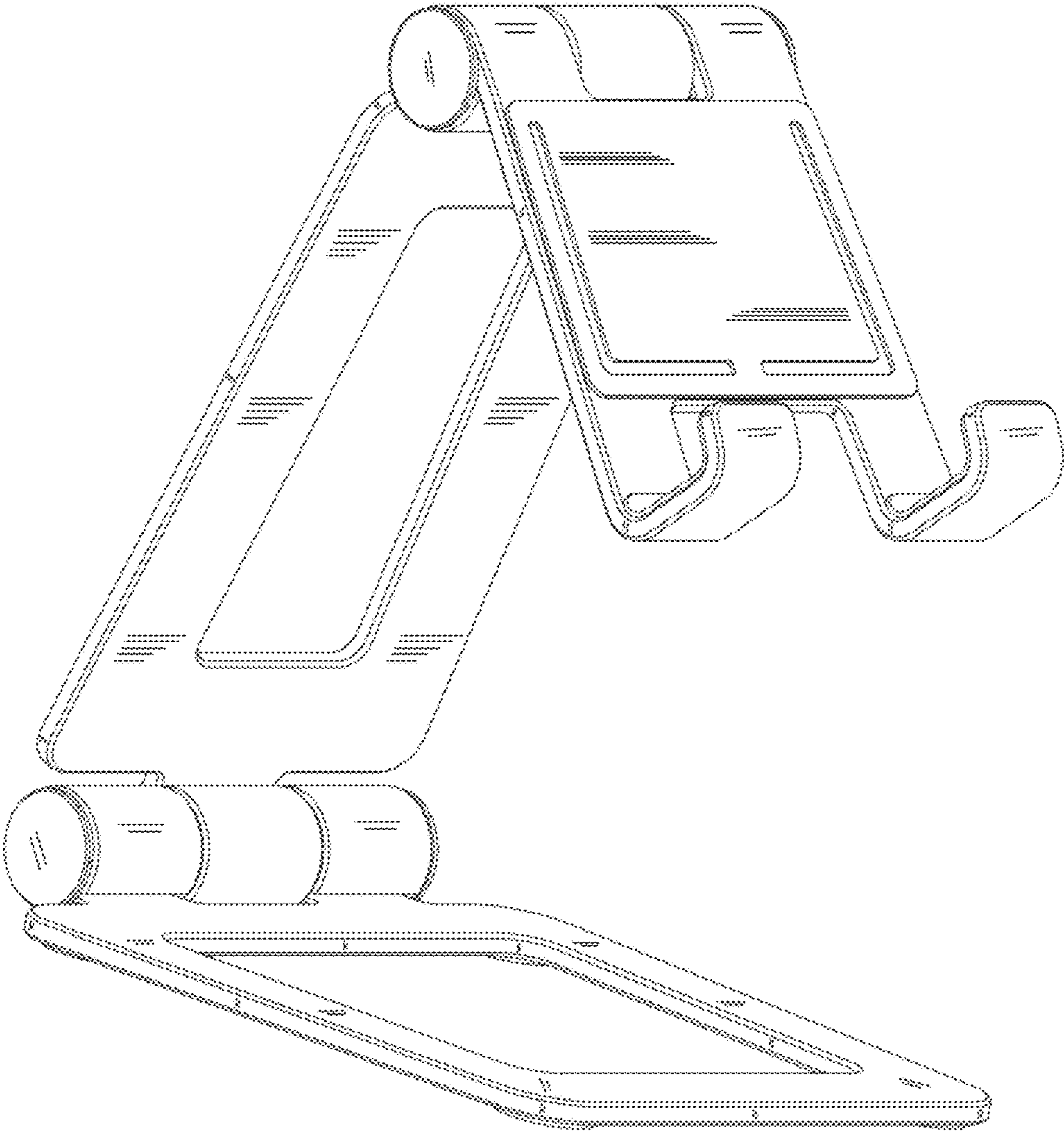


FIGURE 1

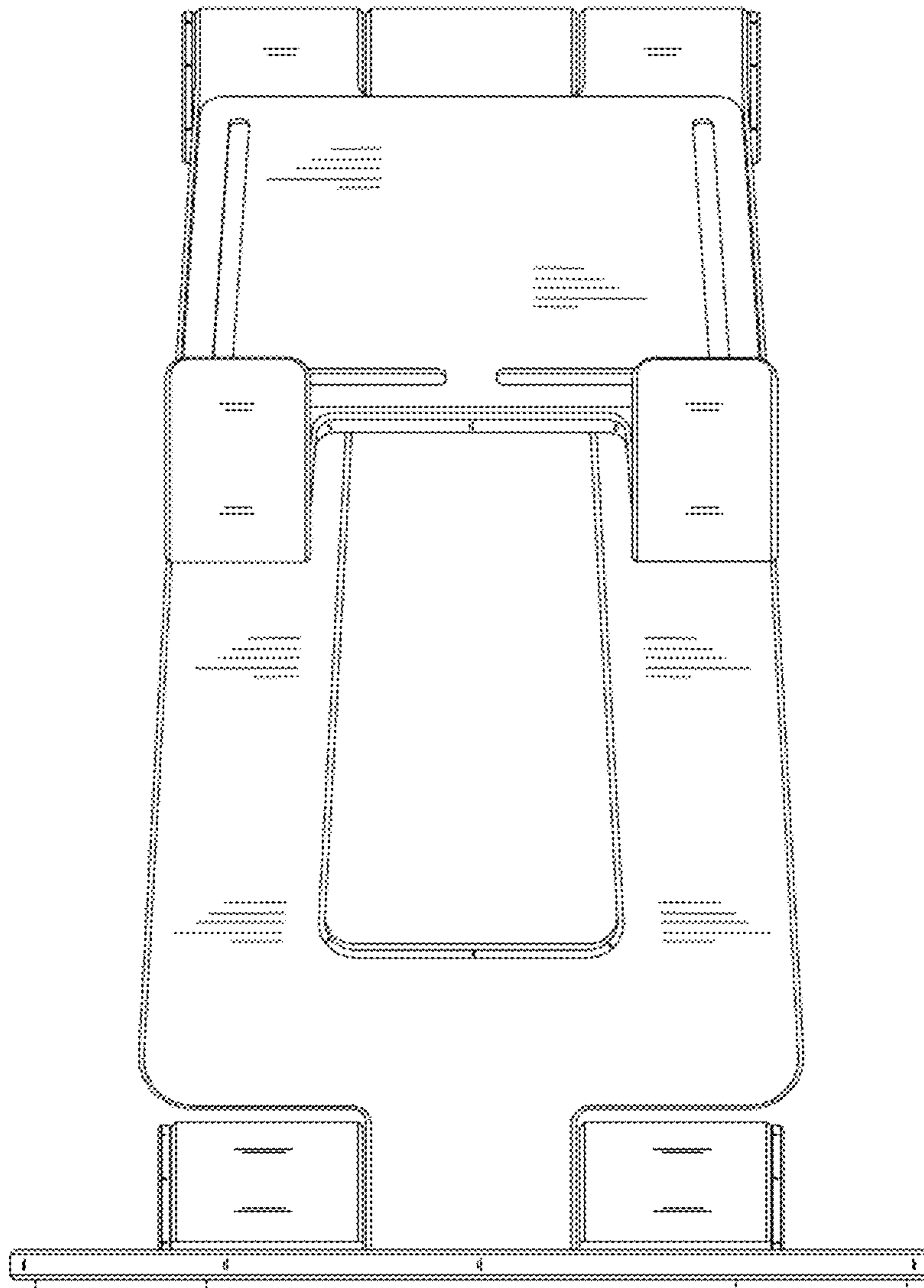


FIGURE 2

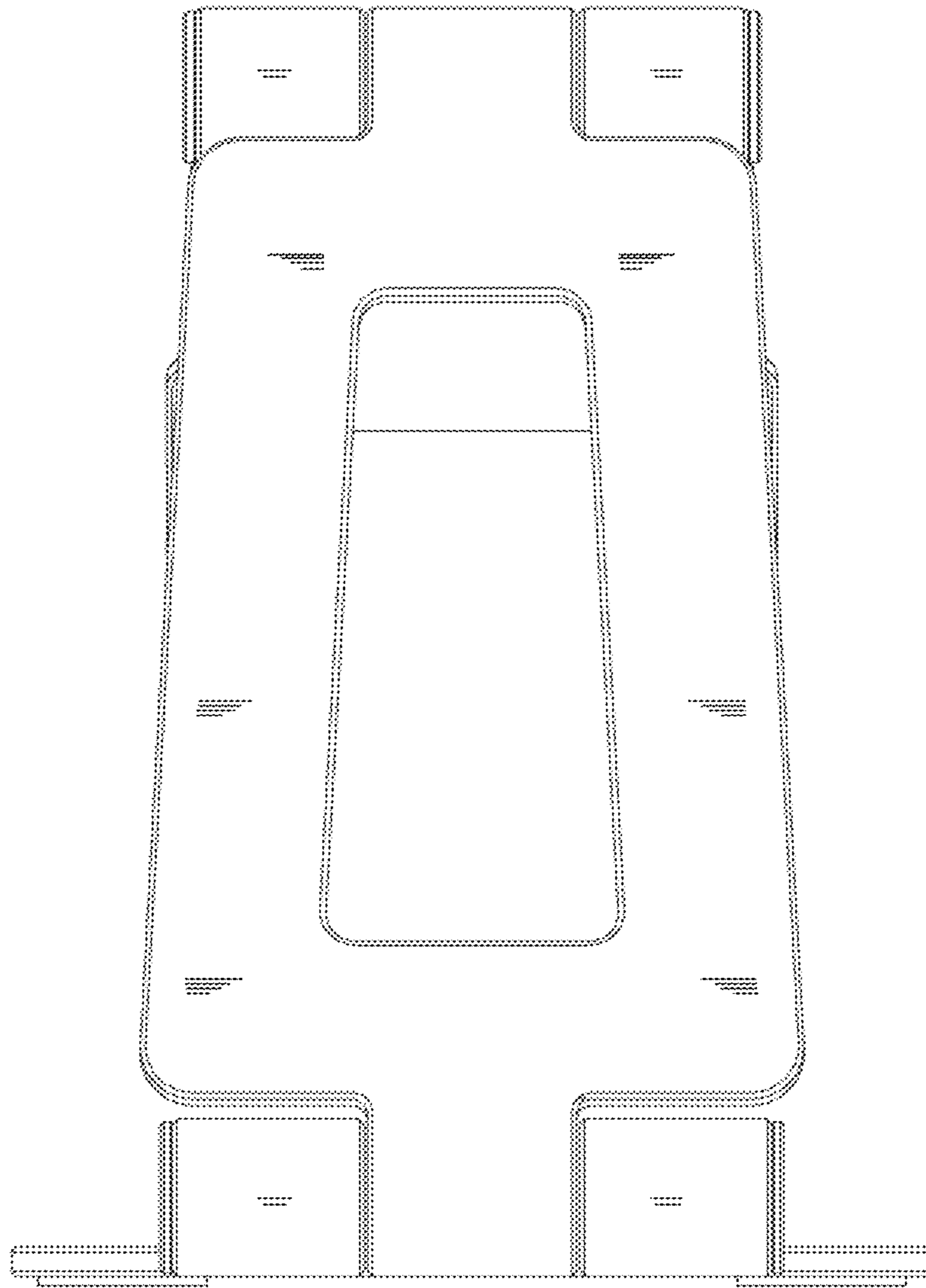


FIGURE 3

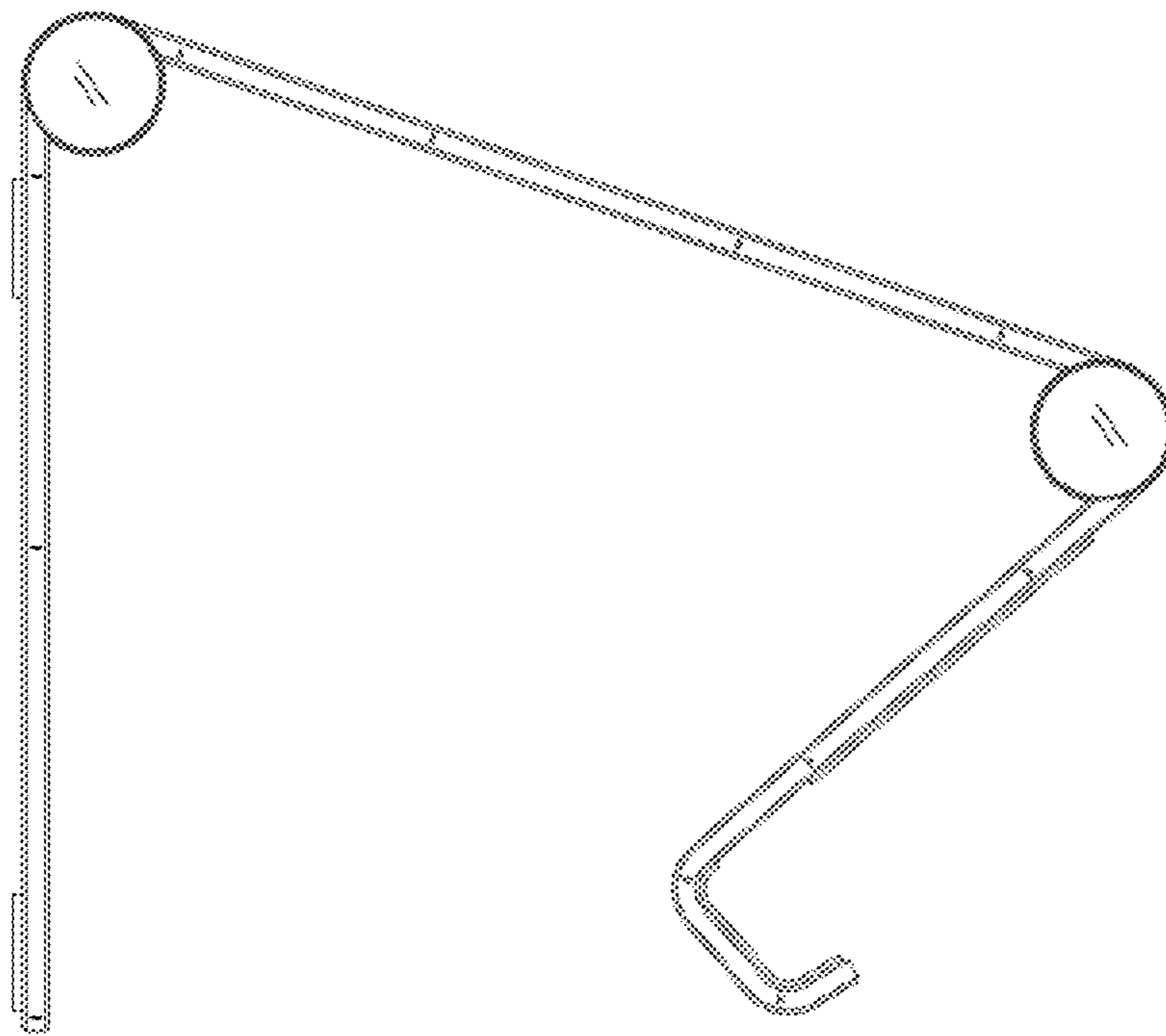


FIGURE 4

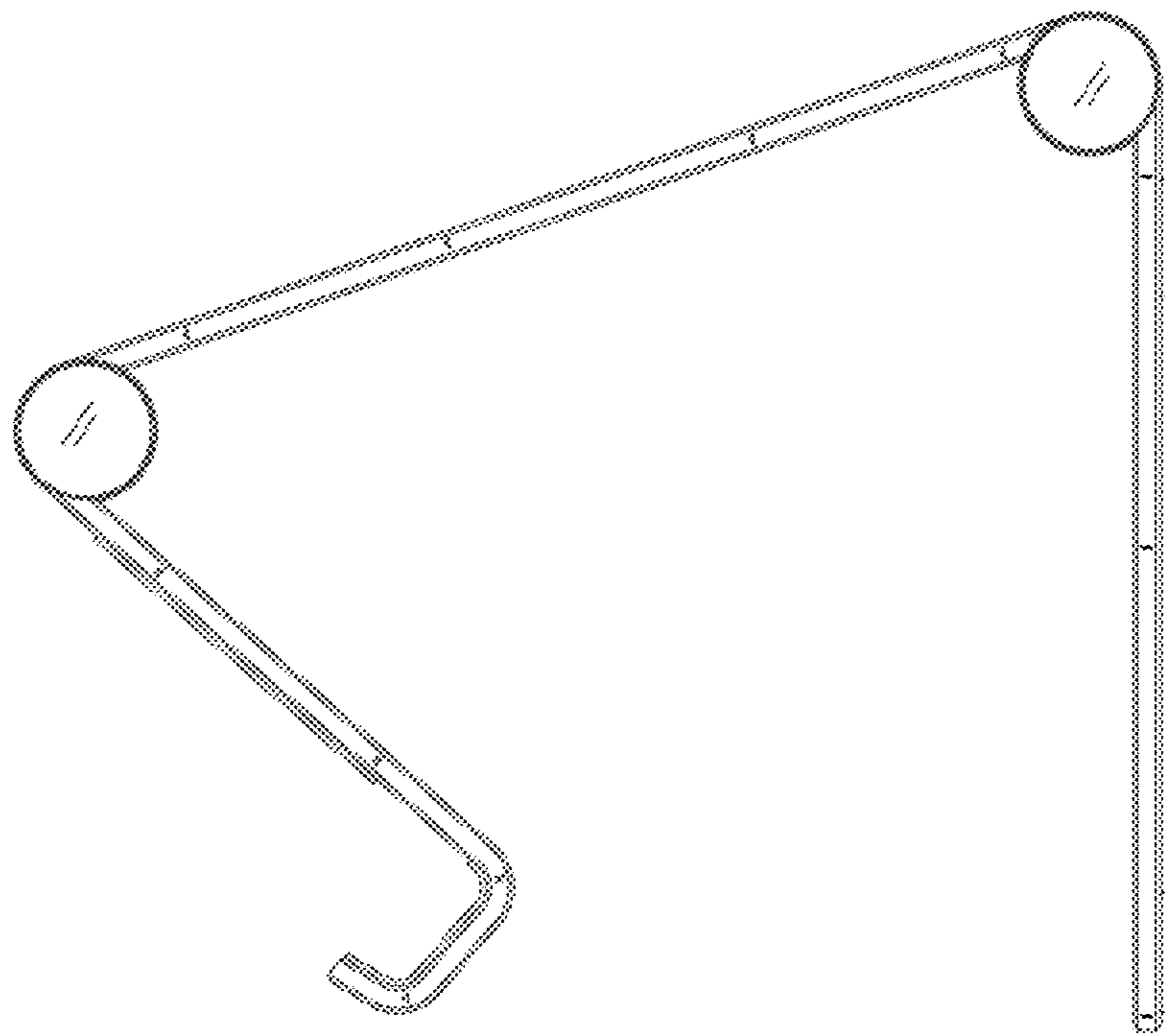


FIGURE 5

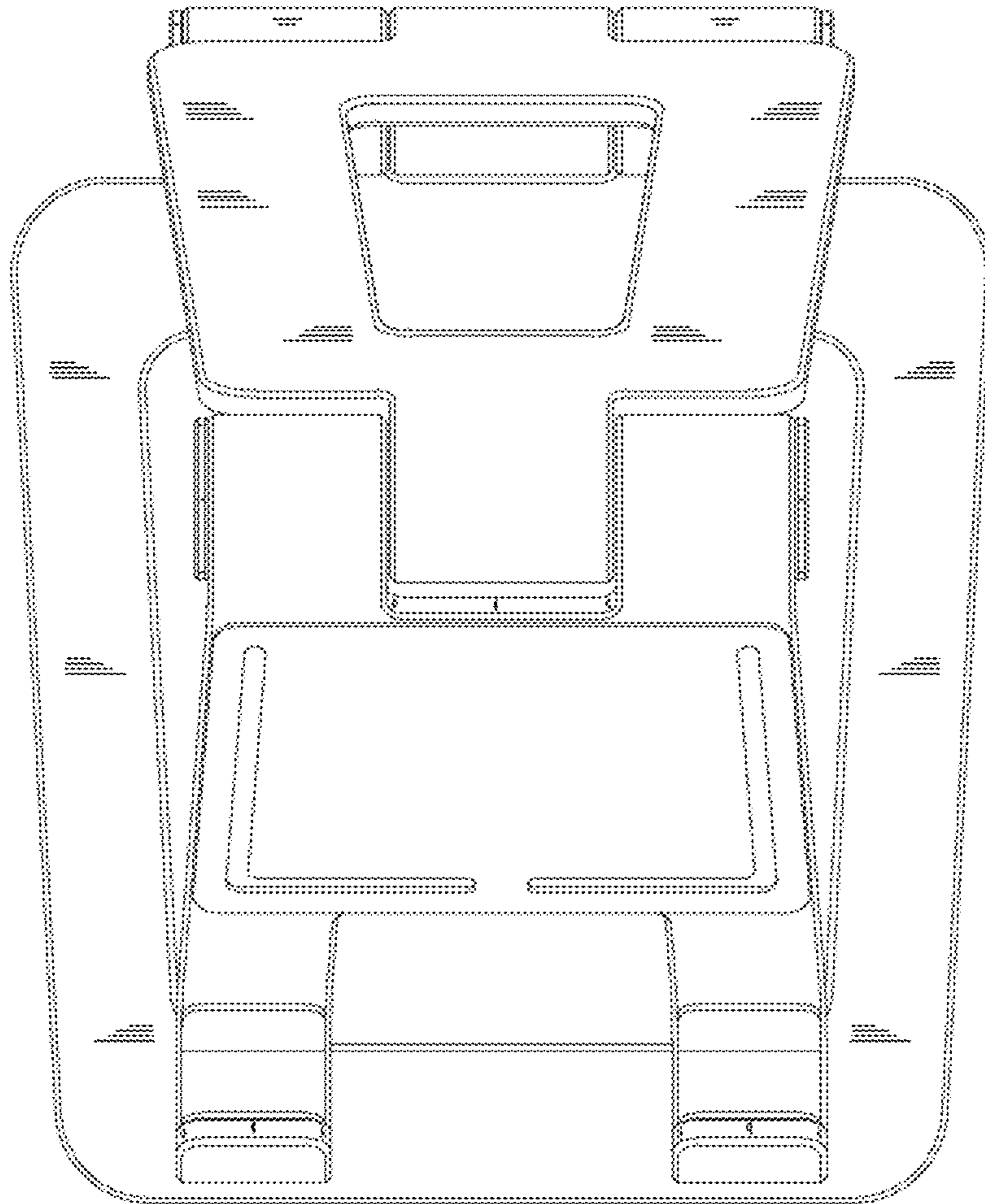


FIGURE 6

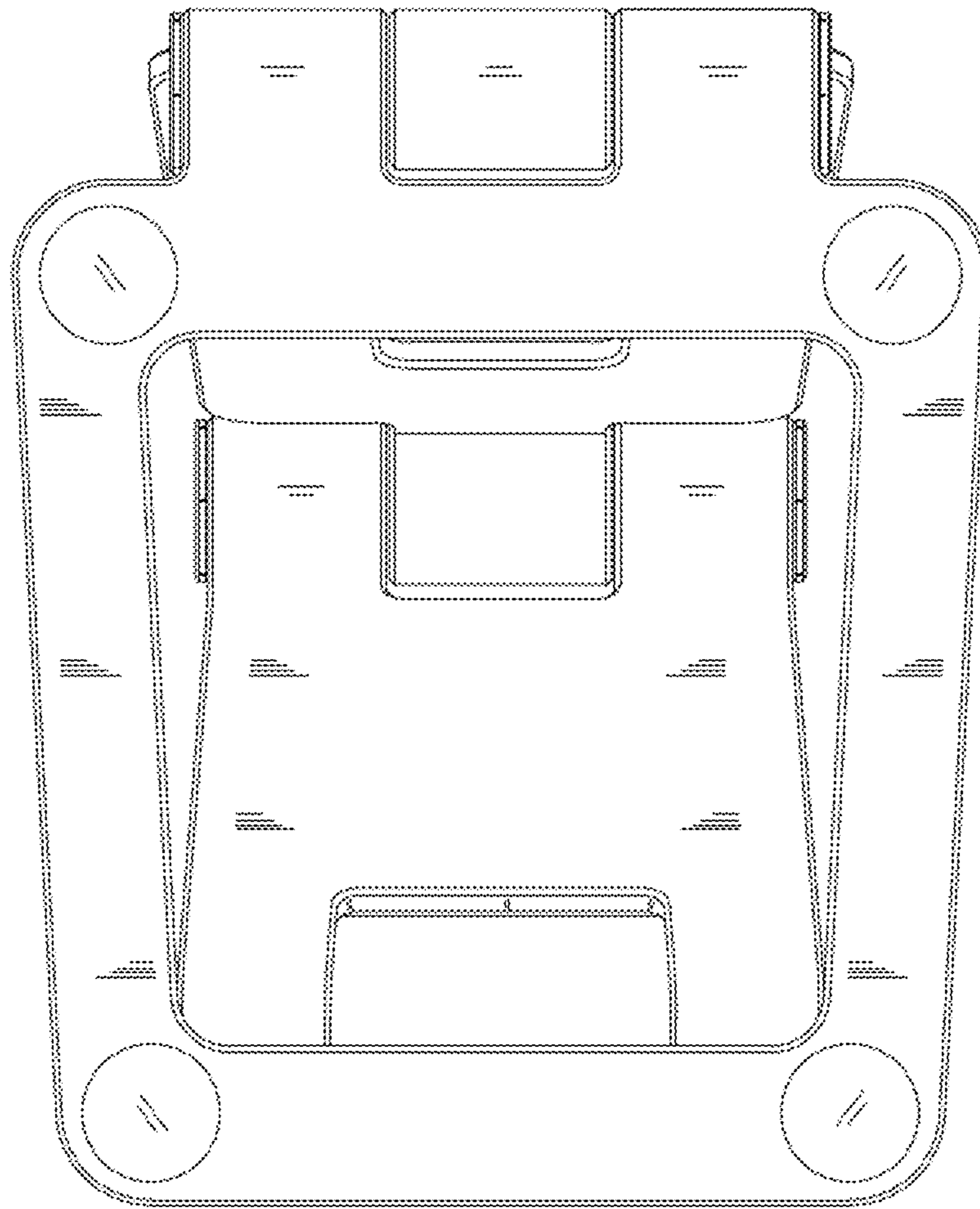


FIGURE 7