



US00D829724S

(12) **United States Design Patent**  
**Chun**

(10) **Patent No.:** **US D829,724 S**

(45) **Date of Patent:** **\*\* Oct. 2, 2018**

(54) **ADJUSTABLE TABLET COMPUTER MOUNT**

(71) Applicant: **James K Chun**, Fremont, CA (US)

(72) Inventor: **James K Chun**, Fremont, CA (US)

(\*\*) Term: **15 Years**

(21) Appl. No.: **29/609,135**

(22) Filed: **Jun. 28, 2017**

(51) **LOC (11) Cl.** ..... **08-07**

(52) **U.S. Cl.**  
USPC ..... **D14/447**

(58) **Field of Classification Search**

USPC ..... D14/447, 432, 434, 439, 440, 451, 452,  
D14/457, 239; D8/363, 373, 380;  
D6/406.3, 406.4, 406.5, 406.6; D12/415  
CPC ..... A47B 21/04; A47B 2097/006; A47B  
2097/005; A47B 2023/049; A45C  
2011/002; A45C 2011/003; F16M  
2200/00; F16M 13/00

See application file for complete search history.

(56) **References Cited**

**U.S. PATENT DOCUMENTS**

D575,350 S \* 8/2008 Ashida ..... D14/434  
D630,222 S \* 1/2011 Lin ..... D14/447  
D685,804 S \* 7/2013 Richter ..... D14/253  
D700,185 S \* 2/2014 Fujioka ..... D14/447  
D717,307 S \* 11/2014 Chun ..... D14/447  
D733,548 S \* 7/2015 Brown ..... D14/447  
D744,473 S \* 12/2015 Tsai ..... D14/251  
D761,264 S \* 7/2016 Terry ..... D14/440

D769,861 S \* 10/2016 Sun ..... D14/253  
D784,977 S \* 4/2017 Ormsbee ..... D14/253  
D785,638 S \* 5/2017 Hsu ..... D14/447  
D804,487 S \* 12/2017 Theis ..... D14/447  
D815,104 S \* 4/2018 Bertelle ..... D14/447

\* cited by examiner

*Primary Examiner* — Angela J Lee

(74) *Attorney, Agent, or Firm* — Dean A Craine; Marisa C Whitaker

(57) **CLAIM**

The ornamental design for an adjustable tablet computer mount, as shown and described.

**DESCRIPTION**

FIG. 1 is a top front perspective view of an adjustable tablet computer mount shown in a closed configuration.

FIG. 2 is a top plan view of the invention shown in FIG. 1.

FIG. 3 is a bottom plan view of the invention shown in FIG. 1.

FIG. 4 is the front elevational view of the invention shown in FIG. 1.

FIG. 5 is a rear elevational view of the invention shown in FIG. 1.

FIG. 6 is a left side elevational view of the invention.

FIG. 7 is a right side elevational view of the invention.

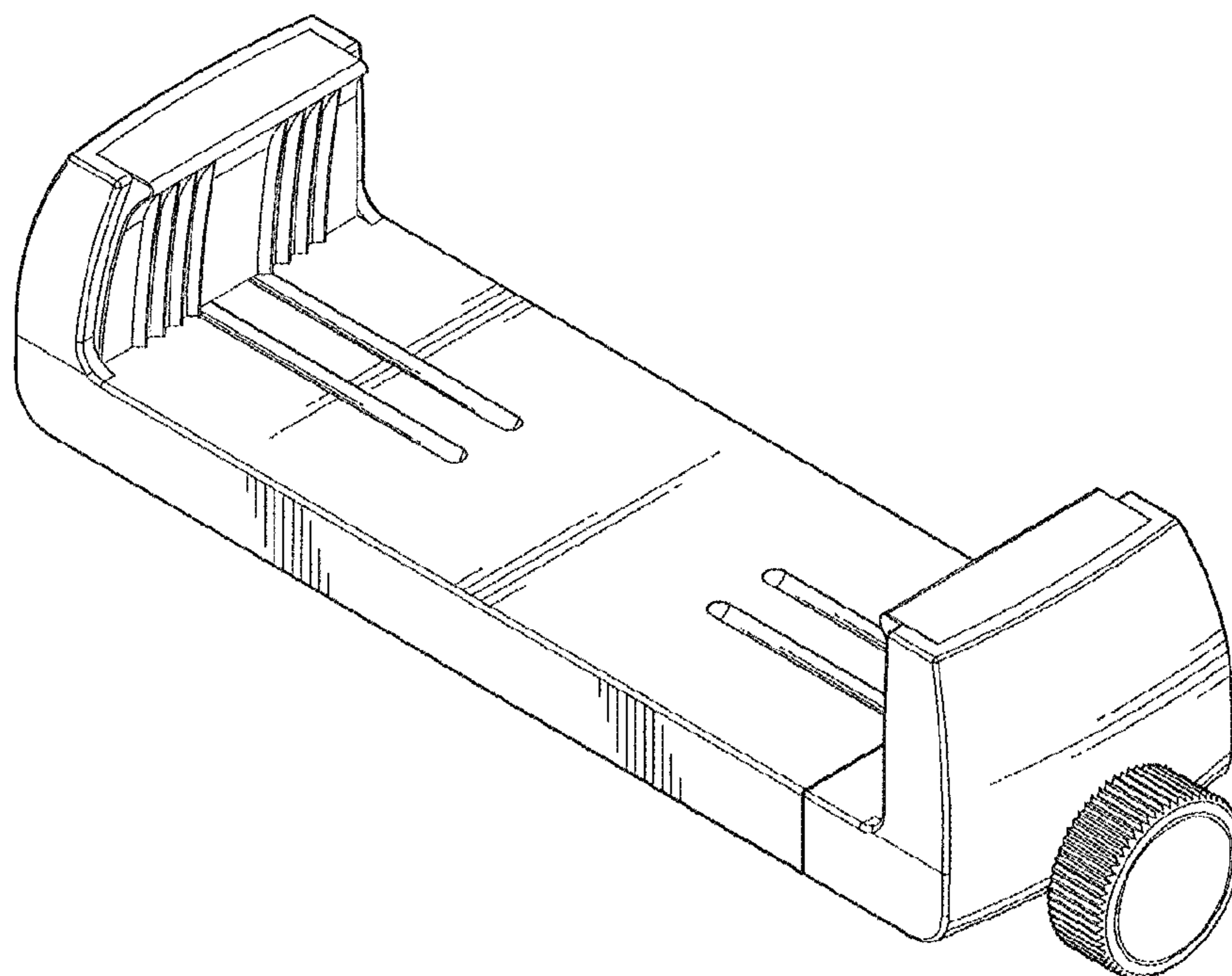
FIG. 8 is a top front perspective view of an adjustable tablet computer mount shown in an extended configuration.

FIG. 9 is a top plan view of the invention shown in FIG. 8.

FIG. 10 is the front elevational view of the invention shown in FIG. 8; and,

FIG. 11 is a bottom plan view of the invention shown in FIG. 8.

**1 Claim, 4 Drawing Sheets**



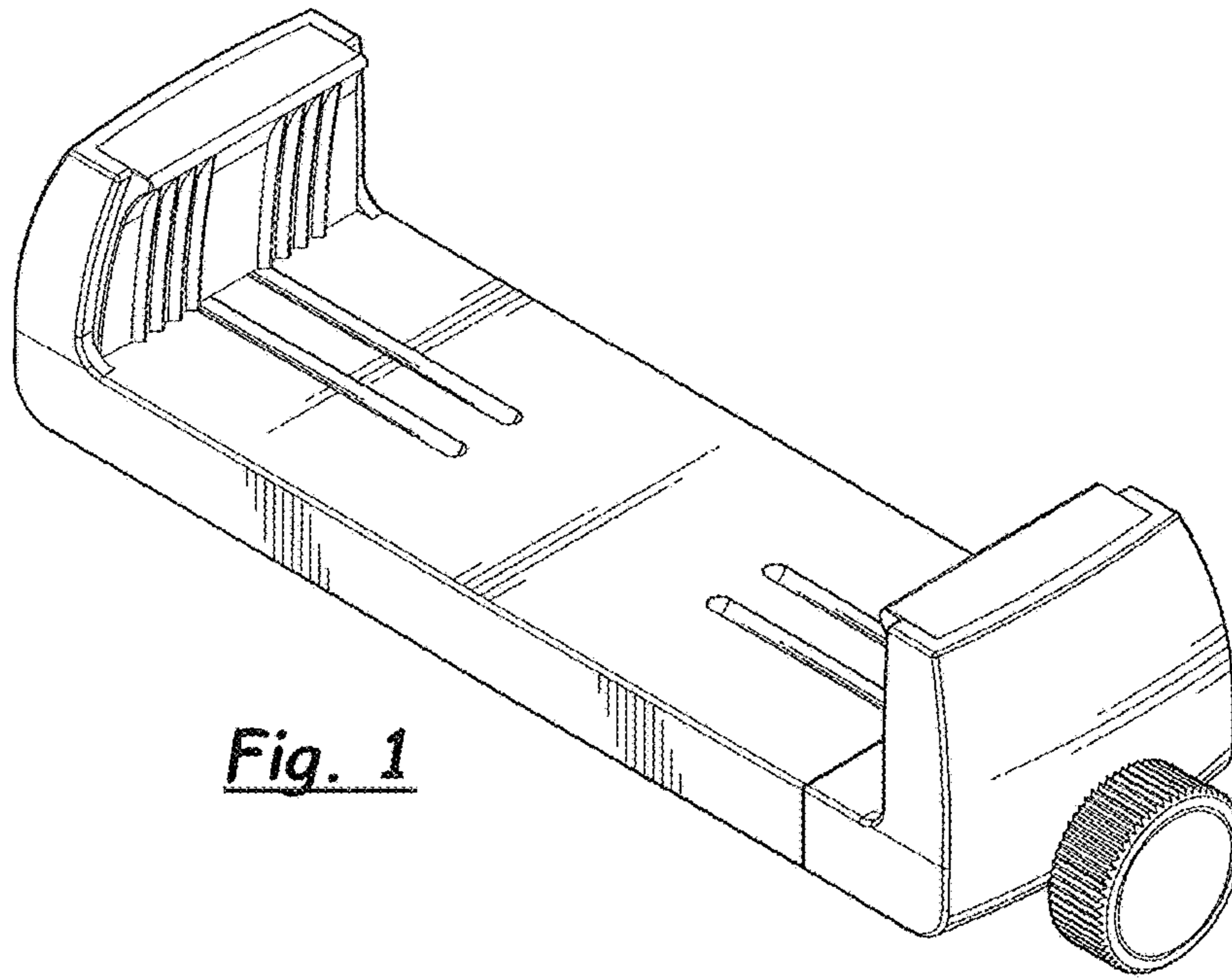


Fig. 1

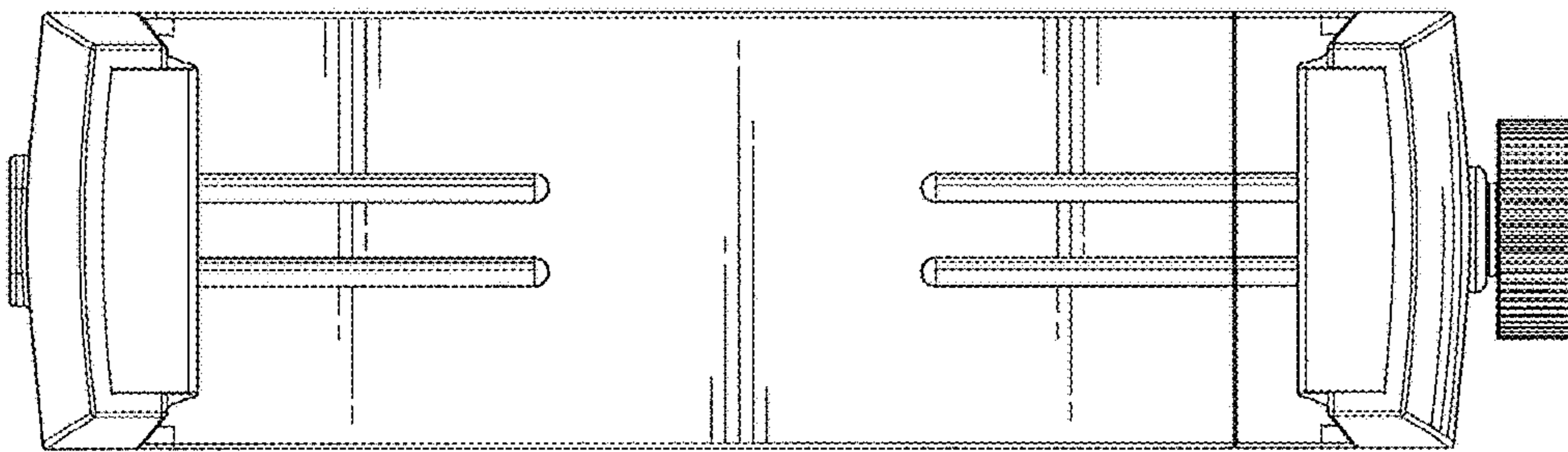


Fig. 2

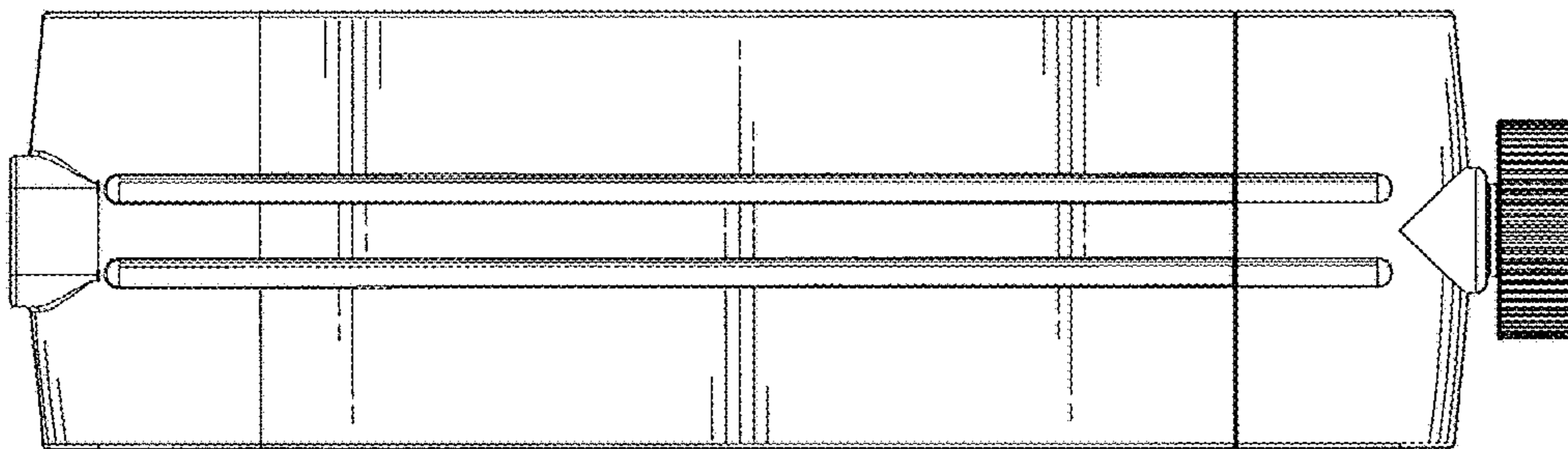


Fig. 3

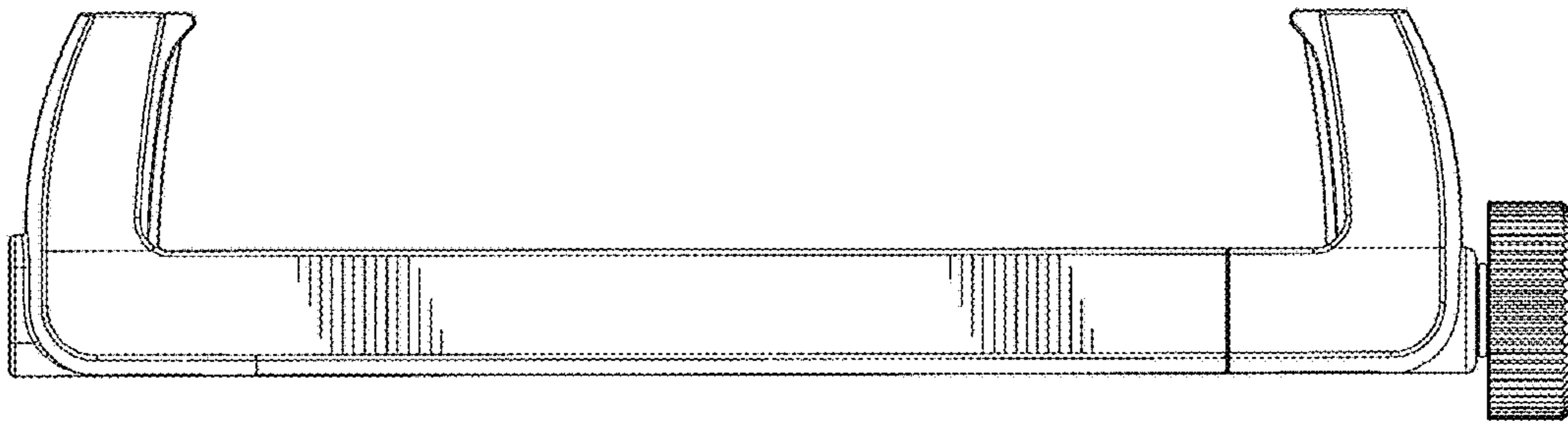


Fig. 4

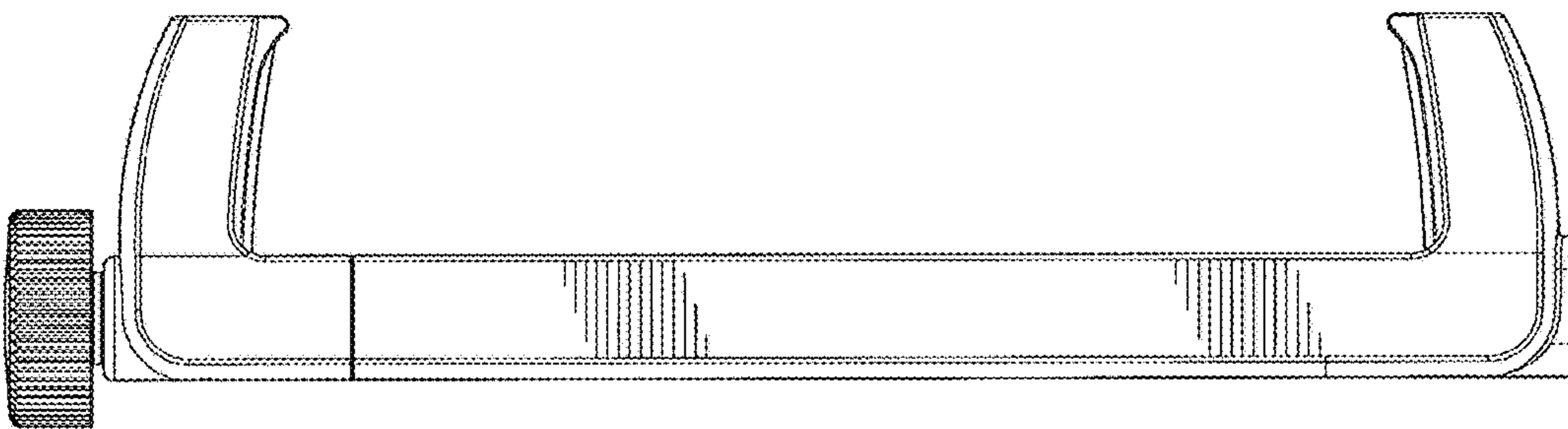


Fig. 5

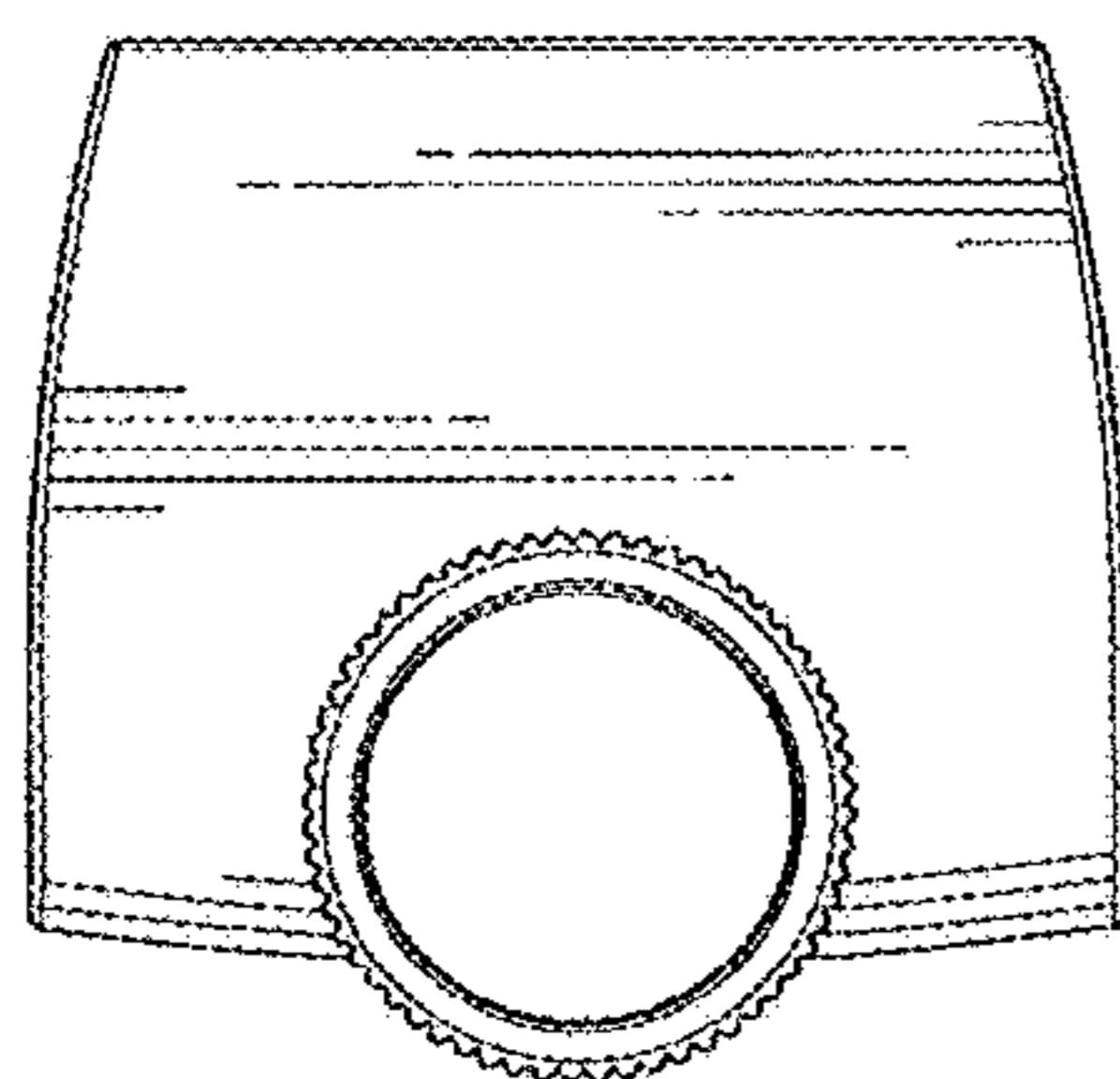


Fig. 6

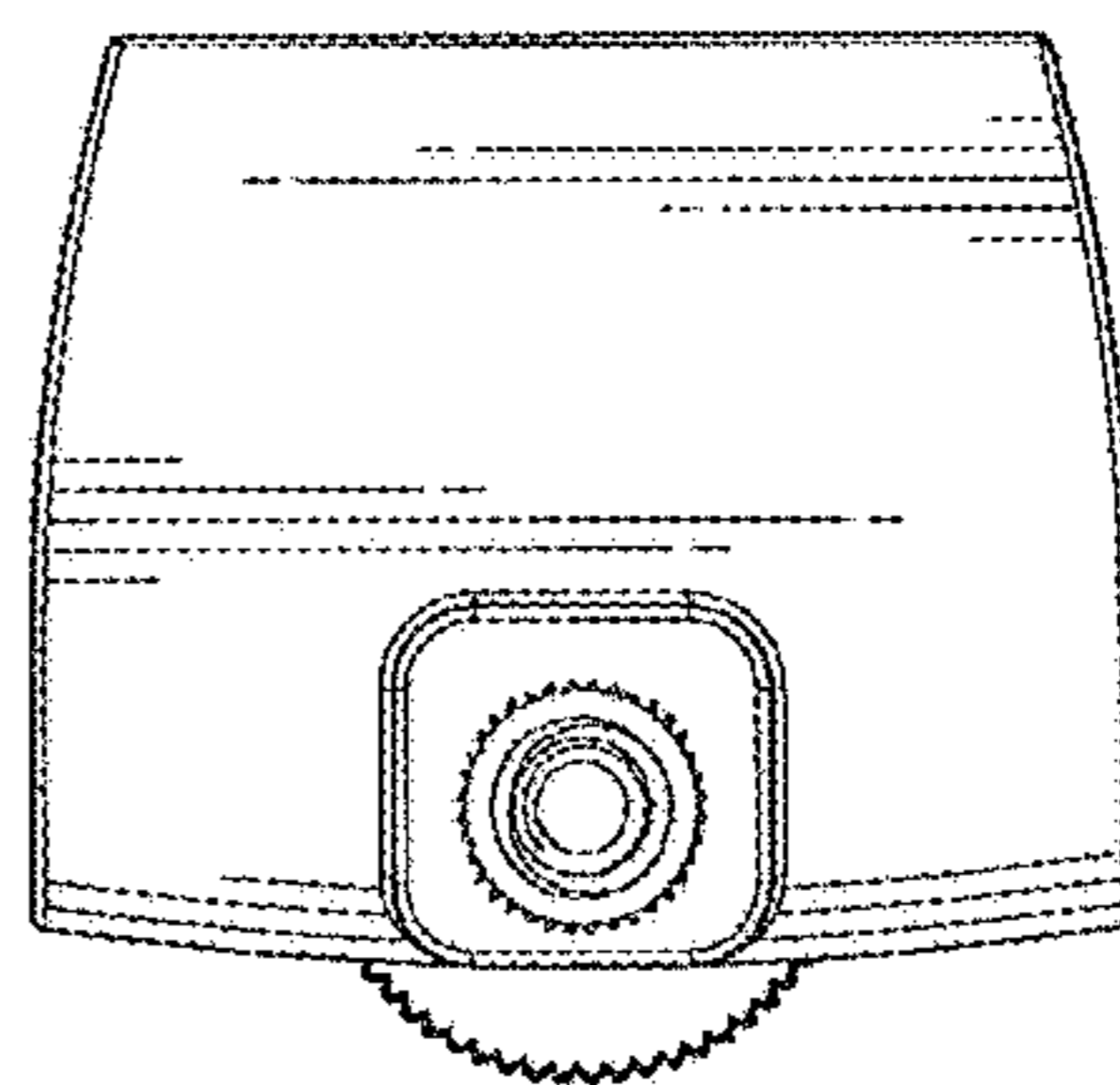


Fig. 7

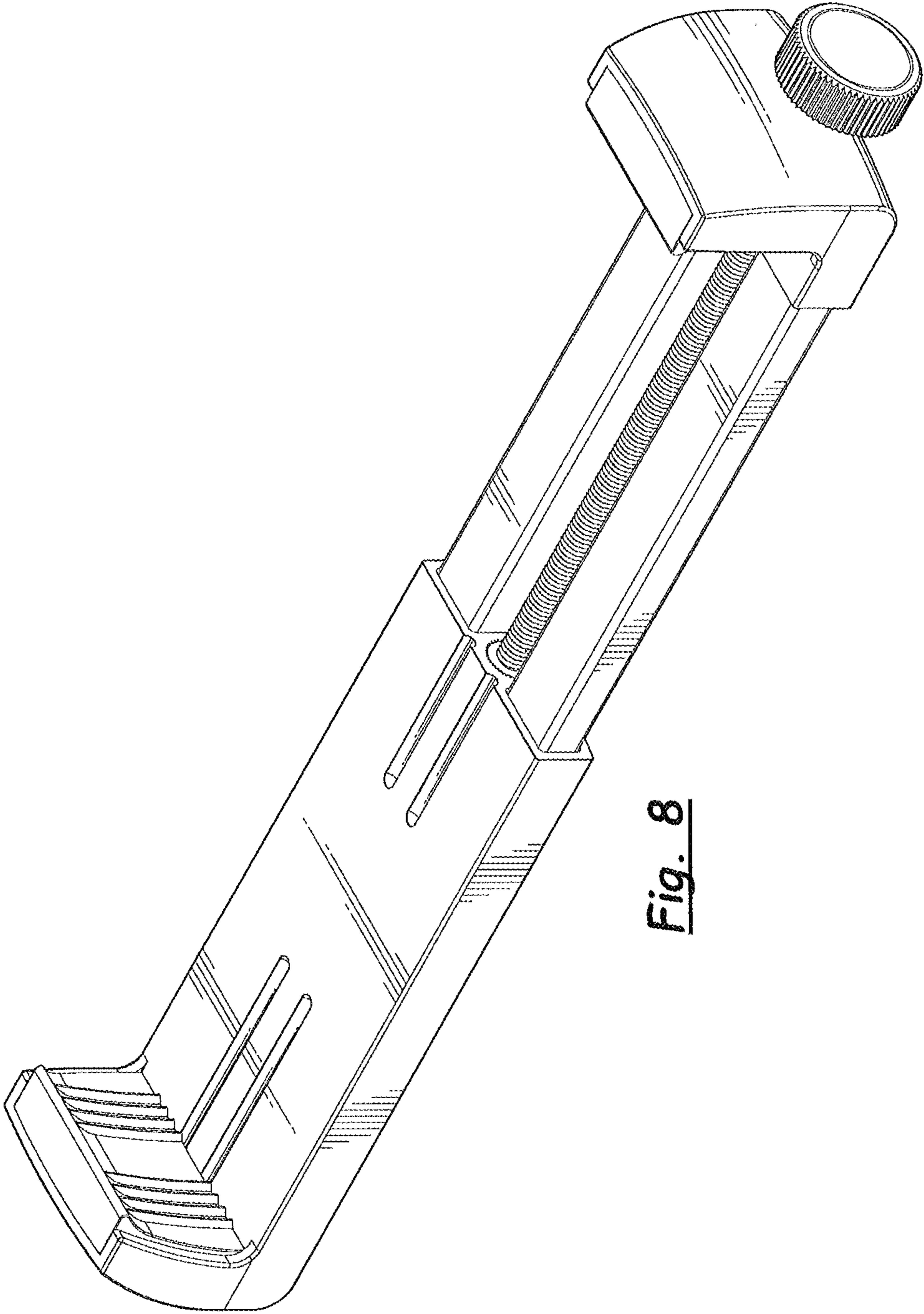


Fig. 8

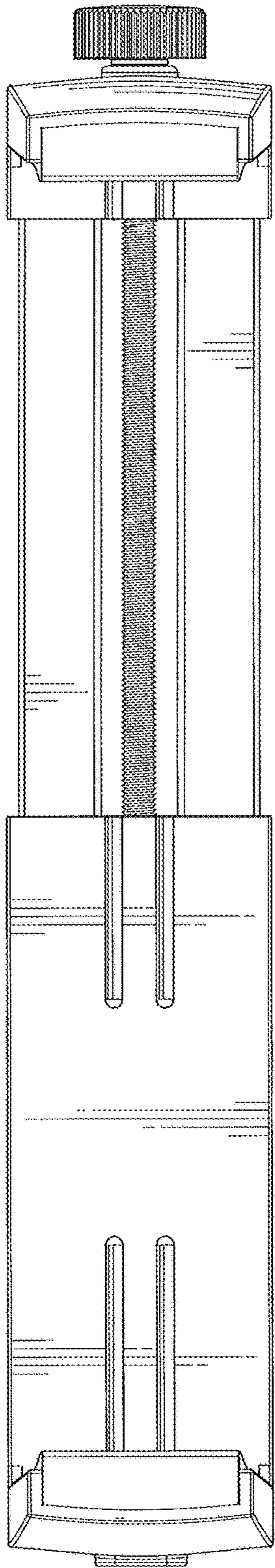


Fig. 9

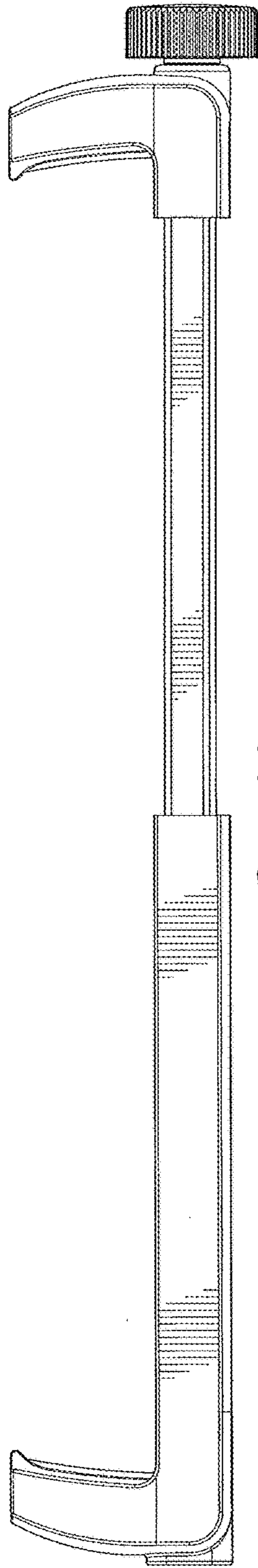


Fig. 10

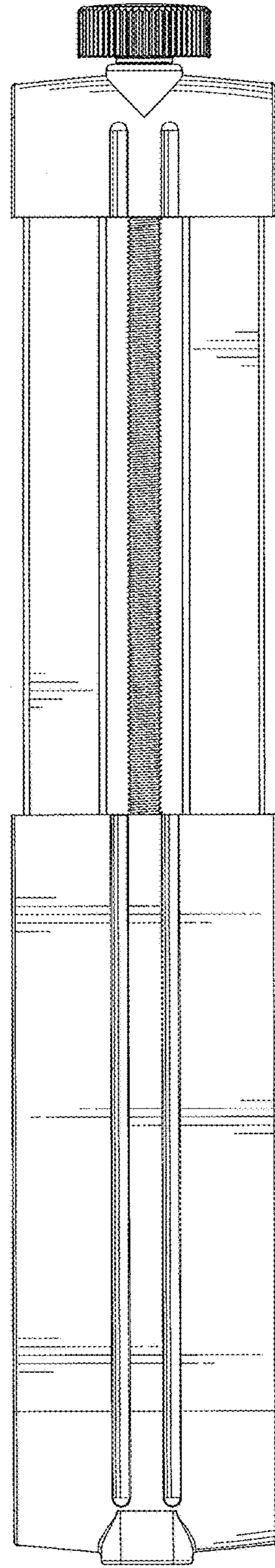


Fig. 11