



US00D829723S

(12) **United States Design Patent** (10) **Patent No.:** **US D829,723 S**
Kanter (45) **Date of Patent:** **** Oct. 2, 2018**

(54) **COMPACT COMPUTER MOUNTING CASE**

(71) Applicant: **HumanCentric Ventres LLC**, Skokie, IL (US)

(72) Inventor: **Simcha Kanter**, Chicago, IL (US)

(73) Assignee: **HUMANCENTRIC VENTURES LLC**, Skokie, IL (US)

(**) Term: **15 Years**

(21) Appl. No.: **29/595,063**

(22) Filed: **Feb. 24, 2017**

(51) **LOC (11) Cl.** **08-07**

(52) **U.S. Cl.**
USPC **D14/447**

(58) **Field of Classification Search**
USPC D14/447, 432, 434, 439, 440, 451, 452,
D14/457, 239; D8/363, 373, 380;
D6/406.3, 406.4, 406.5, 406.6; D12/415
CPC A47B 21/04; A47B 2097/006; A47B
2097/005; A47B 2023/049; A45C
2011/002; A45C 2011/003; F16M
2200/00; F16M 13/00
See application file for complete search history.

(56) **References Cited**

U.S. PATENT DOCUMENTS

D427,573 S * 7/2000 Wiggins D14/457
D455,755 S * 4/2002 Levine D14/447
D590,404 S * 4/2009 Kim D14/447

D620,942 S * 8/2010 Huang D14/447
D626,129 S * 10/2010 Lutz D14/447
D678,298 S * 3/2013 Burrige D14/447
D681,624 S * 5/2013 Chang D14/250
D682,282 S * 5/2013 Steinfeld D14/447
D696,671 S * 12/2013 Carnevali D14/253
D778,105 S * 2/2017 Coffey, Jr. D14/447
D786,260 S * 5/2017 Heckler D14/447
D804,487 S * 12/2017 Theis D14/447

* cited by examiner

Primary Examiner — Angela J Lee

(74) *Attorney, Agent, or Firm* — DLA Piper LLP US

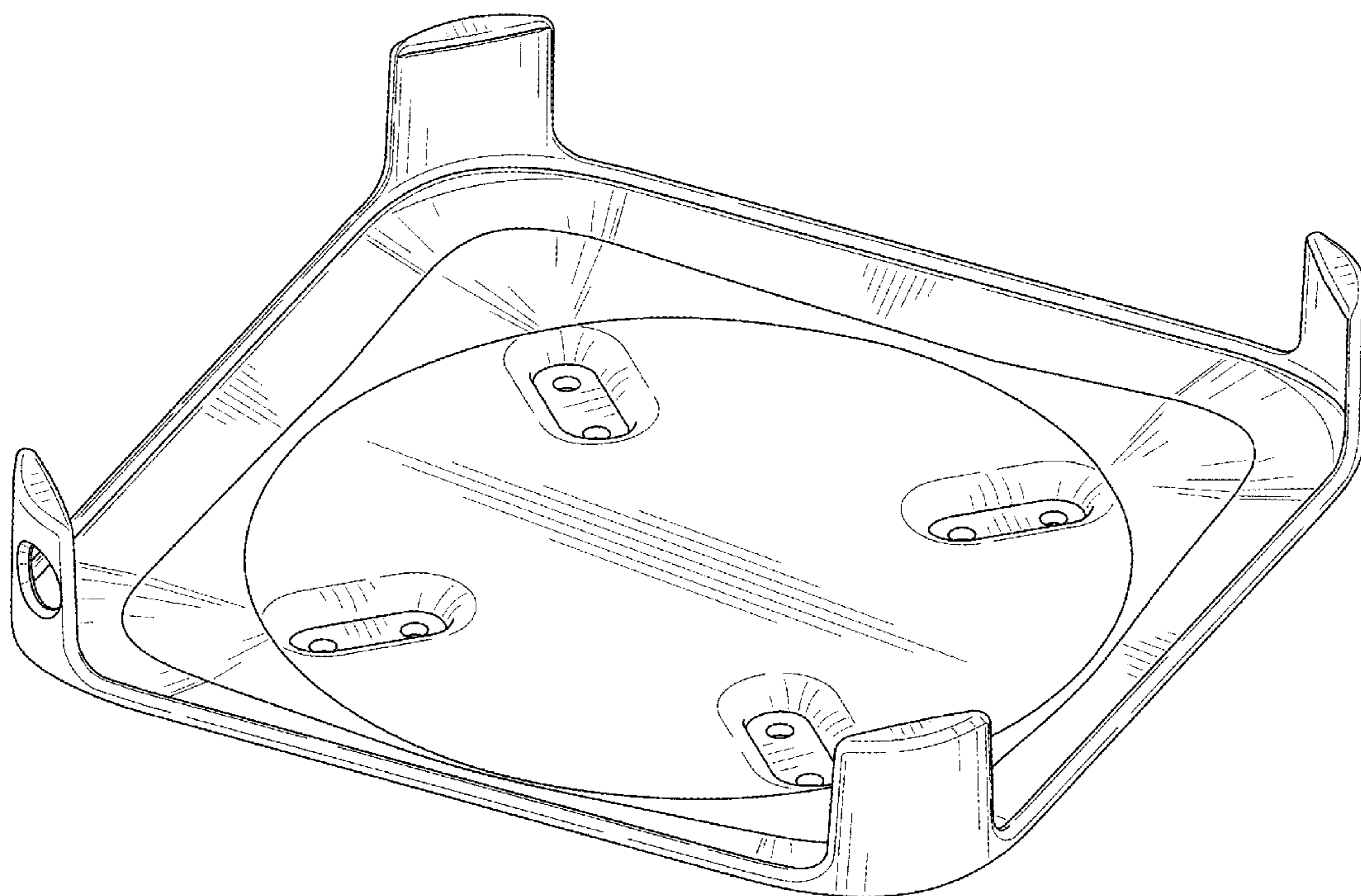
(57) **CLAIM**

The ornamental design for a compact computer mounting case, as shown and described.

DESCRIPTION

FIG. 1 is a perspective view of the compact computer mounting case.
FIG. 2 is a front view of the compact computer mounting case.
FIG. 3 is a back view of the compact computer mounting case.
FIG. 4 is a left side view of the compact computer mounting case.
FIG. 5 is a right side view of the compact computer mounting case.
FIG. 6 is a top view of the compact computer mounting case; and,
FIG. 7 is a bottom view of the compact computer mounting case.

1 Claim, 5 Drawing Sheets



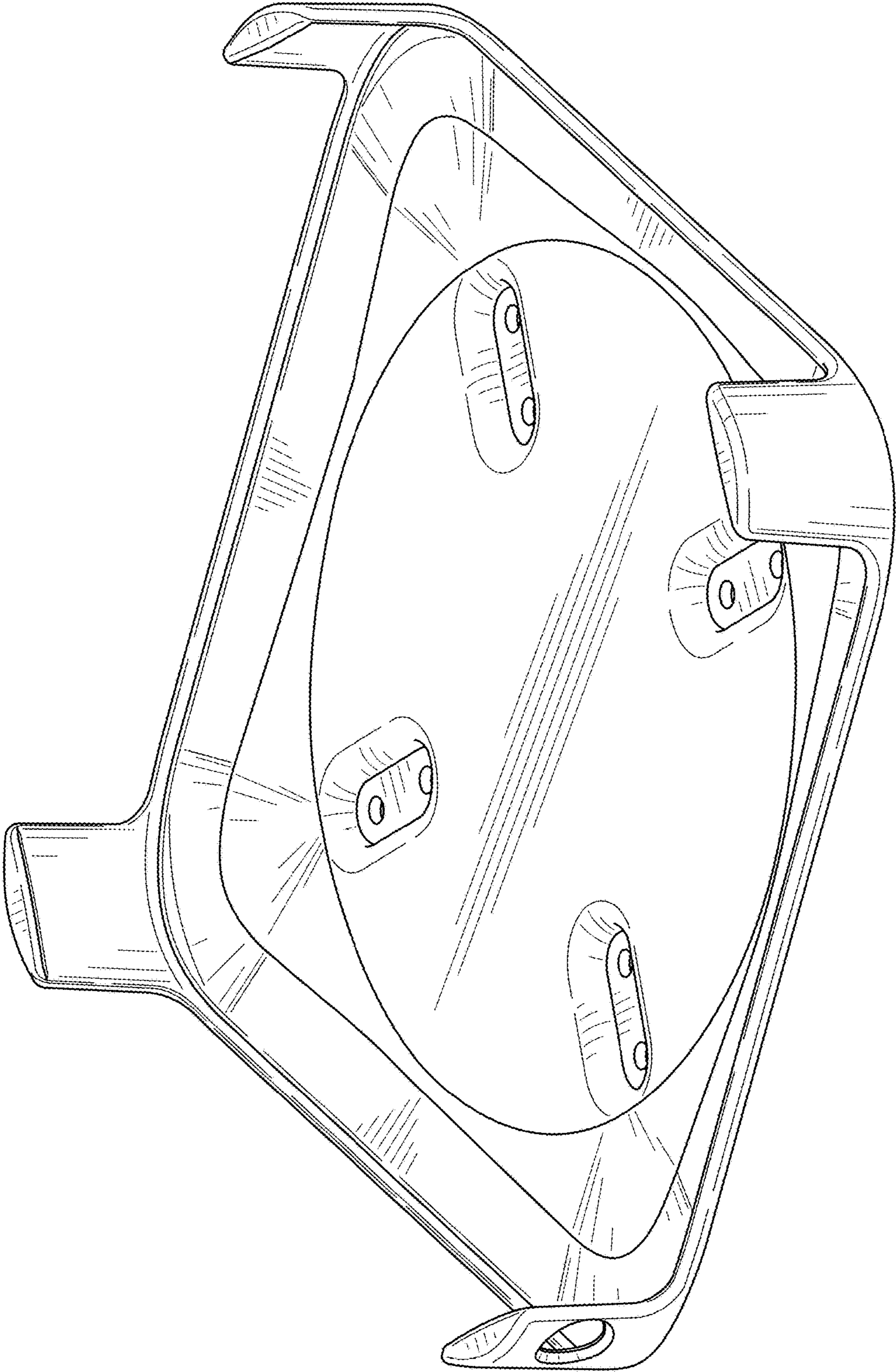


FIG. 1

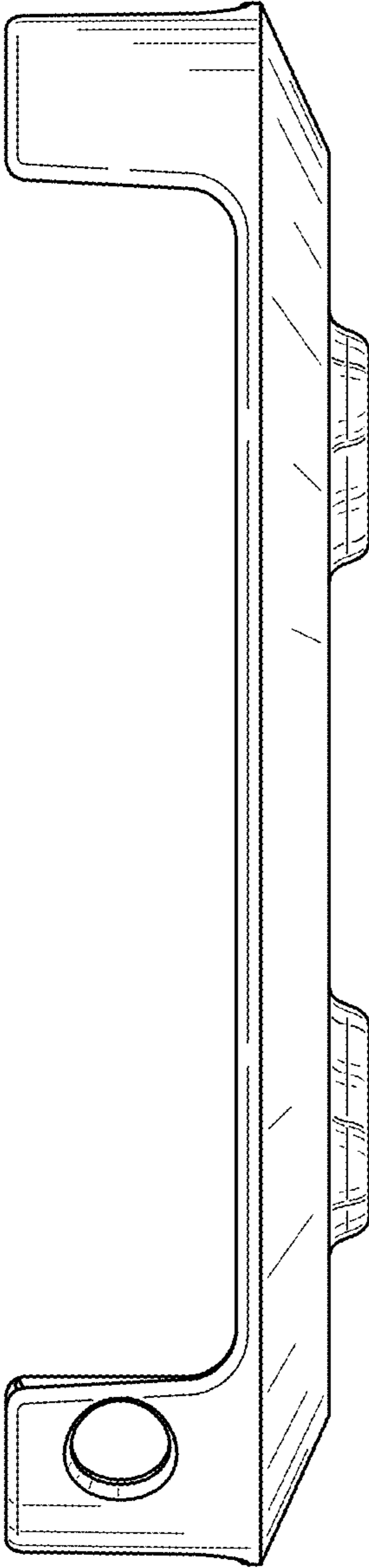


FIG. 2

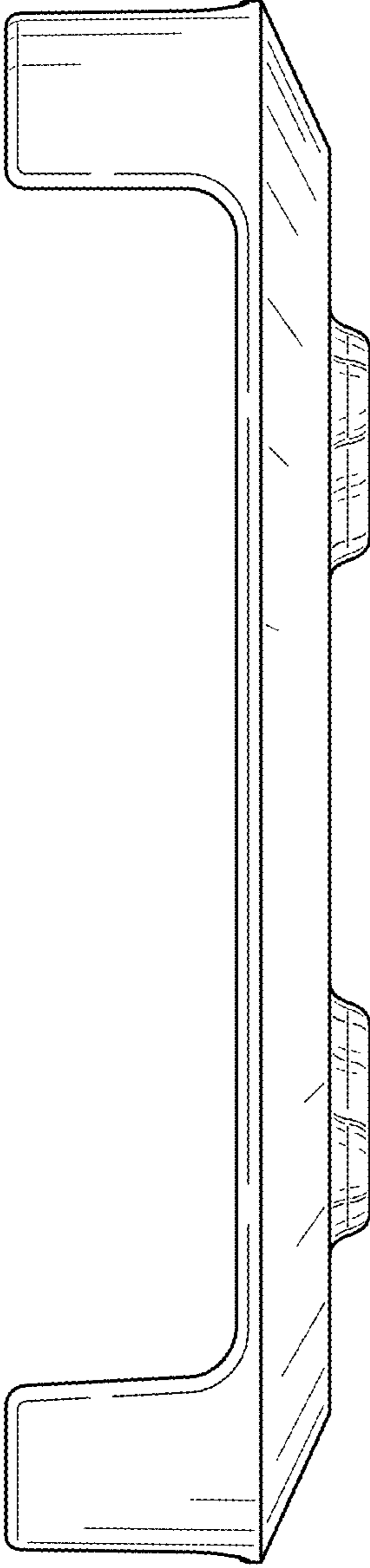


FIG. 3

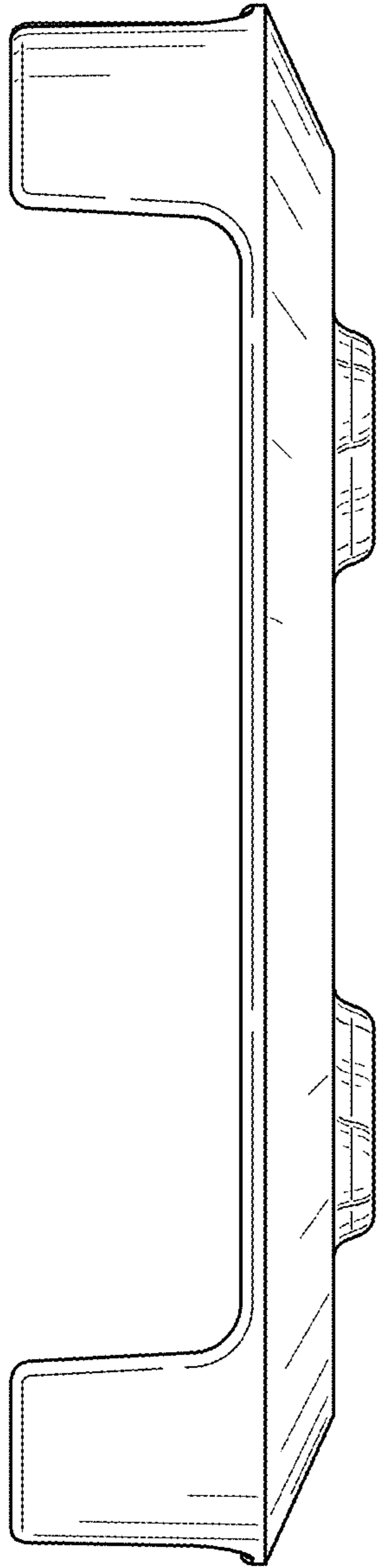


FIG. 4

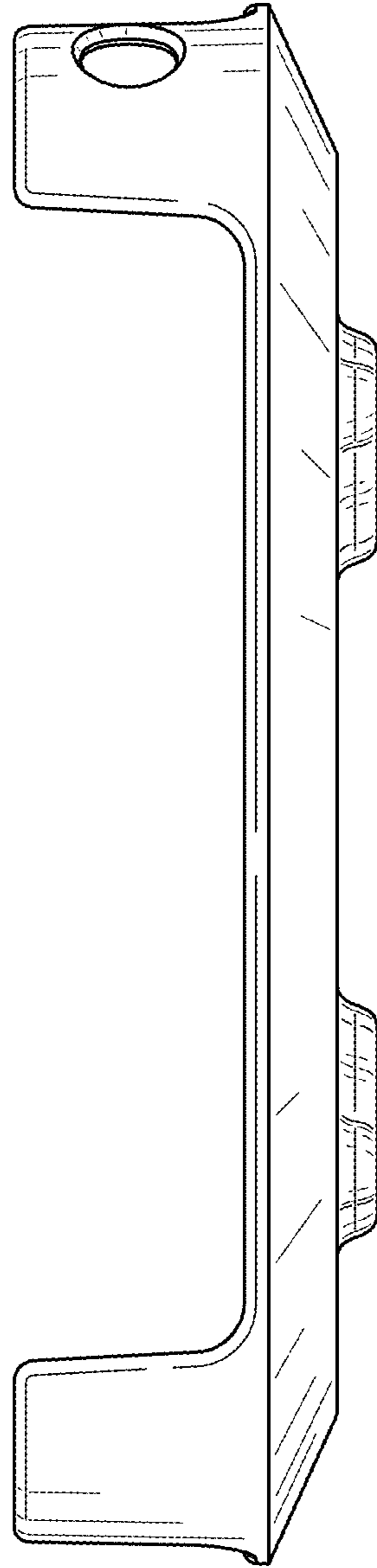


FIG. 5

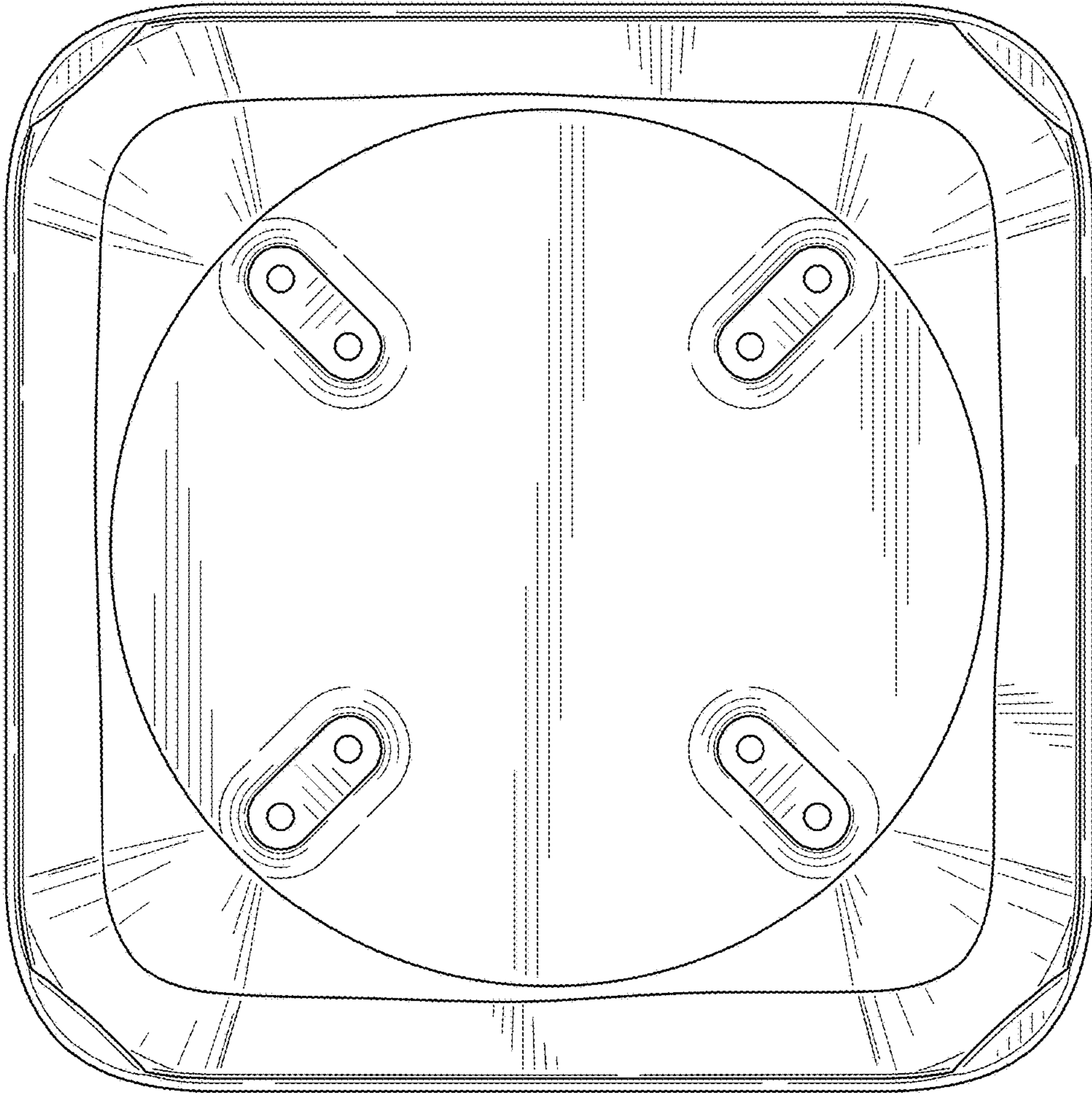


FIG. 6

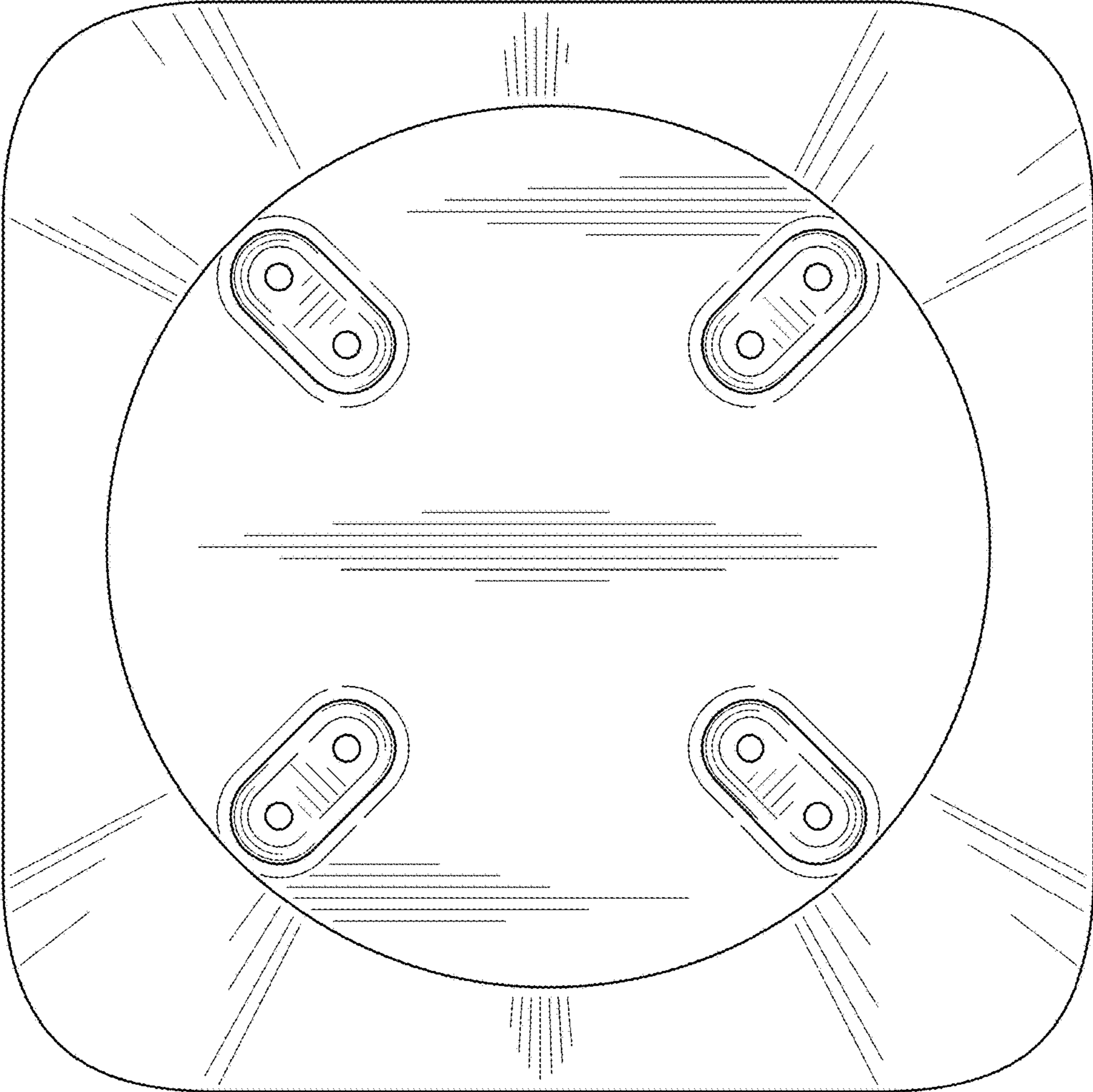


FIG. 7