



US00D829721S

(12) **United States Design Patent**
Zhang

(10) **Patent No.:** **US D829,721 S**

(45) **Date of Patent:** **** Oct. 2, 2018**

- (54) **TABLET COMPUTER CASE**
- (71) Applicant: **Yanmei Zhang**, Qingyuan (CN)
- (72) Inventor: **Yanmei Zhang**, Qingyuan (CN)
- (**) Term: **15 Years**
- (21) Appl. No.: **29/656,156**
- (22) Filed: **Jul. 11, 2018**
- (51) **LOC (11) Cl.** **14-02**
- (52) **U.S. Cl.**
USPC **D14/440**
- (58) **Field of Classification Search**
USPC D14/440; 206/45.23, 320, 45.2;
361/679.55; 294/25; 224/218
CPC ... G06F 1/1628; G06F 1/1626; A47B 23/044;
H04B 1/3888; H05K 5/0217
See application file for complete search history.

(56) **References Cited**

U.S. PATENT DOCUMENTS

D356,120 S *	3/1995	Allen	D21/335
D364,191 S *	11/1995	Allen	D21/335
D467,429 S *	12/2002	Bone	D3/294
D658,187 S *	4/2012	Diebel	G06F 1/1628
				D14/440
D658,188 S *	4/2012	Diebel	D14/440
D658,877 S *	5/2012	Janus	D3/301
D663,304 S *	7/2012	Akana	D14/440
D672,781 S *	12/2012	Lu	D14/440
D678,260 S *	3/2013	Bau	D14/132
D679,279 S *	4/2013	Yang	D14/440
D679,715 S *	4/2013	Akana	D14/440
D681,641 S *	5/2013	Van Den Nieuwenhuizen	D14/440
D687,438 S *	8/2013	Lu	D14/440
D691,142 S *	10/2013	Diebel	D14/440
D696,253 S *	12/2013	Akana	D14/345
D696,669 S *	12/2013	Akana	D14/440

8,766,921 B2 *	7/2014	Ballagas	G06F 1/1626
				345/168
D713,848 S *	9/2014	Akana	D14/440
D714,791 S *	10/2014	Liu	D14/440
D726,731 S *	4/2015	Kim	D14/440
D727,918 S	4/2015	Soare		
9,227,763 B2 *	1/2016	Gengler	B65D 25/00
9,451,822 B2 *	9/2016	Gu	A47B 23/044
D770,457 S *	11/2016	Massucco	D14/440
D771,053 S *	11/2016	Spollen	D14/440
D772,880 S *	11/2016	Corcoran	D14/440
D779,494 S *	2/2017	Hallier	D14/252
D784,348 S *	4/2017	Zhang	D14/440
D817,334 S	5/2018	Fenton et al.		
2009/0107858 A1 *	4/2009	Huang	A45C 9/00
				206/214
2012/0140396 A1 *	6/2012	Zeliff	G06F 1/1628
				361/679.09

(Continued)

Primary Examiner — Cynthia R Underwood

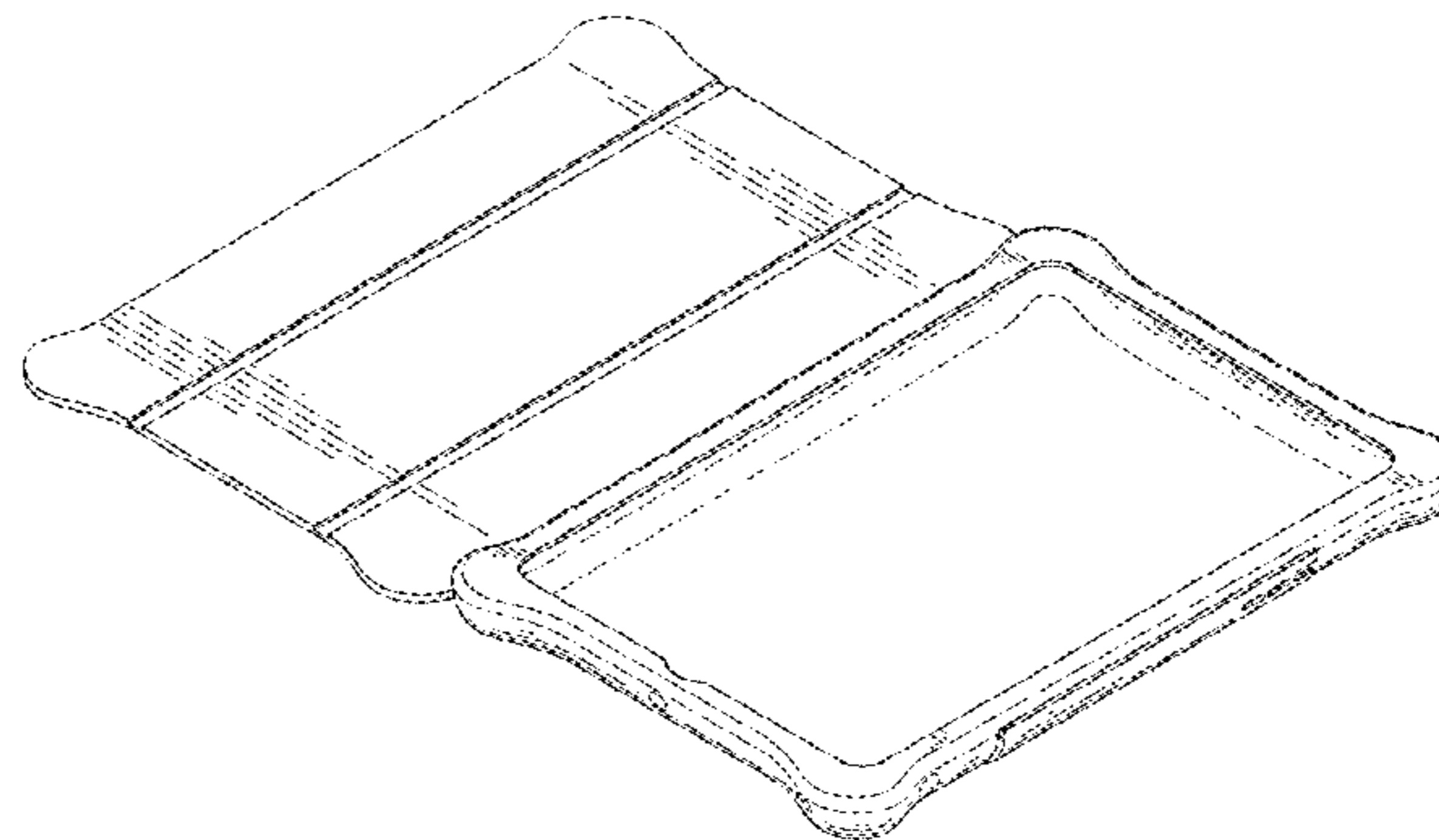
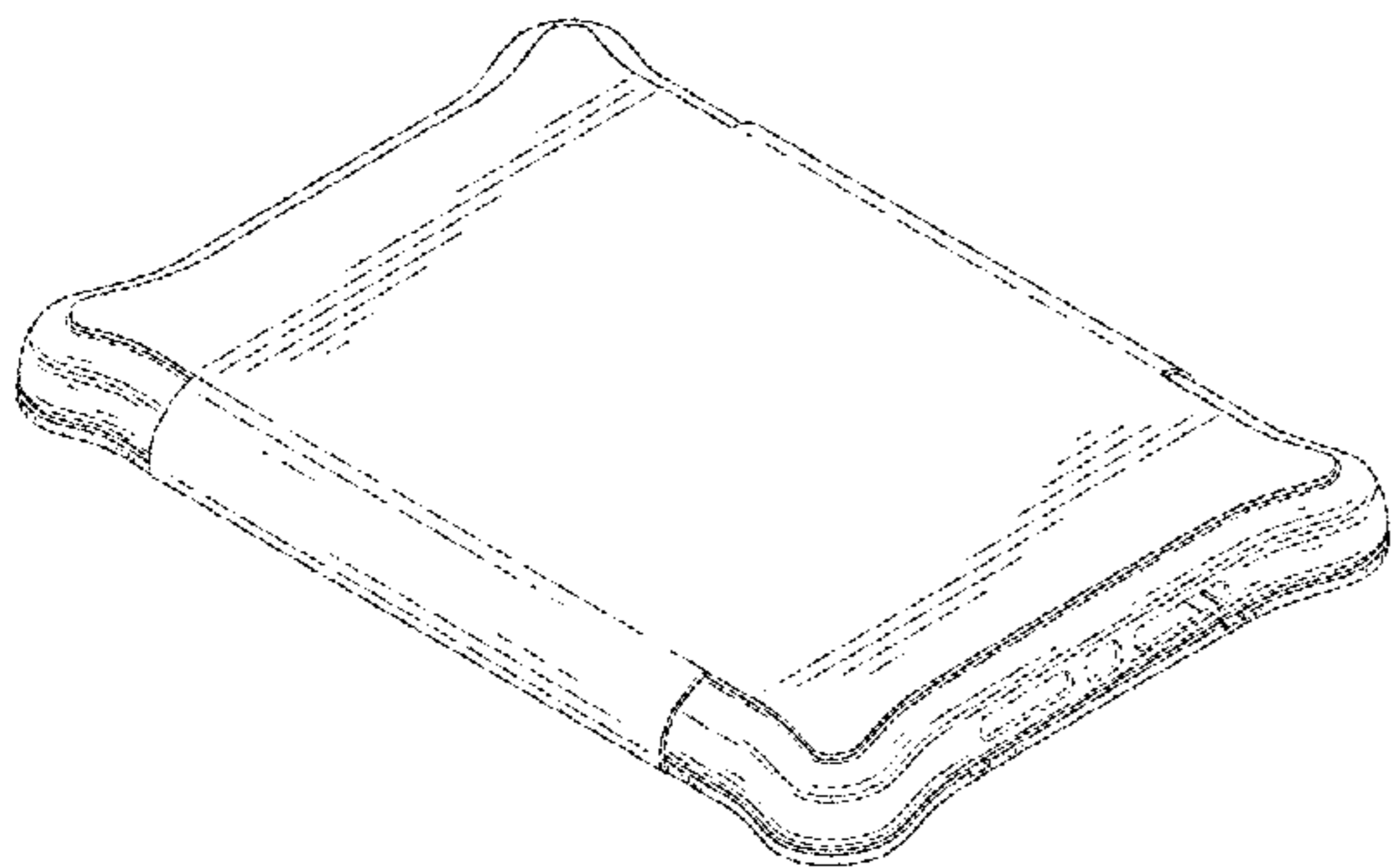
(57) **CLAIM**

The ornamental design for a tablet computer case, as shown and described.

DESCRIPTION

FIG. 1 is a perspective view of the tablet computer case showing my new design;
 FIG. 2 is another perspective view thereof;
 FIG. 3 is a front elevational view thereof;
 FIG. 4 is a rear elevational view thereof;
 FIG. 5 is a left side elevational view thereof;
 FIG. 6 is a right side elevational view thereof;
 FIG. 7 is a top plan view thereof;
 FIG. 8 is a bottom plan view thereof; and,
 FIG. 9 is a perspective view of the tablet computer case in an open state.
 The broken lines are for the purposes of illustrating portions of the tablet computer case and form no part of the claimed design.

1 Claim, 9 Drawing Sheets



(56)

References Cited

U.S. PATENT DOCUMENTS

2013/0020216 A1* 1/2013 Chiou G06F 1/1626
206/320
2013/0048520 A1* 2/2013 Garrett A45F 5/00
206/320
2013/0214661 A1* 8/2013 McBroom G06F 1/1667
312/325
2013/0233762 A1* 9/2013 Balaji B65D 25/00
206/736

* cited by examiner

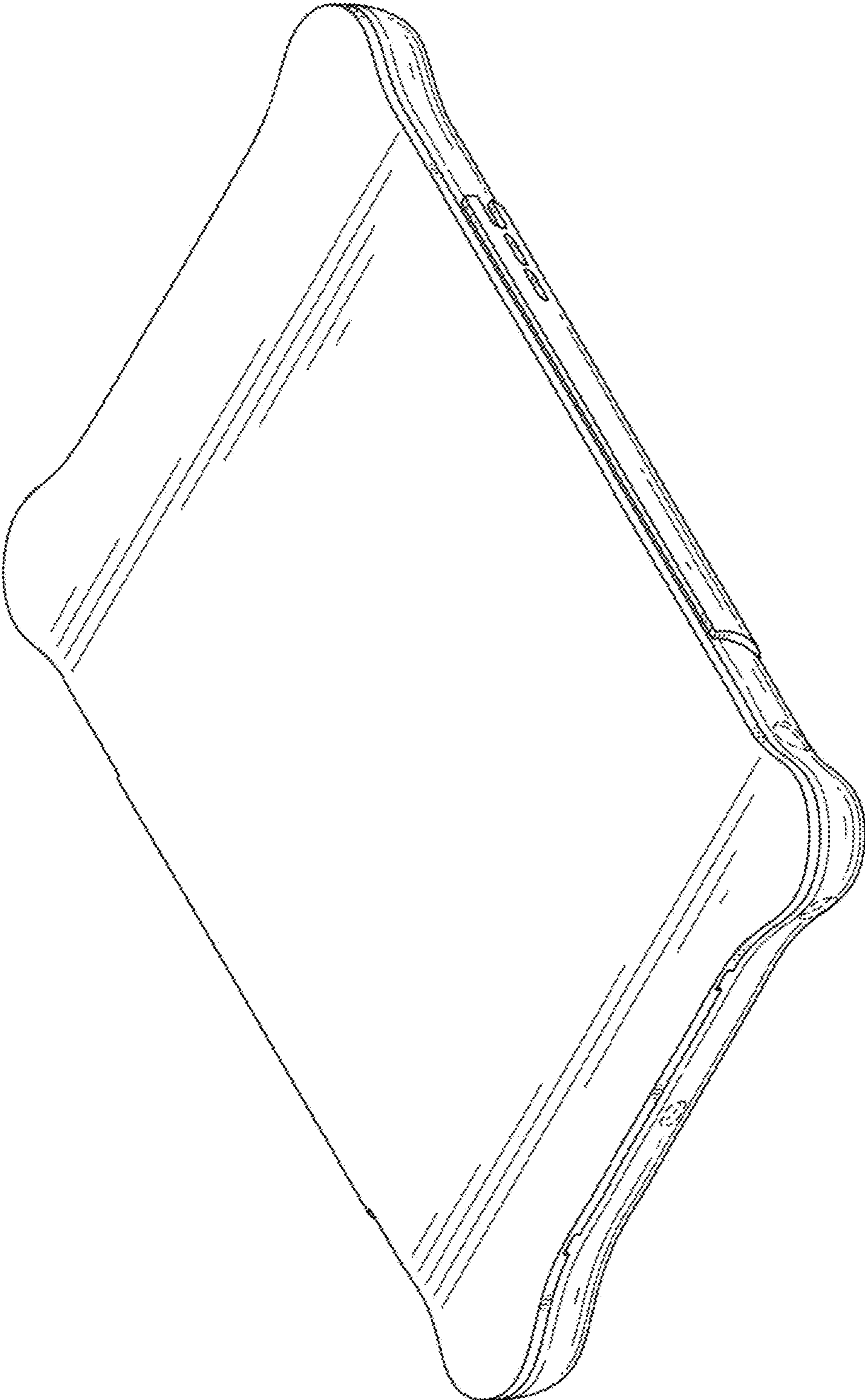


FIG. 1

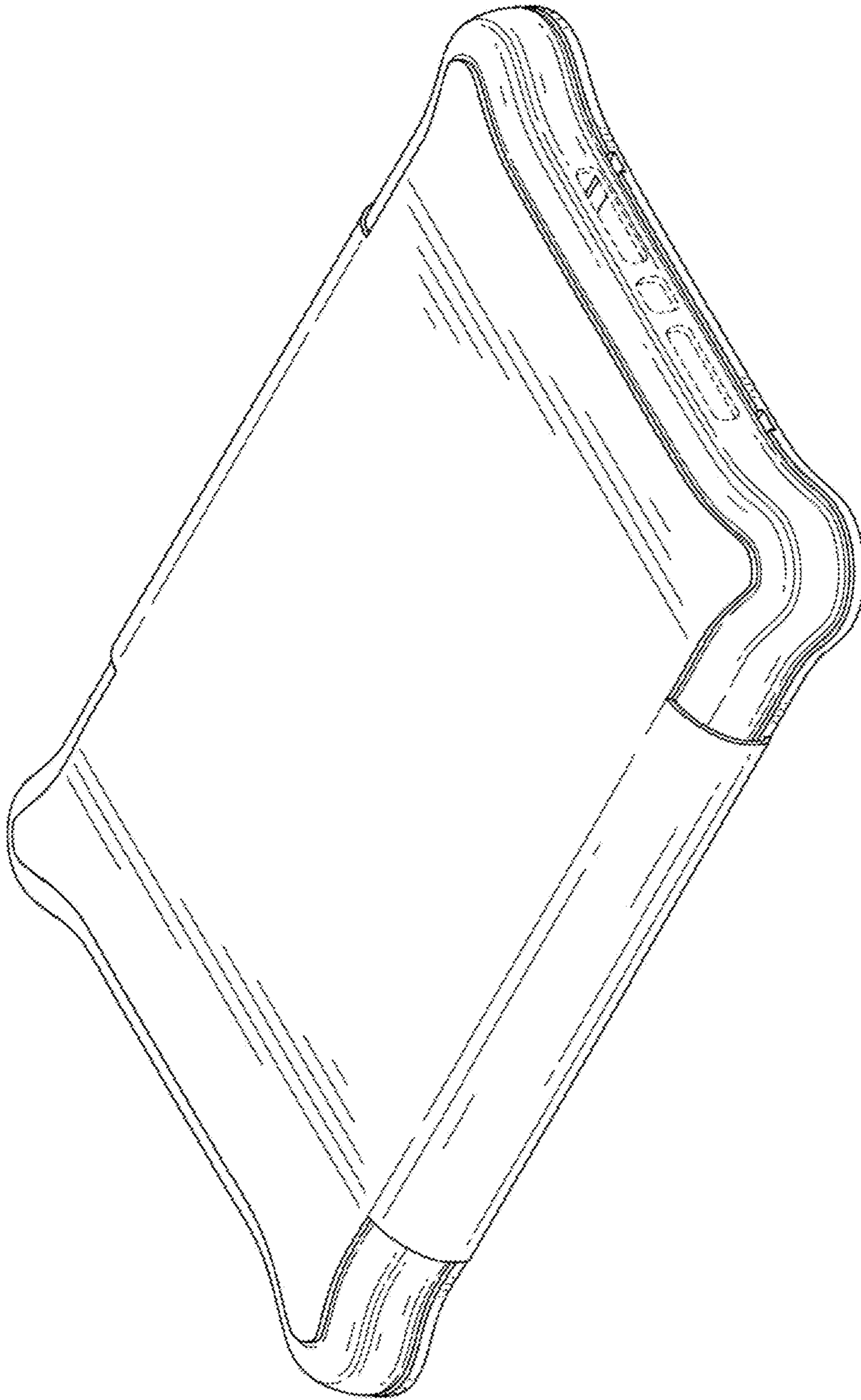


FIG. 2

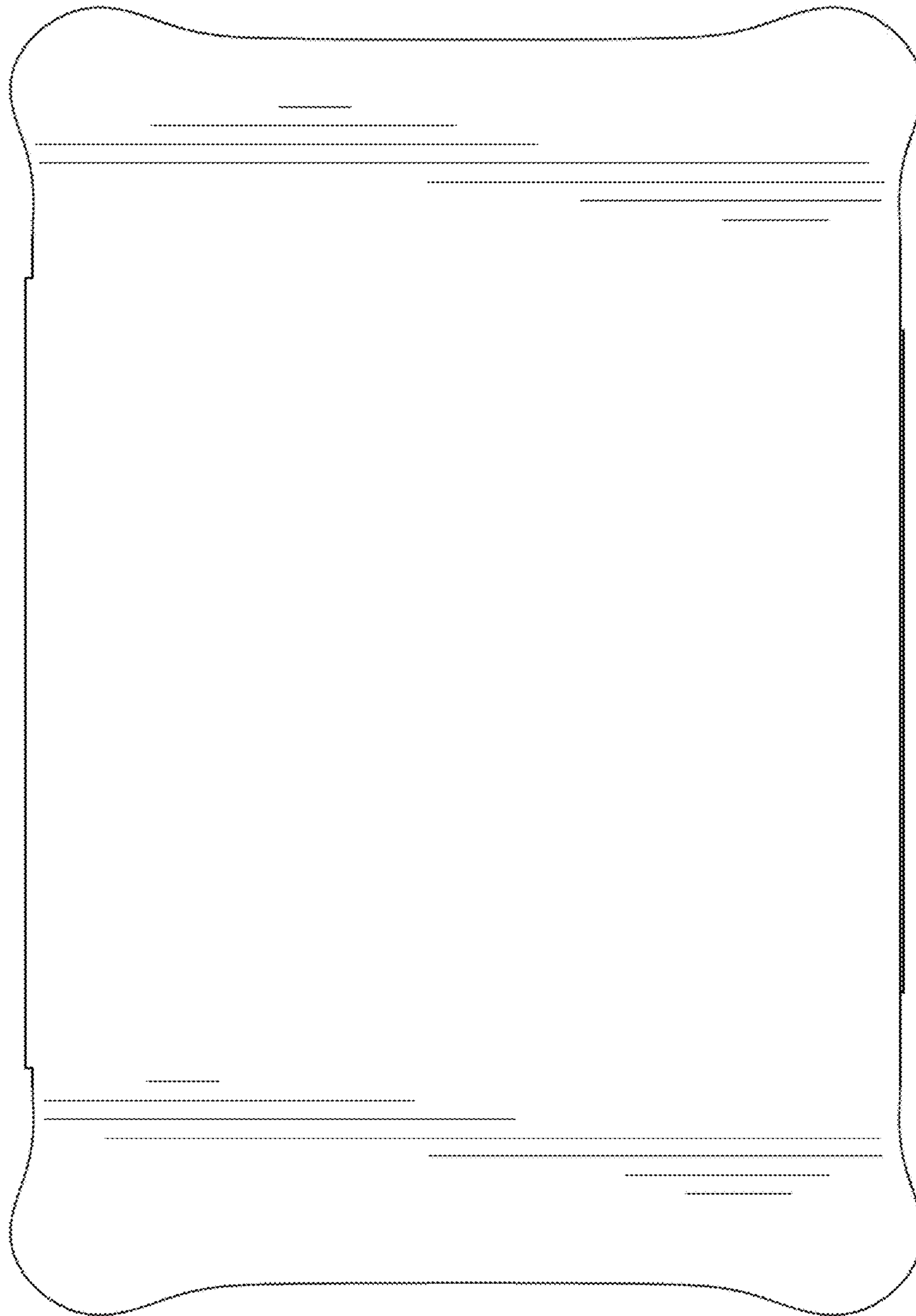


FIG. 3

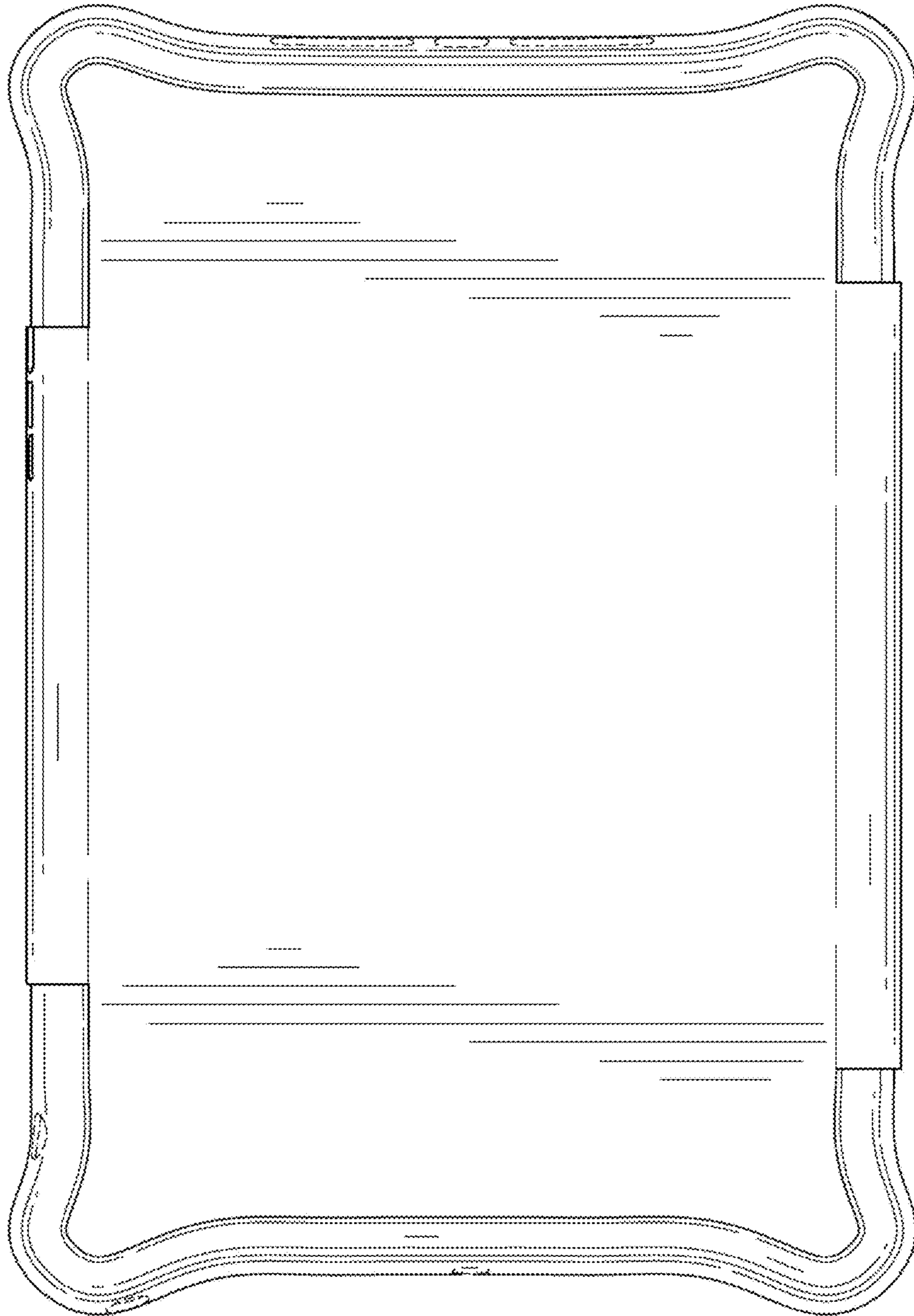


FIG. 4

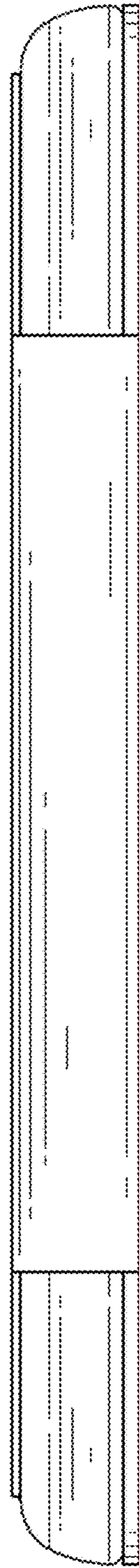


FIG. 5

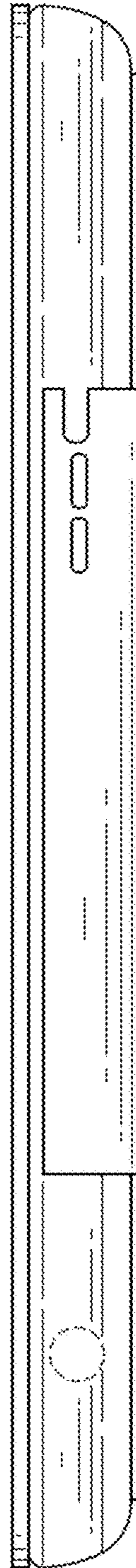


FIG. 6

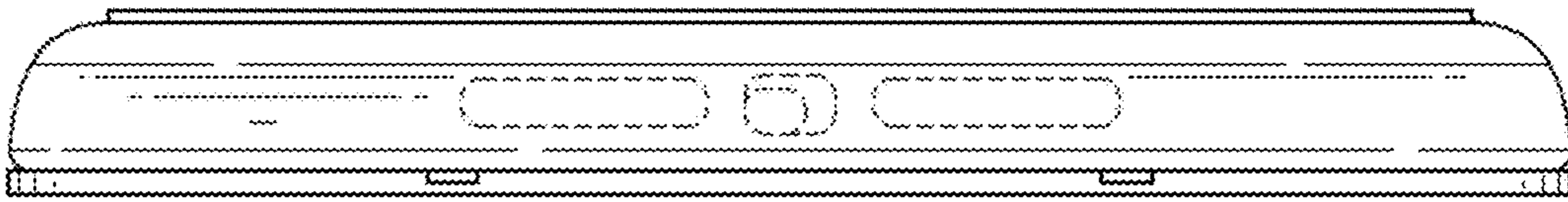


FIG. 7

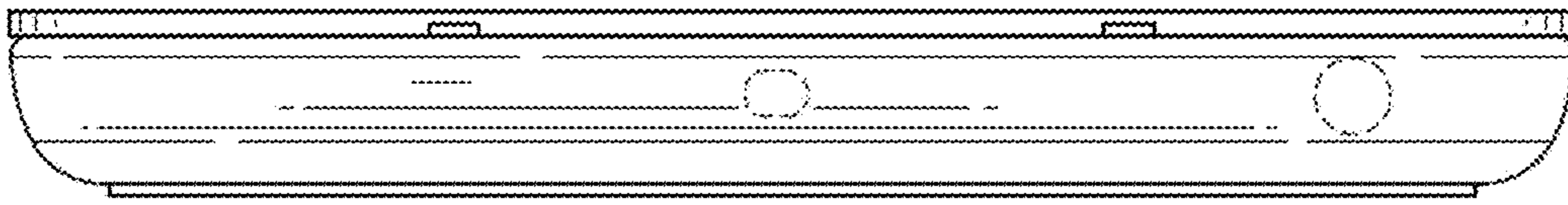


FIG. 8

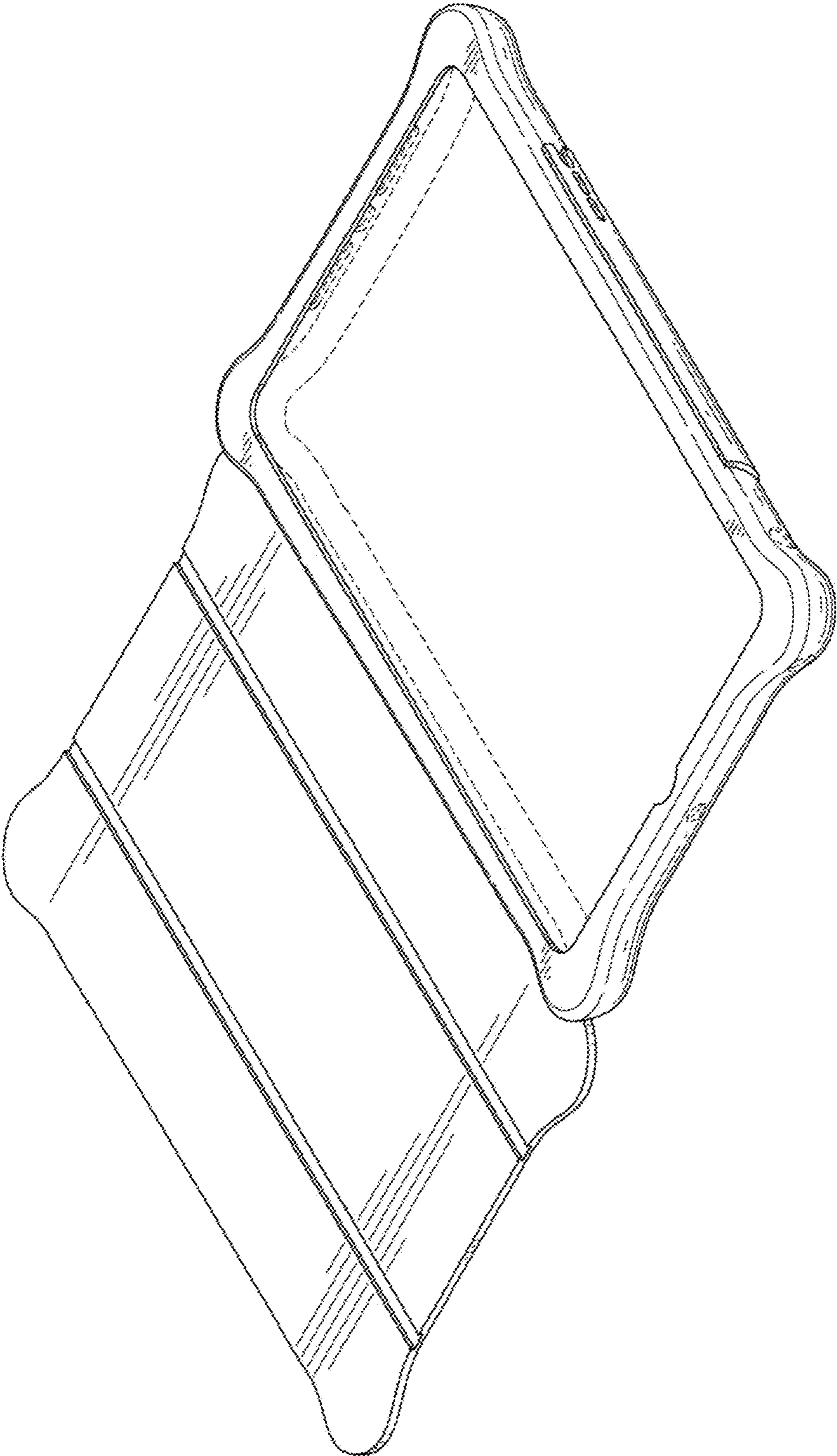


FIG. 9