



US00D829718S

(12) **United States Design Patent**  
**Fletcher et al.**

(10) **Patent No.:** **US D829,718 S**  
(45) **Date of Patent:** **\*\* Oct. 2, 2018**

(54) **DOCKING STATION FOR AN ELECTRONIC DEVICE**

(71) Applicant: **BlackBerry Limited**, Waterloo (CA)

(72) Inventors: **Jodie Elizabeth Fletcher**, Kanata (CA);  
**Brian Dennis Paschke**, Toronto (CA);  
**Joseph Michael Hofer**, Kitchener (CA);  
**Leonardo Aldana**, Walnut Creek, CA (US)

(73) Assignee: **BlackBerry Limited**, Waterloo, Ontario (CA)

(\*\*) Term: **15 Years**

(21) Appl. No.: **29/614,322**

(22) Filed: **Aug. 17, 2017**

**Related U.S. Application Data**

(60) Division of application No. 29/561,413, filed on Apr. 27, 2016, now Pat. No. Des. 795,876, which is a continuation of application No. 29/511,298, filed on Dec. 9, 2014, now Pat. No. Des. 757,730.

(51) **LOC (11) Cl.** ..... **14-02**

(52) **U.S. Cl.**  
USPC ..... **D14/434**

(58) **Field of Classification Search**  
USPC ..... D14/432-434, 314, 204, 420, 421, 447, D14/217, 358, 138 R, 140, 142, 253, 356, D14/496; D13/107, 108, 146; D8/373; 248/346.03, 176.1; 361/679.41, 679.31, 361/679.32, 679.4, 679.43, 679.55, 361/679.58, 679.33; 320/107, 109, 320/112-115; 710/15, 303; 455/557; 439/347, 534  
CPC .. H02J 7/0042; H02J 7/00; H02J 7/025; H02J 7/0044; H02J 7/0045; H02J 7/02; H02J 7/0027; H02J 7/0068; H01R 31/065; H01R 13/6675; H01M 10/44; H01M

2/02; H01M 2/022; H01M 2/0202; F16M 11/10; Y02E 60/12; Y02E 60/122; Y02E 60/124; Y02T 90/14; Y02T 90/122; Y02T 90/128; Y02T 90/163; H04M 1/04; G06F 1/1654; G06F 1/1632; F21L 4/08; F21L 4/085

See application file for complete search history.

(56) **References Cited**

U.S. PATENT DOCUMENTS

D574,375 S *	8/2008	Prest .....	D14/217
D647,525 S *	10/2011	Seto .....	D14/434
D657,741 S *	4/2012	Fahrendorff .....	D13/108
D661,309 S *	6/2012	Murrer .....	D14/447
D672,350 S *	12/2012	Gioscia .....	D14/434
D676,832 S *	2/2013	Akana .....	D14/217
D704,633 S *	5/2014	Ryu .....	D13/108

(Continued)

*Primary Examiner* — Freda S Nunn

(74) *Attorney, Agent, or Firm* — Jon Gibbons; Fleit Gibbons Gutman Bongini & Bianco P.L.

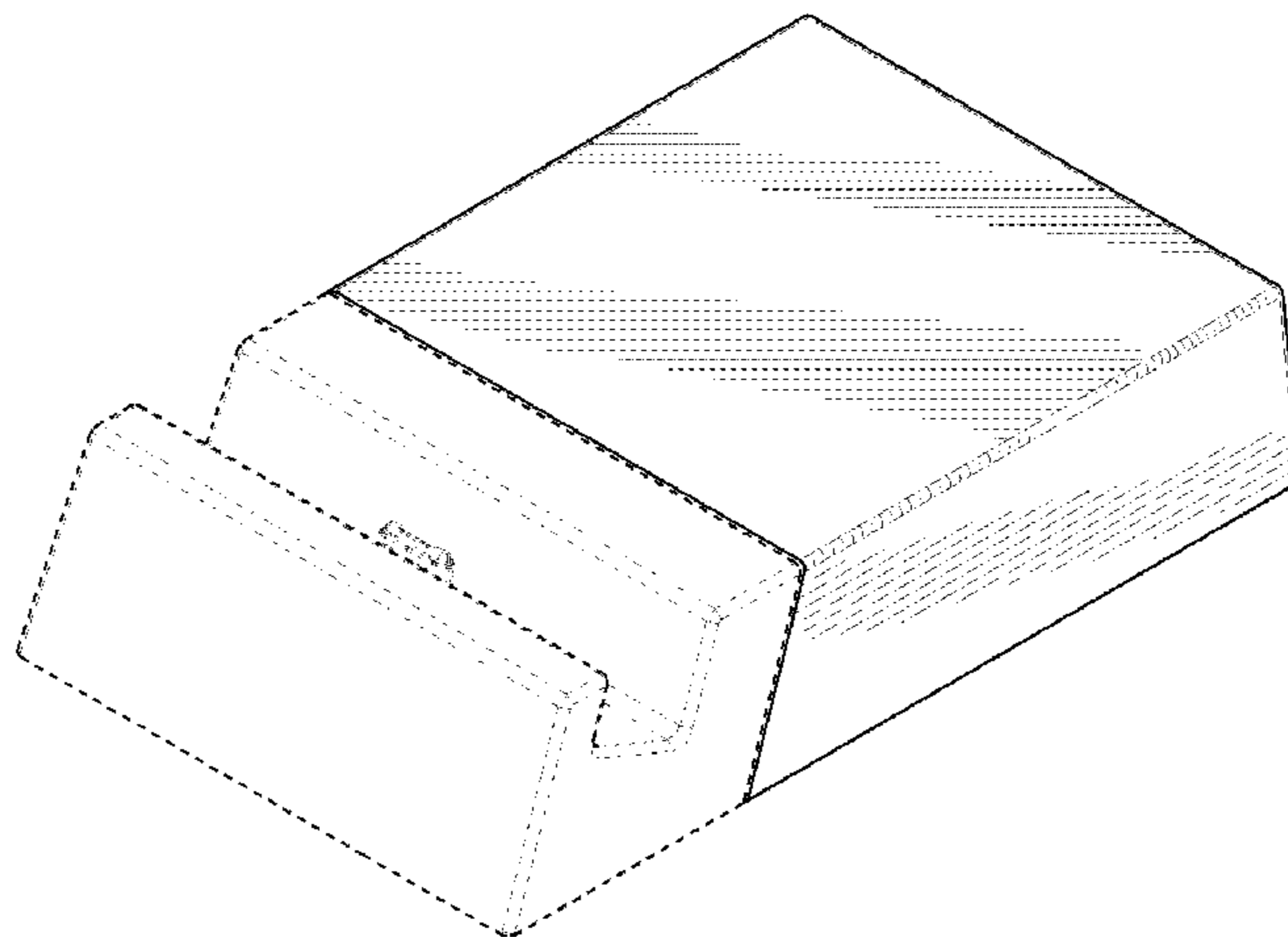
(57) **CLAIM**

The ornamental design for a docking station for an electronic device, as shown and described.

**DESCRIPTION**

FIG. 1 is a top perspective view of the docking station for an electronic device;  
FIG. 2 is bottom perspective view thereof;  
FIG. 3 is a front elevation view thereof;  
FIG. 4 is a rear elevation view thereof;  
FIG. 5 is a first side elevation view thereof;  
FIG. 6 is a second side elevation view thereof;  
FIG. 7 is a top plan view thereof; and,  
FIG. 8 is a bottom plan view thereof.  
Broken lines shown in the Figures form no part of the claimed design.

**1 Claim, 6 Drawing Sheets**



(56)

**References Cited**

U.S. PATENT DOCUMENTS

D757,730 S \* 5/2016 Fletcher ..... D14/434  
2008/0219488 A1 \* 9/2008 Crooijmans ..... G06F 1/1632  
381/333

\* cited by examiner

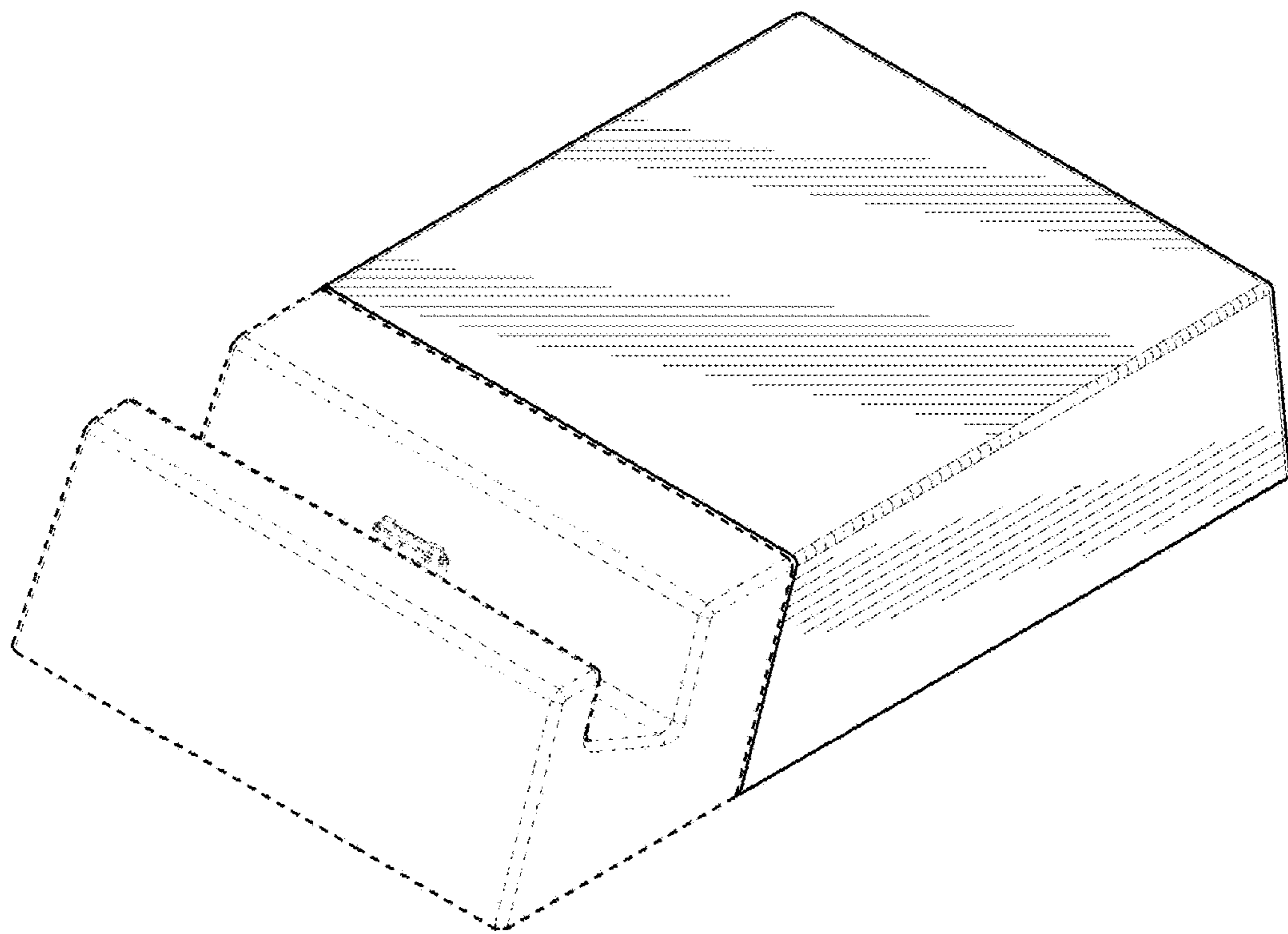


FIG. 1

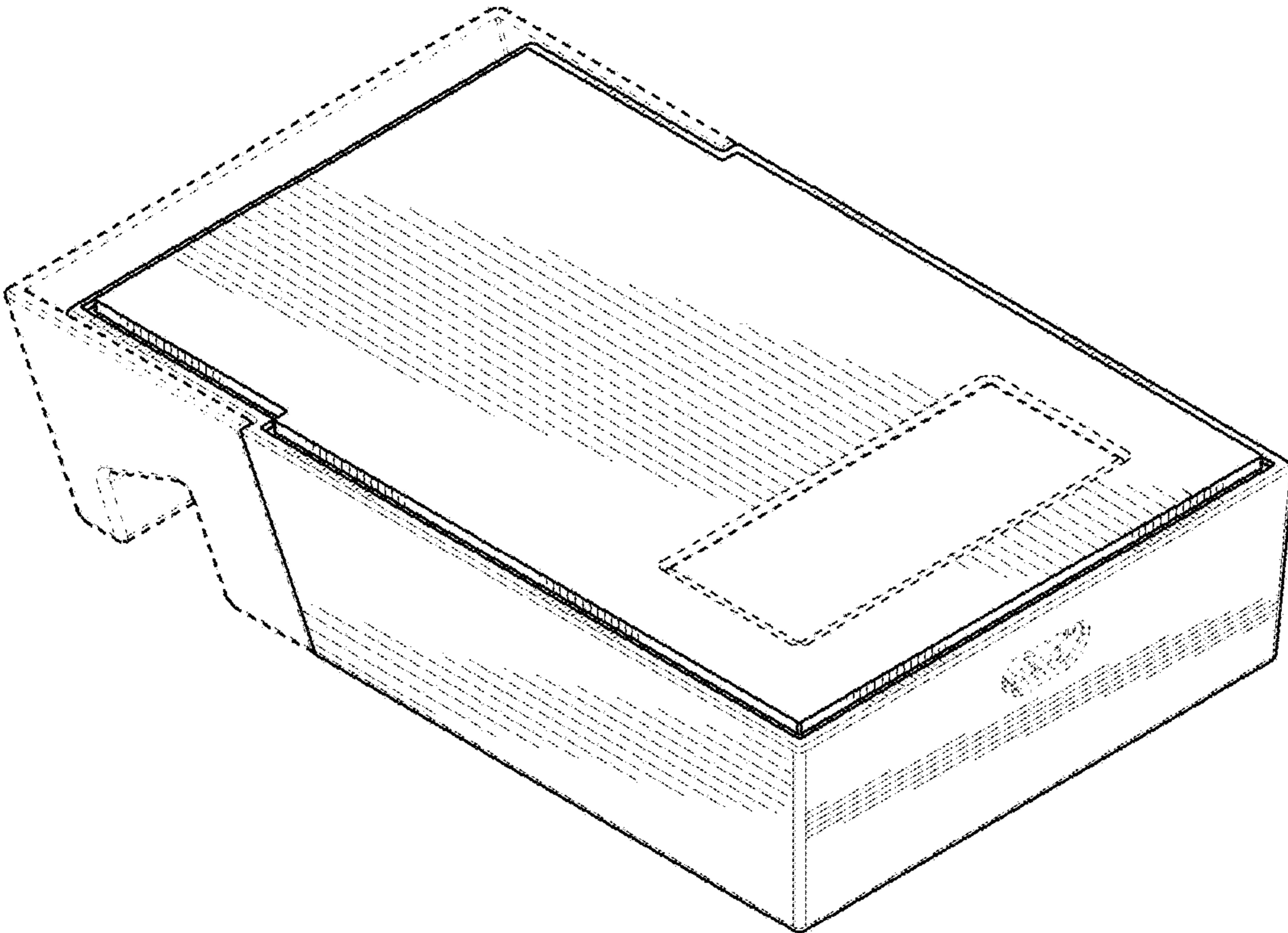


FIG.2



FIG.3

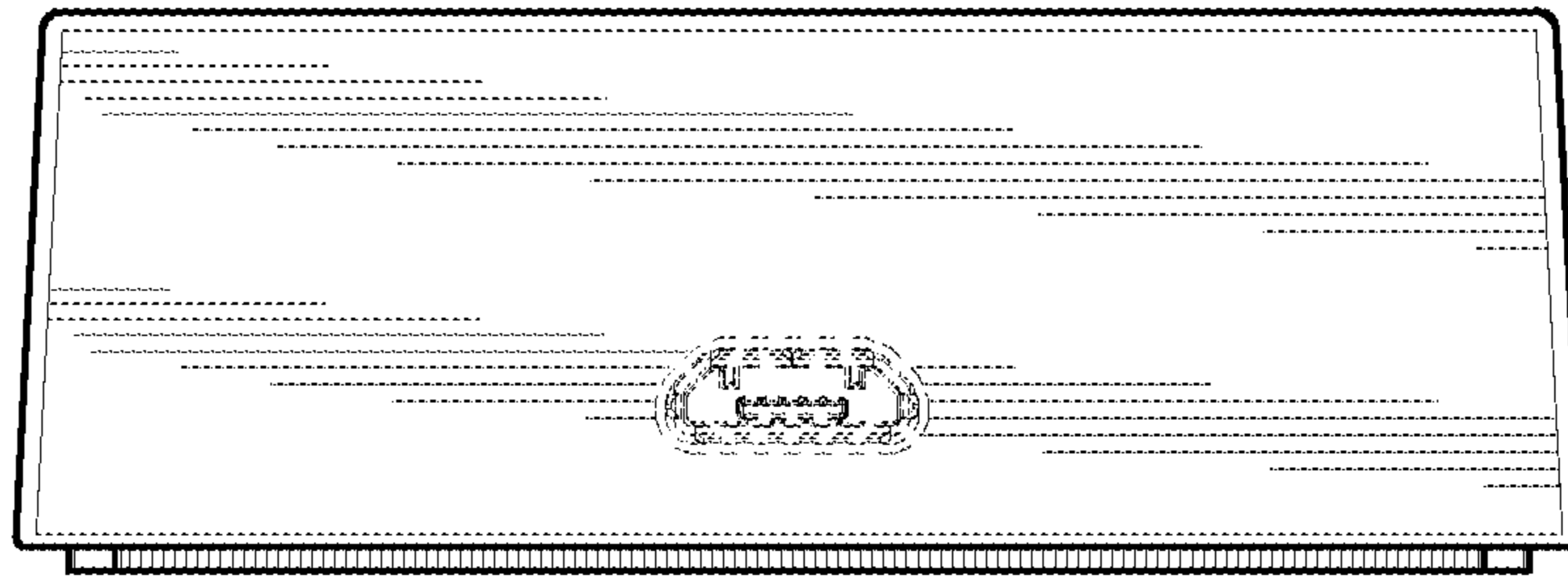


FIG.4

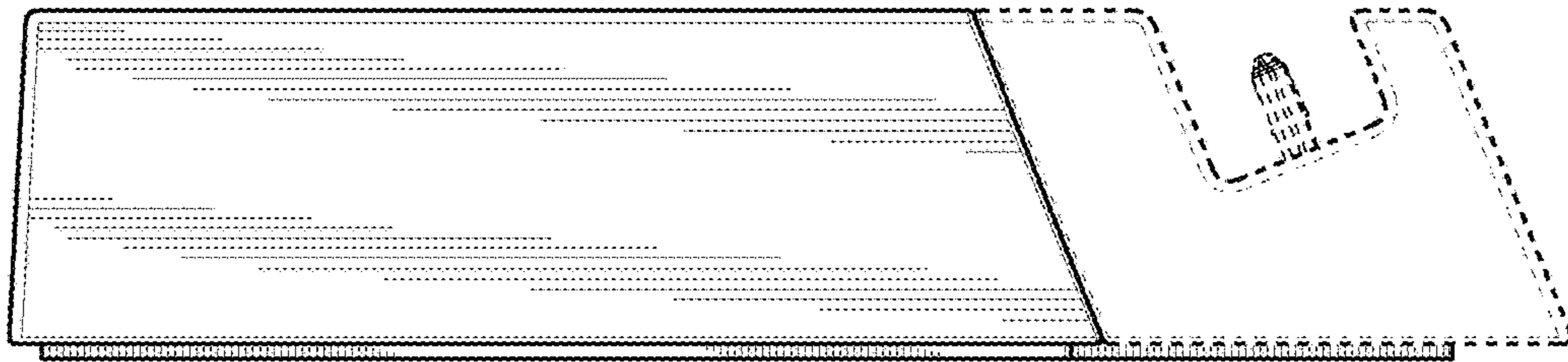


FIG. 5

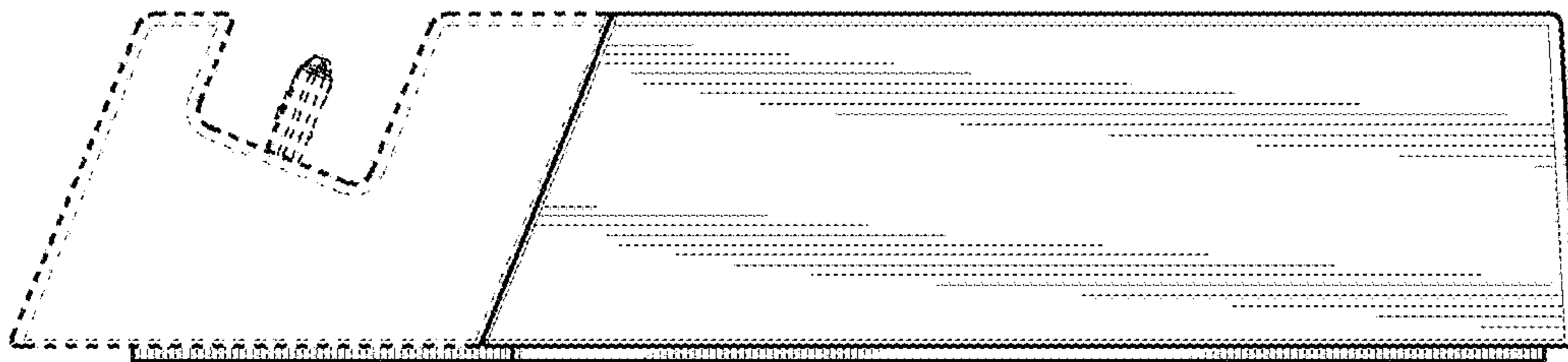


FIG. 6

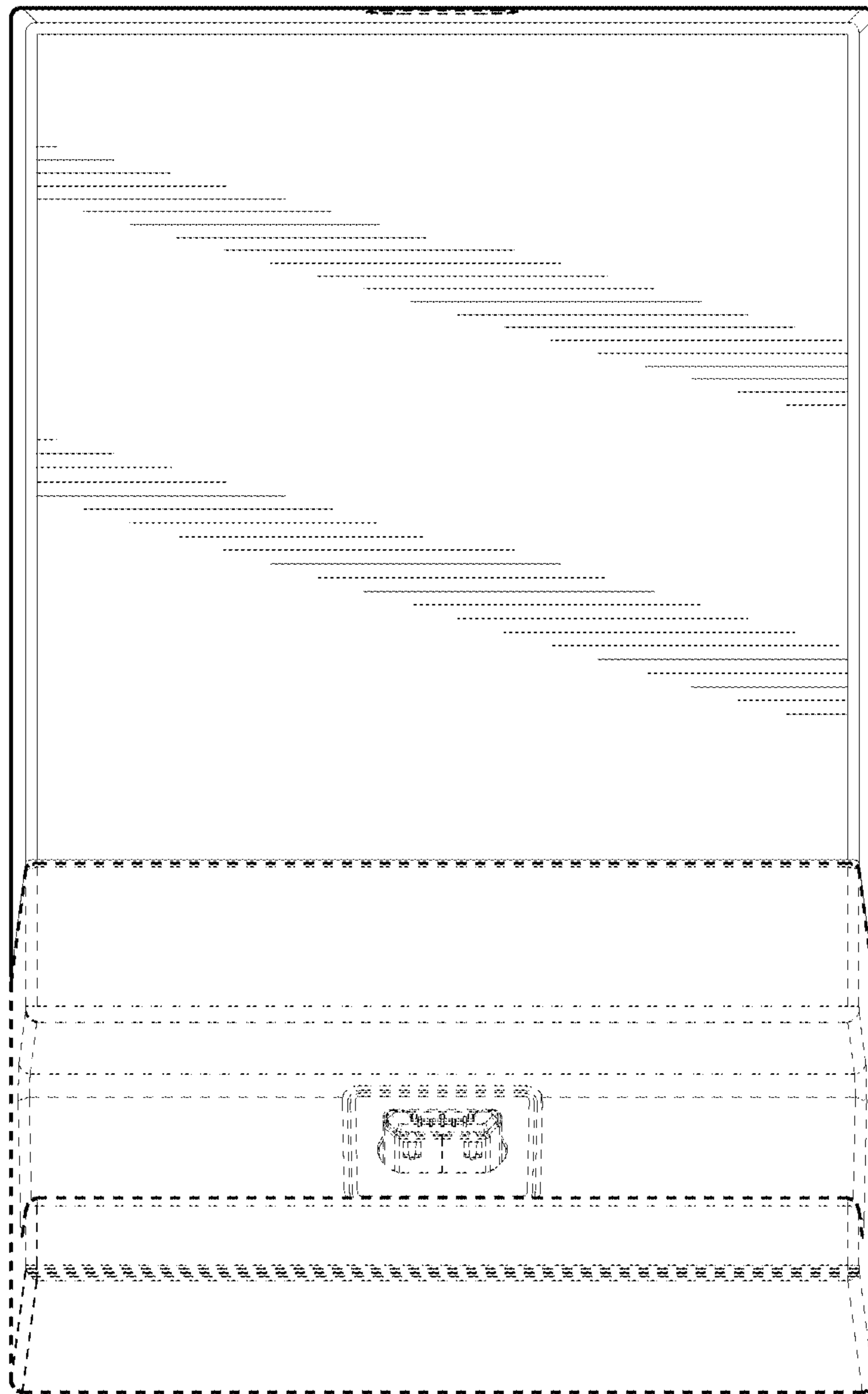


FIG.7

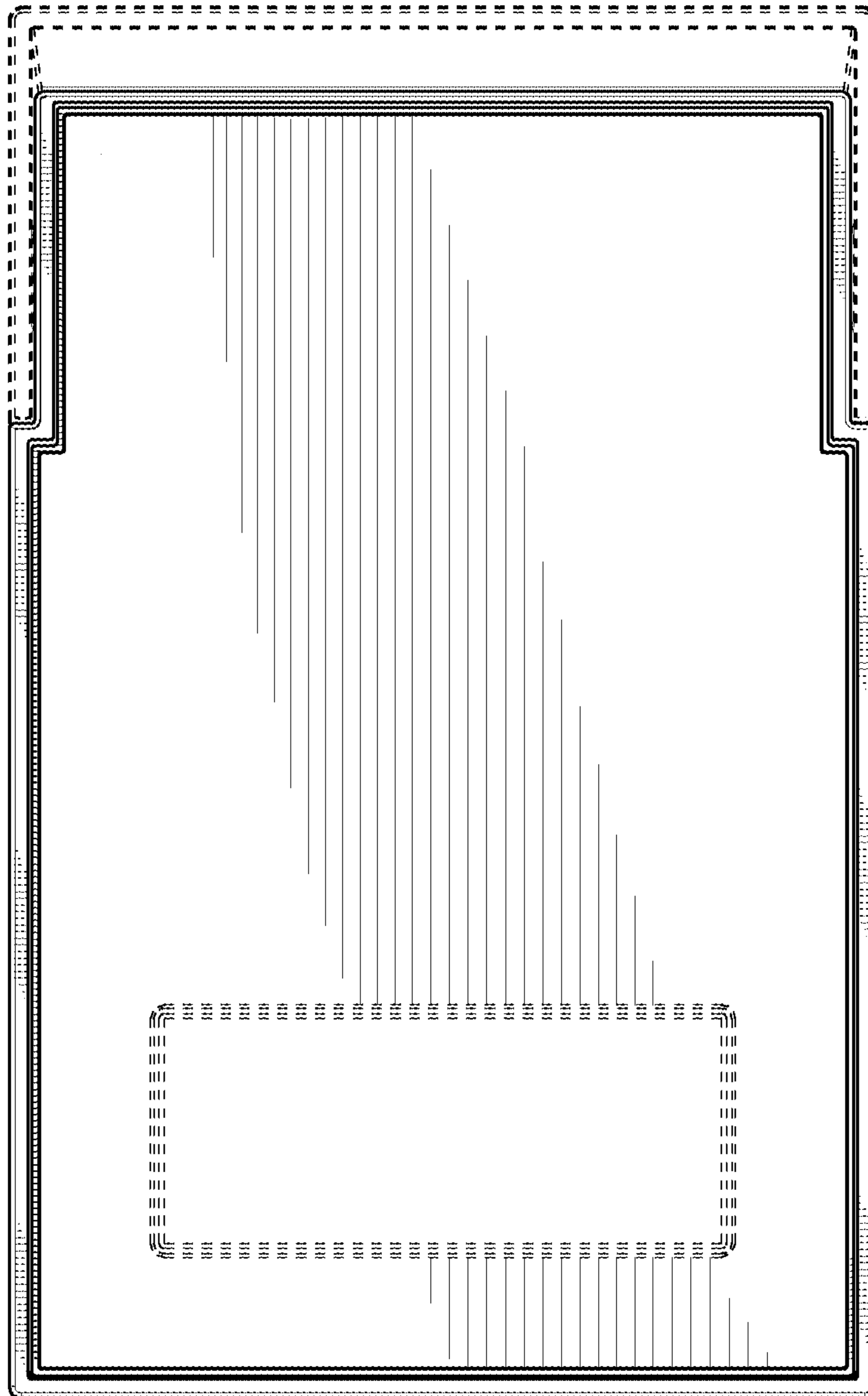


FIG.8