



US00D829716S

(12) **United States Design Patent** (10) **Patent No.:** **US D829,716 S**
Barnard et al. (45) **Date of Patent:** **** Oct. 2, 2018**

(54) **INFORMATION HANDLING SYSTEM
KEYBOARD**

- (71) Applicant: **Dell Products L.P.**, Round Rock, TX (US)
- (72) Inventors: **Christopher T. Barnard**, Austin, TX (US); **Joshua Y. Probst**, Austin, TX (US); **Victor C. Cheung**, Singapore (SG)
- (73) Assignee: **Dell Products L.P.**, Round Rock, TX (US)
- (**) Term: **15 Years**
- (21) Appl. No.: **29/610,523**
- (22) Filed: **Jul. 13, 2017**
- (51) **LOC (11) Cl.** **14-02**
- (52) **U.S. Cl.**
USPC **D14/391**
- (58) **Field of Classification Search**
USPC D14/315–327, 391–399, 455, 456; D18/1, 2, 7, 11; 235/145 A, 145 R; 341/22, 23; 345/104, 156, 168, 169, 173; 361/679.08, 679.09, 679.11, 679.26, 361/679.27
CPC G06F 1/16; G06F 1/1616; G06F 1/1626; G06F 1/1632; G06F 1/1613; G06F 1/1601; G06F 1/1618; G06F 1/162; G06F 3/0221; G06F 3/0216; H01R 35/02; H03M 11/00; G09B 13/04; H03K 17/94; G09G 5/00; F16M 11/10; H05K 5/00; H04M 1/0237; H01H 13/14; H01H 13/84; B41J 5/00; B41J 5/12; B41J 5/10
- See application file for complete search history.

(56) **References Cited**

U.S. PATENT DOCUMENTS

D583,818 S * 12/2008 Kuchler D14/391
D629,403 S * 12/2010 Raken D14/391

OTHER PUBLICATIONS

Logitech, G910 Orion Spark and Orion Spectrum RGB Mechanical Gaming Keyboards, printed Oct. 13, 2017.

* cited by examiner

Primary Examiner — Freda S Nunn

(74) *Attorney, Agent, or Firm* — Zaborin Cave LLP; Robert W. Holland

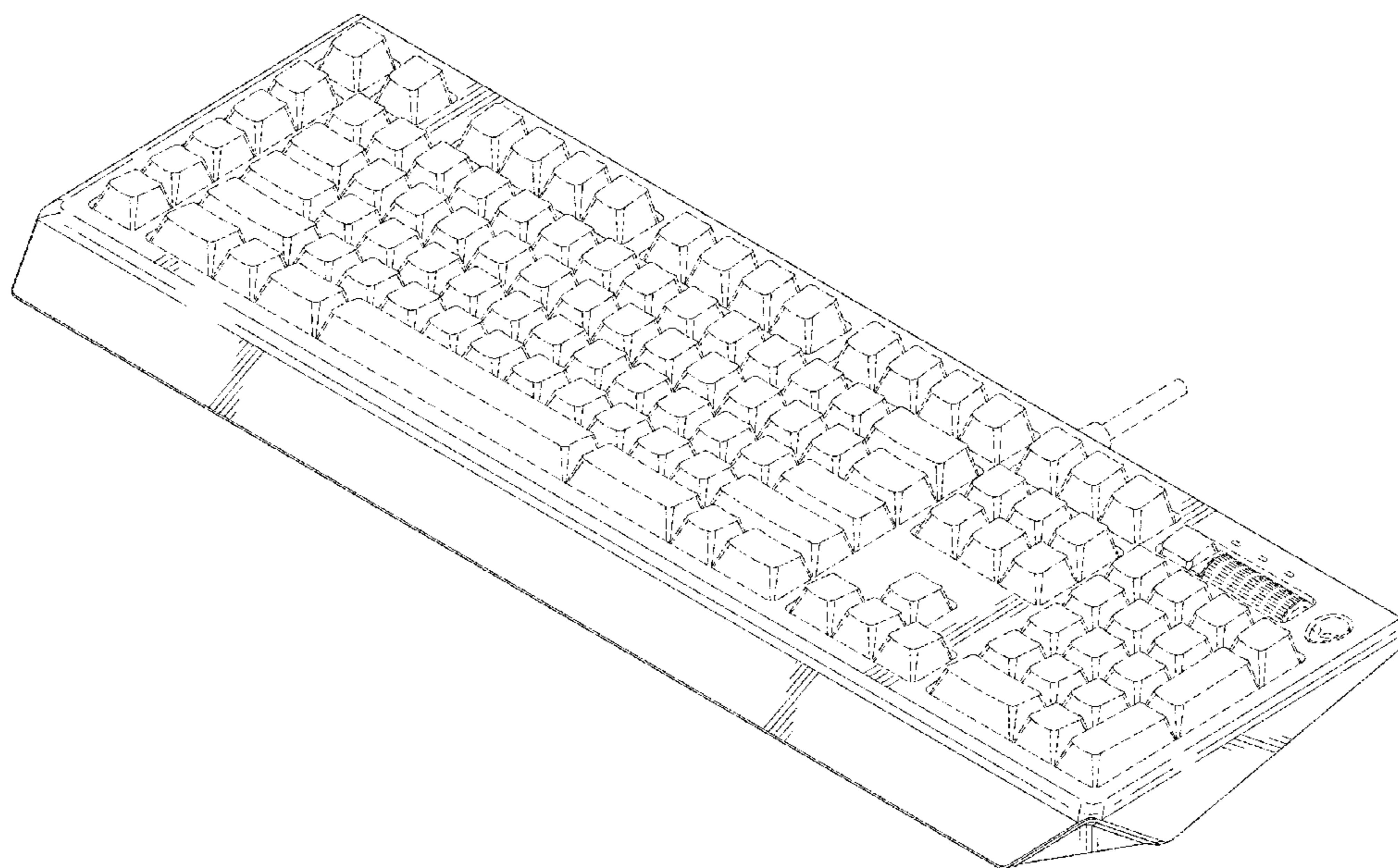
(57) **CLAIM**

The ornamental design for an information handling system keyboard, as shown and described.

DESCRIPTION

FIG. 1 is a front perspective view of the information handling system keyboard comprising the present invention; FIG. 2 is a front elevation view thereof; FIG. 3 is a rear elevation view thereof; FIG. 4 is a right side view thereof; FIG. 5 is a left side view thereof; FIG. 6 is a top view thereof; FIG. 7 is a bottom view thereof; and, FIG. 8 is a front perspective view thereof having a palm rest installed. Broken lines shown in the drawings illustrate portions of the information handling system keyboard, and form no part of the claimed design.

1 Claim, 6 Drawing Sheets



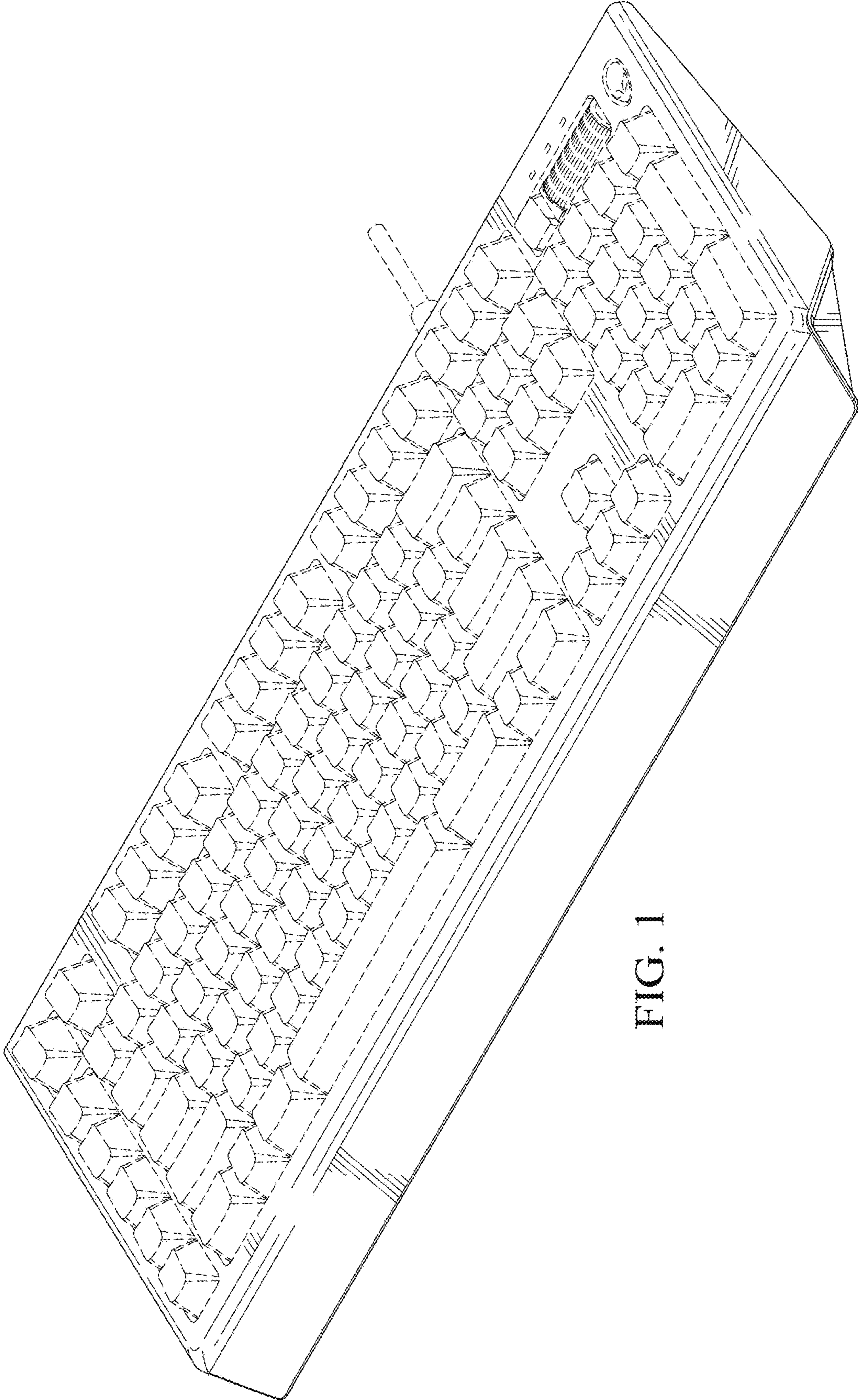


FIG. 1

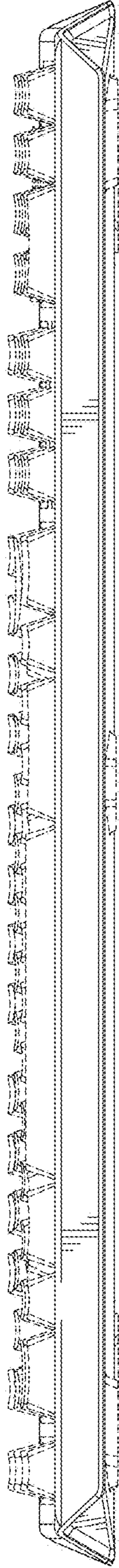


FIG. 2

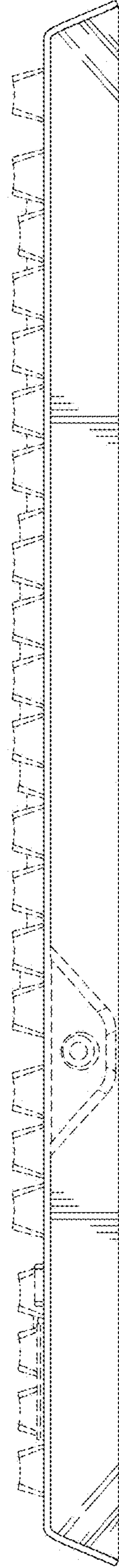


FIG. 3

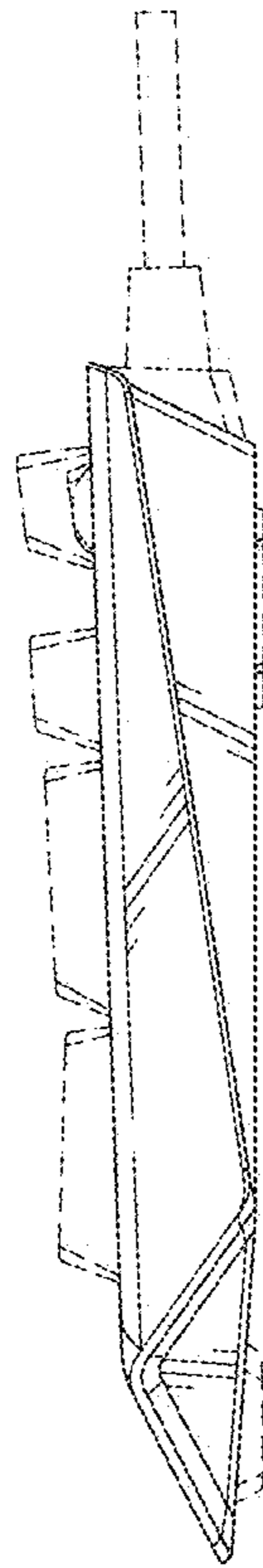


FIG. 4

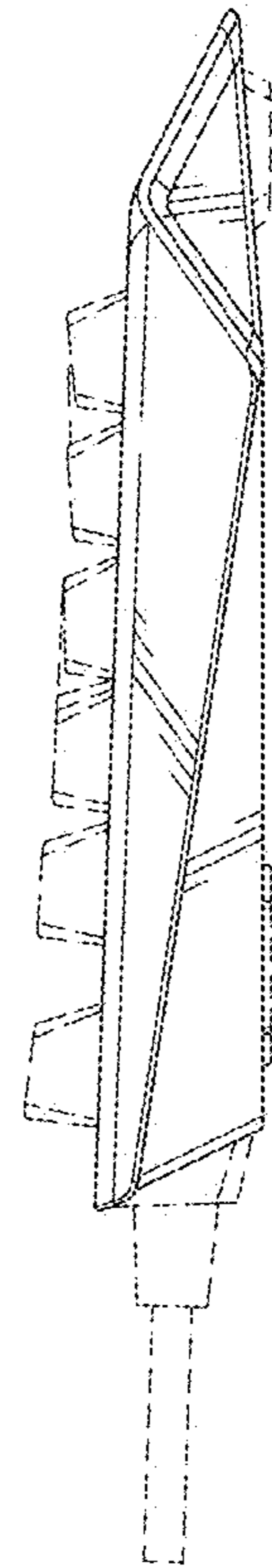


FIG. 5

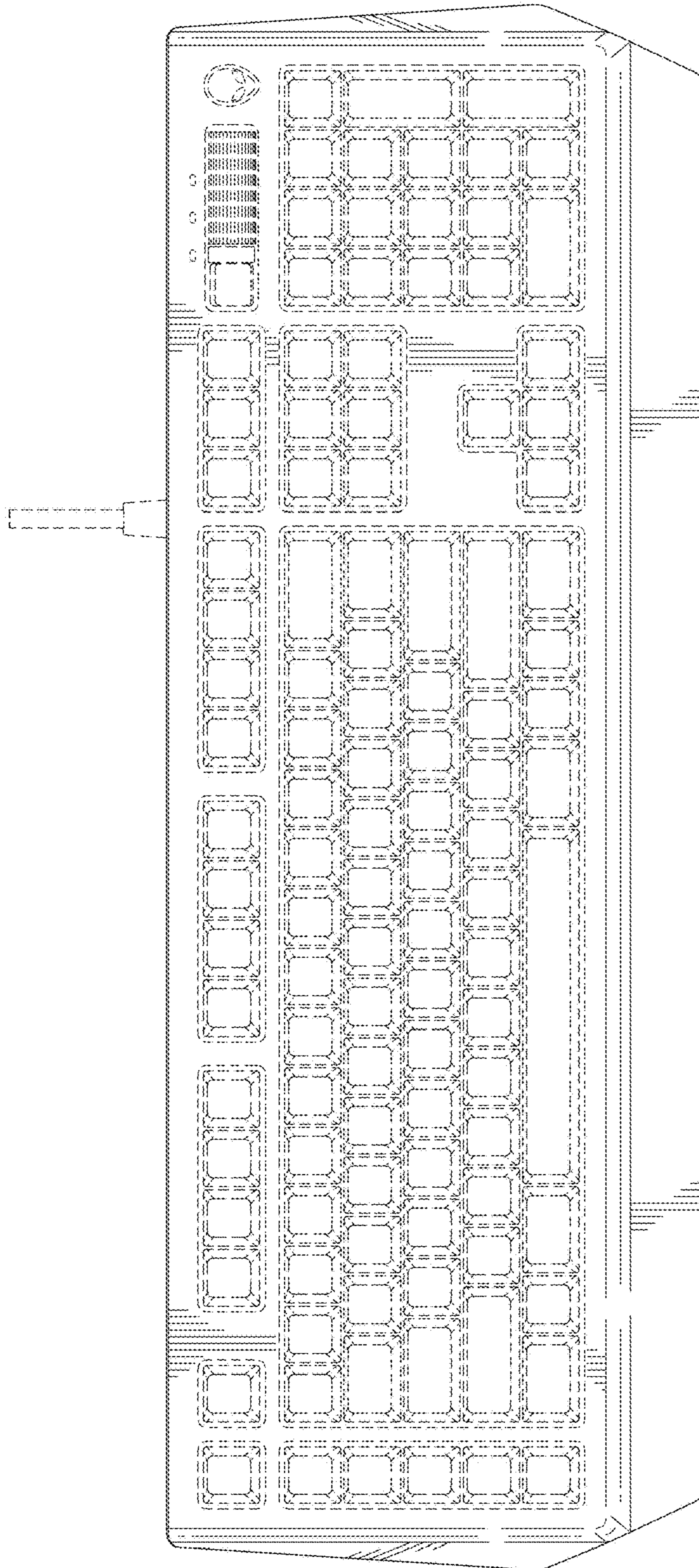


FIG. 6

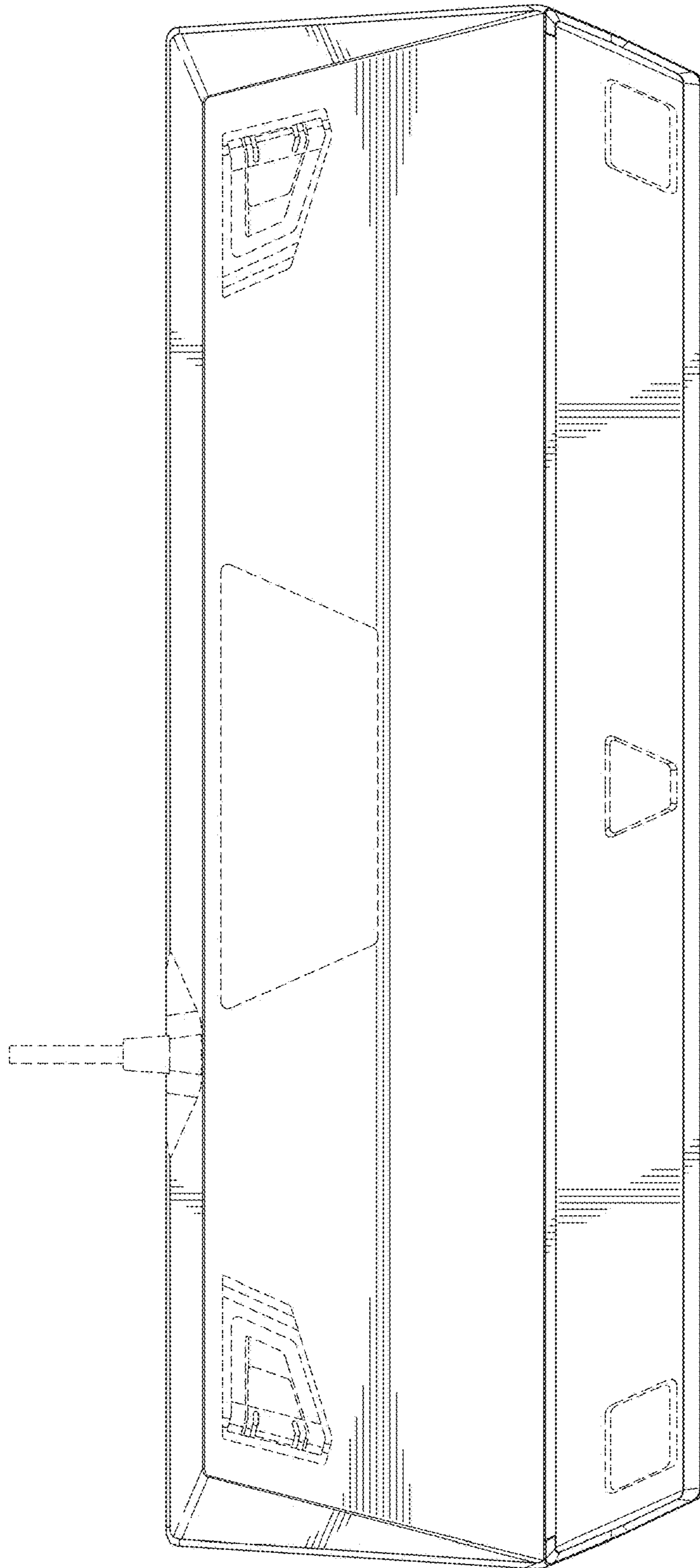


FIG. 7

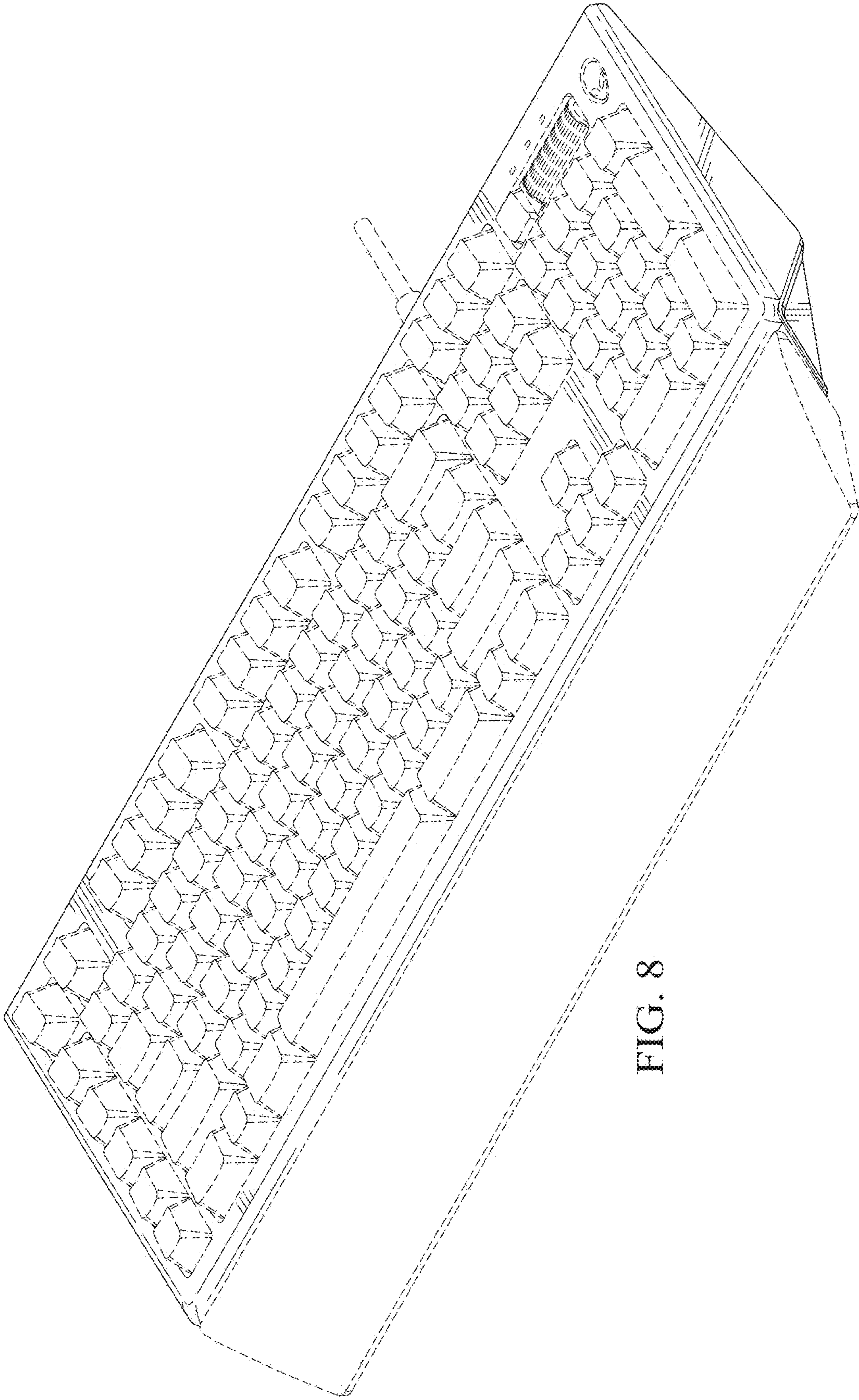


FIG. 8

UNITED STATES PATENT AND TRADEMARK OFFICE
CERTIFICATE OF CORRECTION

PATENT NO. : D829,716 S
APPLICATION NO. : 29/610523
DATED : October 2, 2018
INVENTOR(S) : Christopher T. Barnard et al.

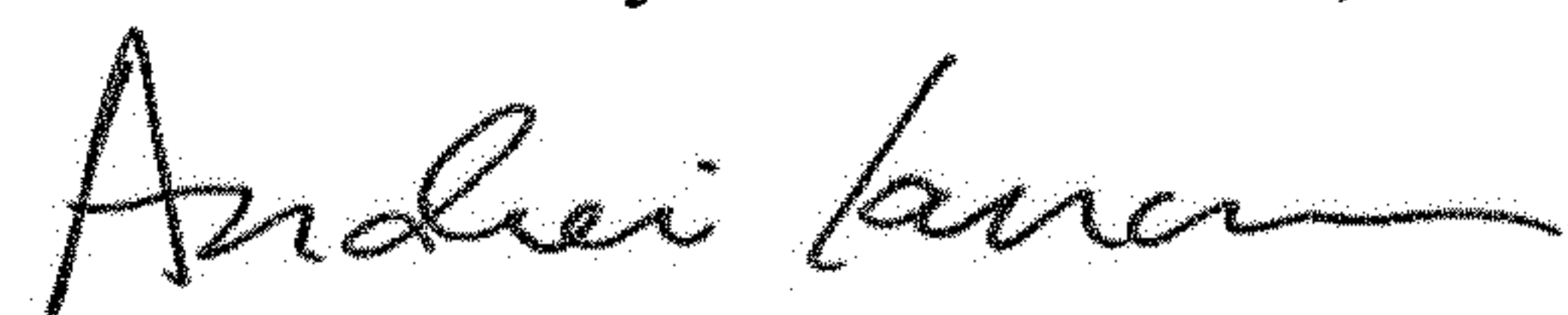
Page 1 of 1

It is certified that error appears in the above-identified patent and that said Letters Patent is hereby corrected as shown below:

On the Title Page

Under (74) Attorney, Agent, or Firm, please replace "Zaborin" with --Zagorin--.

Signed and Sealed this
Twentieth Day of November, 2018



Andrei Iancu
Director of the United States Patent and Trademark Office