



US00D829715S

(12) **United States Design Patent**
Winston

(10) **Patent No.:** **US D829,715 S**
(45) **Date of Patent:** **** Oct. 2, 2018**

(54) **OVERHEAD DISPLAY**
(71) Applicant: **Systems and Software Enterprises, LLC**, Brea, CA (US)
(72) Inventor: **Joseph Rhoads Winston**, Raleigh, NC (US)
(73) Assignee: **SYSTEMS AND SOFTWARE ENTERPRISES, LLC**, Brea, CA (US)
(**) Term: **15 Years**
(21) Appl. No.: **29/599,124**

D462,670 S * 9/2002 Kasuga D14/132
6,633,347 B2 * 10/2003 Kitazawa B60K 35/00
248/919
D510,329 S * 10/2005 Vitito D14/132
D529,462 S * 10/2006 Lee D14/132
7,280,166 B2 * 10/2007 Nagata B60R 11/0211
348/836
7,379,125 B2 * 5/2008 Chang B60R 11/0235
296/37.7
8,485,486 B2 7/2013 Riedel et al.
8,727,413 B2 * 5/2014 Seiller B60R 11/00
296/24.34
8,789,954 B1 7/2014 Atkins et al.
8,910,990 B1 * 12/2014 Oldani B60R 11/02
220/260

(Continued)

(22) Filed: **Mar. 31, 2017**
(51) **LOC (11) Cl.** **14-02**
(52) **U.S. Cl.**
USPC **D14/371**; D14/132
(58) **Field of Classification Search**
USPC D14/371-375, 125-129, 132, 336, 337;
D6/300, 308; D19/113, 114; D20/10
CPC G09F 15/0025; G09F 15/0062; G09F
15/0068; G06F 1/16; G06F 1/1613; G06F
1/133308; G06F 1/1601; G06F 3/037;
G06F 1/162; F16M 11/02; F16M 11/10;
F16M 11/00; F16M 11/06; F16M 11/18;
F16M 11/045; F16M 11/105; F16M
11/041; F16M 11/126; F16M 11/04;
F16M 11/24; F16M 13/02; A47F 5/00;
B60R 11/00; B60R 11/02; B60R 11/0235;
B60R 11/0252; B60R 11/0258; B60R
13/00; H04H 7/00; H05K 5/02; H05K
5/0017; H05K 5/0217; H04N 5/64; H04N
13/0459; H04N 21/2146
See application file for complete search history.

FOREIGN PATENT DOCUMENTS

DE 10 2011 077 344 B4 7/2015
WO 99/00976 1/1999

Primary Examiner — Freda S Nunn
(74) *Attorney, Agent, or Firm* — Umberg Zipser LLP;
Ryan S. Dean

(57) **CLAIM**

The ornamental design for an overhead display, as shown and described.

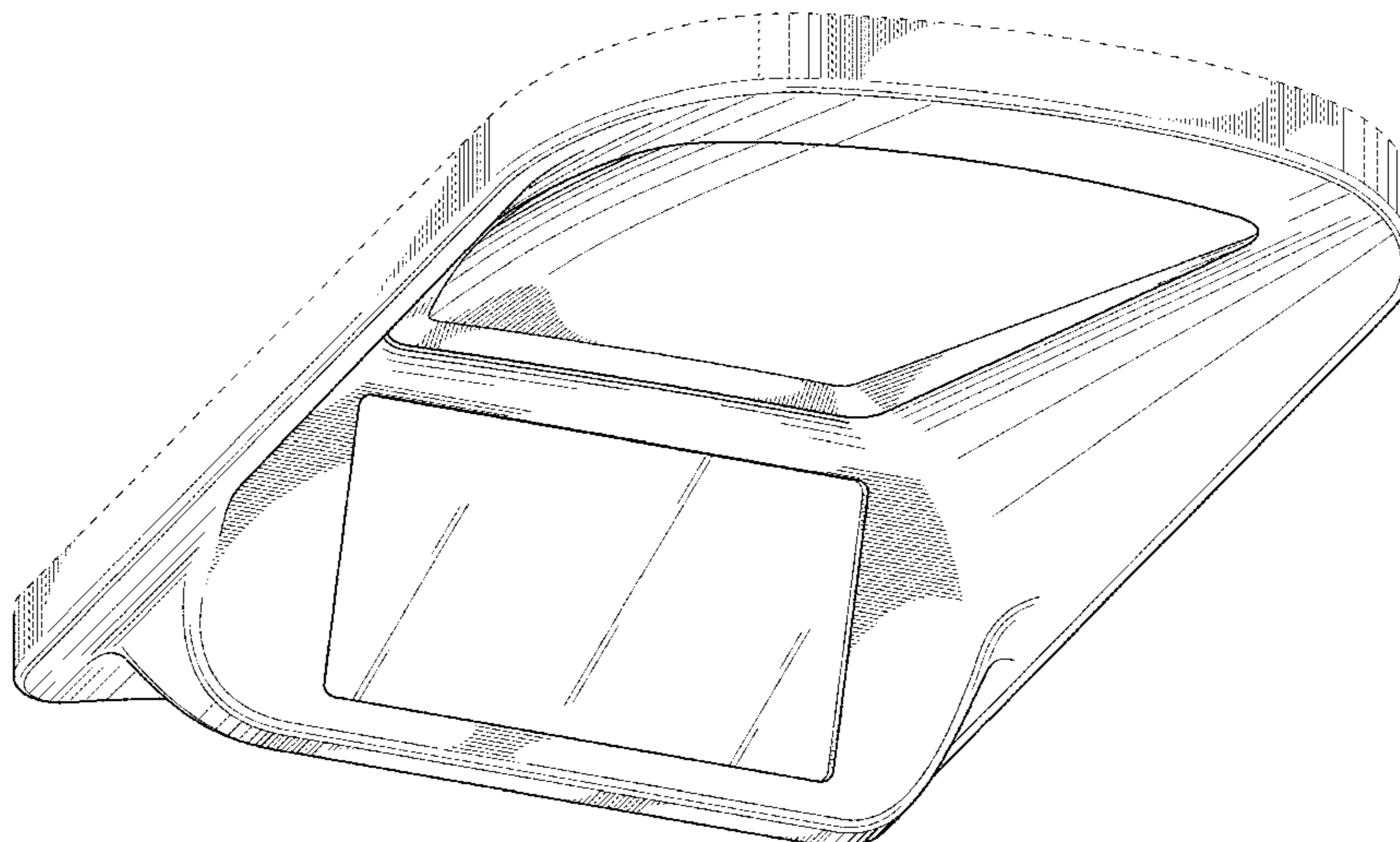
DESCRIPTION

FIG. 1 is a front, bottom, left side perspective view of an overhead display of the new design.
FIG. 2 is a front elevation view of the overhead display of FIG. 1.
FIG. 3 is a rear elevation view thereof.
FIG. 4 is a left side elevation view thereof.
FIG. 5 is a right side elevation view thereof; and,
FIG. 6 is a bottom plan view thereof.
The broken lines in the Figures are included for the purpose of defining the claim boundary, and form no part of the claimed design.

(56) **References Cited**
U.S. PATENT DOCUMENTS

5,946,055 A 8/1999 Rosen
6,246,449 B1 6/2001 Rosen

1 Claim, 4 Drawing Sheets



(56)

References Cited

U.S. PATENT DOCUMENTS

9,403,489	B2 *	8/2016	Angeletti	B60R 11/0241
2002/0005917	A1	1/2002	Rosen	
2002/0149708	A1 *	10/2002	Nagata	B60R 11/0211
				348/837
2006/0097537	A1 *	5/2006	Schedivy	B60R 11/00
				296/37.8
2011/0133028	A1	6/2011	Riedel et al.	
2012/0230047	A1 *	9/2012	Smith	B60R 7/04
				362/543
2012/0320508	A1	12/2012	Riedel et al.	
2013/0043779	A1 *	2/2013	Fan	A45C 11/00
				312/327

* cited by examiner

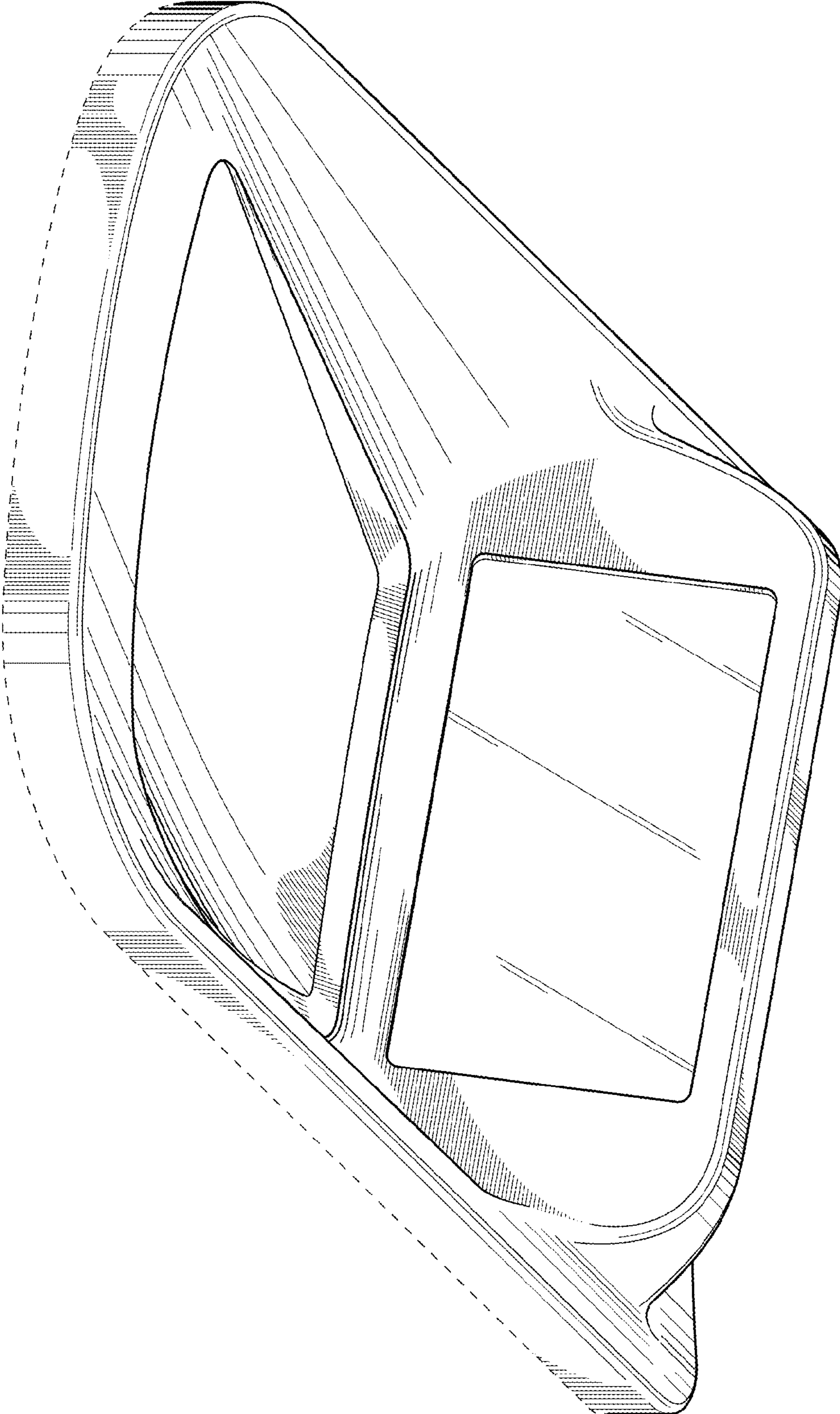


FIG. 1

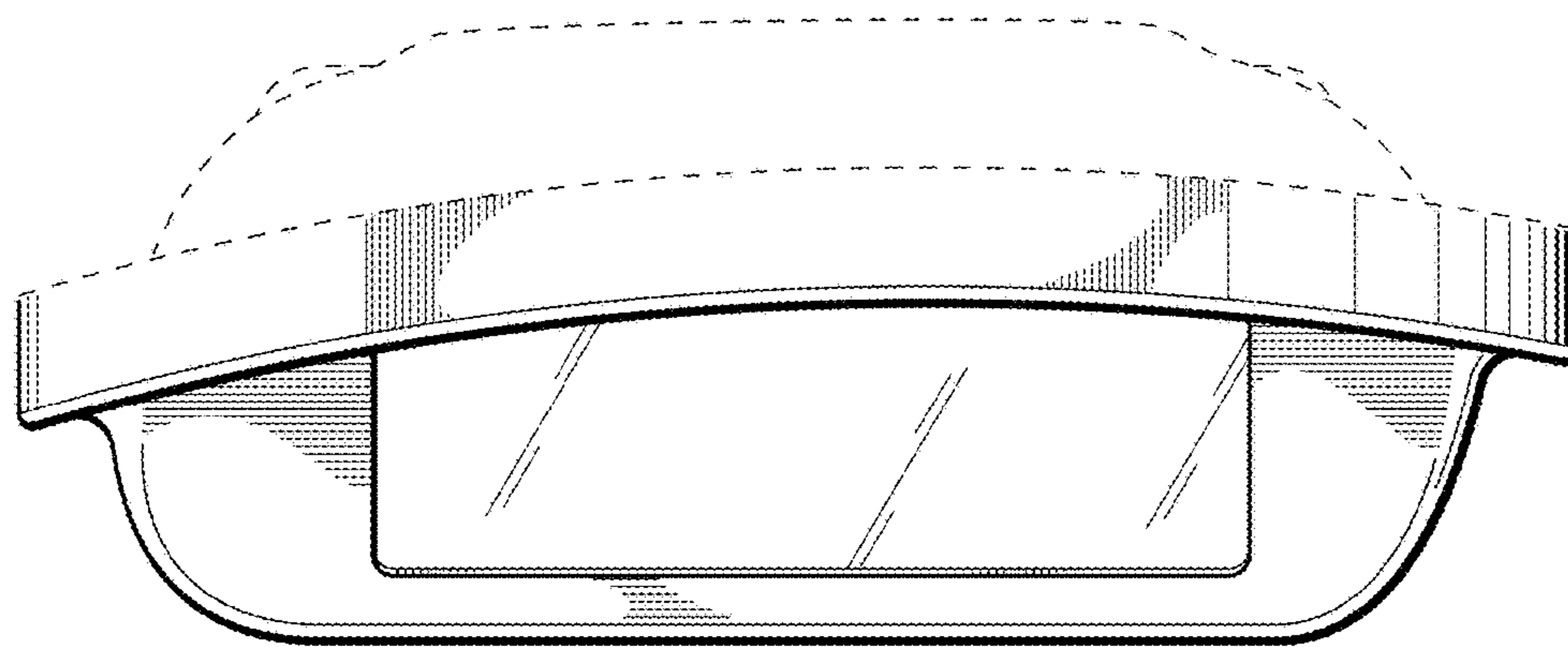


FIG. 2

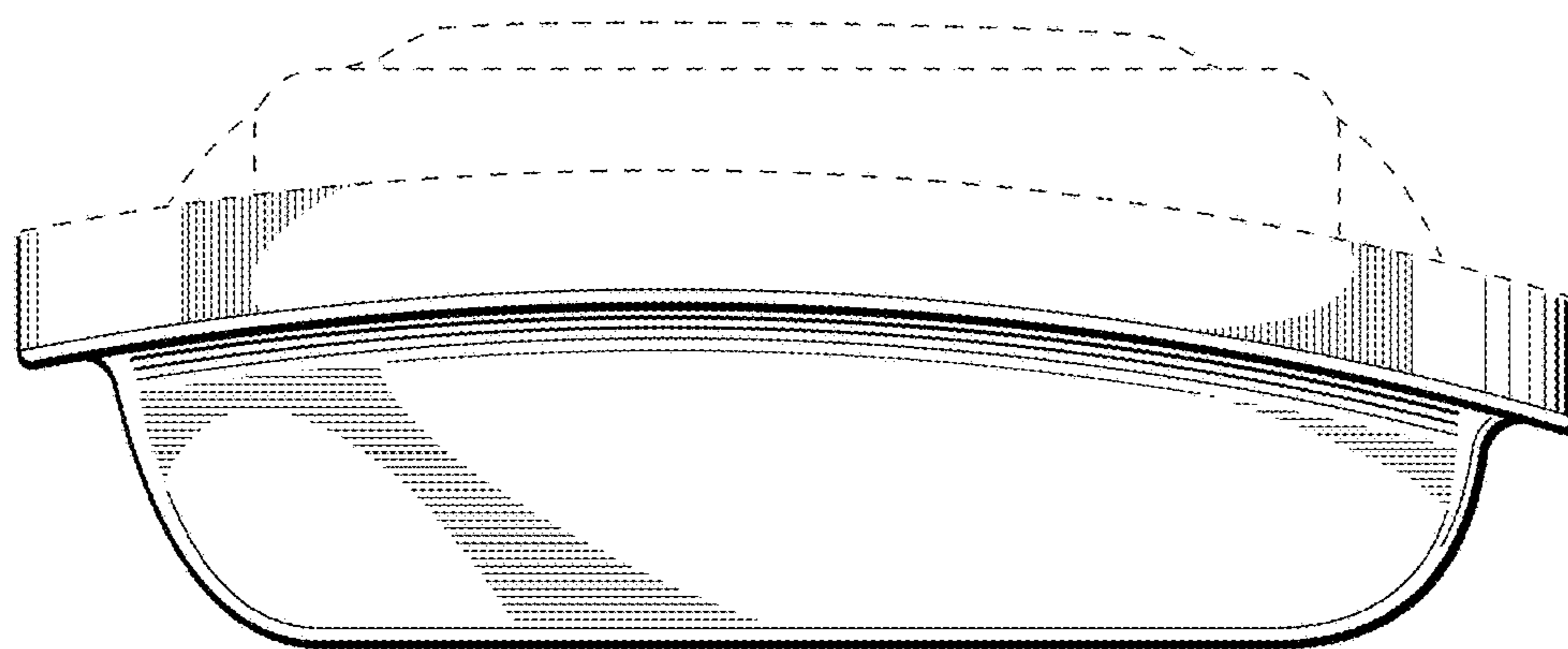


FIG. 3

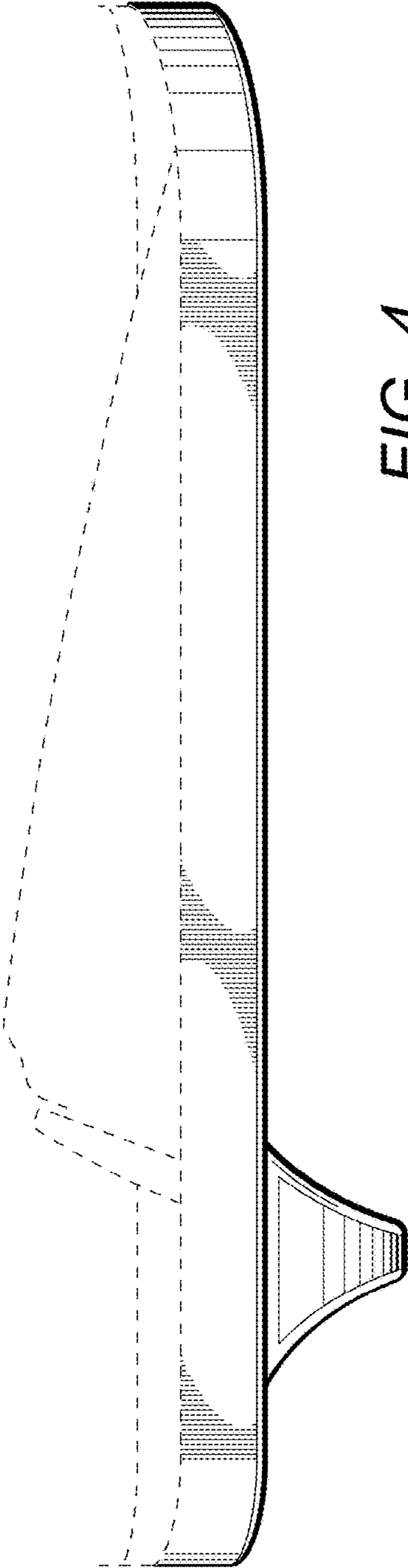


FIG. 4

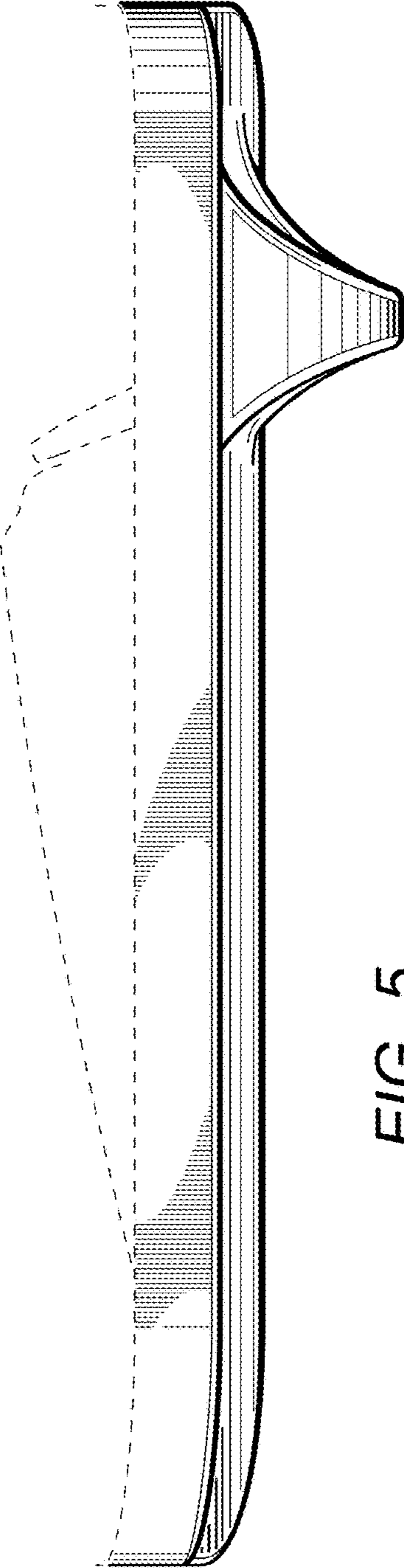


FIG. 5

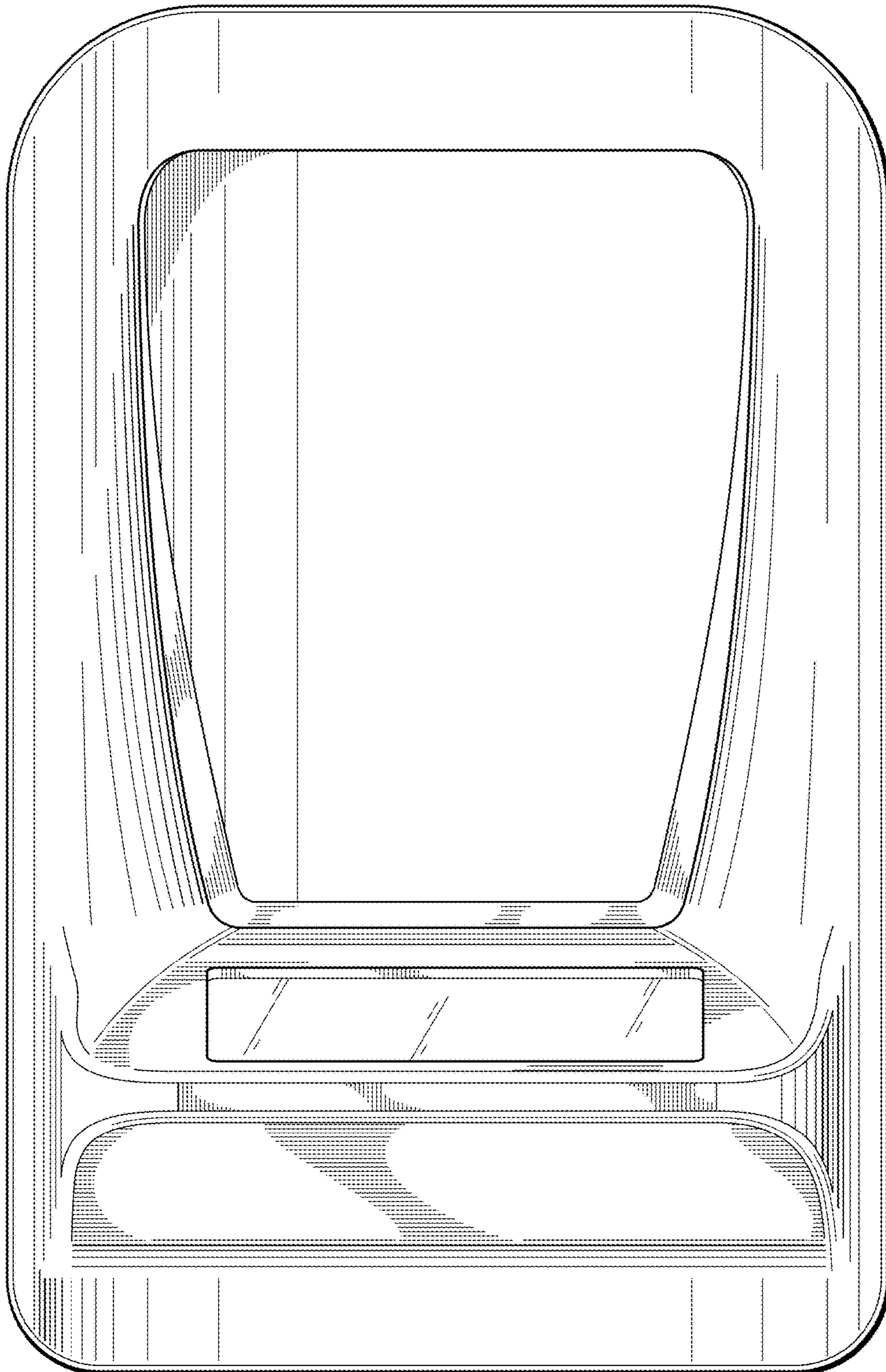


FIG. 6