



US00D829714S

(12) **United States Design Patent** (10) **Patent No.:** **US D829,714 S**  
**Robinson** (45) **Date of Patent:** **\*\* Oct. 2, 2018**

(54) **ELECTRONIC DATA STORAGE AND TRANSFER SET**

(71) Applicant: **Kenneth Robinson**, Brandon, FL (US)

(72) Inventor: **Kenneth Robinson**, Brandon, FL (US)

(\*\*) Term: **15 Years**

(21) Appl. No.: **29/577,099**

(22) Filed: **Sep. 9, 2016**

(51) **LOC (11) Cl.** ..... **14-02**

(52) **U.S. Cl.**  
USPC ..... **D14/356; D14/358**

(58) **Field of Classification Search**  
USPC ..... D14/356-358, 348, 363, 364, 365, 367, D14/433, 435, 435.1, 480.1, 480.3, 496, D14/168, 188; D13/103, 107, 108, 123, D13/152, 158, 159, 162.1, 199, 110, 151, D13/162, 184, 179, 180; D10/104.1, D10/104.2, 106.1, 106.6  
CPC ... G06F 1/00; G06F 1/02; G06F 21/00; G06F 3/00; H05K 5/00  
See application file for complete search history.

(56) **References Cited**

**U.S. PATENT DOCUMENTS**

D385,502 S *	10/1997	Lanza	.....	D10/104.1
D388,067 S *	12/1997	Chen	.....	D14/388
D401,523 S *	11/1998	Baker	.....	D10/106.2
D405,020 S *	2/1999	Brown	.....	D10/104.1
D421,928 S *	3/2000	Russo	.....	D10/106.1
D423,389 S *	4/2000	Boyd	.....	D10/104.2
D423,510 S *	4/2000	Pizarro	.....	D14/191
D424,463 S *	5/2000	Babers, Jr.	.....	D10/104.2
D424,464 S *	5/2000	Stephens	.....	D10/104.1
D424,467 S *	5/2000	Perez	.....	D10/104.2
D427,098 S *	6/2000	Biary	.....	D10/104.1
D427,099 S *	6/2000	Hunter	.....	D10/104.2
D438,132 S *	2/2001	Givings	.....	D10/104.1
D453,693 S *	2/2002	Schumacher	.....	D10/65

D453,698 S *	2/2002	Marks	.....	D10/104.1
D483,748 S	12/2003	Alviar et al.	.....	
D487,027 S *	2/2004	Spickelmier	.....	D10/104.2
D487,707 S *	3/2004	Hurion	.....	D10/106.6
D492,283 S *	6/2004	Adam	.....	D14/218
D515,955 S *	2/2006	Edwards	.....	D10/104.1
D534,822 S *	1/2007	Wadda	.....	D10/104.1
D535,971 S *	1/2007	Andrade	.....	D14/155
D554,058 S *	10/2007	Yang	.....	D13/110
D574,834 S *	8/2008	Chen	.....	D14/432
D615,541 S *	5/2010	Hamilton	.....	D14/356
D630,631 S *	1/2011	Hamilton	.....	D14/356
D635,174 S *	3/2011	Stewart	.....	D16/208

(Continued)

**FOREIGN PATENT DOCUMENTS**

EP 2747298 6/2013

*Primary Examiner* — Susan B Hattan  
*Assistant Examiner* — Marie D Fast Horse

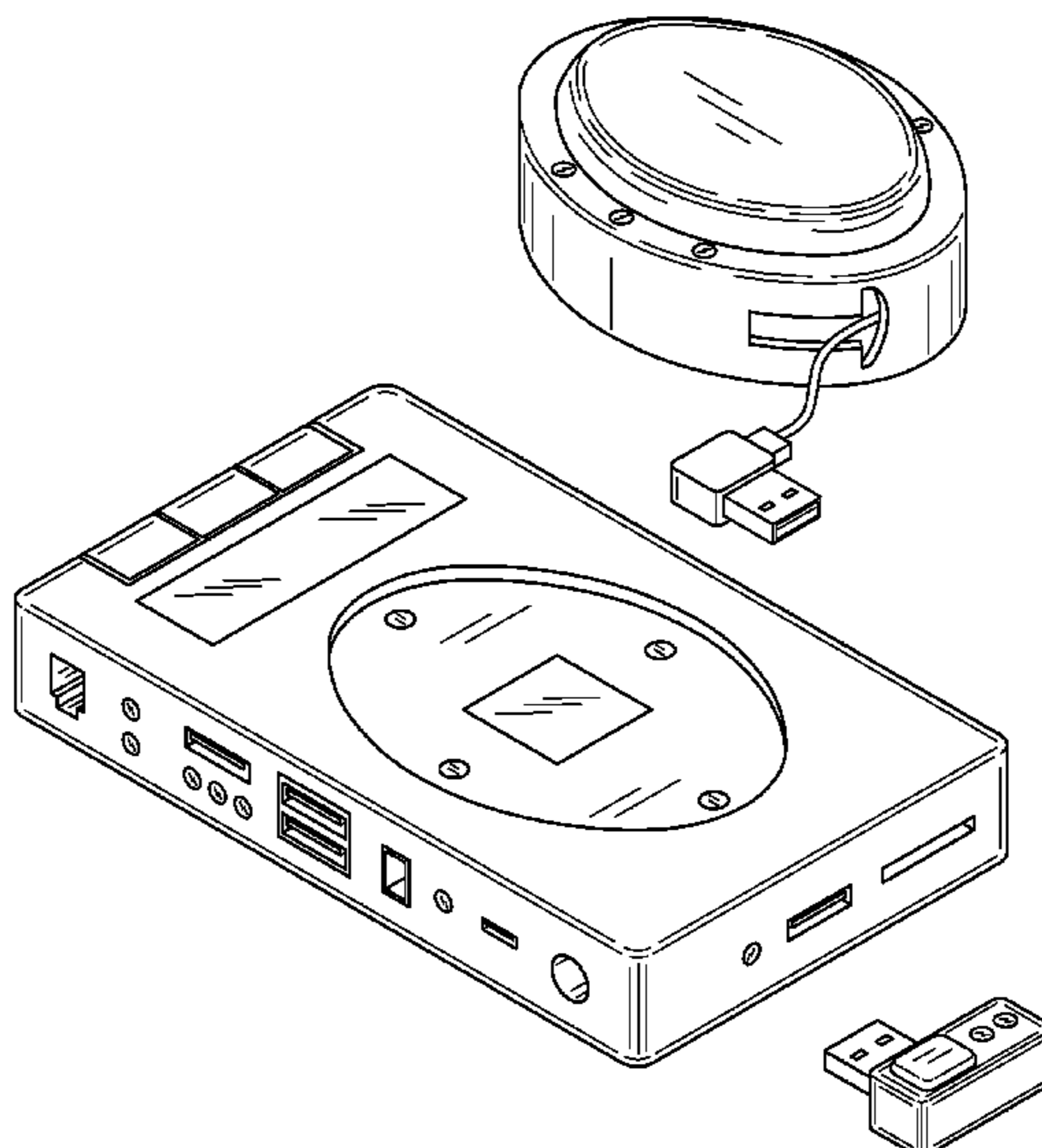
(57) **CLAIM**

The ornamental design for a electronic data storage and transfer set, as shown and described.

**DESCRIPTION**

FIG. 1 is a front view of an electronic data storage and transfer set showing my new design;  
FIG. 2 is a rear view of the electronic data storage and transfer set;  
FIG. 3 is a left side view of the electronic data storage and transfer set.  
FIG. 4 is a right side view of the electronic data storage and transfer set.  
FIG. 5 is a top view of the electronic data storage and transfer set;  
FIG. 6 is a bottom view of the electronic data storage and transfer set; and,  
FIG. 7 is a bottom front side perspective view of the electronic data storage and transfer set.

**1 Claim, 5 Drawing Sheets**



(56)

**References Cited**

U.S. PATENT DOCUMENTS

D650,715 S \* 12/2011 Hill ..... D10/104.2  
D677,239 S \* 3/2013 Todorovitch ..... D14/131  
D682,835 S \* 5/2013 Daniel ..... D14/433  
D783,620 S \* 4/2017 Uggla ..... D14/435.1  
D789,358 S \* 6/2017 Yang ..... D14/356  
2010/0293374 A1 11/2010 Bushby  
2012/0221668 A1 8/2012 Chen et al.  
2013/0242962 A1 9/2013 Tung  
2013/0282852 A1 10/2013 Chu  
2013/0304866 A1 11/2013 Wu et al.

\* cited by examiner

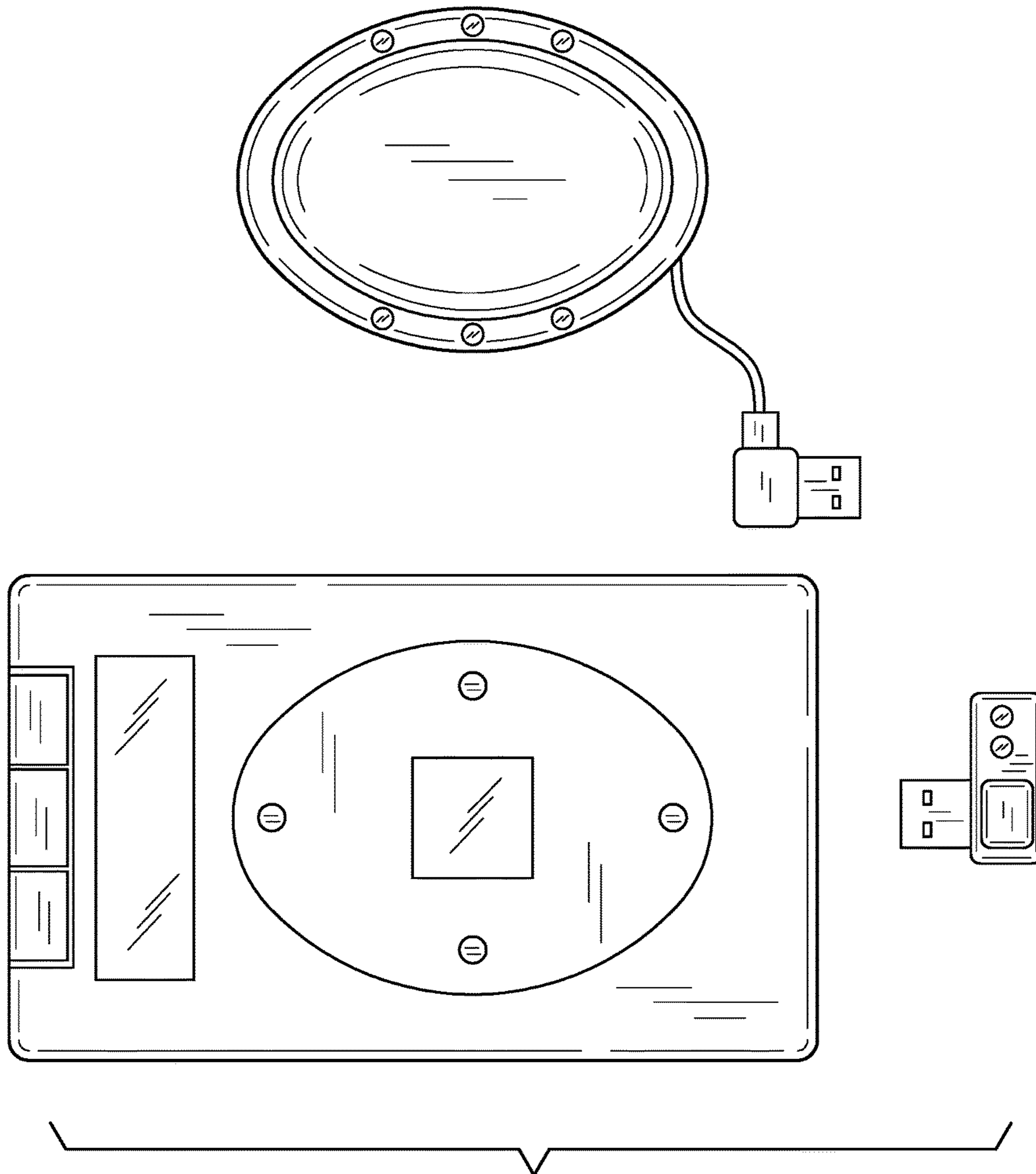


FIG. 1

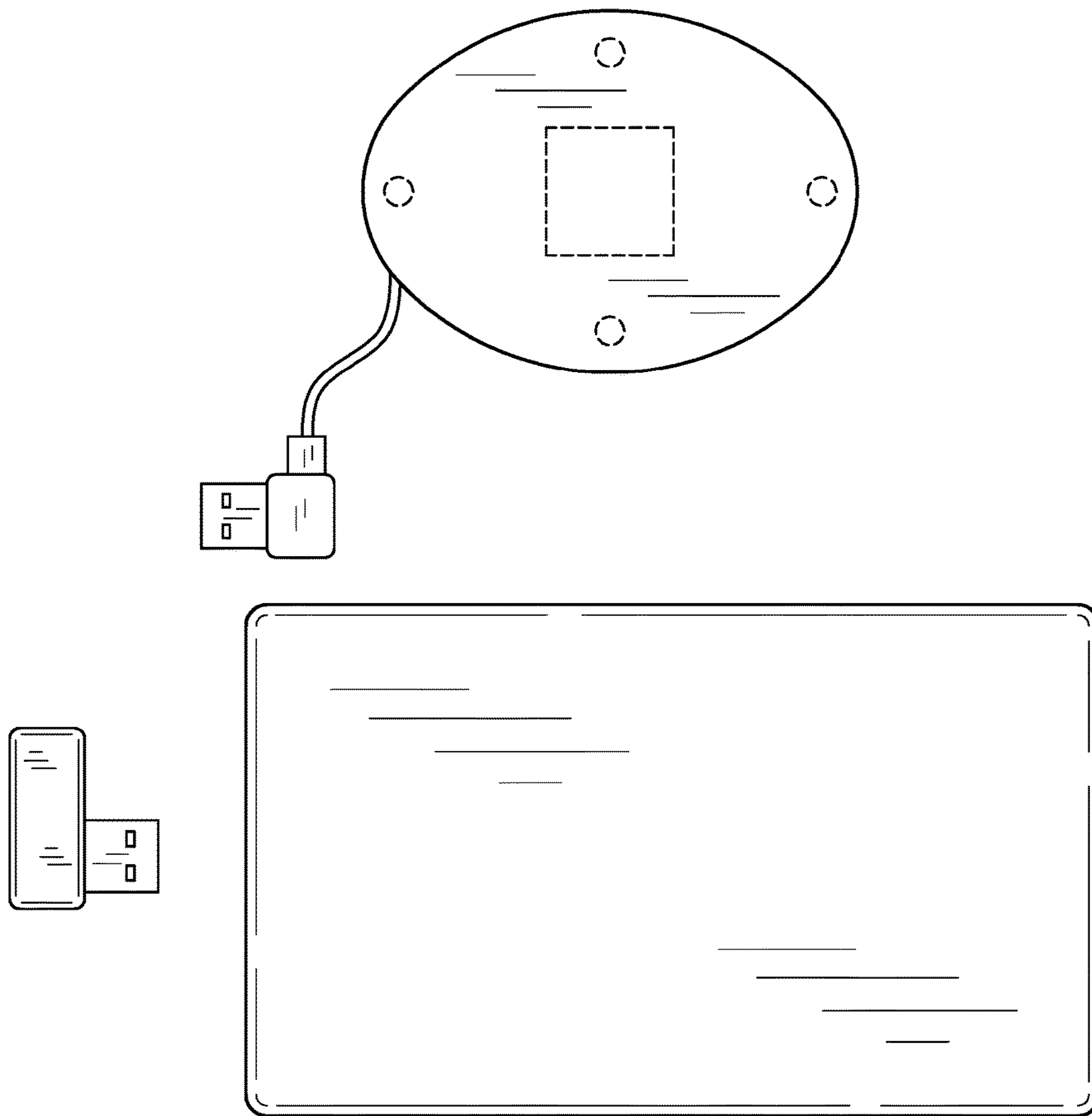


FIG. 2

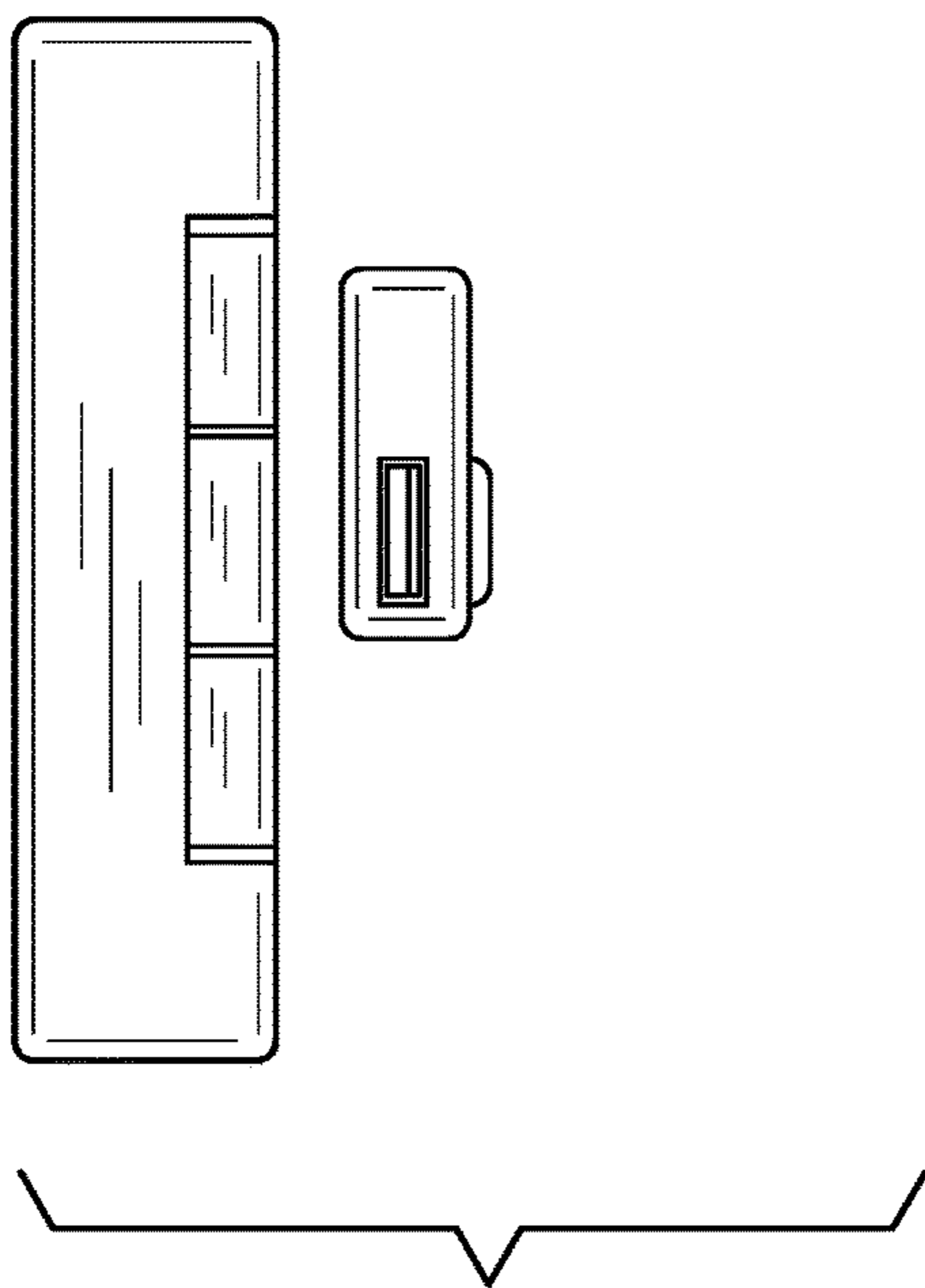
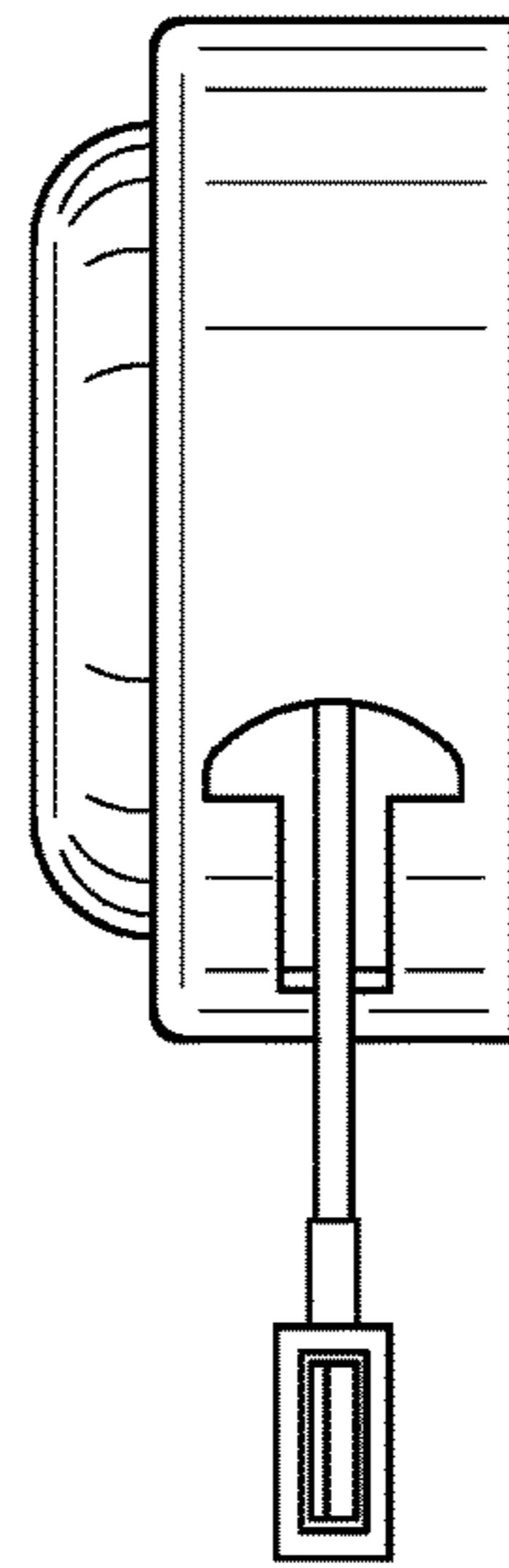
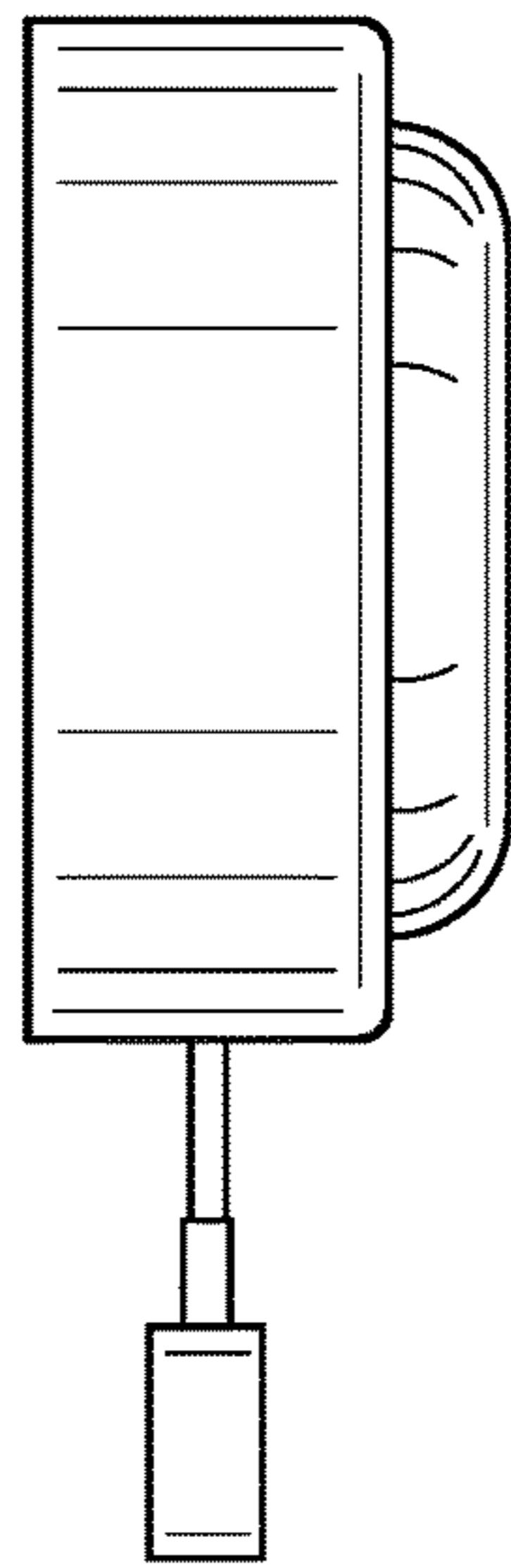


FIG. 3

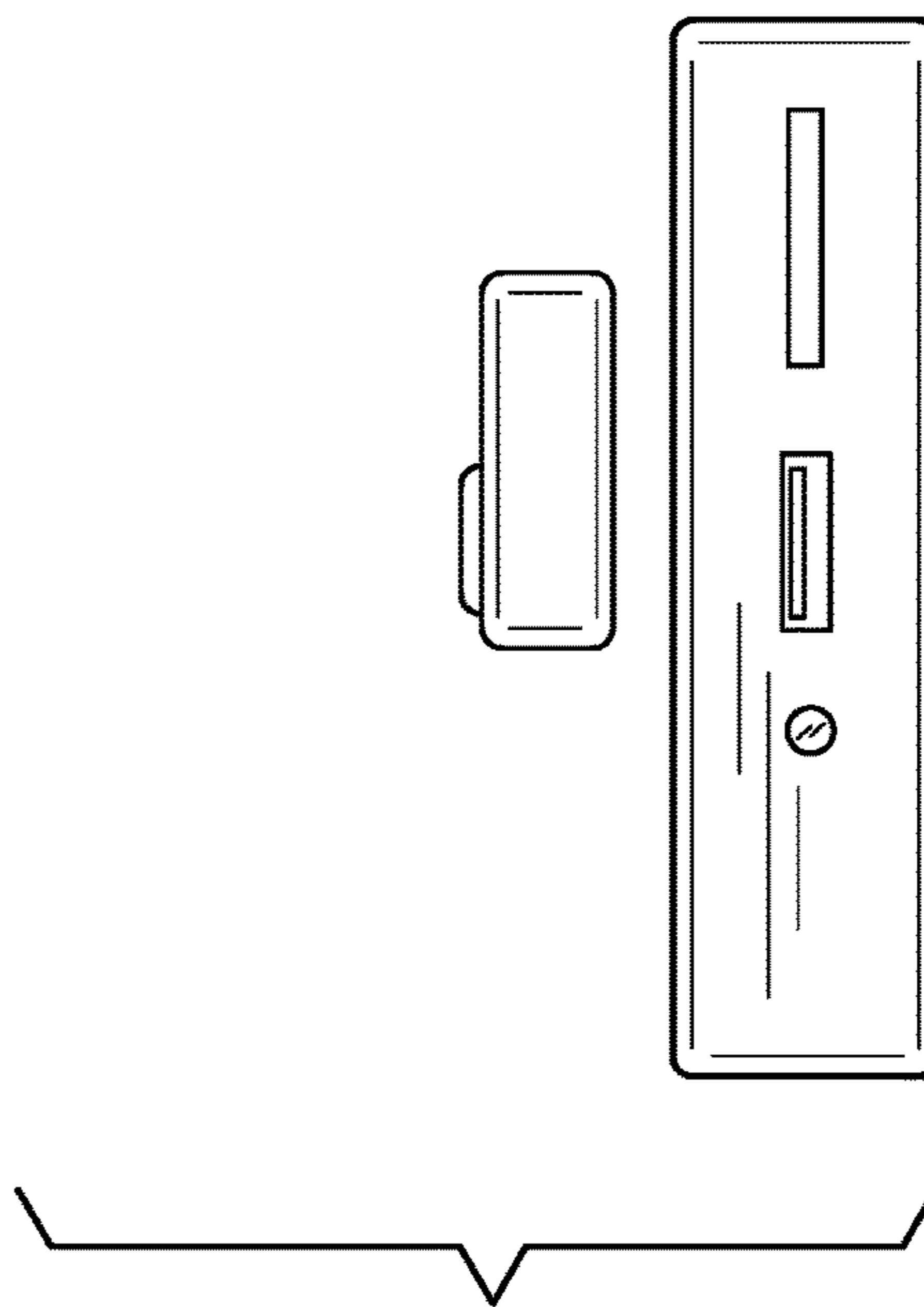


FIG. 4

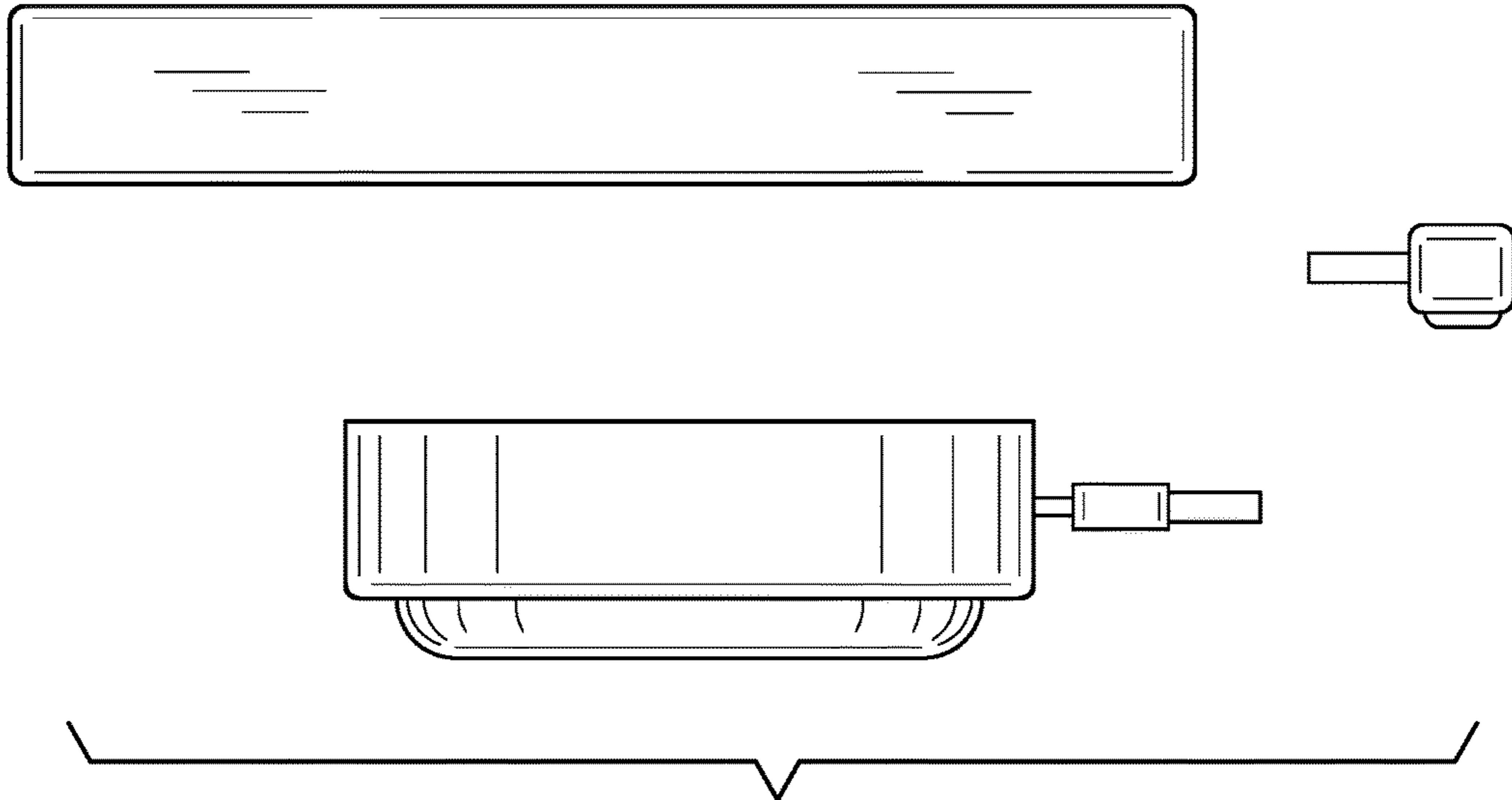


FIG. 5

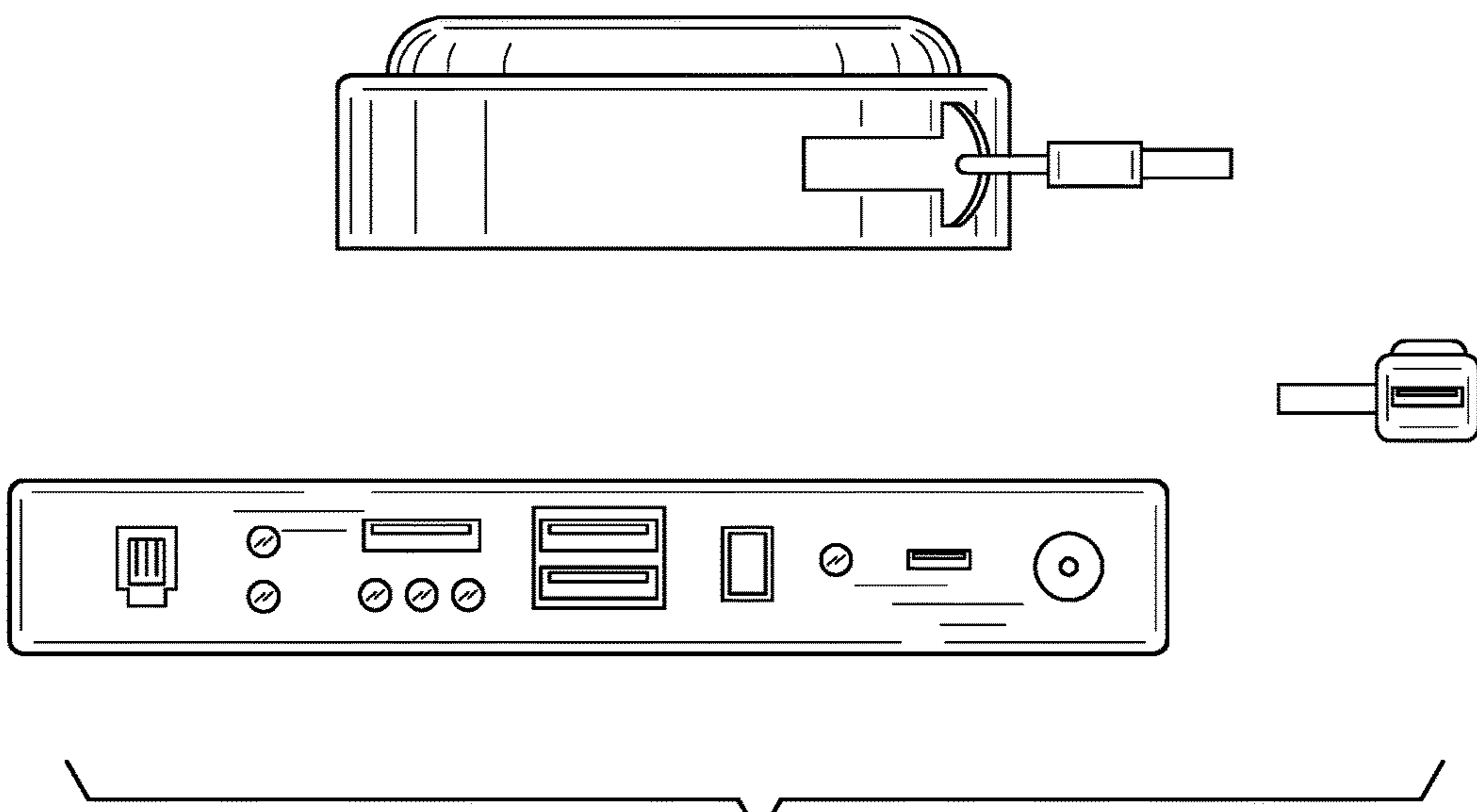


FIG. 6

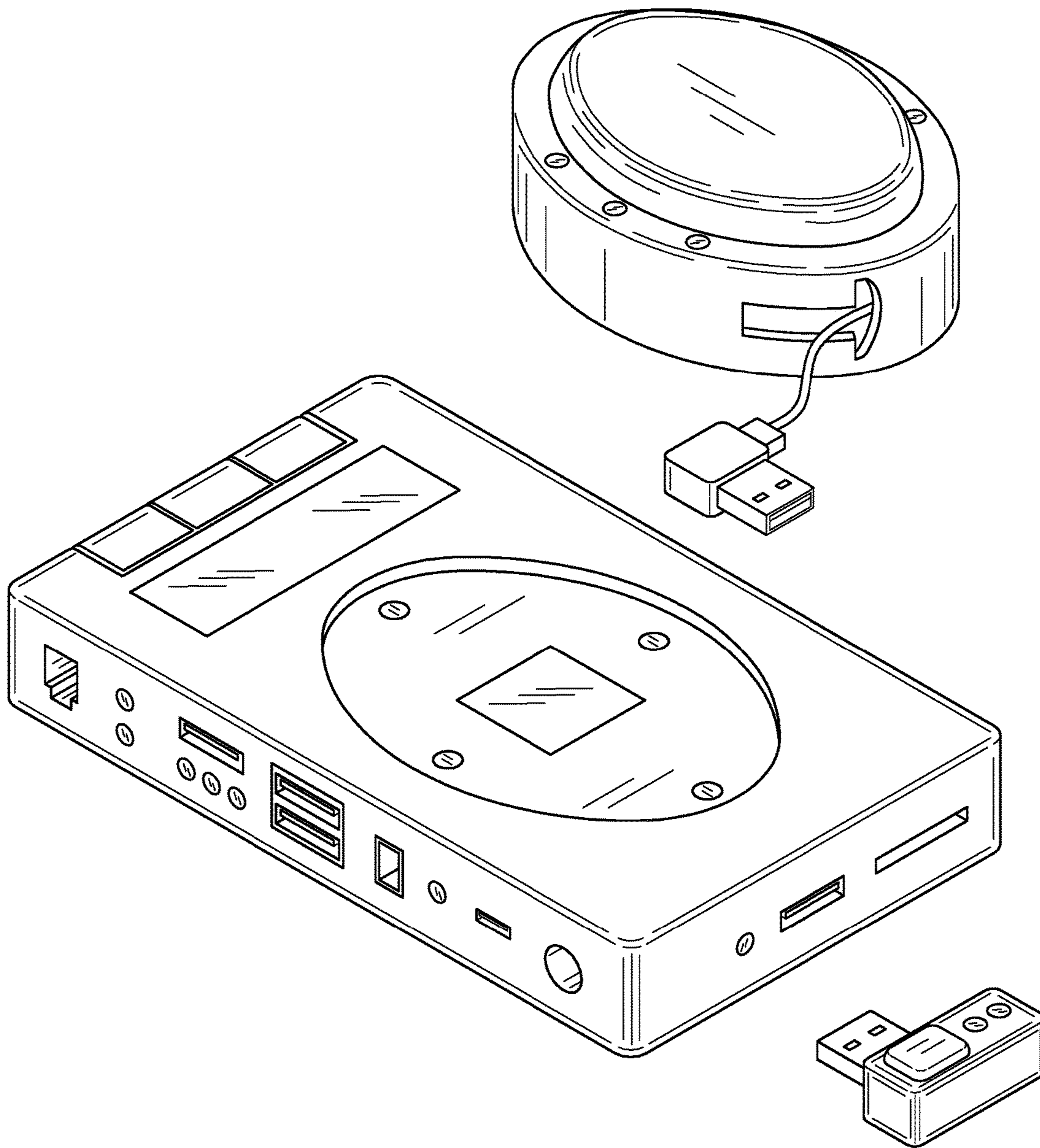


FIG. 7