



US00D829713S

(12) **United States Design Patent**  
**Komulainen**

(10) **Patent No.:** **US D829,713 S**

(45) **Date of Patent:** **\*\* Oct. 2, 2018**

(54) **PERSONAL LIFESTYLE MONITORING AND MANAGEMENT DEVICE**

(71) Applicant: **Polar Electro Oy**, Kempele (FI)

(72) Inventor: **Olli Komulainen**, Oulu (FI)

(73) Assignee: **Polar Electro Oy**, Kempele (FI)

(\*\*) Term: **15 Years**

(21) Appl. No.: **29/552,796**

(22) Filed: **Jan. 26, 2016**

(51) **LOC (11) Cl.** ..... **14-02**

(52) **U.S. Cl.**  
USPC ..... **D14/344**

(58) **Field of Classification Search**  
USPC ..... D14/344, 138 R, 144, 358; D2/623, 626, D2/639, 878; D8/88, 356; D10/30-39, D10/70, 98; D11/3, 87, 93-94, 200, 201, D11/210, 216, 218, 221, 230-231; D24/167, 169, 186-187  
CPC ..... G06F 1/163; G06F 1/1628; G06F 1/1626; G06F 1/1635; G06F 1/08; G06F 1/10; G06F 1/04; G06F 1/14; G06F 1/3203; A41D 1/002; H04M 1/02; H04M 1/03; H04M 1/04; H04M 1/05; H04M 1/667; H04M 1/6058; Y02B 60/1217; H04B 1/385; H04B 1/3888; H04B 1/3833; A44C 5/00

See application file for complete search history.

(56) **References Cited**

**U.S. PATENT DOCUMENTS**

D637,094 S *	5/2011	Cobbett	.....	D10/32
D660,726 S *	5/2012	Register	.....	D10/38
D667,126 S *	9/2012	Cho	.....	D24/186
D711,760 S *	8/2014	Savoy	.....	D10/32
D715,668 S *	10/2014	Roush	.....	D10/70
D720,074 S *	12/2014	Suvilaakso	.....	D24/167
D724,556 S *	3/2015	Choi	.....	D10/32

D727,759 S *	4/2015	Martinez	.....	D10/70
D728,562 S *	5/2015	Park	.....	D10/32
D730,347 S *	5/2015	Jung	.....	D14/344
D732,022 S *	6/2015	Song	.....	D14/344
D734,331 S *	7/2015	Wu	.....	D14/344
D736,652 S *	8/2015	Isaacs	.....	D10/32
D746,477 S *	12/2015	Cha	.....	D24/186
D750,622 S *	3/2016	Chen	.....	D10/38
D751,549 S *	3/2016	Park	.....	D10/38
D759,516 S *	6/2016	Ling	.....	D10/30
D759,826 S *	6/2016	Martinez	.....	D24/187
D768,858 S *	10/2016	Komulainen	.....	D24/167

\* cited by examiner

*Primary Examiner* — Barbara Fox

*Assistant Examiner* — Kristin E Reed

(74) *Attorney, Agent, or Firm* — FisherBroyles, LLP

(57) **CLAIM**

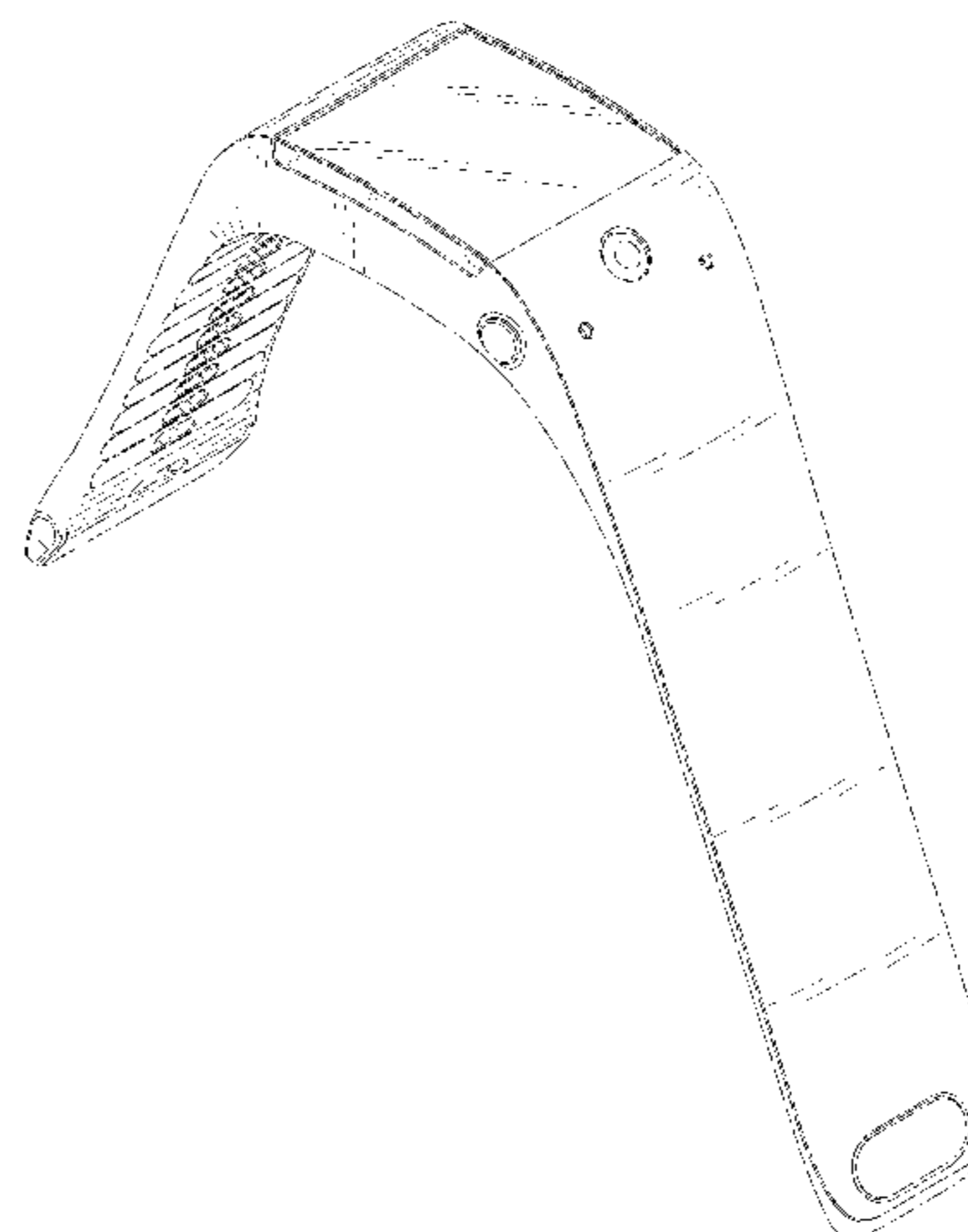
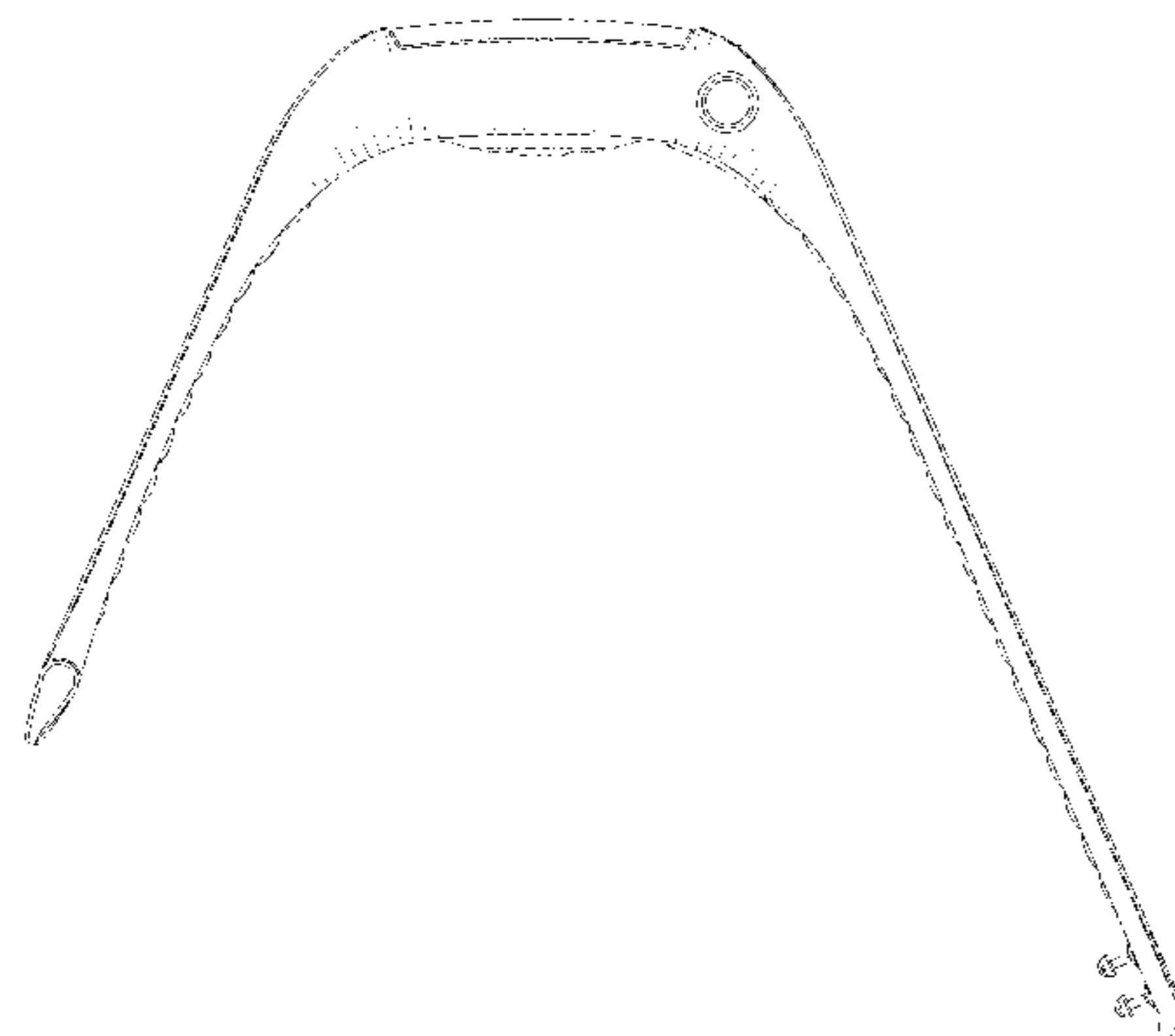
The ornamental design for a personal lifestyle monitoring and management device, as shown and described.

**DESCRIPTION**

FIG. 1 is a first left isometric view of the personal lifestyle monitoring and management device;  
 FIG. 2 is a left-side view of the personal lifestyle monitoring and management device;  
 FIG. 3 is a second left isometric view of the personal lifestyle monitoring and management device;  
 FIG. 4 is a first right isometric view of the personal lifestyle monitoring and management device;  
 FIG. 5 is a second right isometric view of the personal lifestyle monitoring and management device;  
 FIG. 6 is a front view of the personal lifestyle monitoring and management device; and,  
 FIG. 7 is a rear view of the personal lifestyle monitoring and management device.

The broken lines shown in the drawings illustrate portions of the personal lifestyle monitoring and management device that form no part of the claimed design.

**1 Claim, 7 Drawing Sheets**



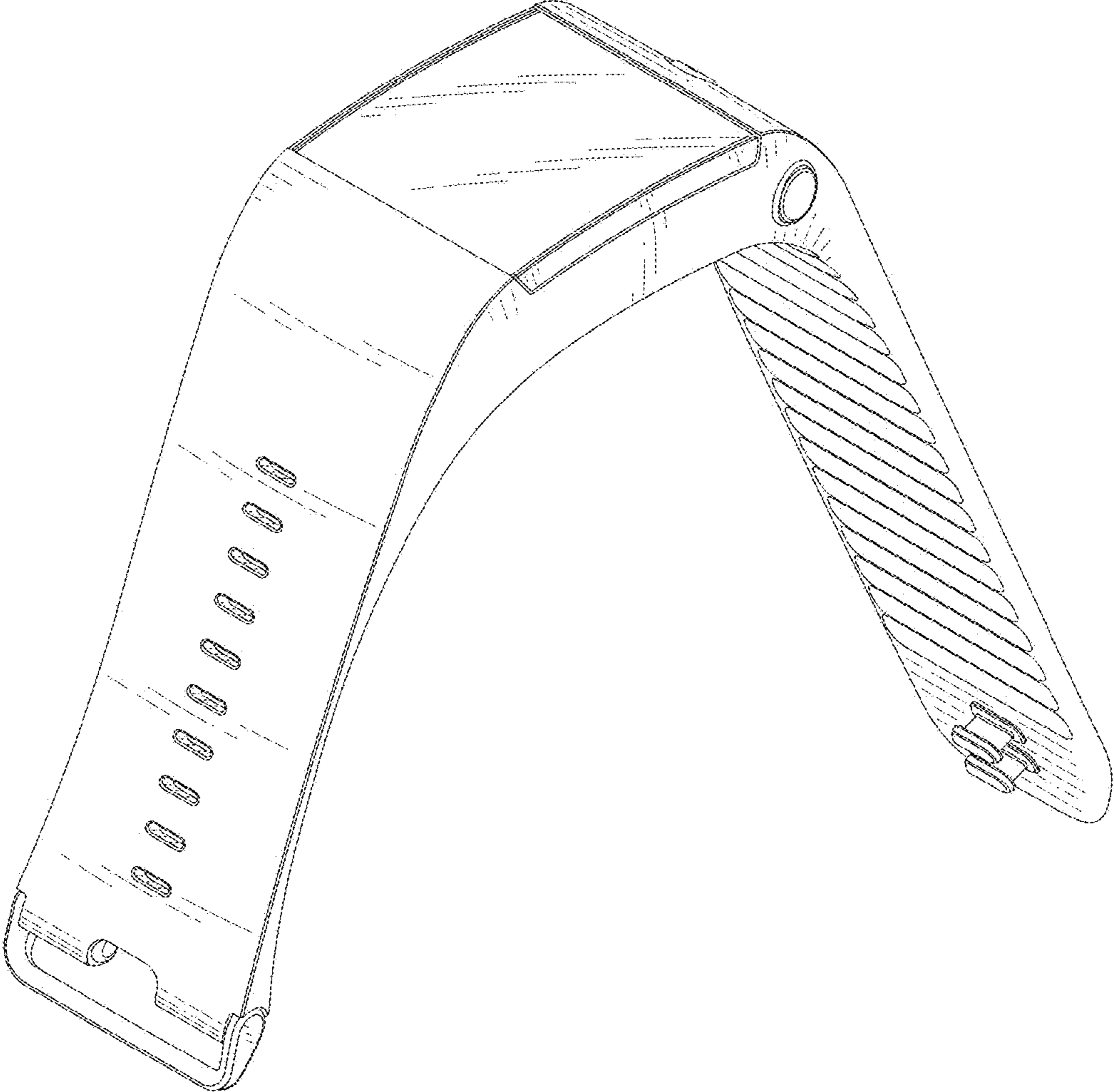


FIG. 1

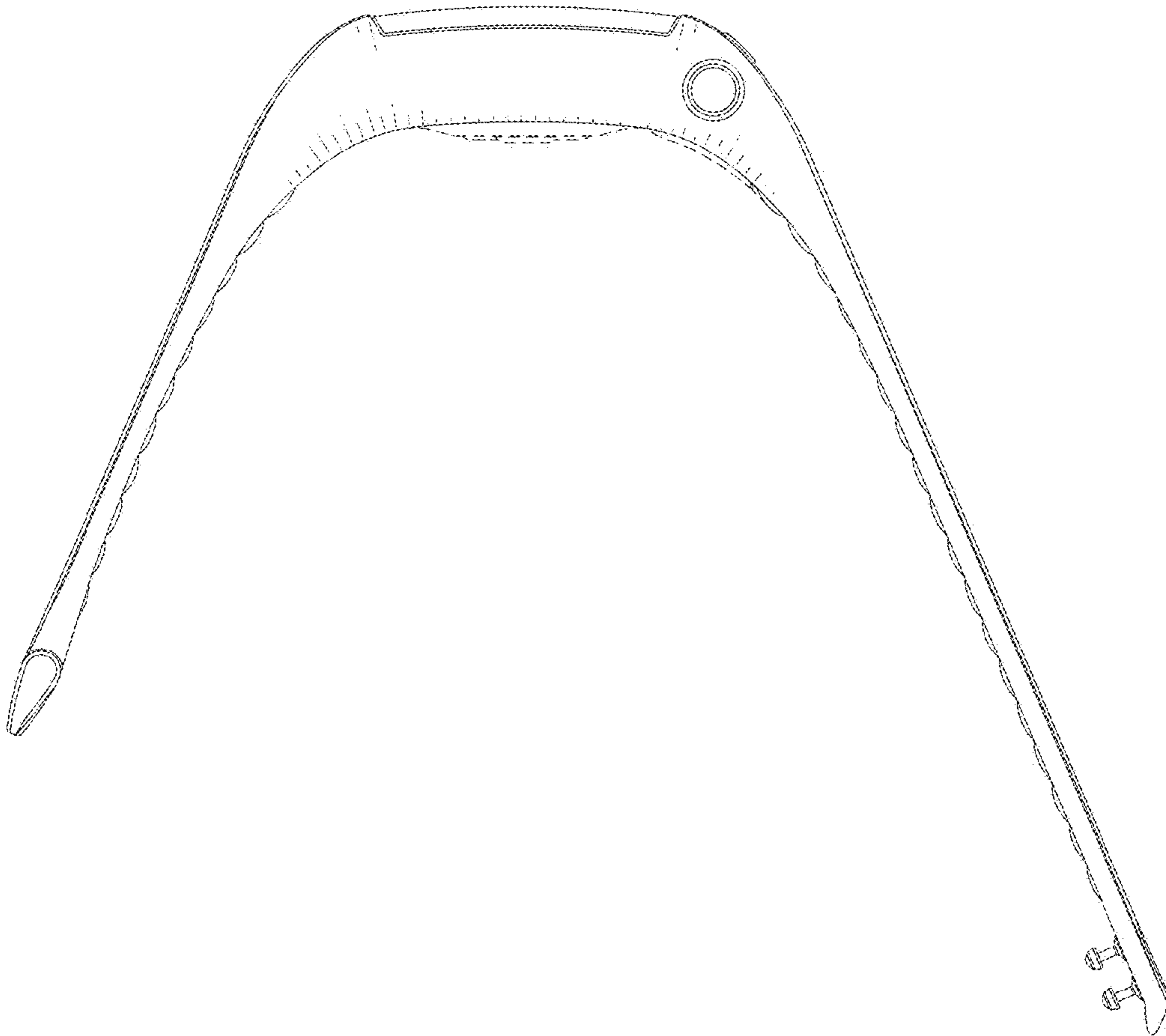


FIG. 2

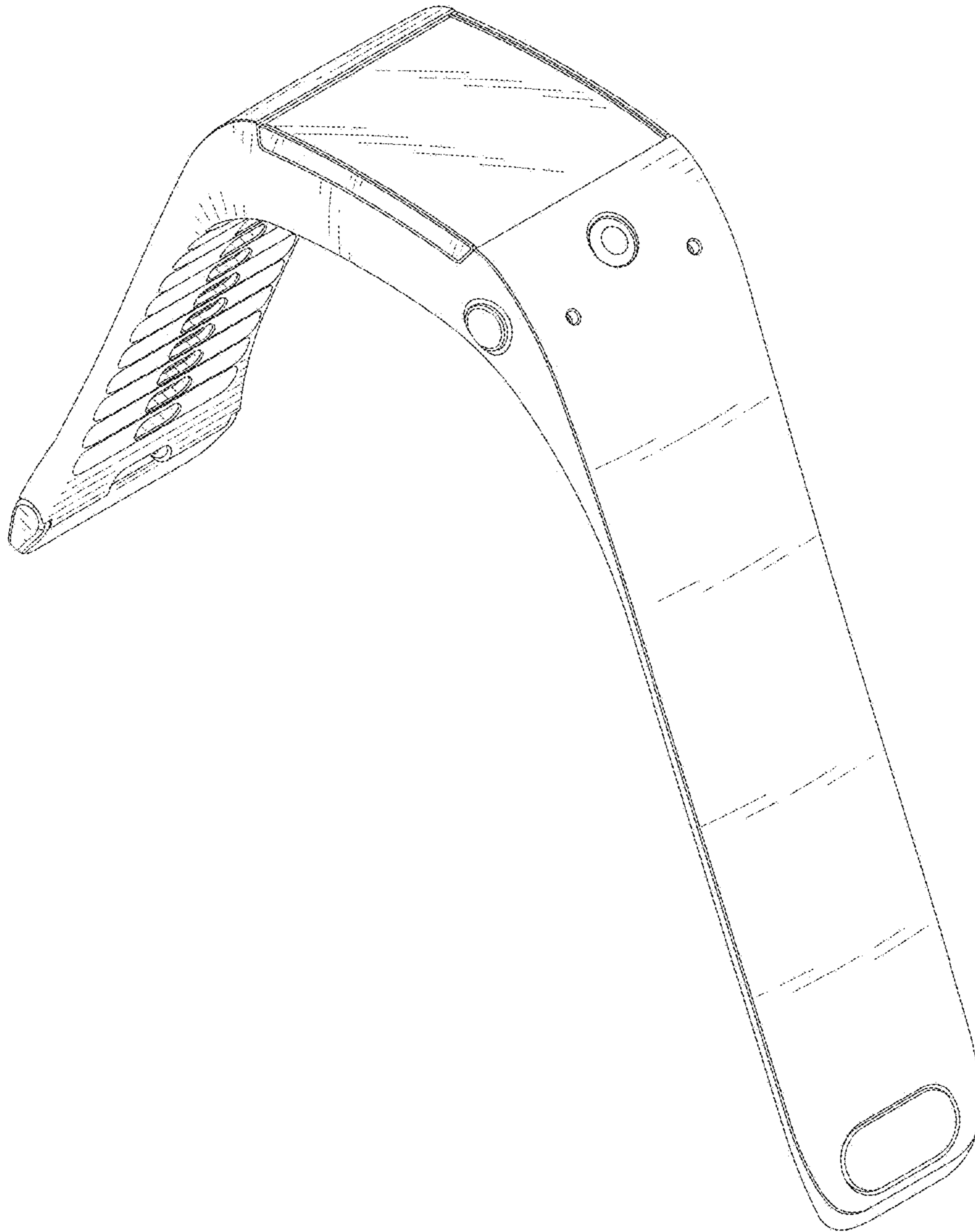


FIG. 3

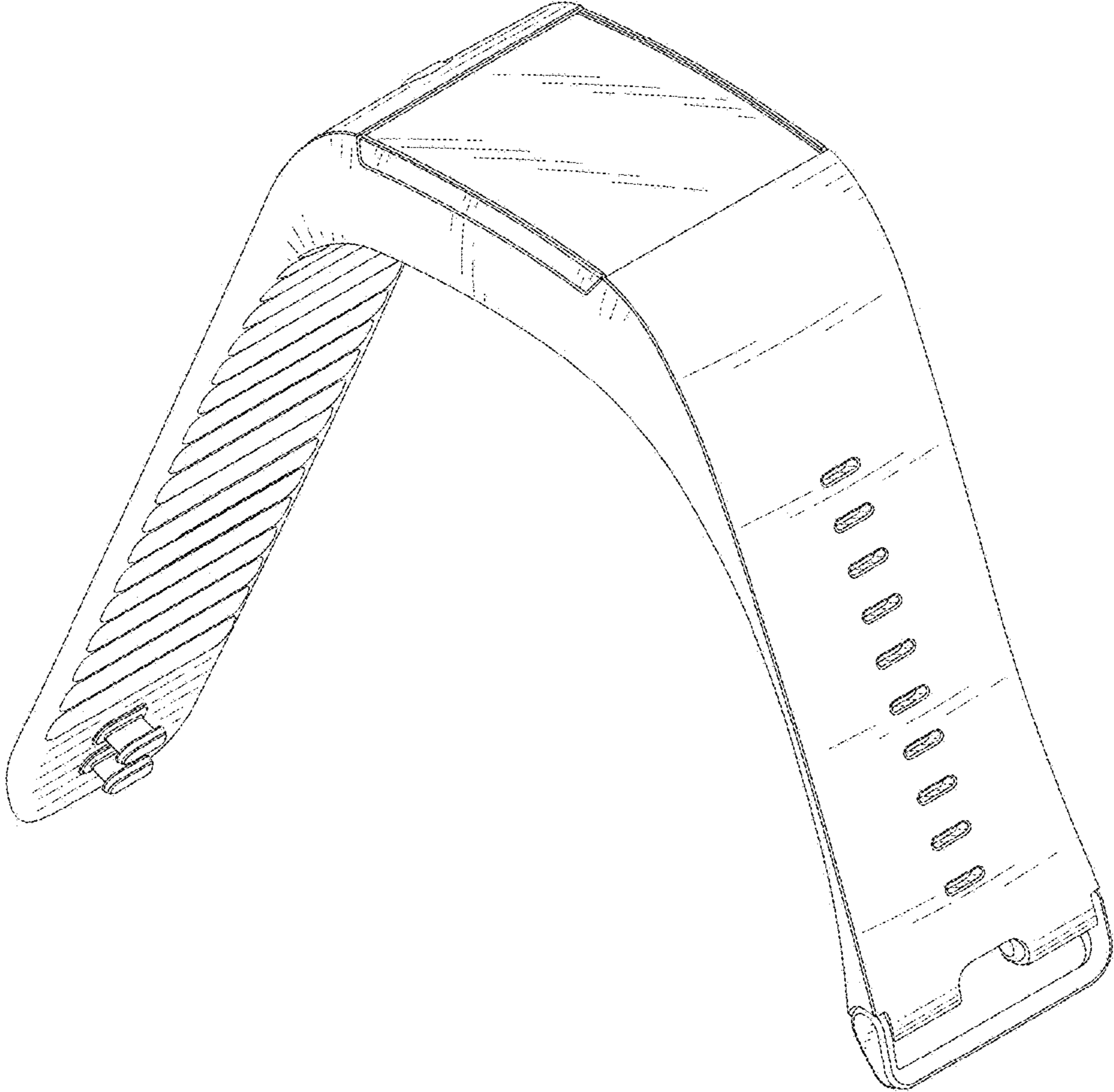


FIG. 4

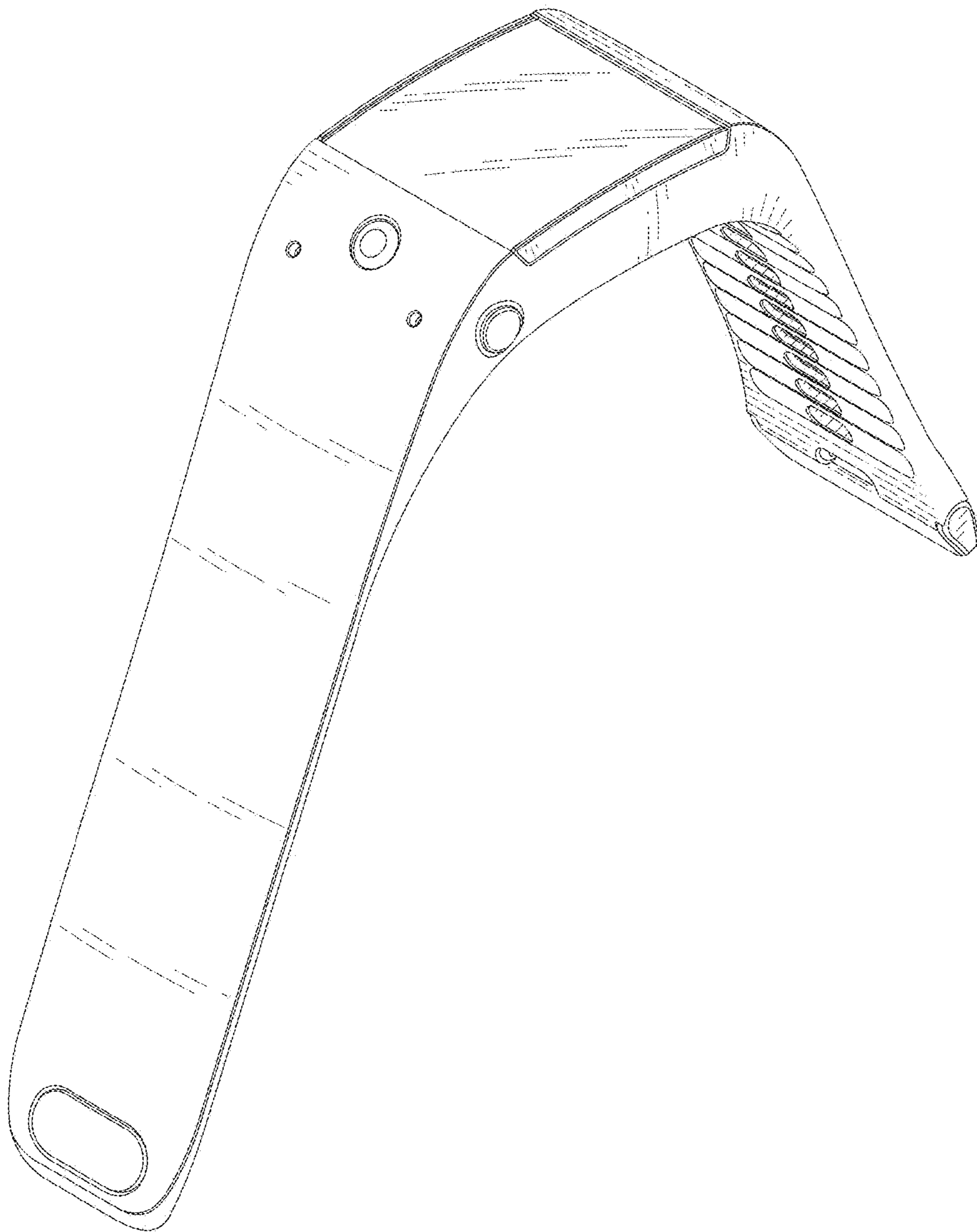


FIG. 5

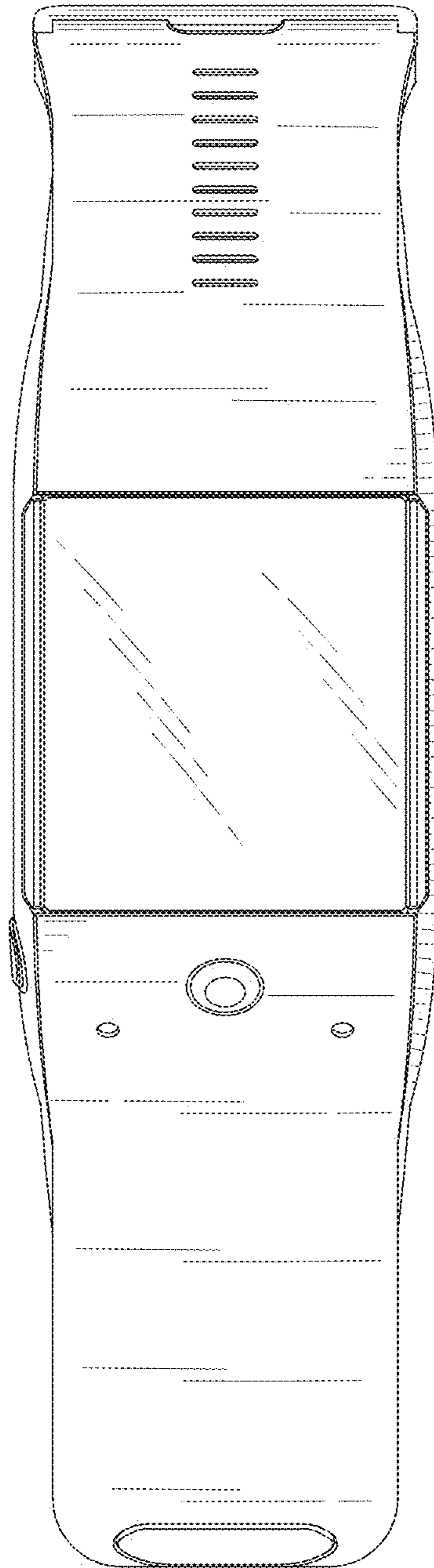


FIG. 6

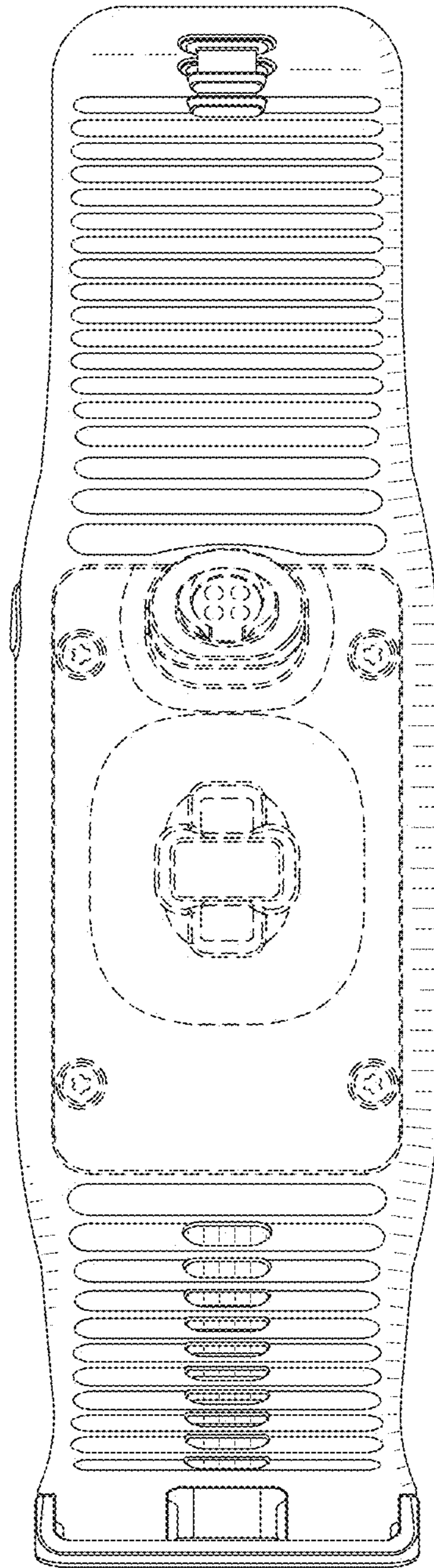


FIG. 7