



US00D829711S

(12) **United States Design Patent** (10) **Patent No.:** **US D829,711 S**
Akana et al. (45) **Date of Patent:** **** Oct. 2, 2018**

(54) **ELECTRONIC DEVICE**

(71) Applicant: **Apple Inc.**, Cupertino, CA (US)

(72) Inventors: **Jody Akana**, San Francisco, CA (US); **Bartley K. Andre**, Palo Alto, CA (US); **Jeremy Bataillou**, San Francisco, CA (US); **Daniel J. Coster**, San Francisco, CA (US); **Daniele De Iuliis**, San Francisco, CA (US); **M. Evans Hankey**, San Francisco, CA (US); **Julian Hoenig**, San Francisco, CA (US); **Richard P. Howarth**, San Francisco, CA (US); **Jonathan P. Ive**, San Francisco, CA (US); **Duncan Robert Kerr**, San Francisco, CA (US); **Shin Nishibori**, Kailua, HI (US); **Matthew Dean Rohrbach**, San Francisco, CA (US); **Peter Russell-Clarke**, San Francisco, CA (US); **Christopher J. Stringer**, Woodside, CA (US); **Eugene Antony Whang**, San Francisco, CA (US); **Rico Zörkendörfer**, San Francisco, CA (US)

(73) Assignee: **Apple Inc.**, Cupertino, CA (US)

(**) Term: **15 Years**

(21) Appl. No.: **29/605,839**

(22) Filed: **May 31, 2017**

Related U.S. Application Data

(60) Continuation of application No. 29/554,646, filed on Feb. 12, 2016, now Pat. No. Des. 791,763, which is (Continued)

(51) **LOC (11) Cl.** **14-02**

(52) **U.S. Cl.**
USPC **D14/336**

(58) **Field of Classification Search**

USPC D14/371-375, 125-129, 336, 337; D6/300, 308; D19/113, 114; D20/10 (Continued)

(56) **References Cited**

U.S. PATENT DOCUMENTS

D434,763 S 12/2000 Jobs et al.
D456,023 S 4/2002 Andre et al.
(Continued)

OTHER PUBLICATIONS

U.S. Appl. No. 29/455,071 of Jody Akana et al. titled "Electronic Device," filed May 16, 2013 (unpublished).

Primary Examiner — Freda S Nunn

(74) *Attorney, Agent, or Firm* — Saidman DesignLaw Group, LLC

(57) **CLAIM**

The ornamental design for an electronic device, as shown and described.

DESCRIPTION

FIG. 1 is a perspective view of an electronic device showing our new design;
FIG. 2 is a rear perspective view thereof;
FIG. 3 is another rear perspective view thereof;
FIG. 4 is a front view thereof;
FIG. 5 is a rear view thereof;
FIG. 6 is a left side view thereof;
FIG. 7 is a right side view thereof;
FIG. 8 is a top view thereof;
FIG. 9 is a bottom view thereof;
FIG. 10 is a perspective view of a second embodiment thereof;
FIG. 11 is a rear perspective view thereof;
FIG. 12 is another rear perspective view thereof;
FIG. 13 is a front view thereof;
FIG. 14 is a rear view thereof;

(Continued)

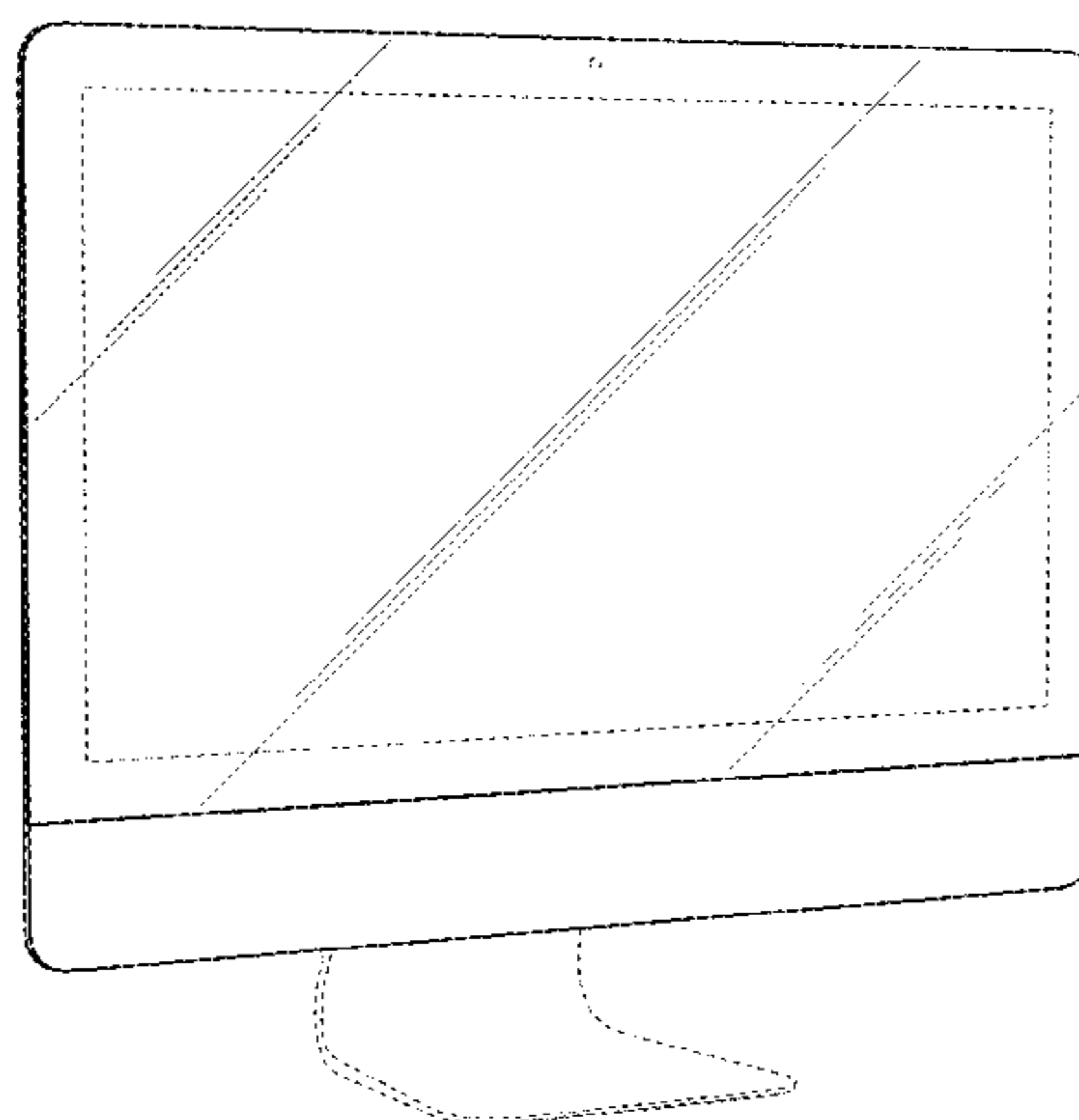


FIG. 15 is a left side view thereof;
 FIG. 16 is a right side view thereof;
 FIG. 17 is a top view thereof; and,
 FIG. 18 is a bottom view thereof.
 The broken lines illustrate structure or features which form no part of the claimed design.
 The relatively light shade lines on the surface portions indicate contour and not surface decoration.

1 Claim, 11 Drawing Sheets

Related U.S. Application Data

a division of application No. 29/497,123, filed on Jul. 21, 2014, now Pat. No. Des. 752,035, which is a division of application No. 29/431,443, filed on Sep. 7, 2012, now Pat. No. Des. 712,397.

(58) **Field of Classification Search**

CPC G09F 15/0025; G09F 15/0062; G09F 15/0068; G06F 1/16; G06F 1/1613; G06F 1/133308; G06F 1/1601; G06F 3/037; G06F 1/162; F16M 11/02; F16M 11/10; F16M 11/00; F16M 11/06; F16M 11/18; F16M 11/045; F16M 11/105; F16M 11/041; F16M 11/126; F16M 11/04; F16M 11/24; F16M 13/02; A47F 5/00

See application file for complete search history.

(56) **References Cited**

U.S. PATENT DOCUMENTS

D504,889 S 5/2005 Andre et al.
 D531,631 S 11/2006 Andre et al.

D532,011 S 11/2006 Andre et al.
 D541,799 S 5/2007 Andre et al.
 D556,755 S 12/2007 Lee et al.
 D564,465 S 3/2008 Onoda
 D577,694 S 9/2008 Shih et al.
 D585,034 S 1/2009 Chu
 D600,696 S 9/2009 Andre et al.
 D604,733 S 11/2009 Andre et al.
 D605,193 S 12/2009 Andre et al.
 D609,705 S 2/2010 Andre et al.
 D610,138 S 2/2010 Andre et al.
 D618,241 S 6/2010 Akana et al.
 D618,242 S 6/2010 Akana et al.
 D620,932 S 8/2010 Andre et al.
 D621,830 S 8/2010 Andre et al.
 D621,833 S 8/2010 Chang et al.
 D621,841 S 8/2010 Andre et al.
 D630,210 S 1/2011 Andre et al.
 D638,013 S 5/2011 Andre et al.
 D651,602 S 1/2012 Andre et al.
 D651,607 S 1/2012 Akana et al.
 D656,501 S 3/2012 Andre et al.
 D658,190 S 4/2012 Akana et al.
 D658,646 S 5/2012 Akana et al.
 D661,305 S 6/2012 Andre et al.
 D661,311 S 6/2012 Akana et al.
 D677,257 S 3/2013 Andre et al.
 D684,572 S 6/2013 Akana et al.
 D684,581 S 6/2013 Akana et al.
 D691,606 S 10/2013 Andre et al.
 D694,250 S 11/2013 Andre et al.
 D710,348 S 8/2014 Akana et al.
 D710,356 S 8/2014 Akana et al.
 D719,158 S 12/2014 Akana et al.
 D730,308 S 5/2015 Akana et al.
 D752,035 S 3/2016 Akana et al.
 D791,763 S * 7/2017 Akana D14/336
 2003/0058372 A1 3/2003 Williams et al.
 2009/0268108 A1 10/2009 Hamada

* cited by examiner

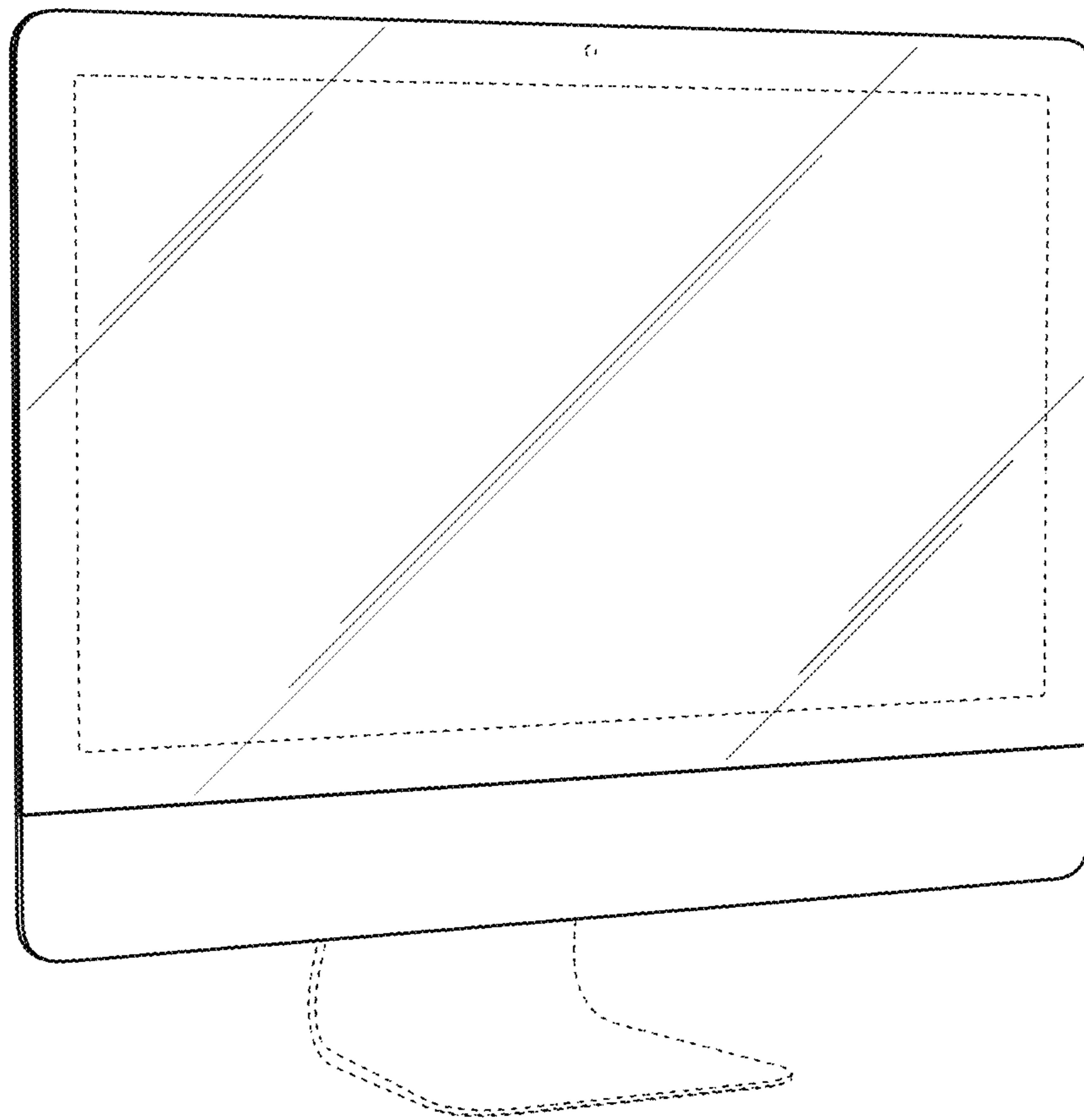


Fig. 1

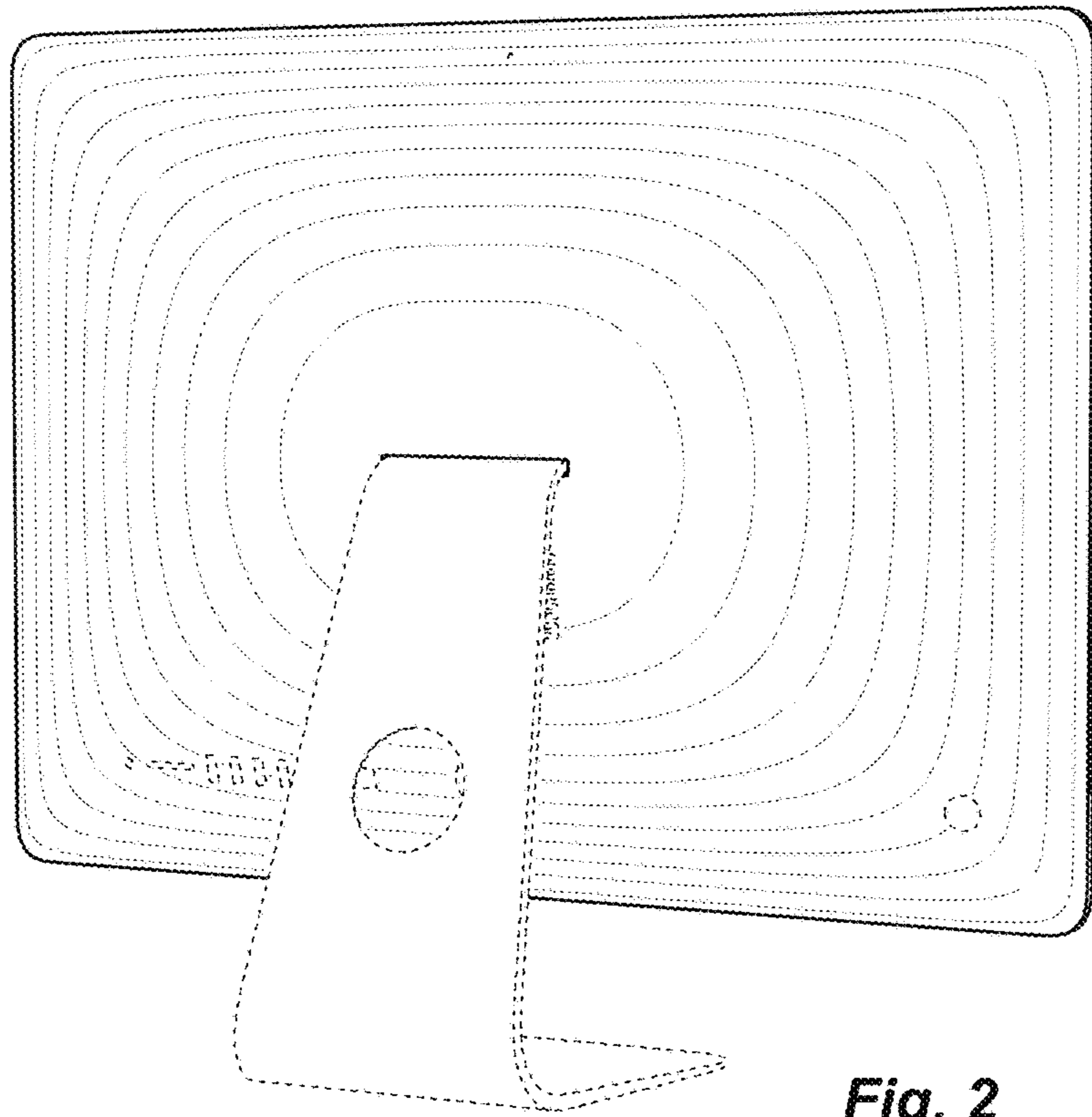


Fig. 2

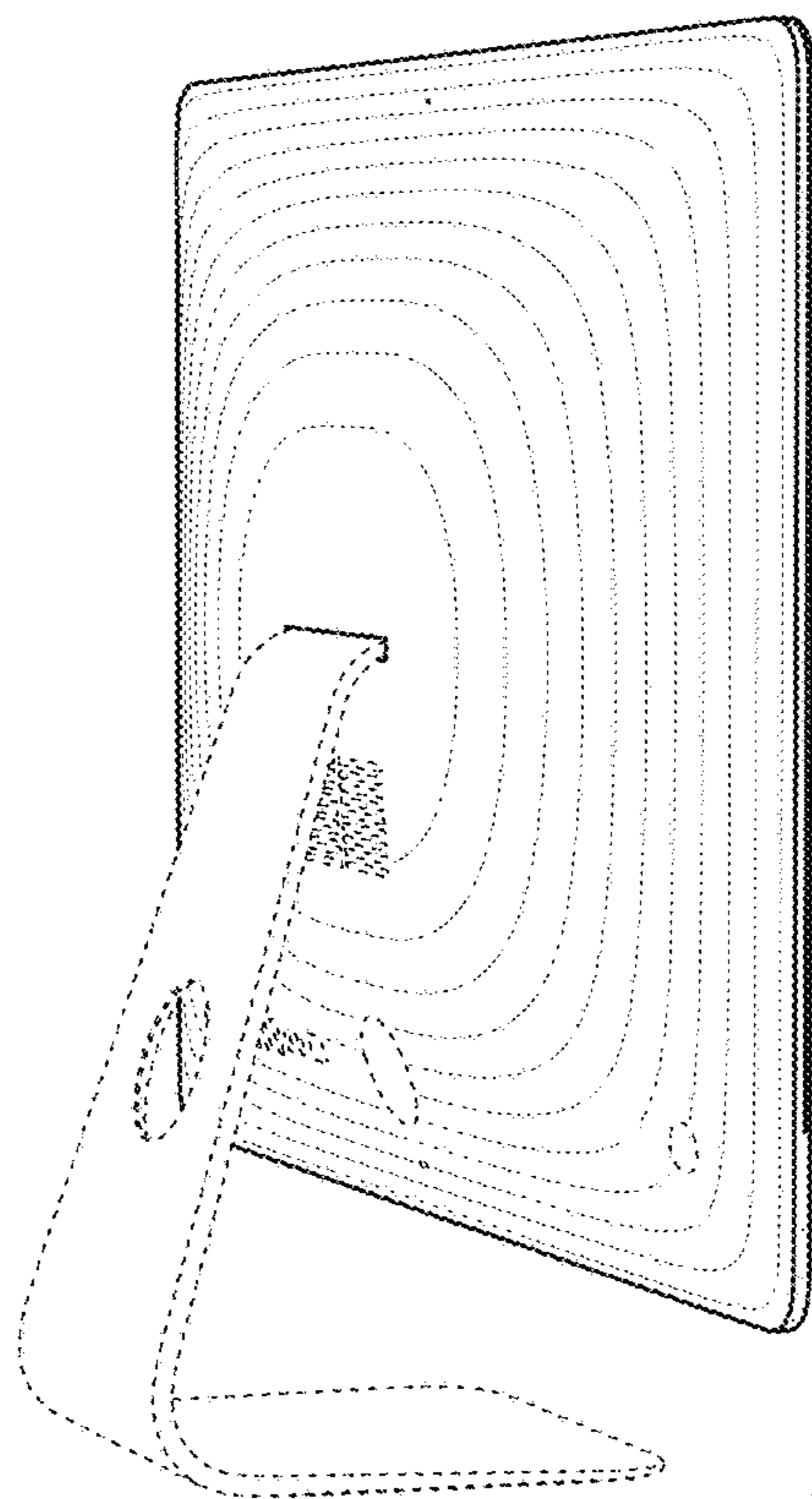


Fig. 3

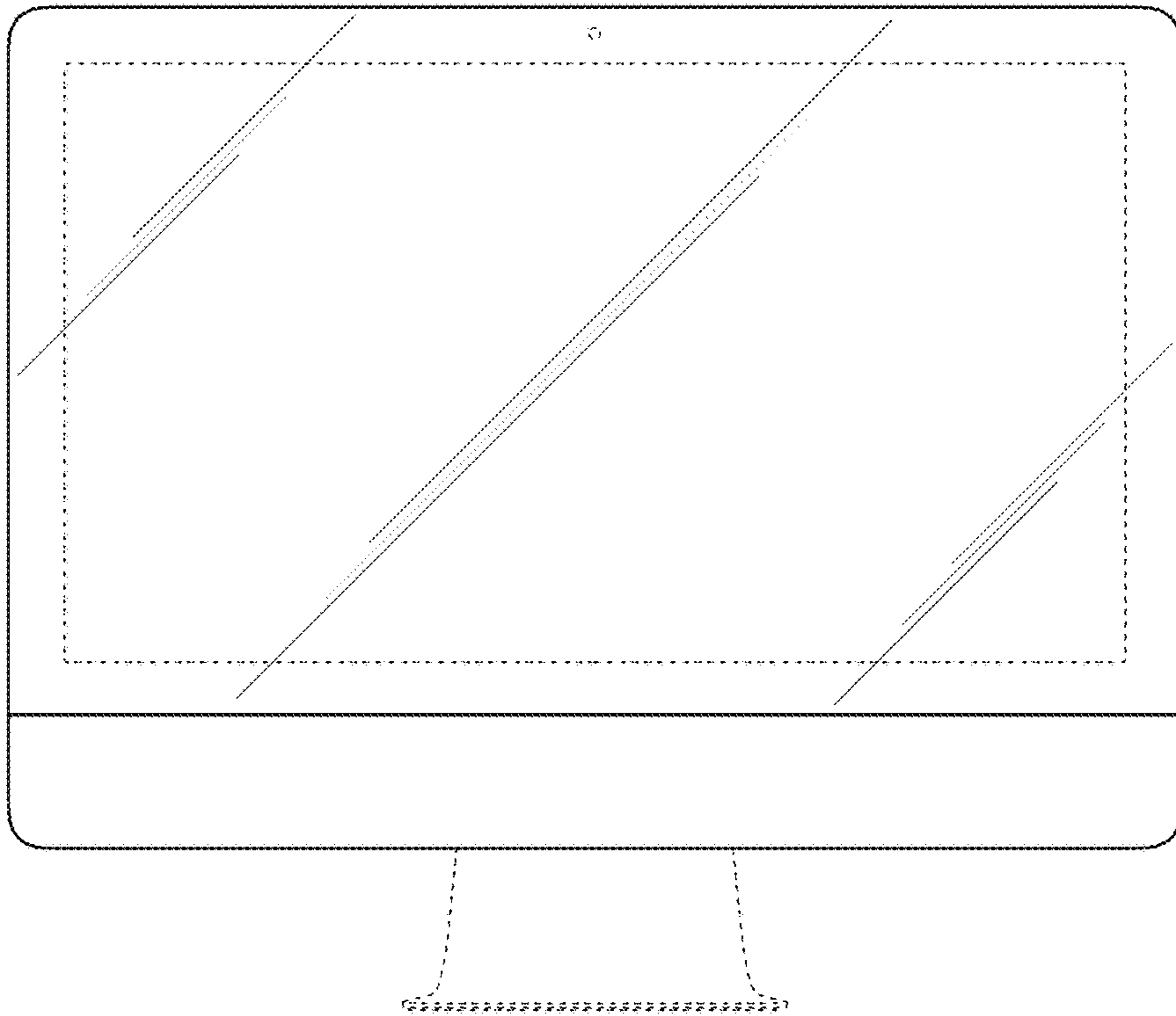


Fig. 4

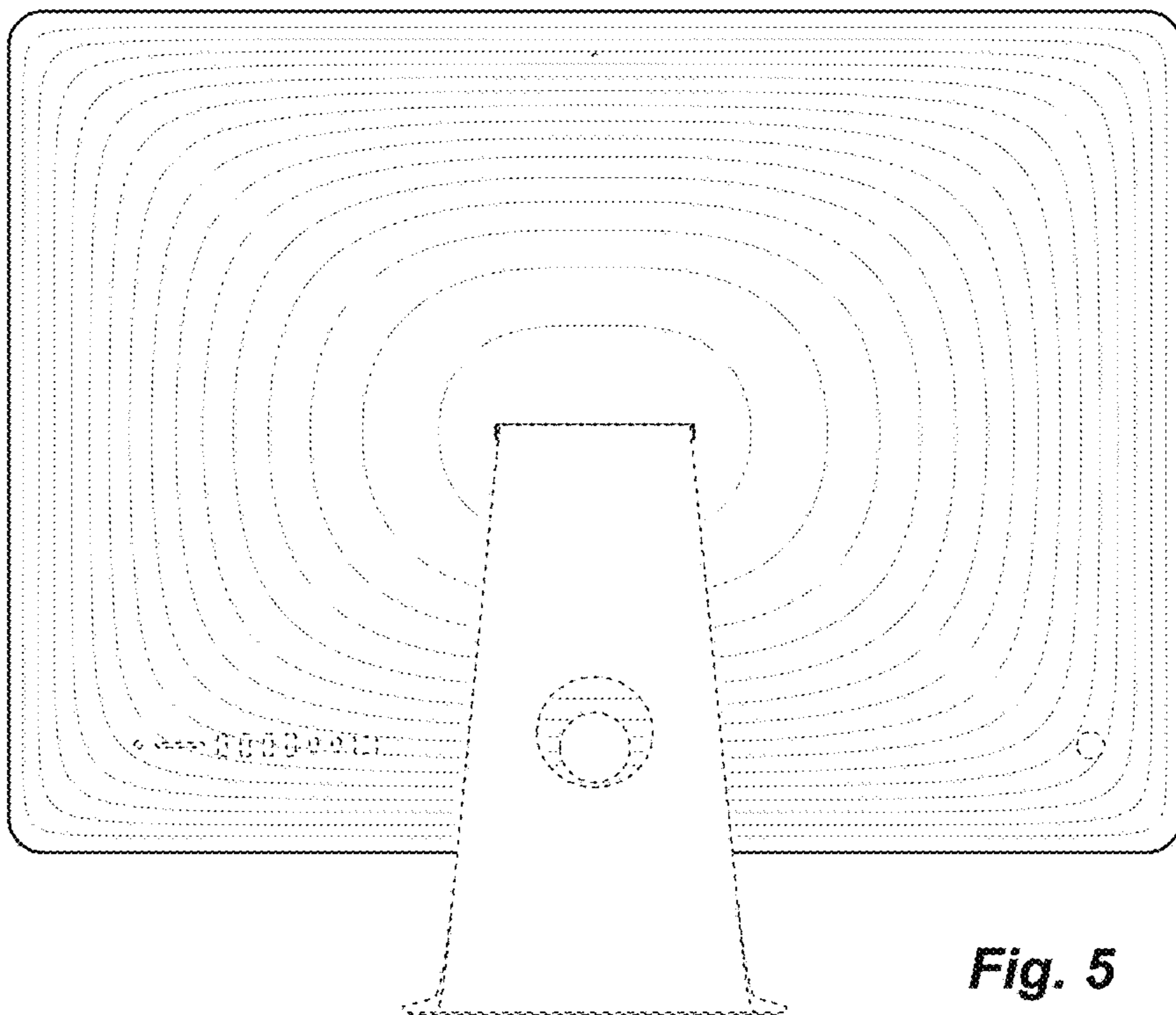


Fig. 5

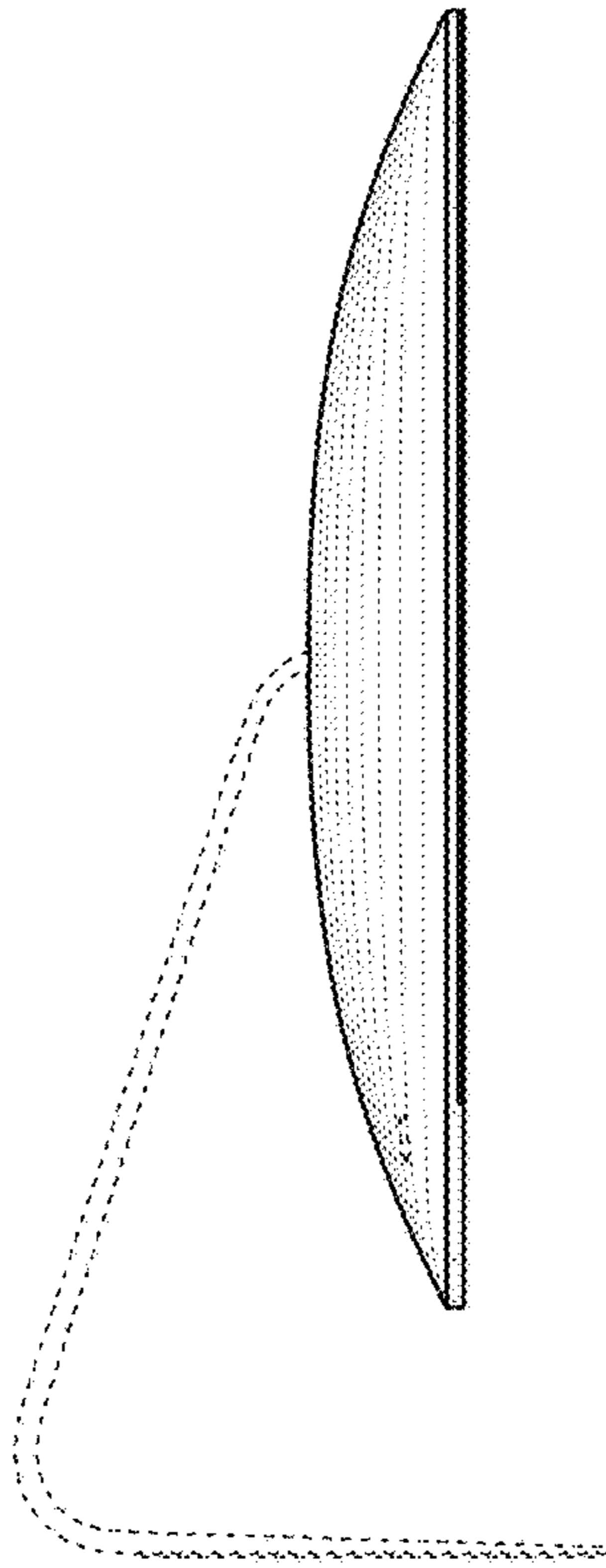


Fig. 6

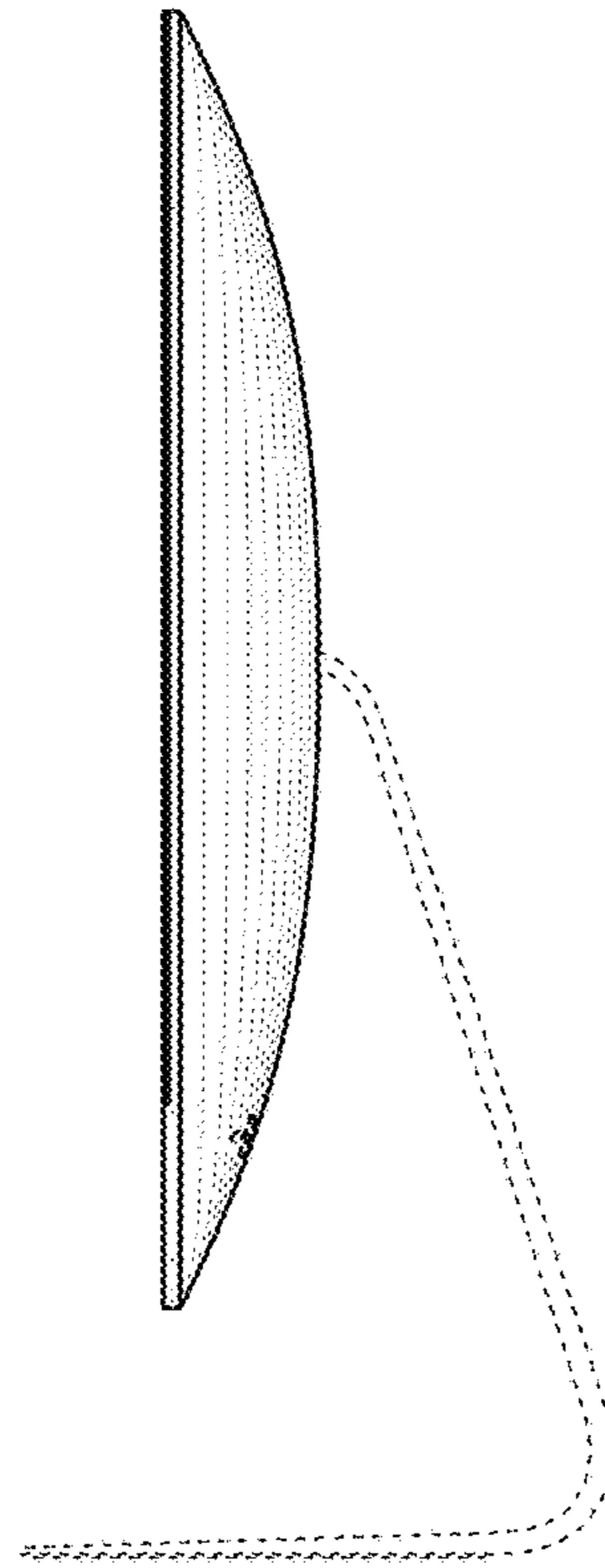


Fig. 7

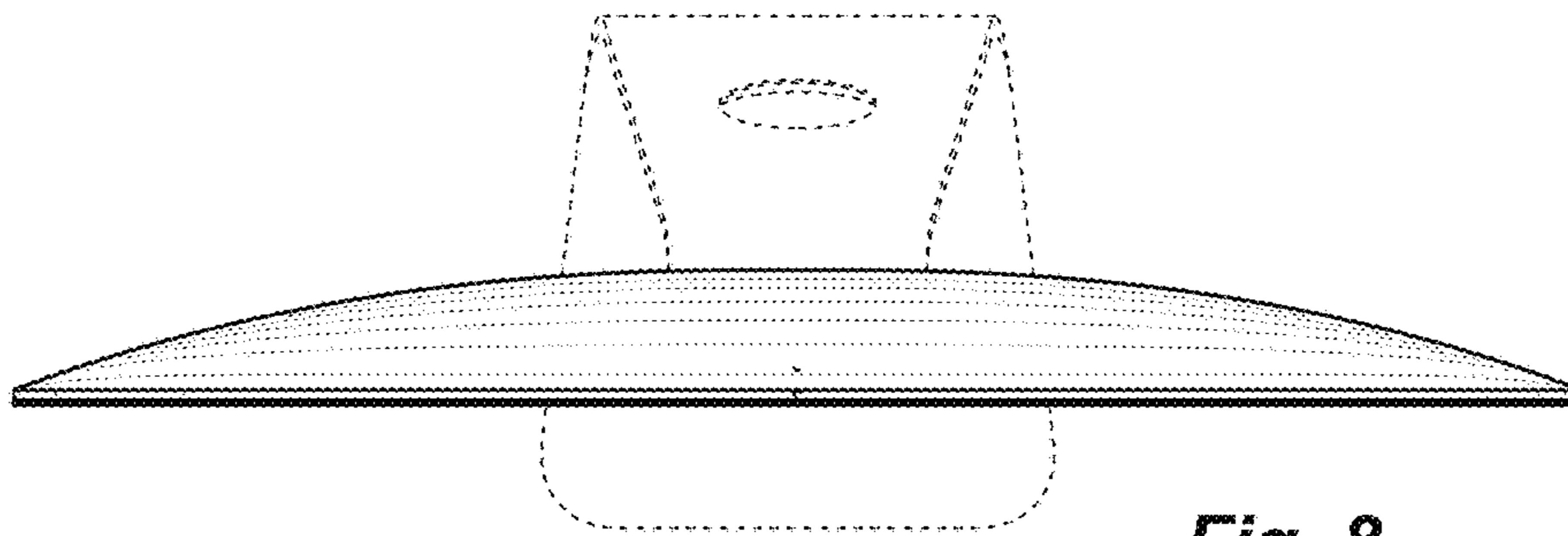


Fig. 8

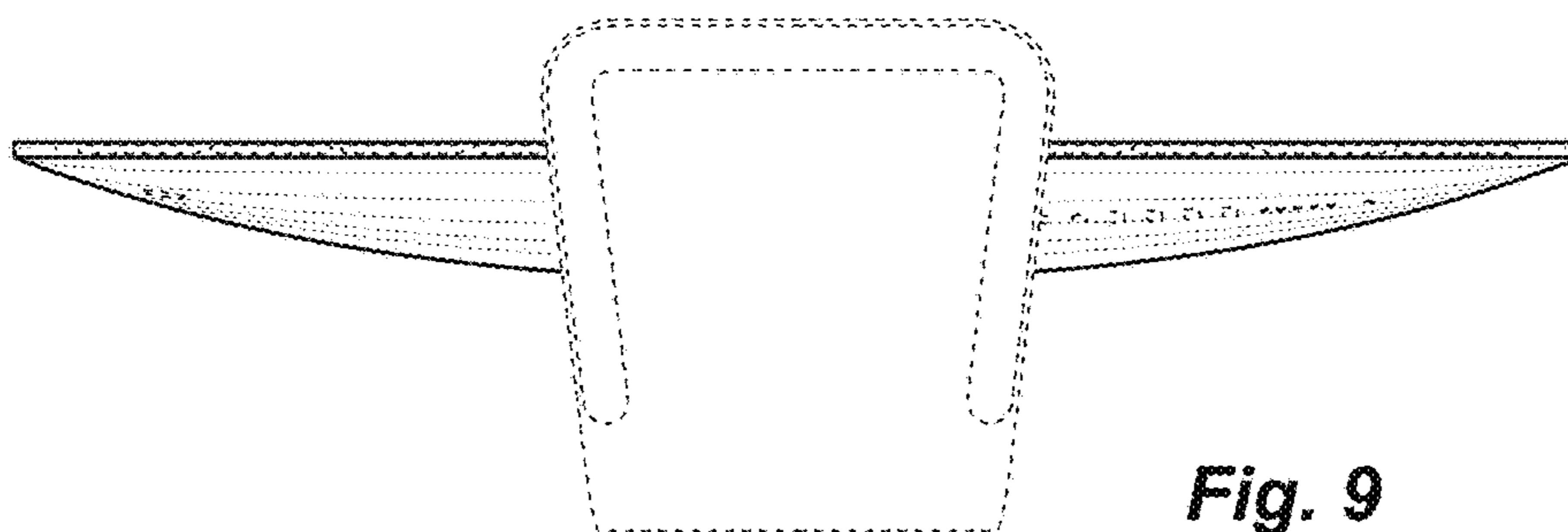


Fig. 9

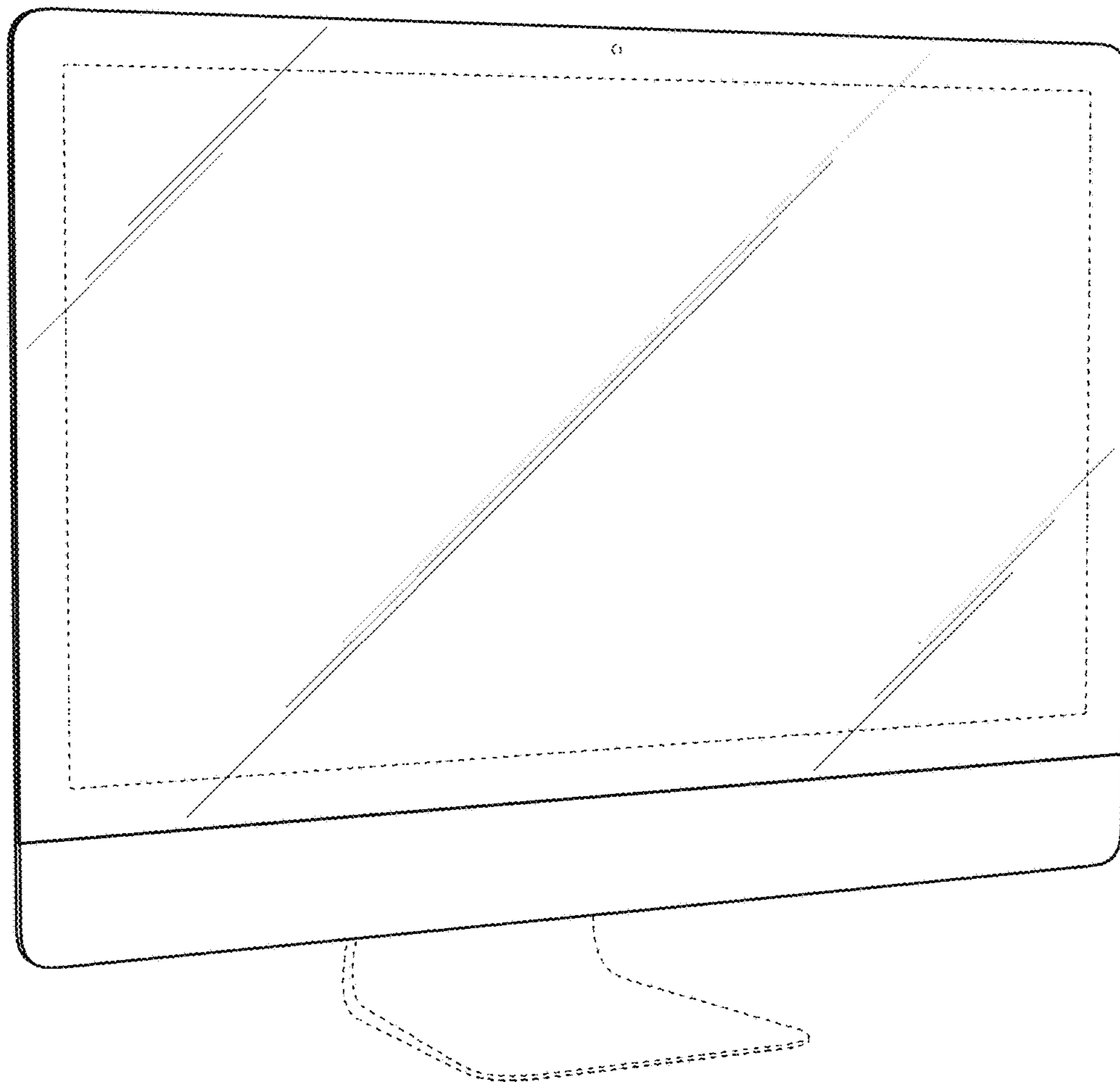


Fig. 10

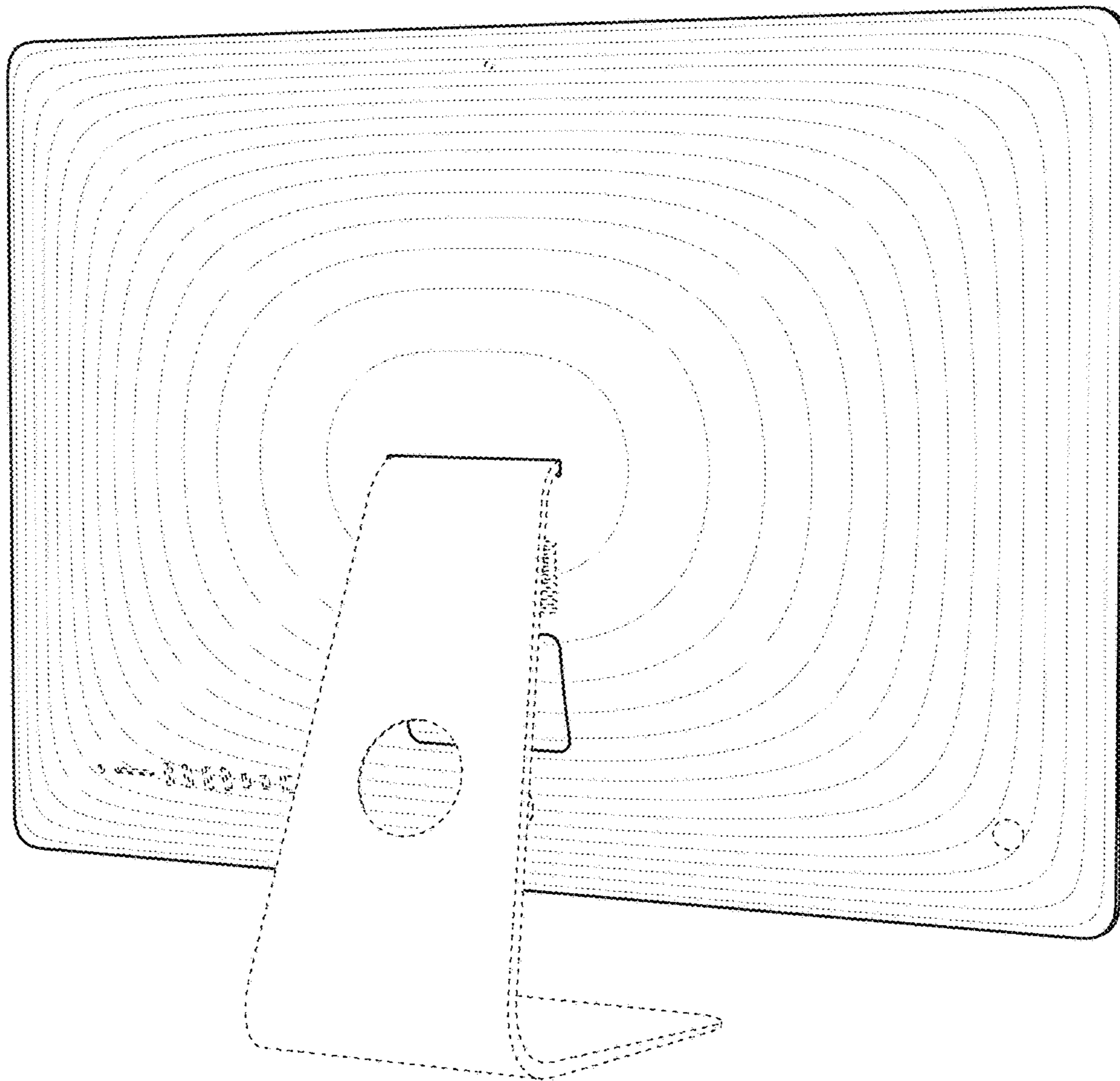


Fig. 11

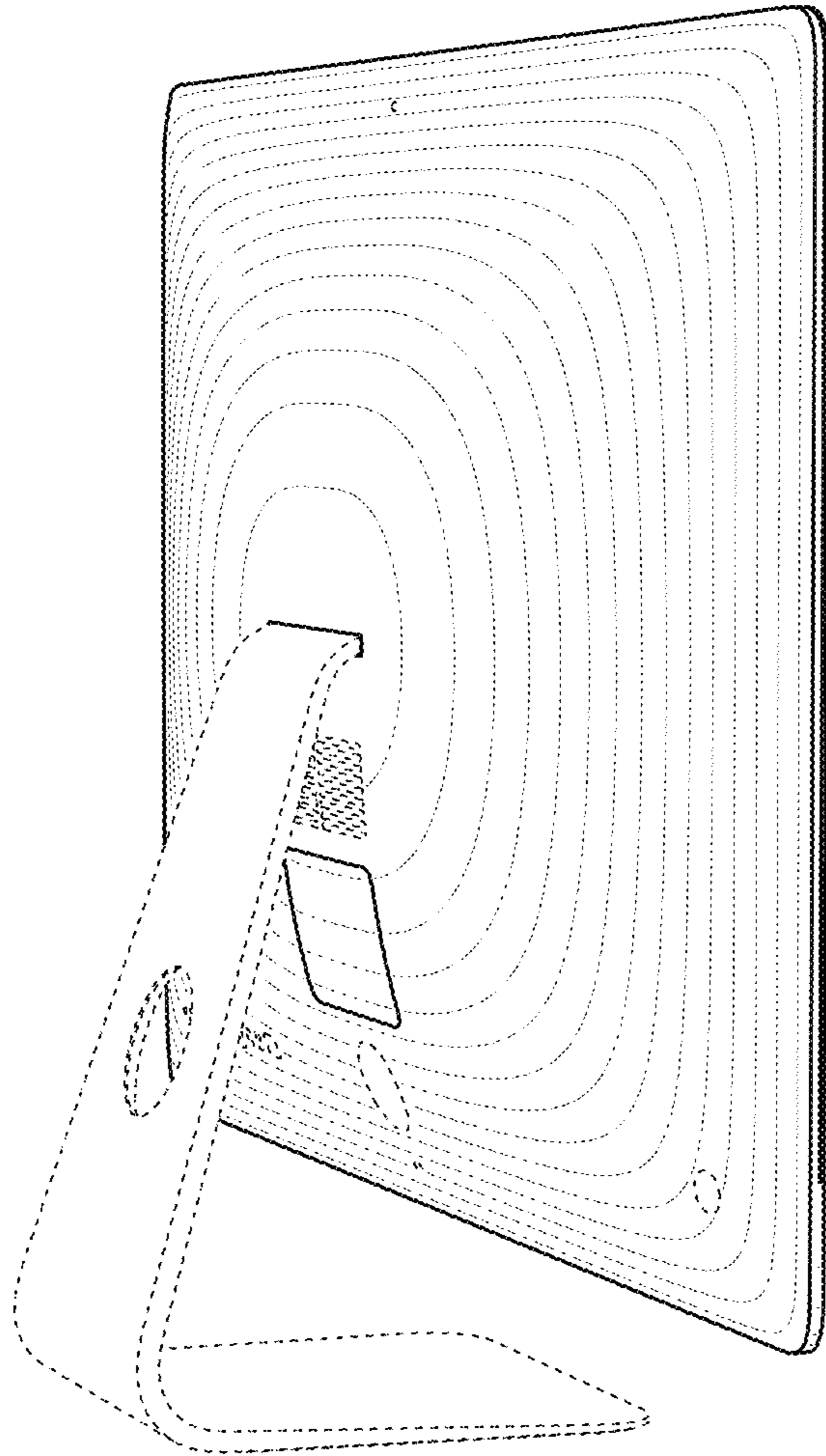


Fig. 12

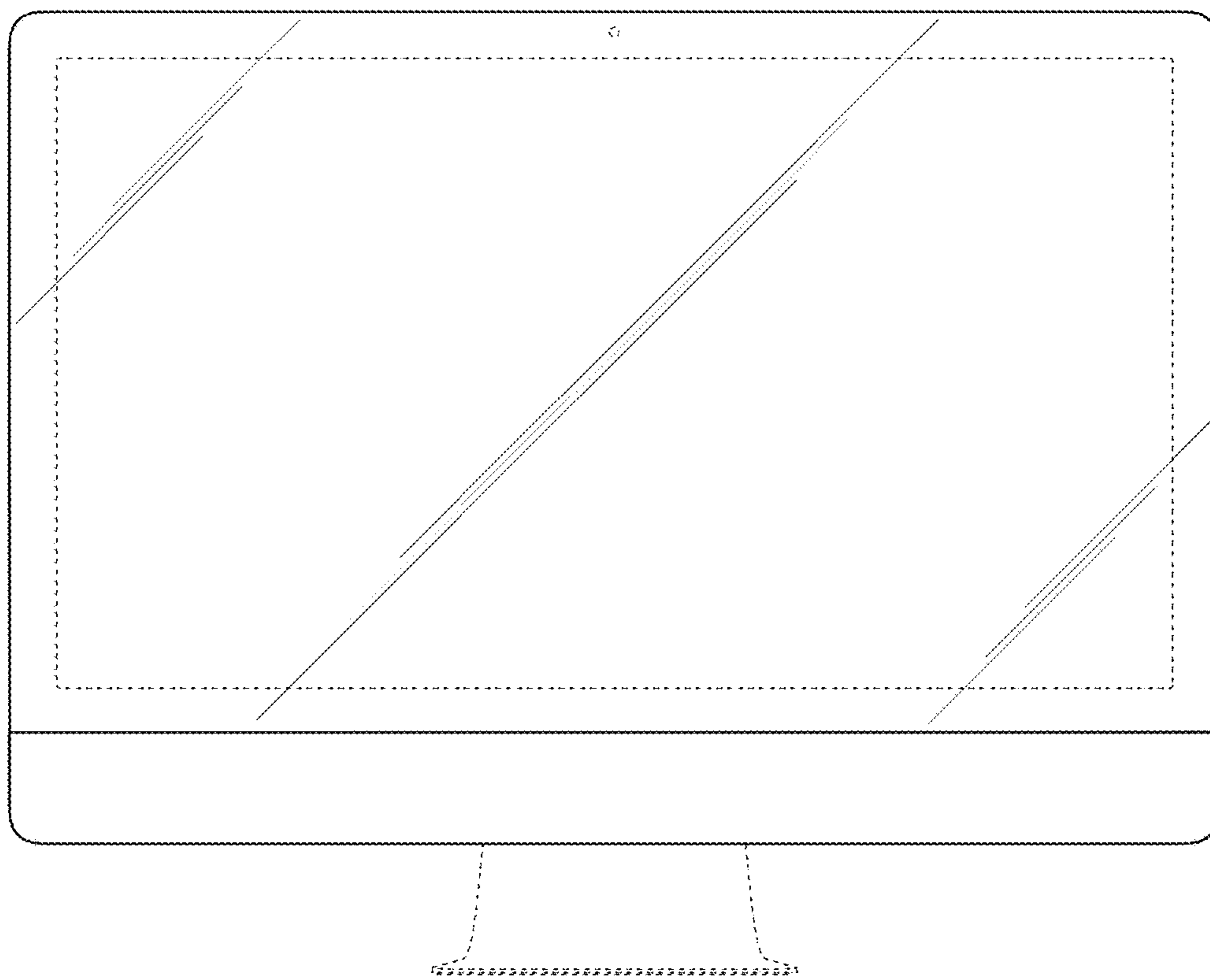


Fig. 13

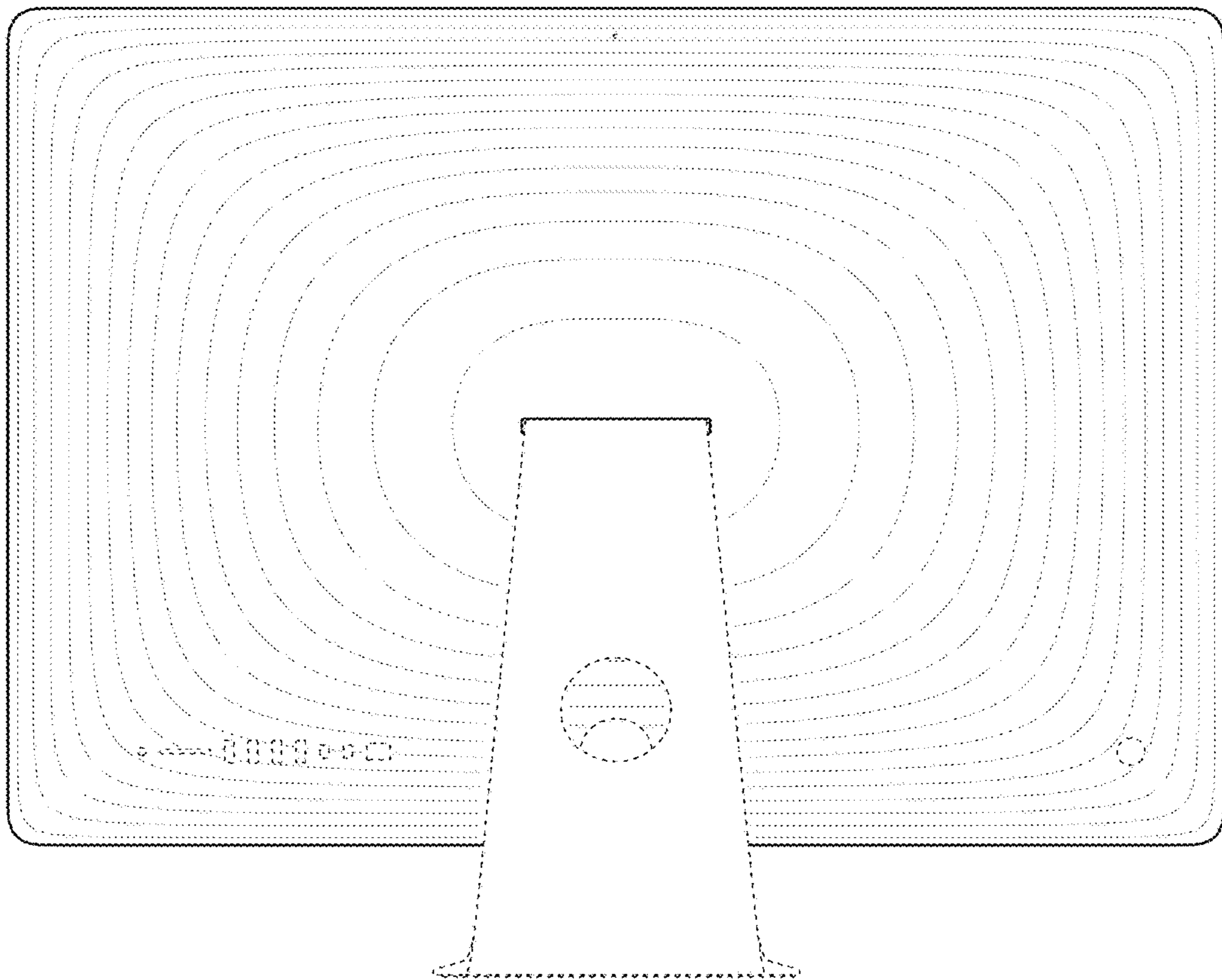


Fig. 14

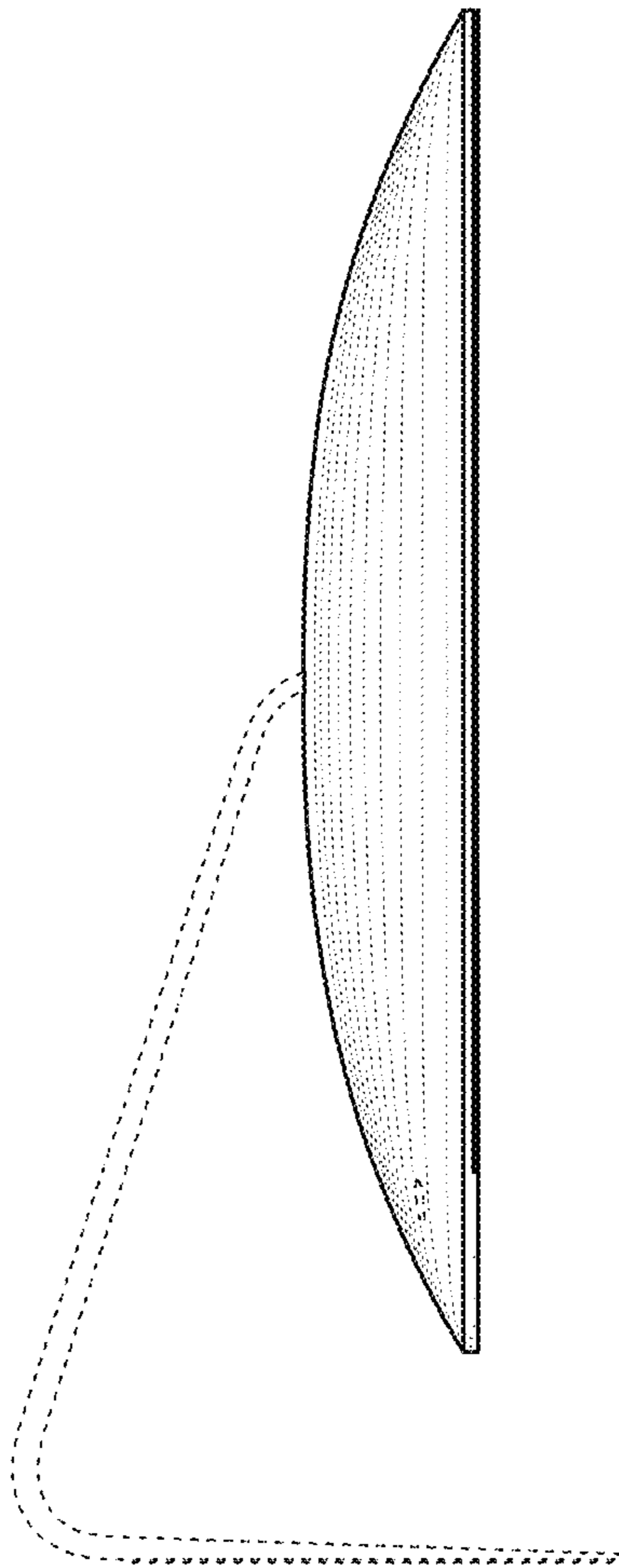


Fig. 15

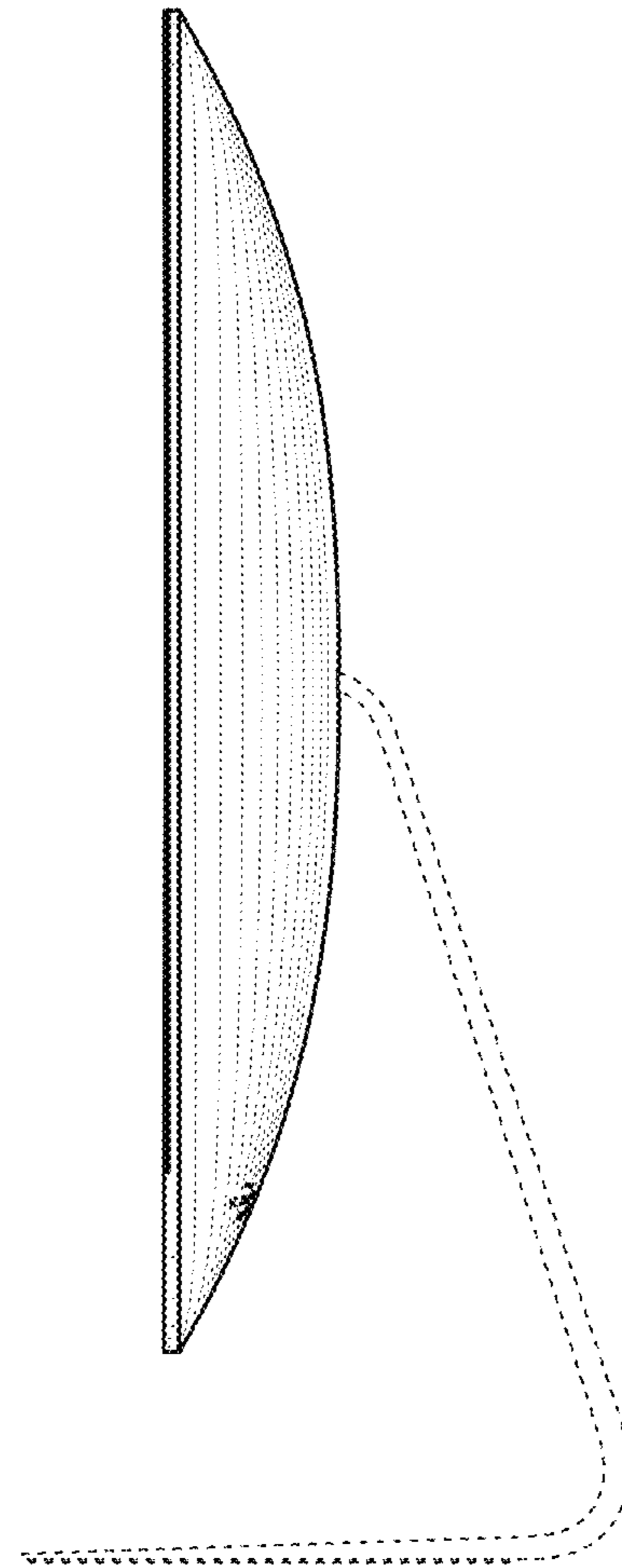


Fig. 16

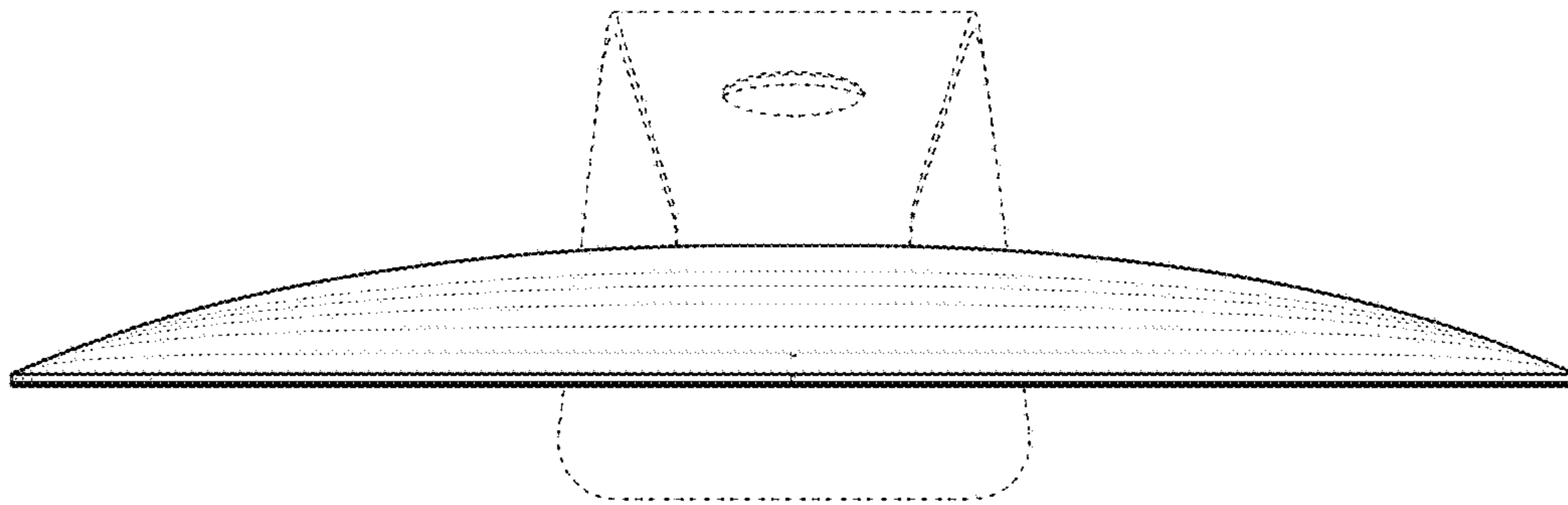


Fig. 17

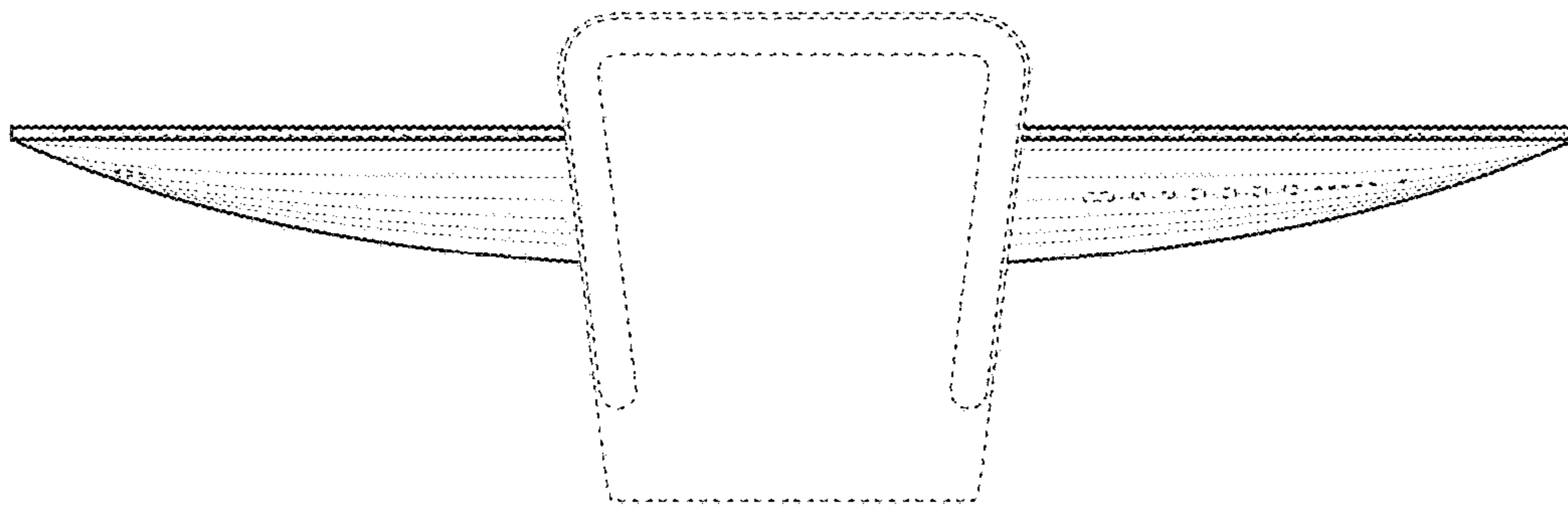


Fig. 18

UNITED STATES PATENT AND TRADEMARK OFFICE
CERTIFICATE OF CORRECTION

PATENT NO. : D829,711 S
APPLICATION NO. : 29/605839
DATED : October 2, 2018
INVENTOR(S) : Jody Akana et al.

Page 1 of 1

It is certified that error appears in the above-identified patent and that said Letters Patent is hereby corrected as shown below:

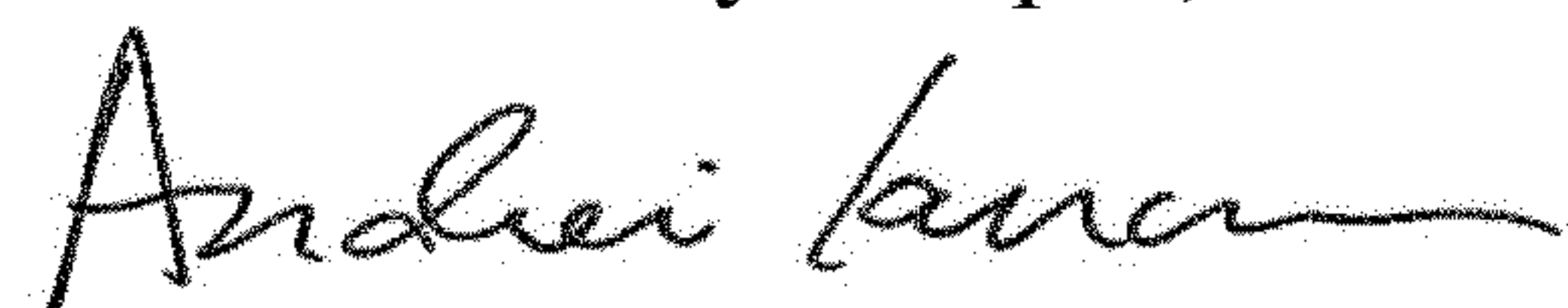
Below reference should be added to:

(56) References cited

U.S. PATENT DOCUMENTS

D766,909 2016-09-20 Andre et al.

Signed and Sealed this
Thirtieth Day of April, 2019



Andrei Iancu
Director of the United States Patent and Trademark Office